

US00D735588S

(12) **United States Design Patent**
Shimunov

(10) **Patent No.:** **US D735,588 S**

(45) **Date of Patent:** **** Aug. 4, 2015**

(54) **COMBINED WATCH BAND AND CASING**

(76) **Inventor:** **Isak Shimunov**, Phoenix, AZ (US)

(**) **Term:** **14 Years**

(21) **Appl. No.:** **29/428,650**

(22) **Filed:** **Aug. 1, 2012**

(51) **LOC (10) Cl.** **10-02**

(52) **U.S. Cl.**
USPC **D10/32; D10/38**

(58) **Field of Classification Search**
USPC D10/30-39, 122-132, 1-29; D11/3;
368/10, 276, 281, 282, 285, 294, 295,
368/296, 297, 319; 63/3, 4, 6, 9; 59/84, 88
CPC G04B 37/00; G04B 37/0008; G04B
37/1486; G04B 37/18; G04B 45/00; G04B
45/0076

See application file for complete search history.

(56) **References Cited**

U.S. PATENT DOCUMENTS

D51,182 S *	8/1917	Lederer	D10/132
D262,692 S *	1/1982	Kurowsky	D10/39
4,825,427 A *	4/1989	Wollman	368/282
D312,791 S *	12/1990	Benoit-Pequignet et al. .	D10/32
D333,621 S *	3/1993	Gradel	D10/30
D380,162 S *	6/1997	Chan et al.	D10/32

D386,979 S *	12/1997	Kubisch	D10/32
D422,933 S *	4/2000	Kahan	D11/3
D447,961 S *	9/2001	Strasser	D10/32
D491,818 S *	6/2004	Chodat	D10/32
D503,901 S *	4/2005	Strasser	D11/3
D517,432 S *	3/2006	Laucella	D10/39
D578,901 S *	10/2008	Laucella	D10/38

* cited by examiner

Primary Examiner — Martie K Holtje

(74) *Attorney, Agent, or Firm* — QuickPatents; Kevin Prince

(57) **CLAIM**

I claim the ornamental design for a combined watch band and casing, as shown and described.

DESCRIPTION

FIG. 1 is a top perspective view of a combined watch band and casing, showing my new design;
 FIG. 2 is a bottom perspective view thereof;
 FIG. 3 is a left-side elevational view thereof;
 FIG. 4 is a right-side elevational view thereof;
 FIG. 5 is a front elevational view thereof, the rear elevational view being a mirror image thereof;
 FIG. 6 is a top plan view thereof; and,
 FIG. 7 is a bottom plan view thereof.
 The broken lines in FIGS. 1 and 6 represent boundaries, the areas within which form no part of the claimed design.

1 Claim, 4 Drawing Sheets





FIG. 1



FIG. 2

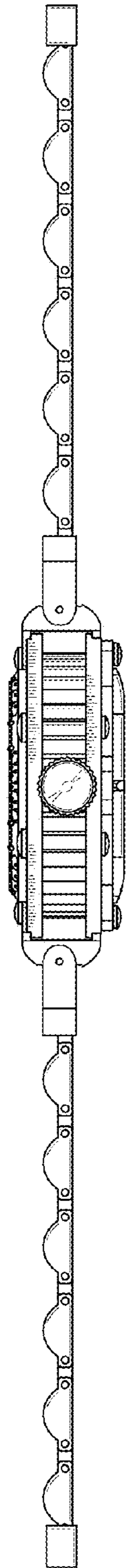


FIG. 3

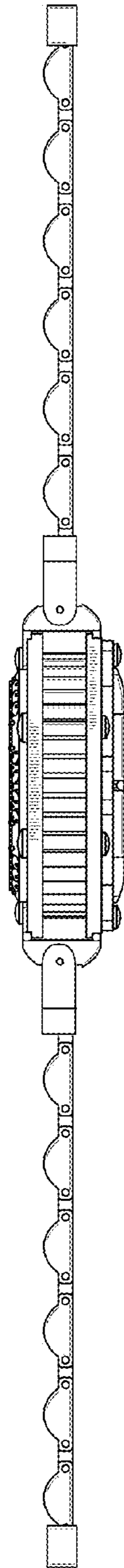


FIG. 4

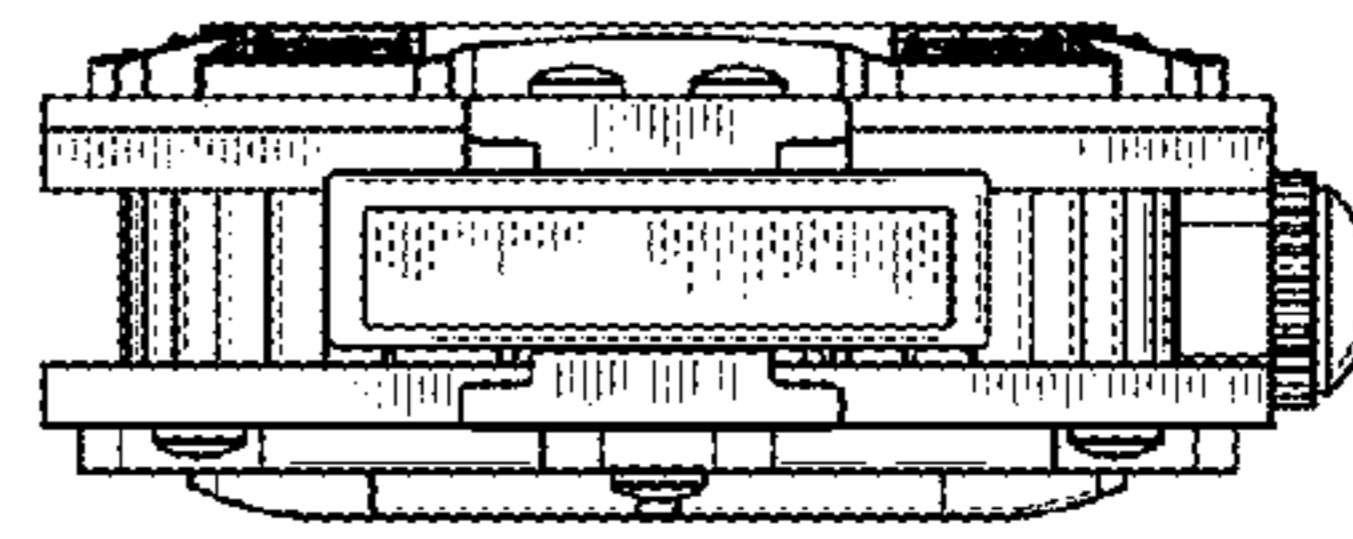


FIG. 5

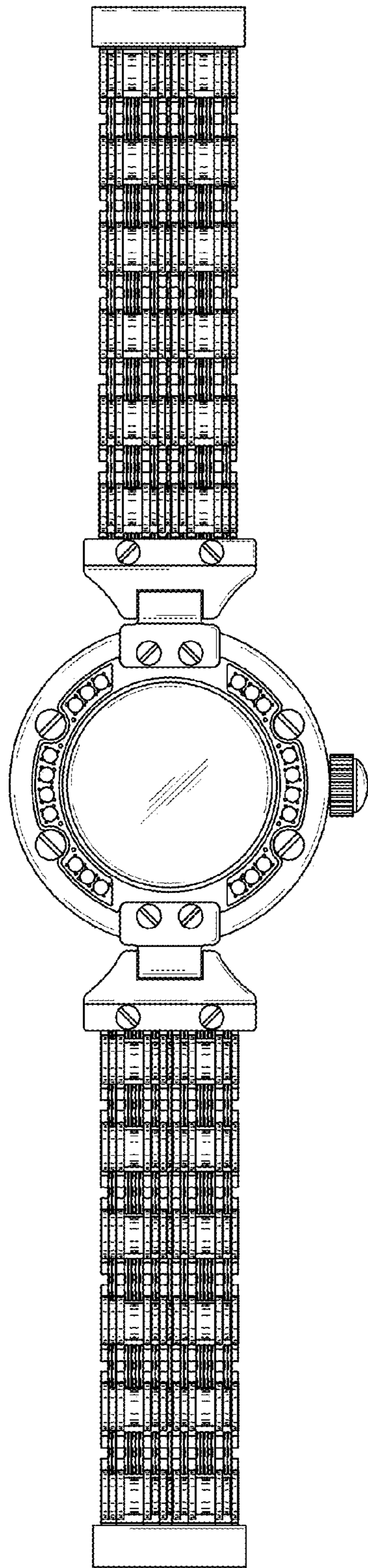


FIG. 6

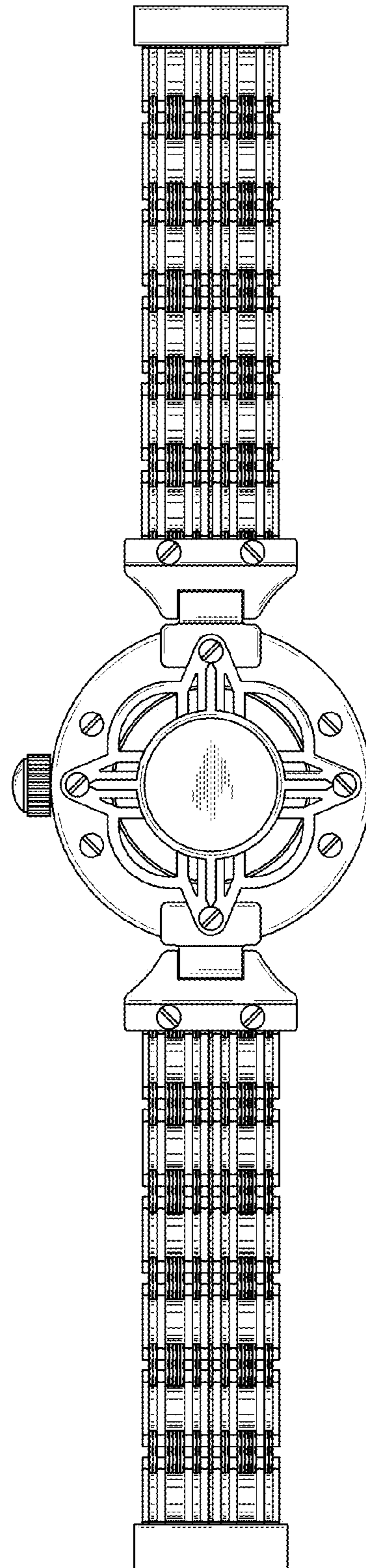


FIG. 7