



US00D735586S

(12) **United States Design Patent**  
**Stegmann**

(10) **Patent No.:** **US D735,586 S**

(45) **Date of Patent:** **\*\* Aug. 4, 2015**

(54) **WATCH CASE**

(71) Applicant: **GLASHÜTTER UHRENBETRIEB GmbH**, Glashütte (DE)

(72) Inventor: **Katharina Stegmann**, Paulsdorf (DE)

(73) Assignee: **GLASHÜTTER UHRENBETRIEB GMBH**, Glashütte (DE)

(\*\*) Term: **14 Years**

(21) Appl. No.: **29/497,992**

(22) Filed: **Jul. 30, 2014**

(30) **Foreign Application Priority Data**

Jan. 30, 2014 (WO) ..... DM/082 768

(51) **LOC (10) Cl.** ..... **10-02**

(52) **U.S. Cl.**  
USPC ..... **D10/30; D10/38**

(58) **Field of Classification Search**  
USPC ..... D10/30-39, 1-29, 122-132  
CPC ..... G04B 19/24; G04B 19/241; G04B 19/26;  
G04B 37/00; G04B 37/0008; G04B 37/0058;  
G04B 45/00; G04B 45/0069  
See application file for complete search history.

(56) **References Cited**

**U.S. PATENT DOCUMENTS**

D244,433 S \* 5/1977 Banks ..... D10/38  
D269,952 S \* 8/1983 Uchihori et al. .... D10/38  
D354,444 S \* 1/1995 Pandel ..... D10/30

D396,646 S \* 8/1998 Fujihara et al. .... D10/30  
D451,405 S \* 12/2001 Yoshikawa et al. .... D10/30  
D459,236 S \* 6/2002 Haquet ..... D10/30  
D474,696 S \* 5/2003 Takahashi ..... D10/30  
D489,272 S \* 5/2004 Messmer ..... D10/38  
D523,357 S \* 6/2006 Kummer ..... D10/38  
D531,524 S \* 11/2006 Behling ..... D10/38  
D546,714 S \* 7/2007 Goto et al. .... D10/38  
D566,582 S \* 4/2008 Genender et al. .... D10/38  
D581,815 S \* 12/2008 Gopp ..... D10/38  
D588,941 S \* 3/2009 Fasciano ..... D10/38  
D617,212 S \* 6/2010 Behling ..... D10/38

\* cited by examiner

*Primary Examiner* — Martie K Holtje

(74) *Attorney, Agent, or Firm* — Donald J. Ranft; Kristen A. Mogavero; Collen IP

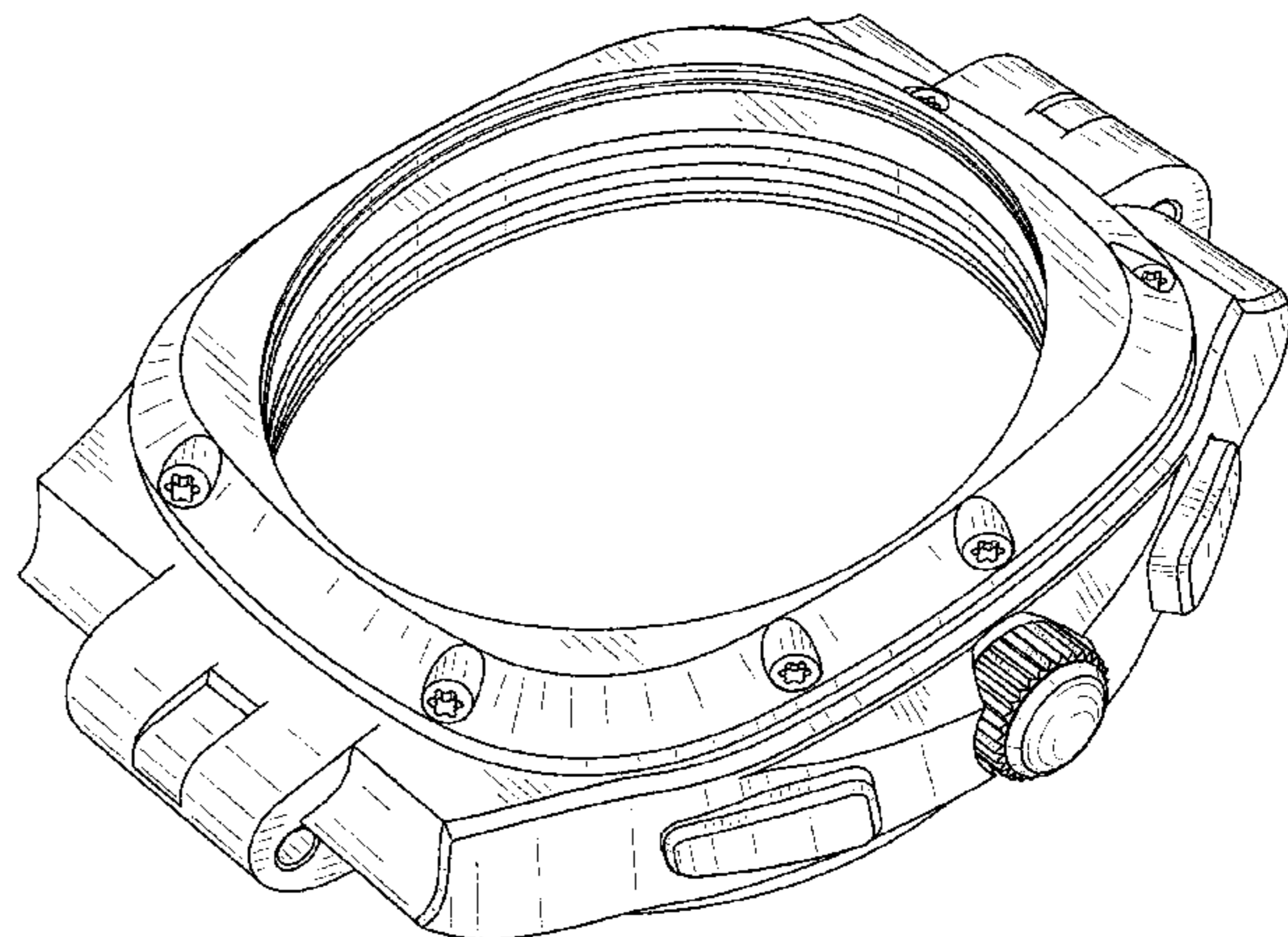
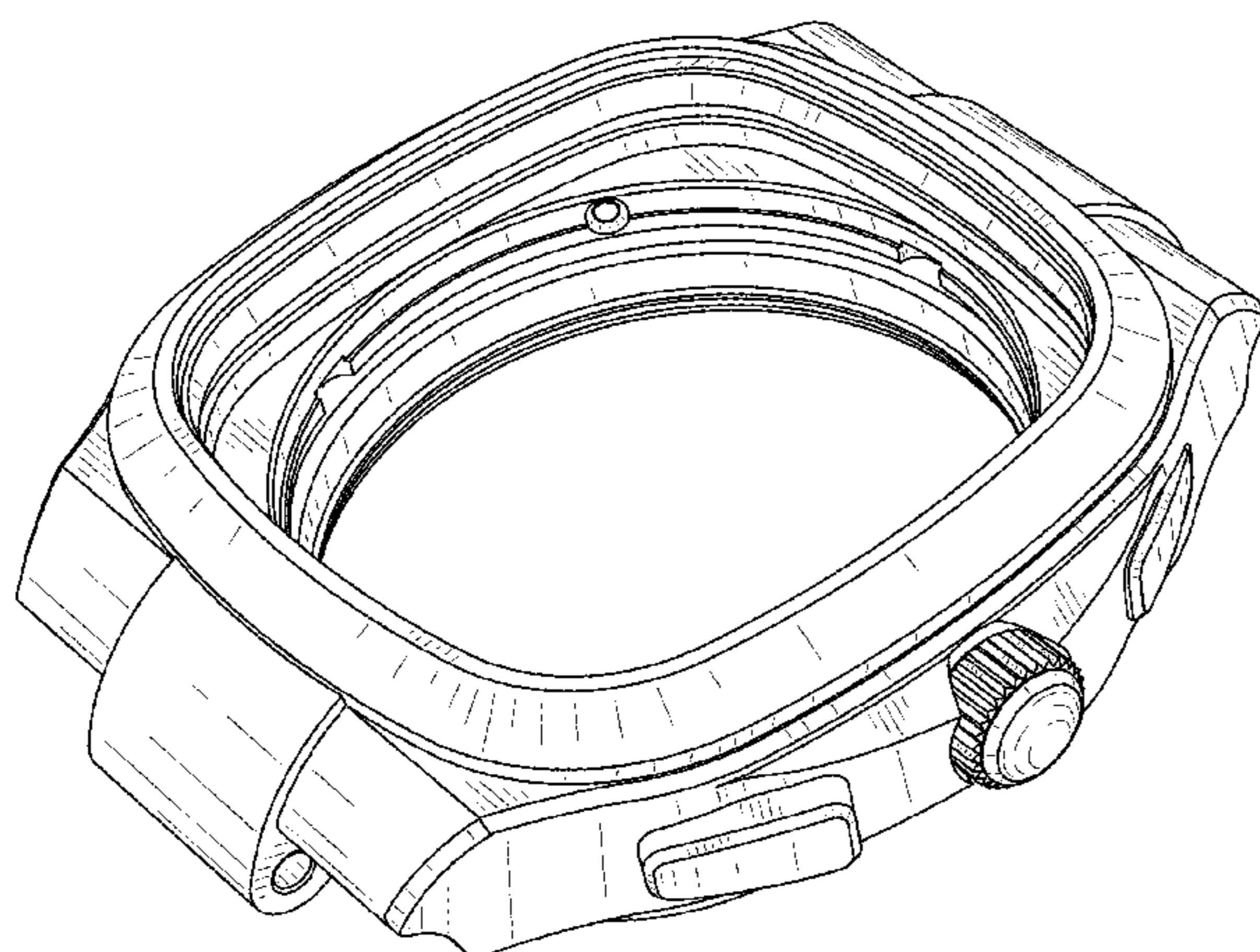
(57) **CLAIM**

The ornamental design for a watch case, as shown.

**DESCRIPTION**

FIG. 1 is a front right perspective view of a watch case showing my new design;  
FIG. 2 is a front view thereof;  
FIG. 3 is a rear view thereof;  
FIG. 4 is a left side view thereof;  
FIG. 5 is a right side view thereof;  
FIG. 6 is a top view thereof;  
FIG. 7 is a bottom view thereof;  
FIG. 8 is a front left perspective view thereof;  
FIG. 9 is a rear right perspective view thereof; and,  
FIG. 10 is a rear left perspective view thereof.

**1 Claim, 7 Drawing Sheets**



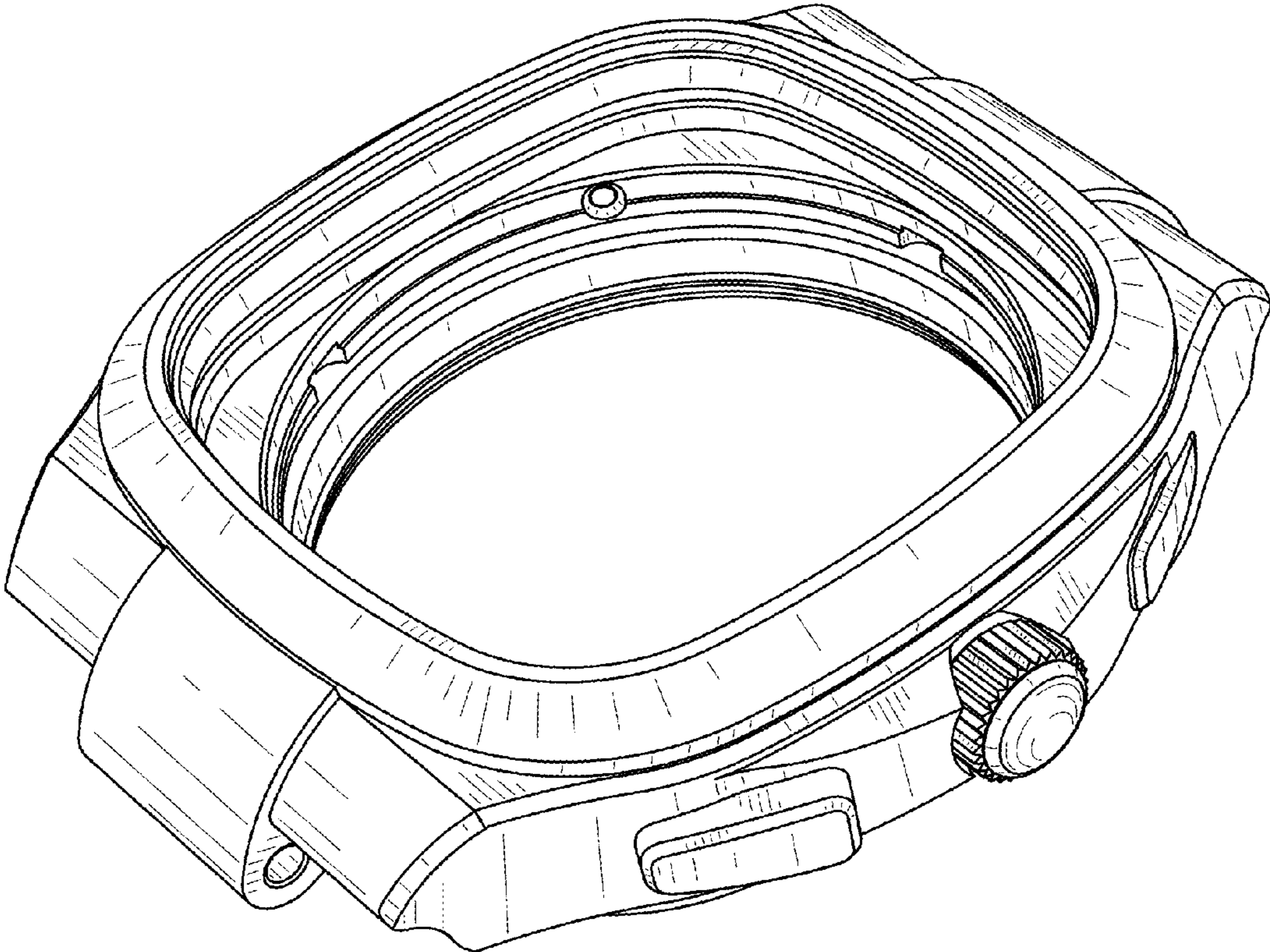


FIG. 1

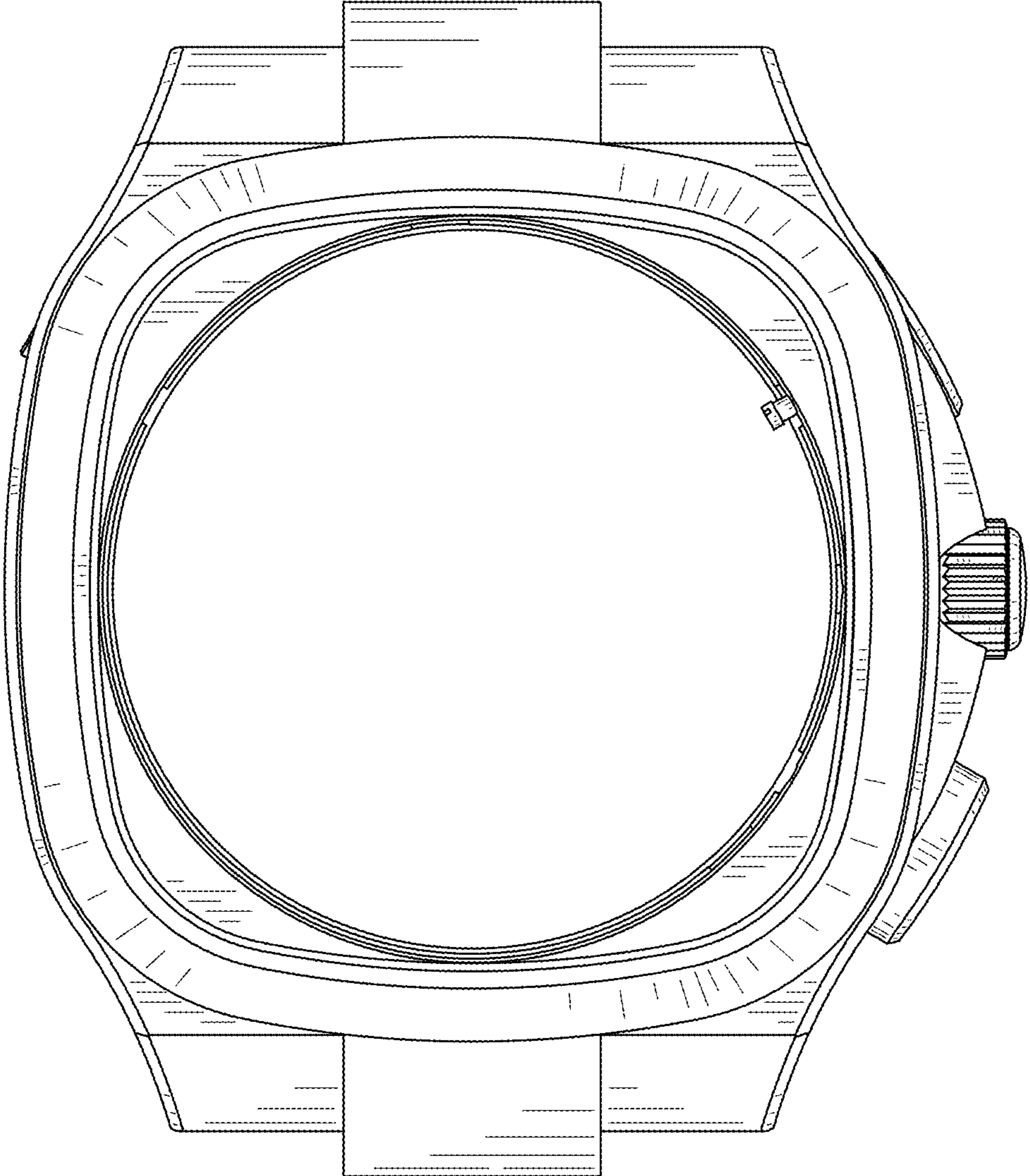


FIG. 2

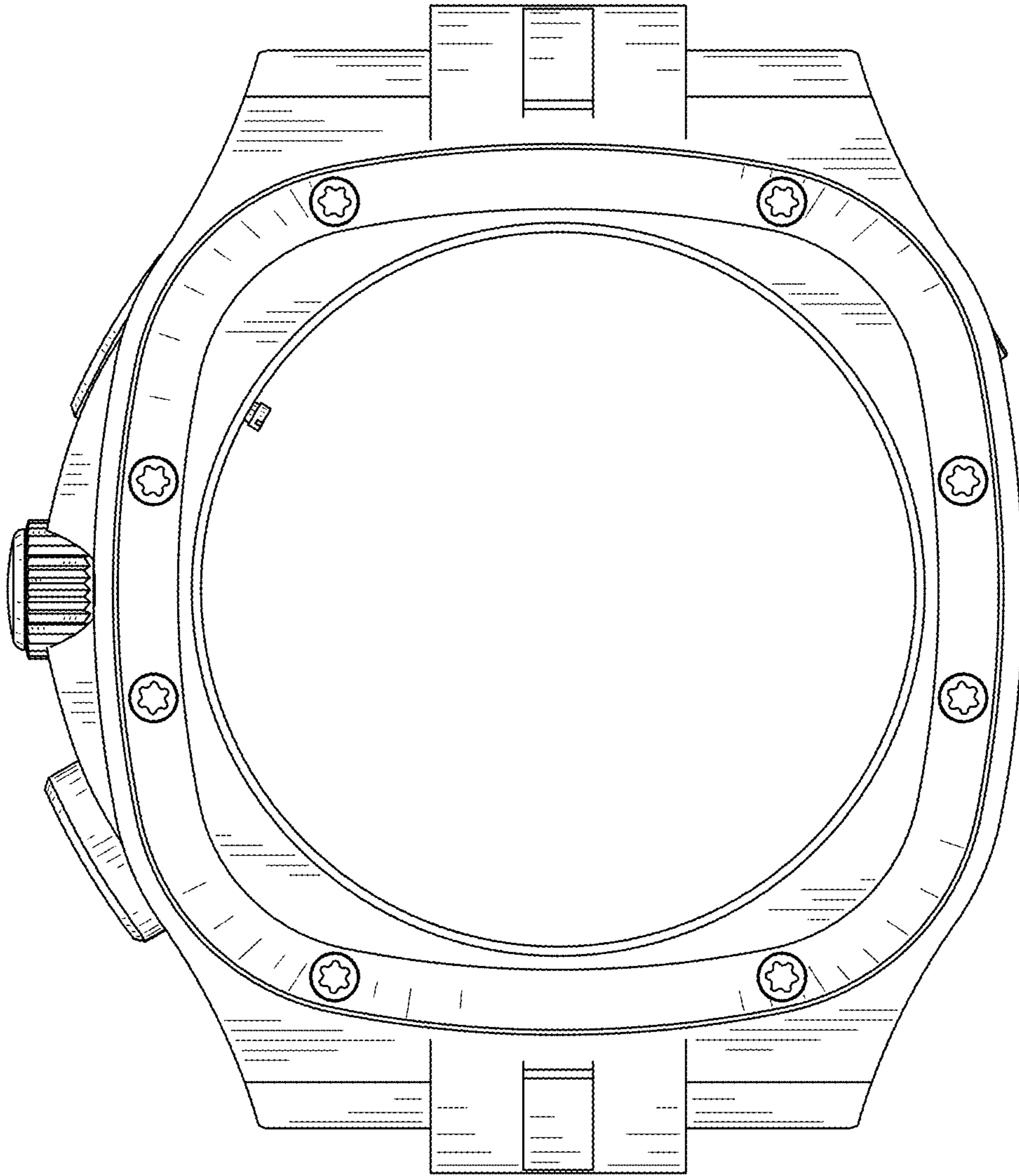


FIG. 3

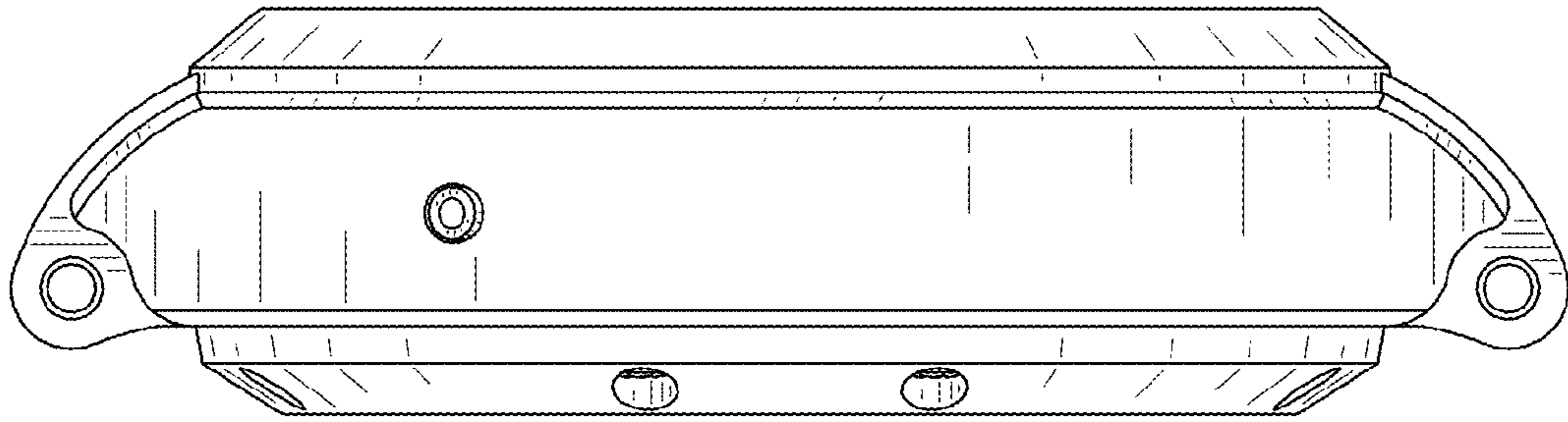


FIG. 4

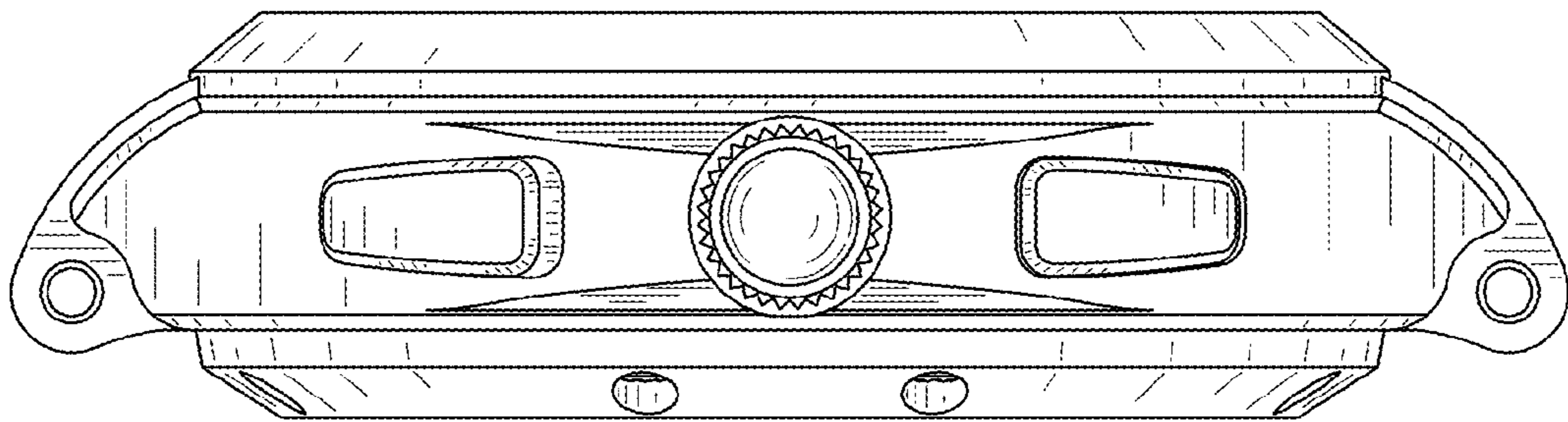


FIG. 5

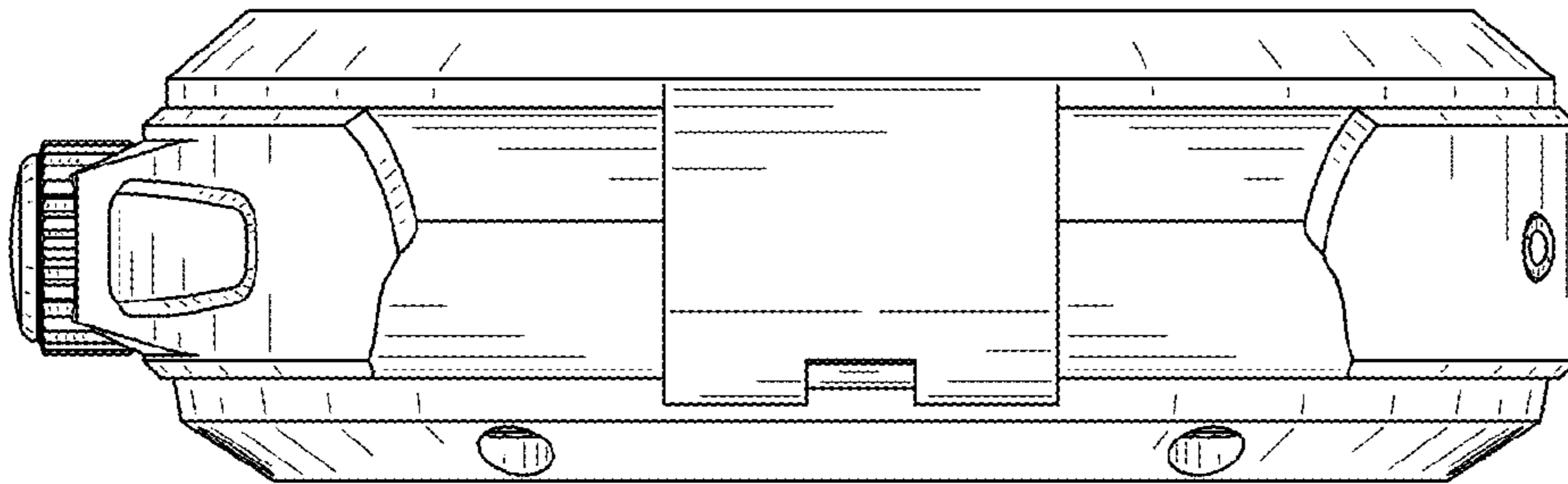


FIG. 6

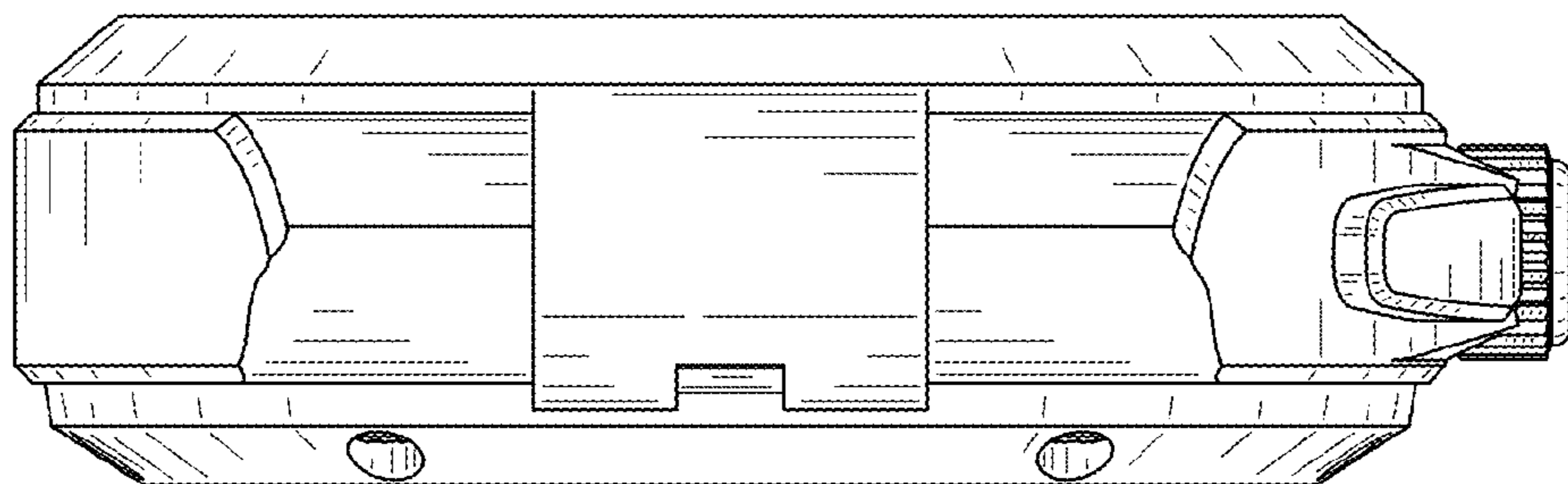


FIG. 7

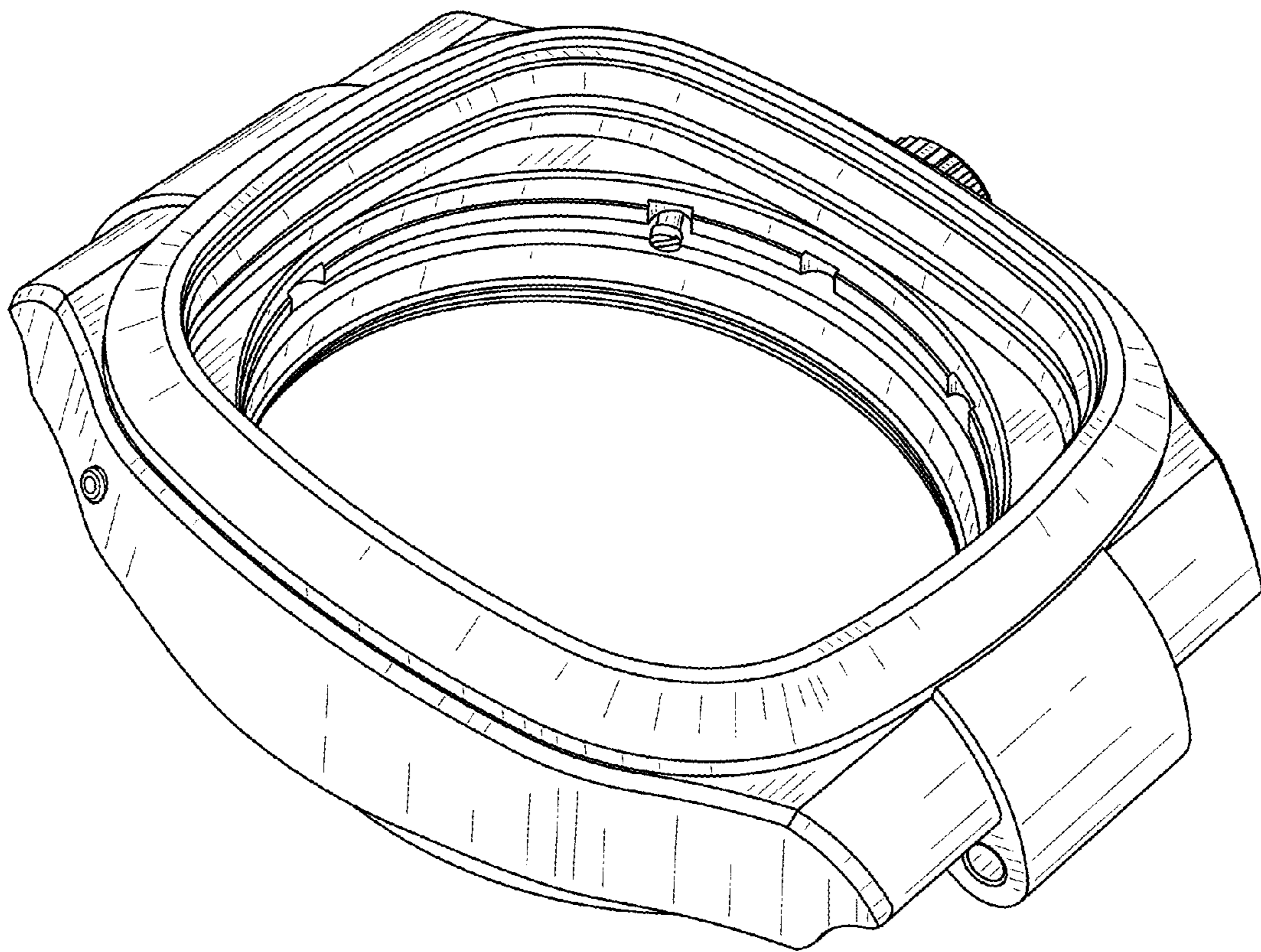


FIG. 8

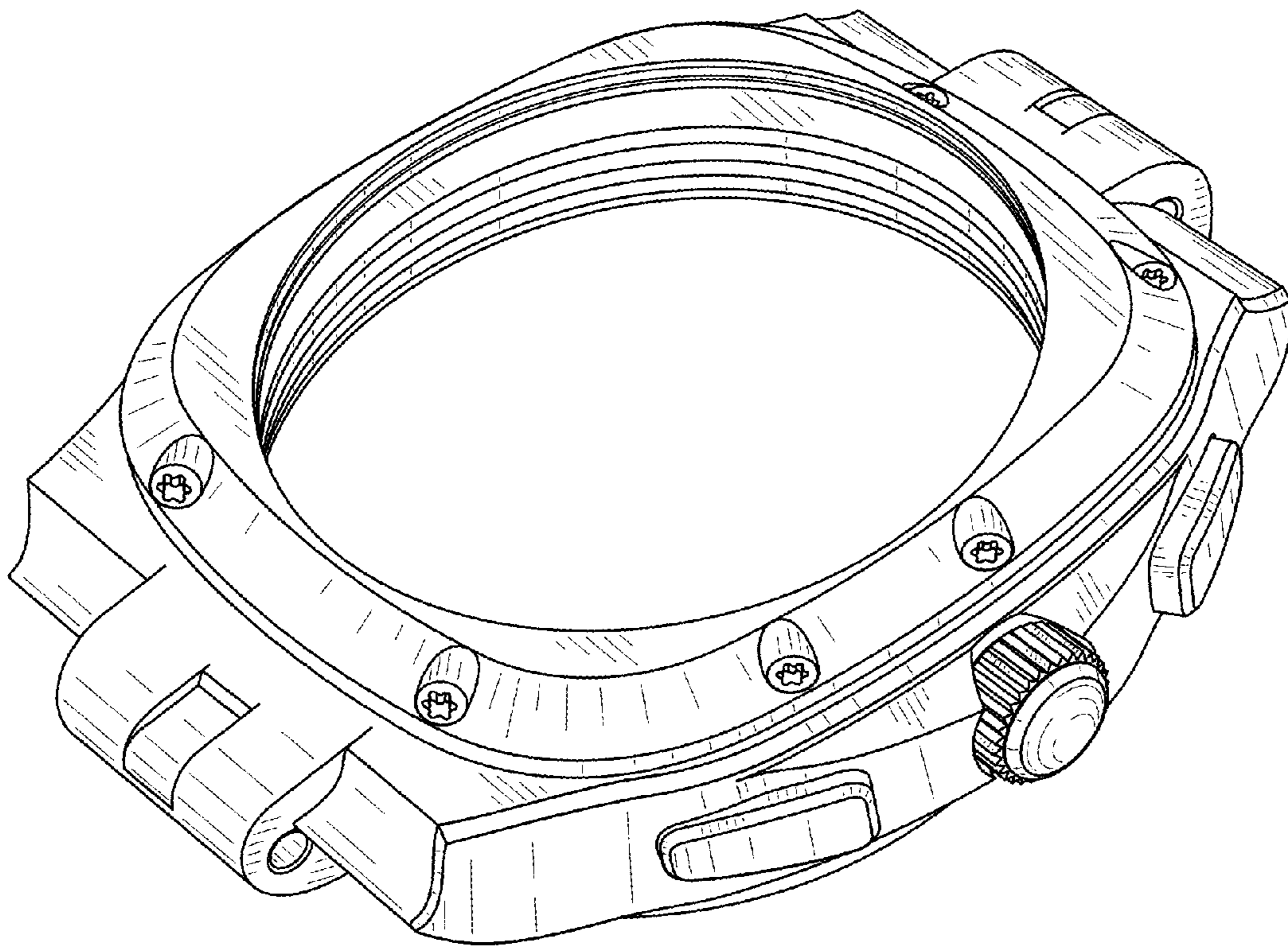


FIG. 9

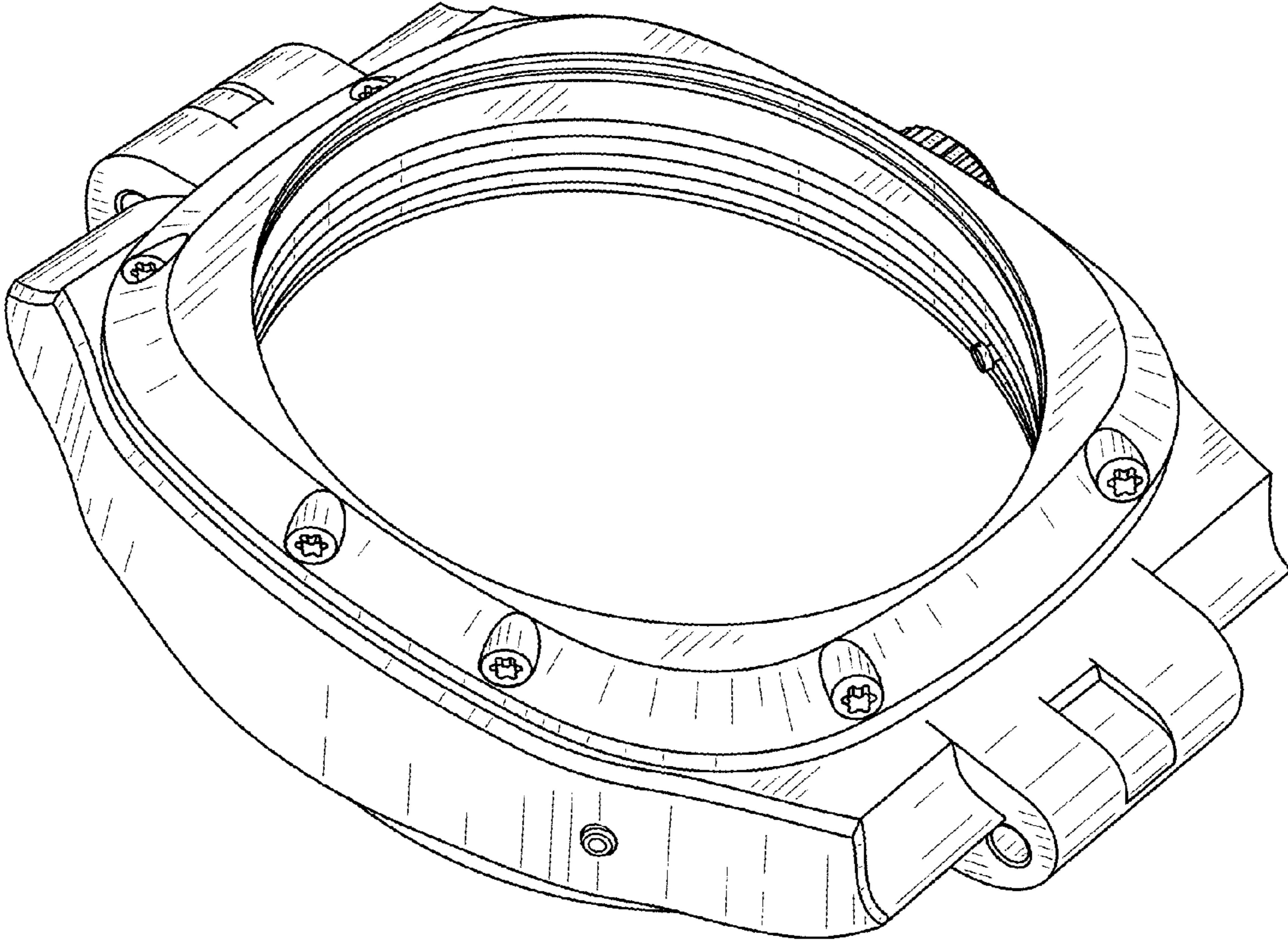


FIG. 10