



US00D735585S

(12) **United States Design Patent**
Tayara

(10) **Patent No.:** **US D735,585 S**
(45) **Date of Patent:** **** Aug. 4, 2015**

- (54) **EGG CARTON**
- (71) Applicant: **Global Plastics, Inc.**, Perris, CA (US)
- (72) Inventor: **Tarek Tayara**, Temecula, CA (US)
- (73) Assignee: **GLOBAL PLASTICS, INC.**, Perris, CA (US)
- (**) Term: **14 Years**
- (21) Appl. No.: **29/515,721**
- (22) Filed: **Jan. 26, 2015**
- (51) **LOC (10) Cl.** **09-03**
- (52) **U.S. Cl.**
USPC **D9/762; D9/757**
- (58) **Field of Classification Search**
USPC **D9/762, 757, 737, 761, 420, 425, 426, D9/456; D7/611; 220/508; 206/564, 406, 206/521, 521.1, 521.15, 521.3, 521.6, 206/521.8, 521.4, 521.9**
See application file for complete search history.

D274,790	S	*	7/1984	Bixler et al.	D9/757
4,609,141	A		9/1986	Lake		
4,625,905	A	*	12/1986	Mangla	206/521.1
4,657,173	A		4/1987	Lake		
4,742,953	A	*	5/1988	Jacobs et al.	206/521.1
4,795,080	A		1/1989	McIntyre		
D305,405	S	*	1/1990	Wilkinson	D9/758
D306,138	S	*	2/1990	Congleton et al.	D9/757
5,927,501	A	*	7/1999	Herbruck	206/541
D466,802	S	*	12/2002	Davkovski	D9/757
7,255,231	B2	*	8/2007	Andrews et al.	206/521.1
7,353,951	B2	*	4/2008	Vovan	206/521.8
7,766,169	B2		8/2010	St-Onge		
D632,974	S	*	2/2011	Dijkstra et al.	D9/757

(Continued)

Primary Examiner — Mark Goodwin
(74) *Attorney, Agent, or Firm* — Cisko & Thomas, LLP

(57) **CLAIM**
The ornamental design for an egg carton, as shown and described.

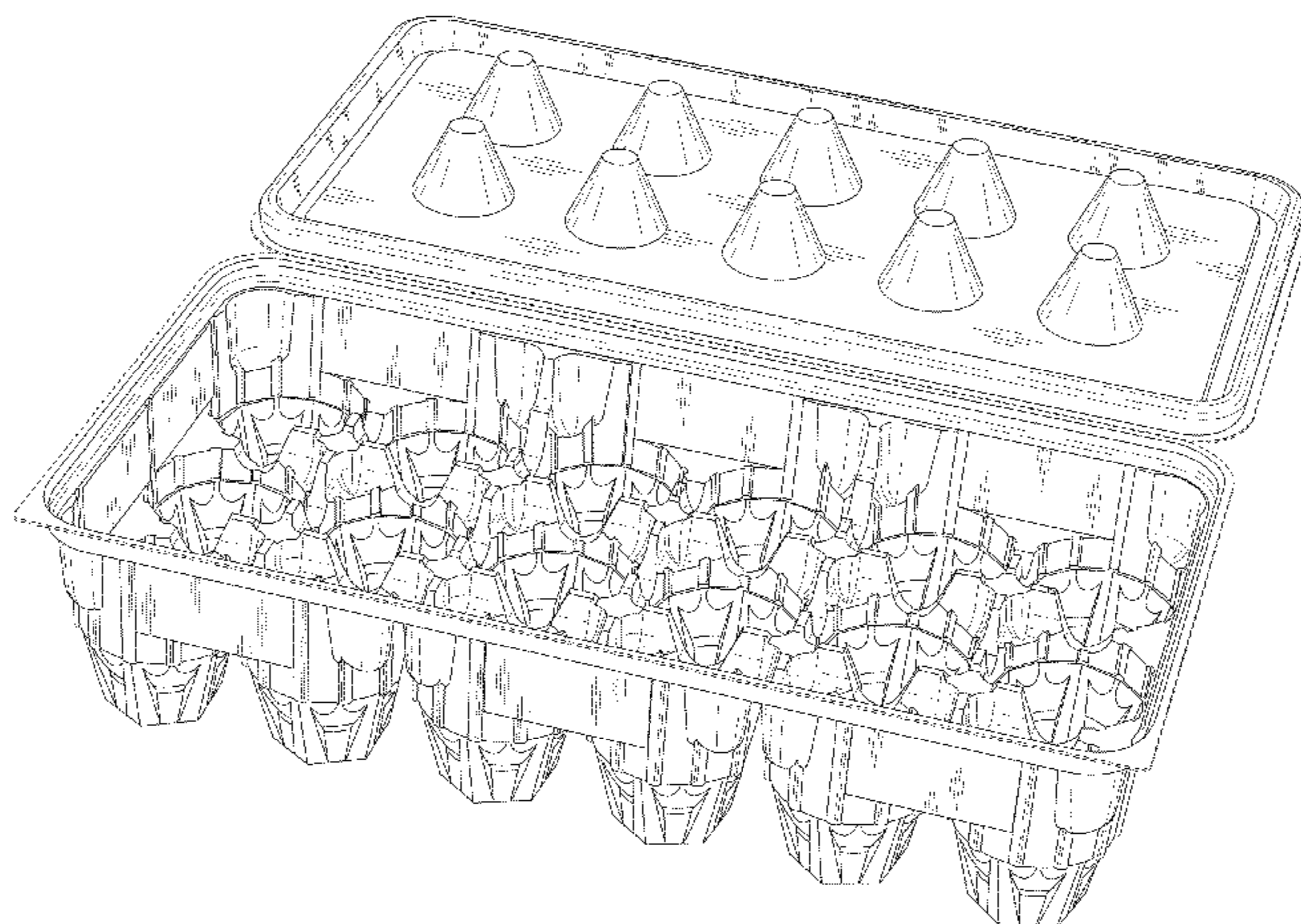
DESCRIPTION

FIG. 1 is a perspective view of my egg carton in an open configuration;
 FIG. 2 is a front view thereof;
 FIG. 3 is a rear view thereof;
 FIG. 4 is a left side view thereof;
 FIG. 5 is a right side view thereof;
 FIG. 6 is a top view thereof; and
 FIG. 7 is a bottom view thereof;
 FIG. 8 is a perspective view of the egg carton shown in FIG. 1 in a closed configuration;
 FIG. 9 is a front view thereof;
 FIG. 10 is a rear view thereof;
 FIG. 11 is a left side view thereof;
 FIG. 12 is a right side view thereof;
 FIG. 13 is a top view thereof; and,
 FIG. 14 is a bottom view thereof.
 The broken line portions of the disclosure form no part of the claimed design.

1 Claim, 9 Drawing Sheets

(56) **References Cited**
U.S. PATENT DOCUMENTS

2,285,129	A	6/1942	Schwartzberg	
2,560,847	A	7/1951	Chaplin	
2,591,446	A	4/1952	Lennon	
3,144,972	A	8/1964	Hartmann et al.	
3,362,605	A	1/1968	Bixler	
3,458,108	A	7/1969	Howarth et al.	
3,471,078	A	10/1969	Seest et al.	
3,603,499	A	9/1971	Snow	
3,645,436	A	*	2/1972	Boyd et al. 206/521.1
3,661,317	A	5/1972	Noguchi	
3,664,574	A	5/1972	Pearl et al.	
3,779,370	A	12/1973	Snow et al.	
3,813,027	A	5/1974	Misdorn, Jr. et al.	
3,908,891	A	9/1975	Jackson	
4,059,219	A	*	11/1977	Reifers et al. 206/521.1
4,352,427	A	10/1982	Lake	
4,448,344	A	5/1984	Lord et al.	



(56)

References Cited

U.S. PATENT DOCUMENTS

D632,975 S *	2/2011	Dijkstra et al.	D9/757	2006/0060493 A1 *	3/2006	Marshall	206/521.1
D632,976 S *	2/2011	Dijkstra et al.	D9/757	2010/0187150 A1 *	7/2010	Dijkstra et al.	206/521.1
D632,977 S *	2/2011	Dijkstra et al.	D9/757	2011/0233100 A1 *	9/2011	Attard	206/521.15
D689,376 S	9/2013	Von Der Ahe		2013/0020224 A1 *	1/2013	Ramirez et al.	206/521.8
8,695,803 B2	4/2014	Blanchette et al.		2013/0048527 A1 *	2/2013	Ramirez et al.	206/521.1
2005/0178689 A1 *	8/2005	Aardema et al.	206/521	2013/0048528 A1	2/2013	Ramirez et al.	
				2013/0126384 A1	5/2013	Ogg	
				2013/0183412 A1 *	7/2013	Ramirez et al.	426/119

* cited by examiner

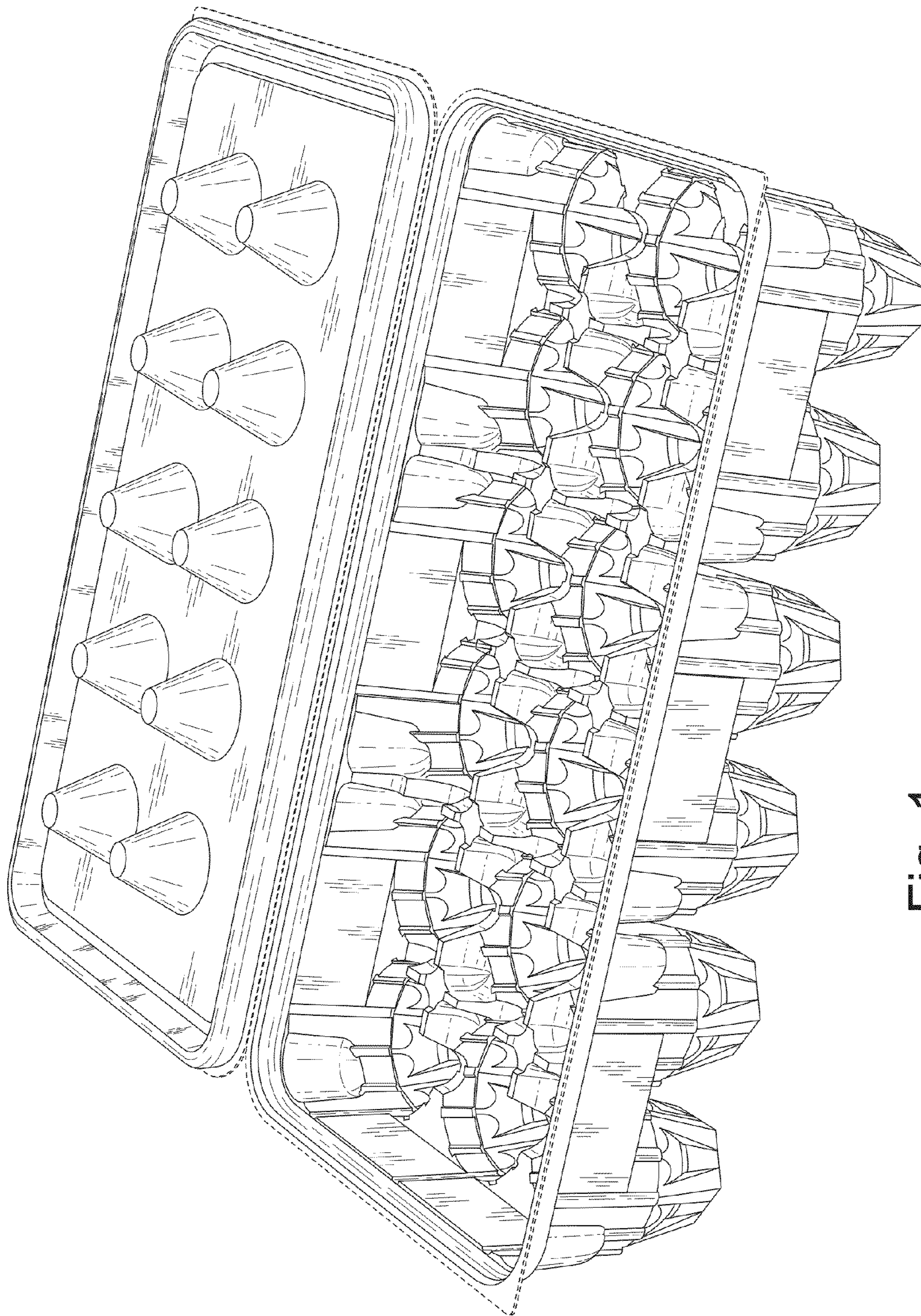


Fig. 1

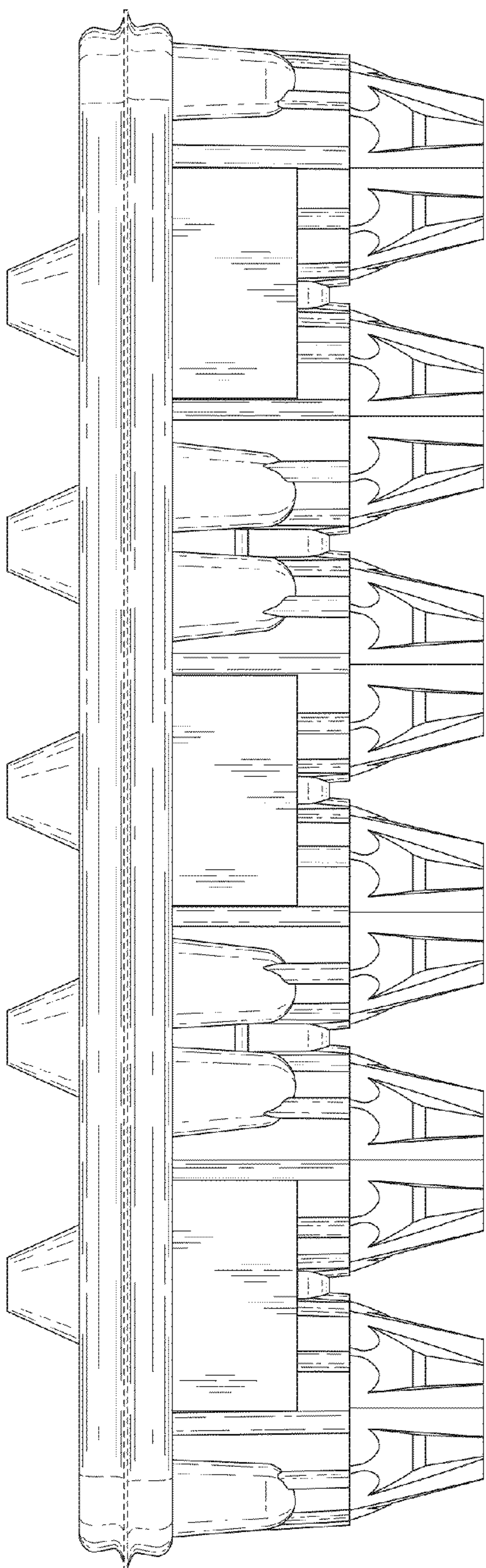


Fig. 2

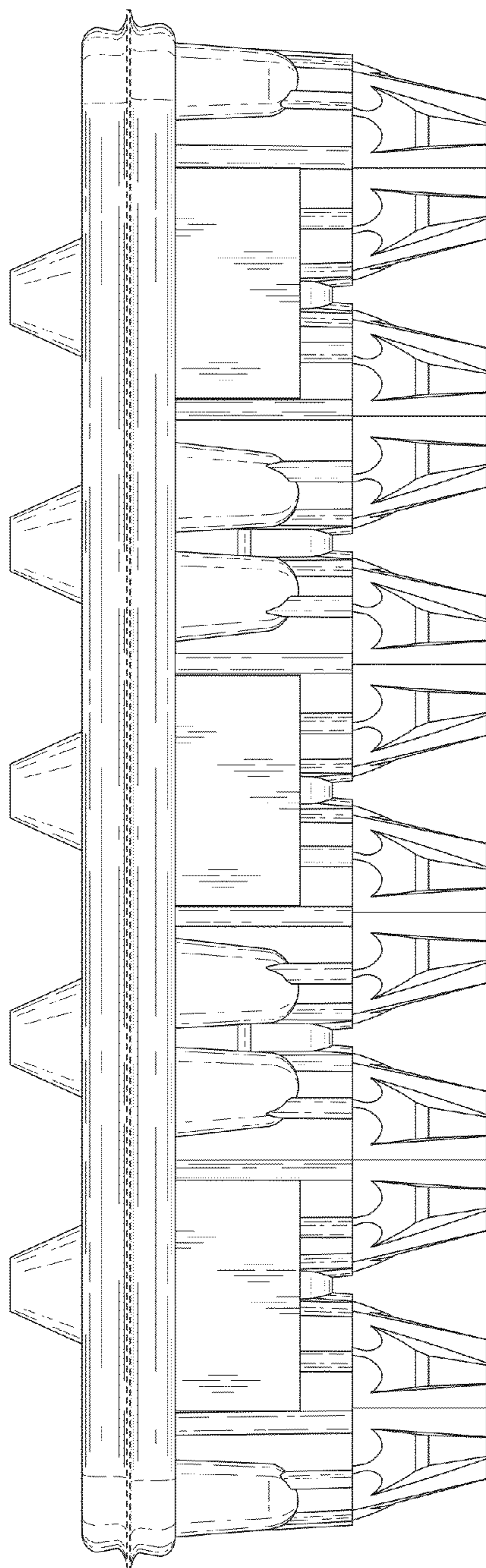


Fig. 3

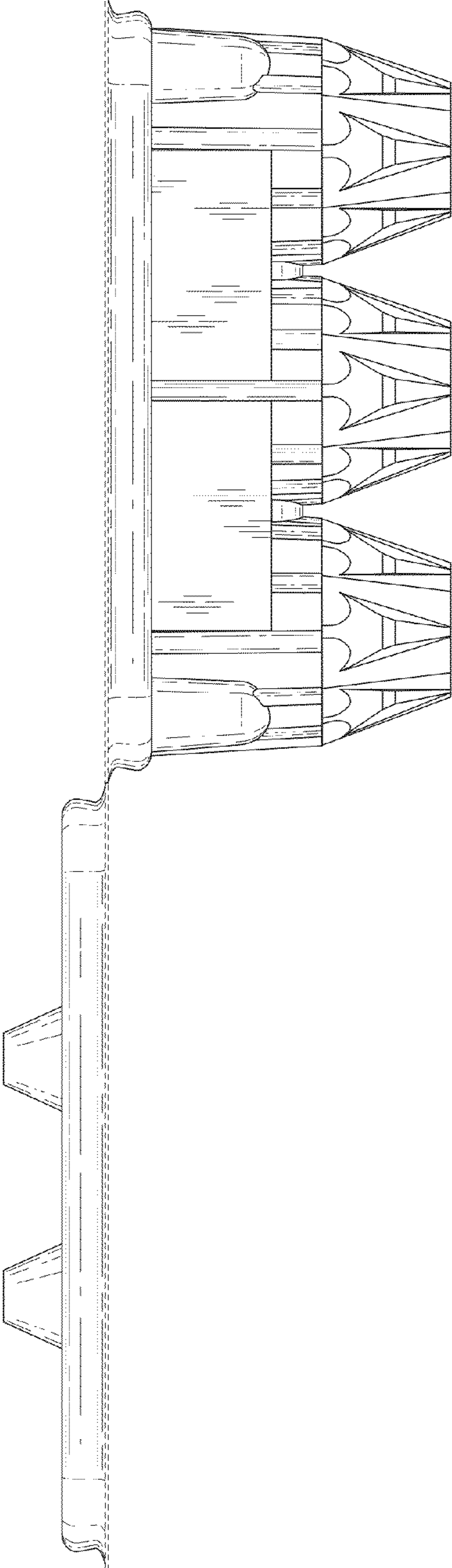


Fig. 4

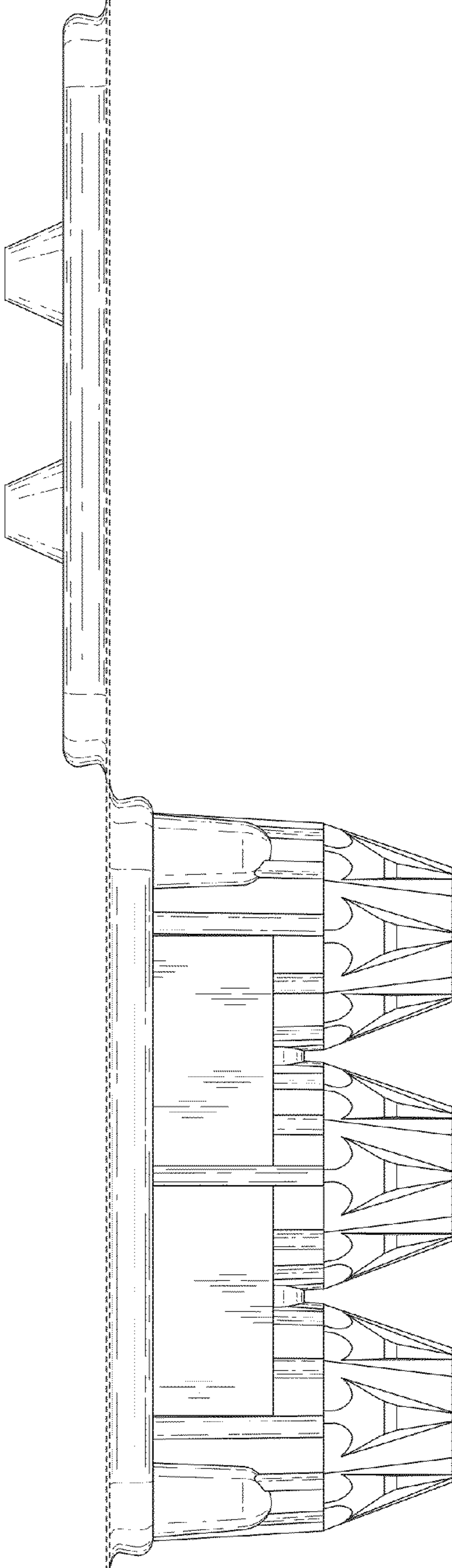


Fig. 5

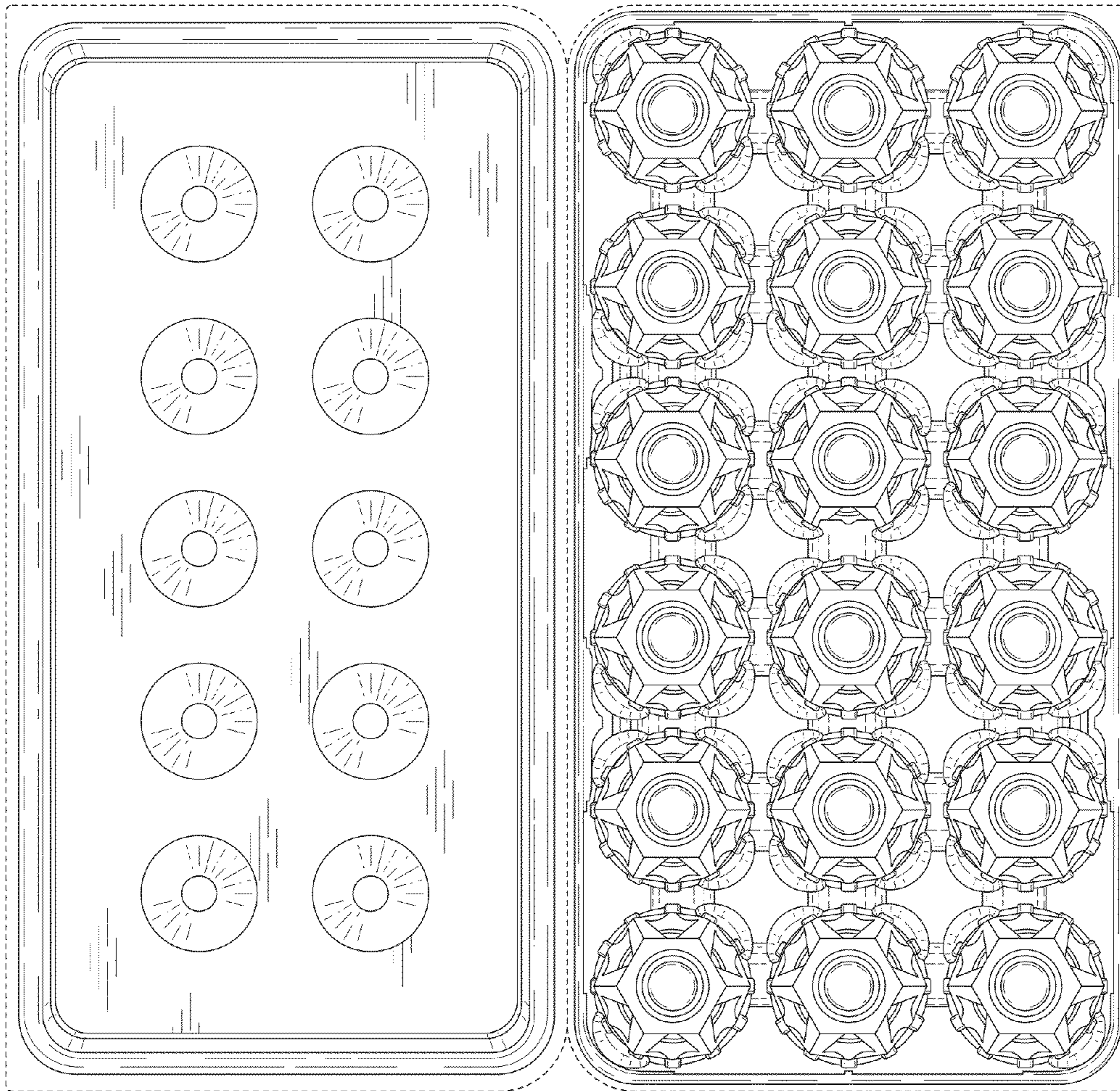


Fig. 6

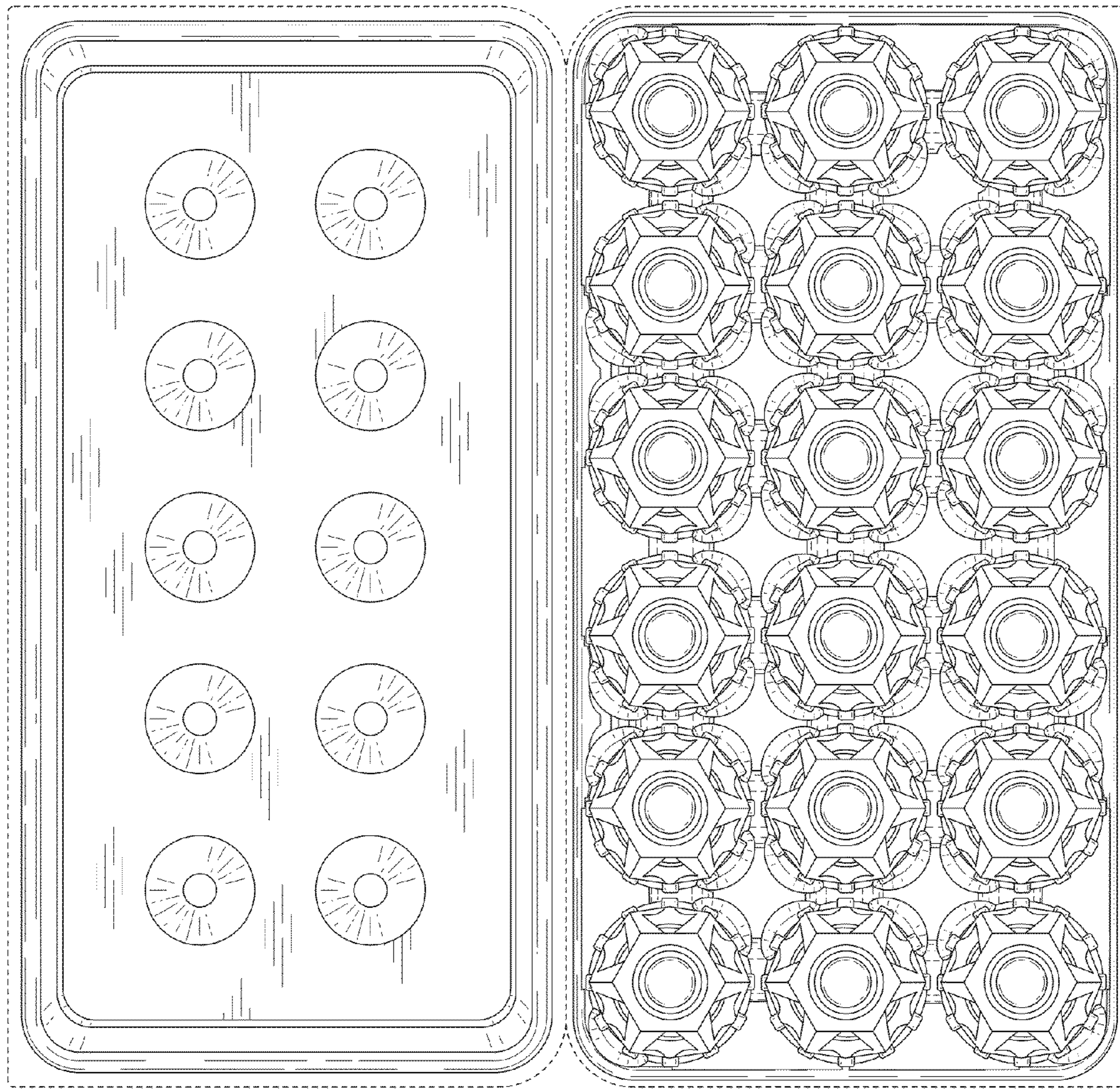


Fig. 7

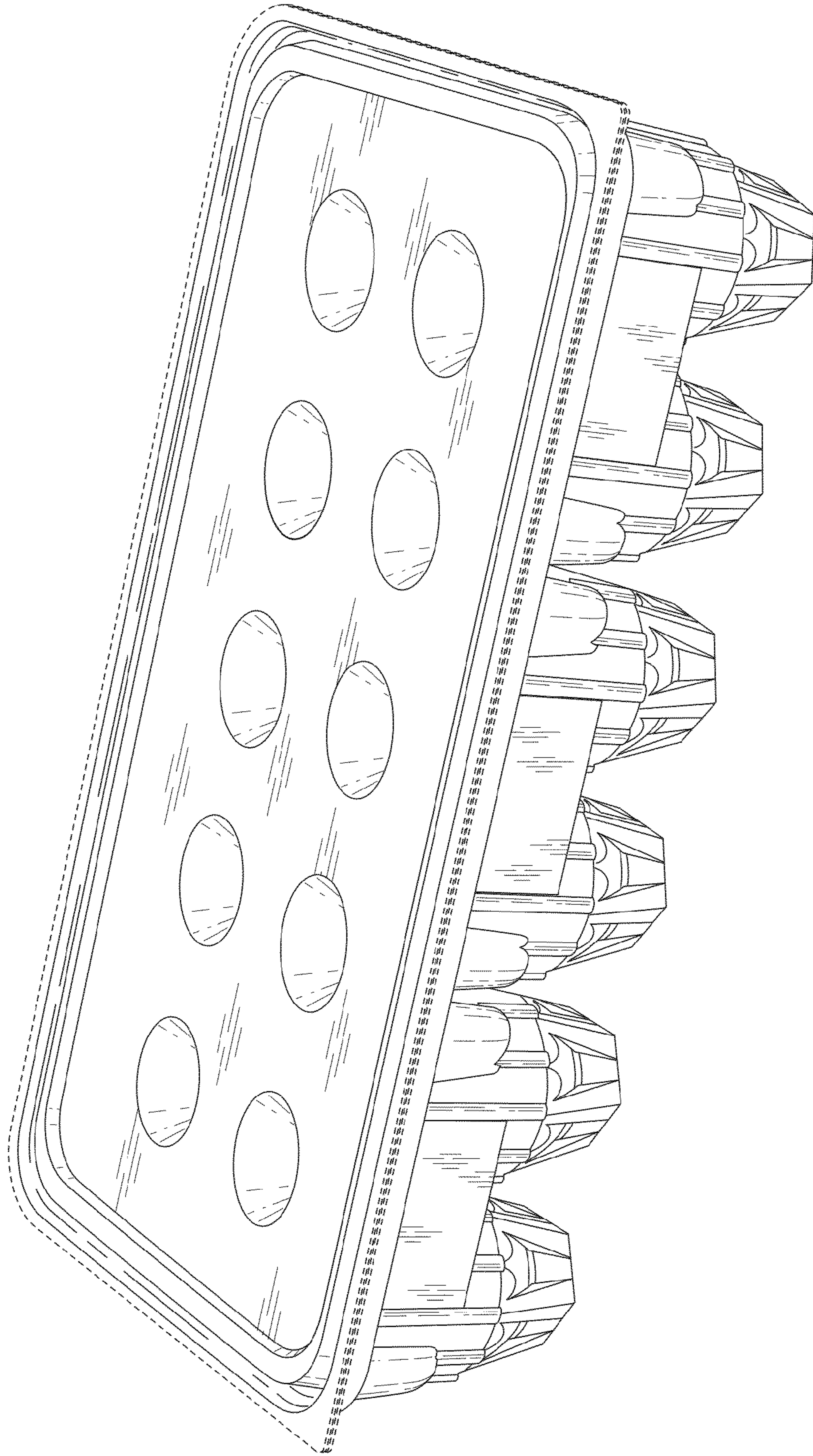


Fig. 8

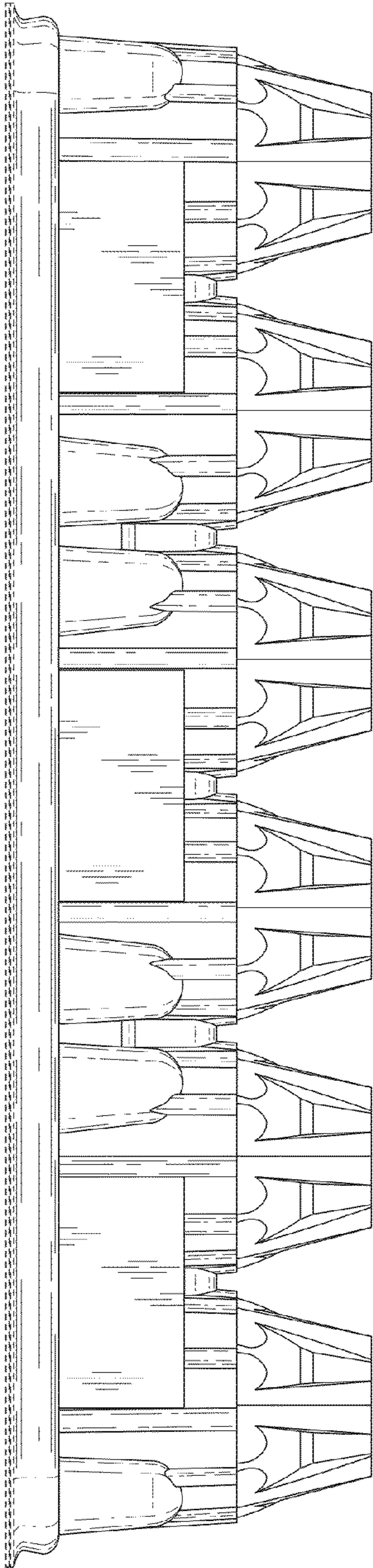


Fig. 9

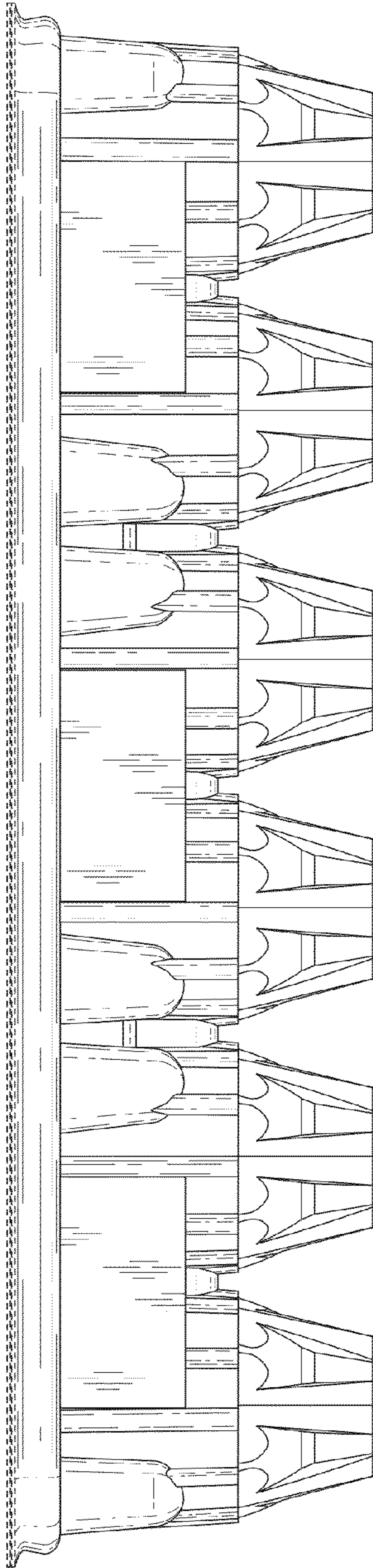


Fig. 10

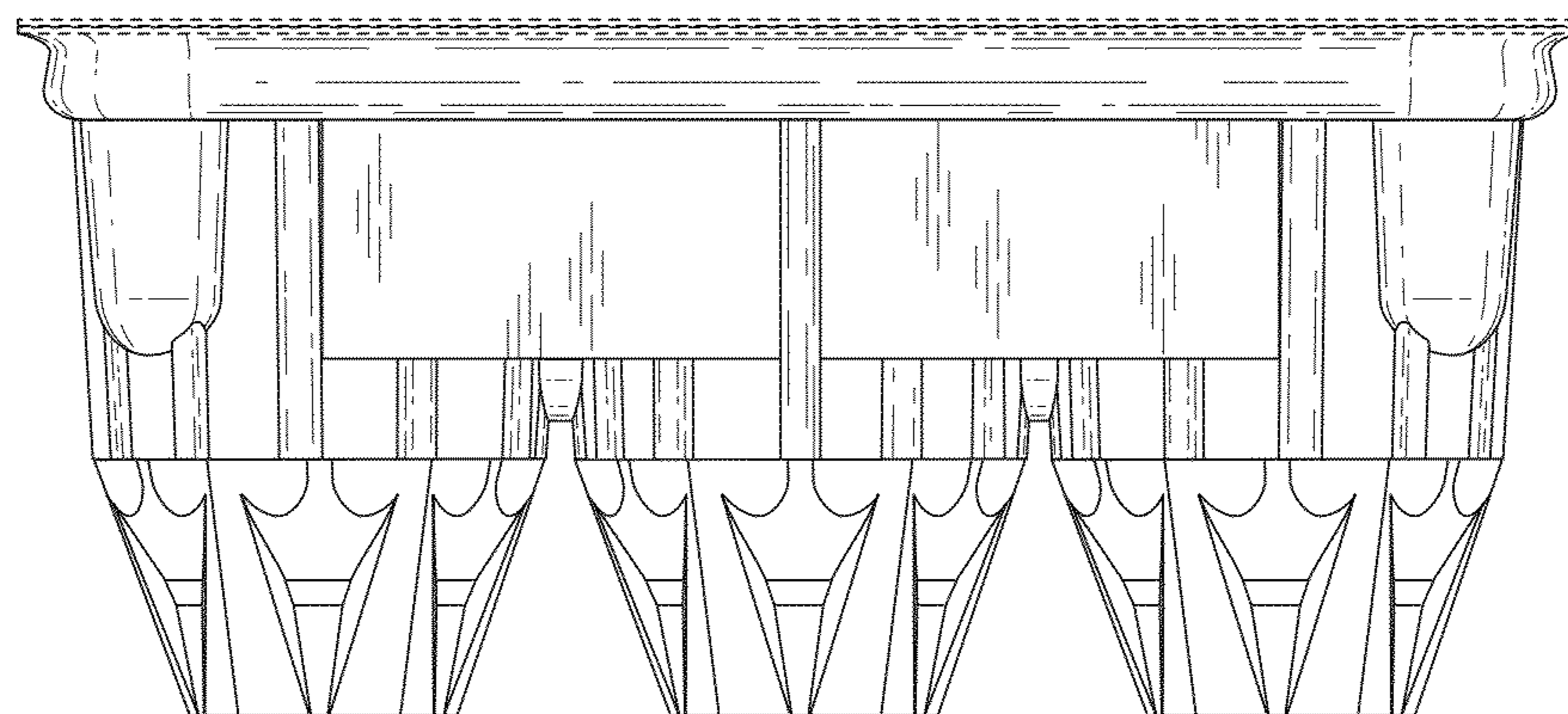


Fig. 11

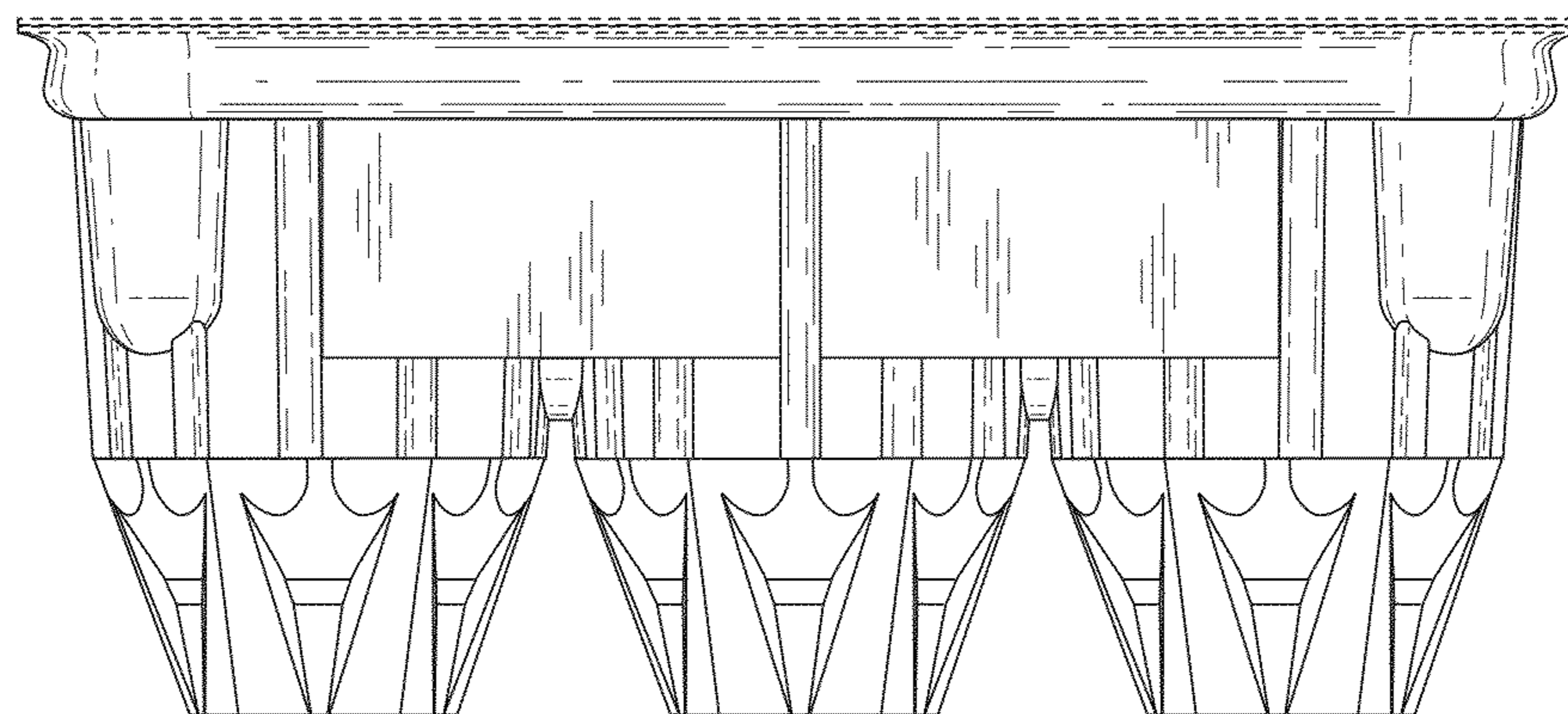


Fig. 12

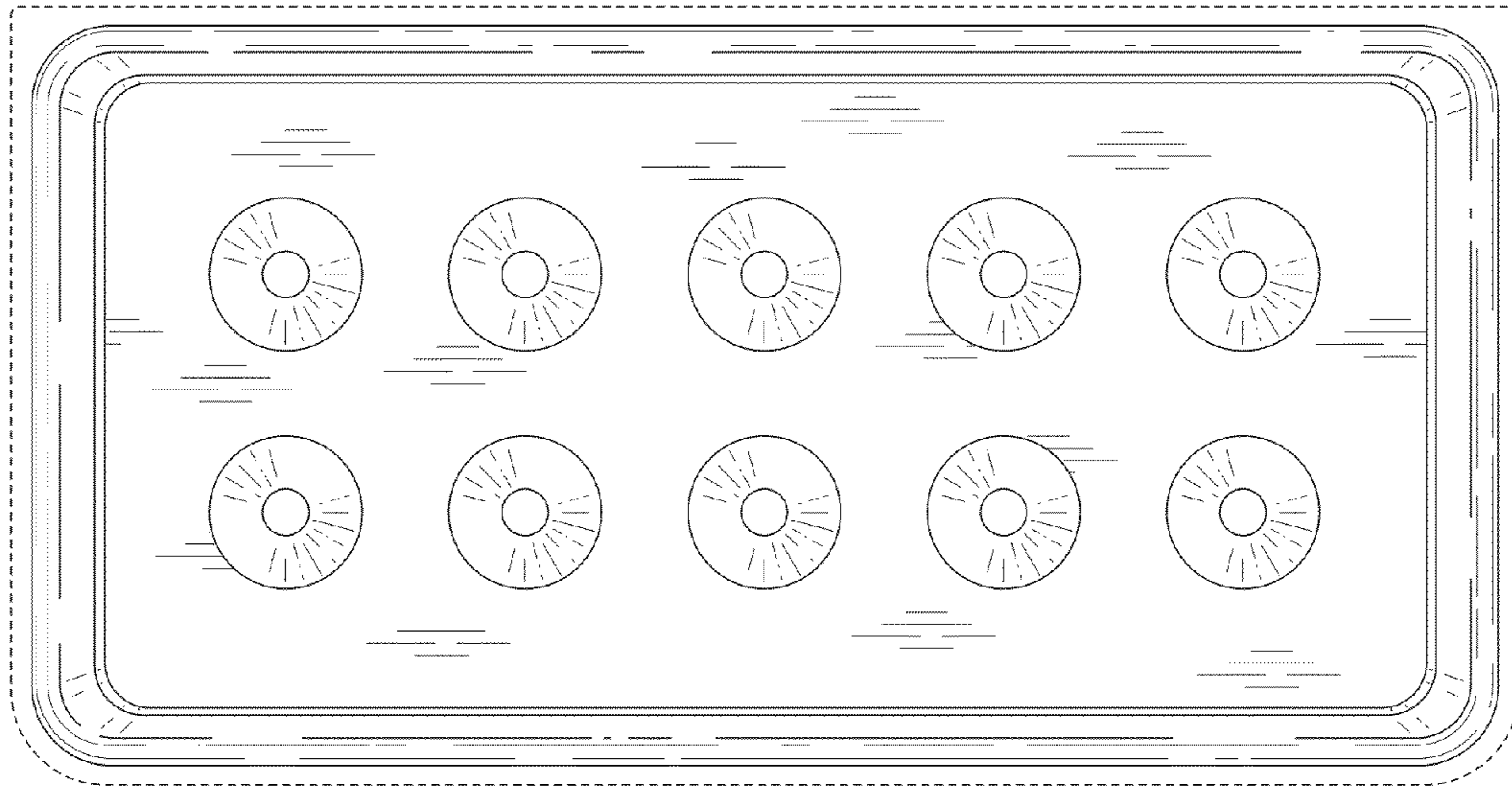


Fig. 13

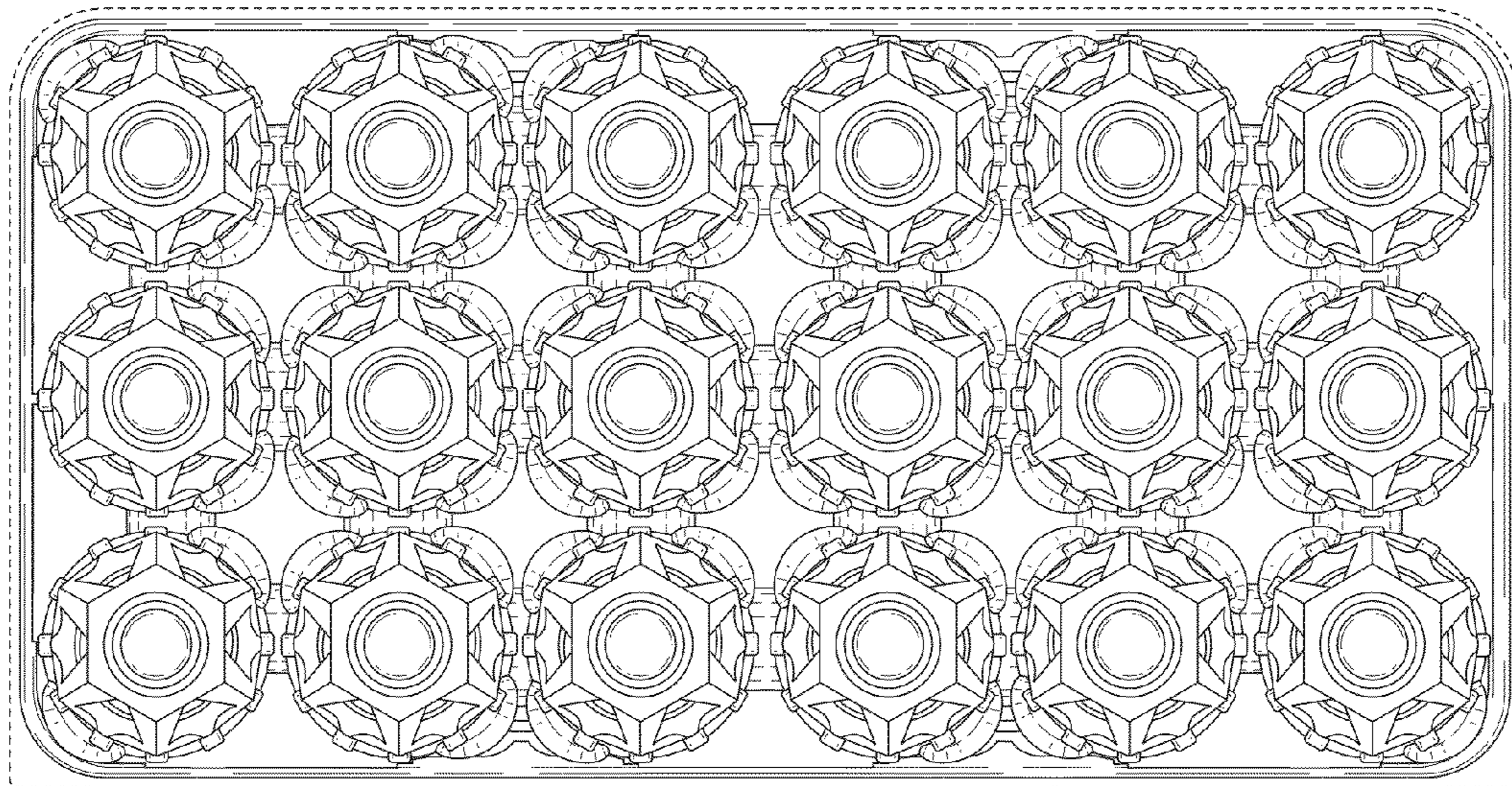


Fig. 14