



US00D735577S

(12) **United States Design Patent**
Lee

(10) **Patent No.:** **US D735,577 S**
(45) **Date of Patent:** **** Aug. 4, 2015**

(54) **LID FOR FOOD AND BEVERAGE CONTAINER**

(71) Applicant: **GREENO PRODUCTS, LLC**,
Chatsworth, CA (US)

(72) Inventor: **David Lee**, Chatsworth, CA (US)

(**) Term: **14 Years**

(21) Appl. No.: **29/483,664**

(22) Filed: **Feb. 28, 2014**

(51) **LOC (10) Cl.** **09-07**

(52) **U.S. Cl.**
USPC **D9/436; D9/452**

(58) **Field of Classification Search**

USPC D3/202; D7/387, 396.1, 701; D9/434,
D9/435, 436, 440, 443, 445, 447, 452, 453,
D9/454, 456, 499, 503, 504, 741, 743, 744,
D9/745; 215/387; 220/711–713, 752, 781,
220/792; 229/404

CPC B65D 2543/00027; B65D 2543/00092
See application file for complete search history.

(56) **References Cited**

U.S. PATENT DOCUMENTS

D233,599	S	*	11/1974	Davis	D9/453
4,421,244	A	*	12/1983	Van Melle	220/781
D292,380	S	*	10/1987	Smith	D9/435
D380,385	S	*	7/1997	Litke	D9/452
D560,120	S	*	1/2008	Maravich et al.	D9/454
D574,238	S	*	8/2008	Walker et al.	D9/452
D604,638	S	*	11/2009	Kim	D9/745
D631,693	S	*	2/2011	Giraud et al.	D7/396.1
D673,450	S	*	1/2013	Cronin et al.	D9/452
D709,366	S	*	7/2014	Fleming	D9/435
D711,226	S	*	8/2014	Fleming	D9/435
D712,740	S	*	9/2014	Antal et al.	D9/435
D715,646	S	*	10/2014	Fraser et al.	D9/436
2014/0042177	A1	*	2/2014	Fleming	220/713

OTHER PUBLICATIONS

Mommy's Block Party. Nuby Easy Go Suction Bowl and Spoon. Apr. 17, 2013 [online], [site visited Mar. 12, 2015. Available from Internet, <URL:http://www.mommysblockparty.co/2013/04/nuby-easy-go-suction-bowl-and-spoon.html>.*

* cited by examiner

Primary Examiner — Robert M Spear

Assistant Examiner — Darcey E Heflin

(74) *Attorney, Agent, or Firm* — Roland Tong

(57) **CLAIM**

The ornamental design for a lid for food and beverage container, as shown and described.

DESCRIPTION

FIG. 1 is a top plan view of a lid for food and beverage container of the present disclosure.

FIG. 2 is a bottom plan view of the lid for food and beverage container.

FIG. 3 is a front view of the lid for food and beverage container.

FIG. 4 is a rear view of the lid for food and beverage container.

FIG. 5 is a left side view of the lid for food and beverage container.

FIG. 6 is a right side view of the lid for food and beverage container.

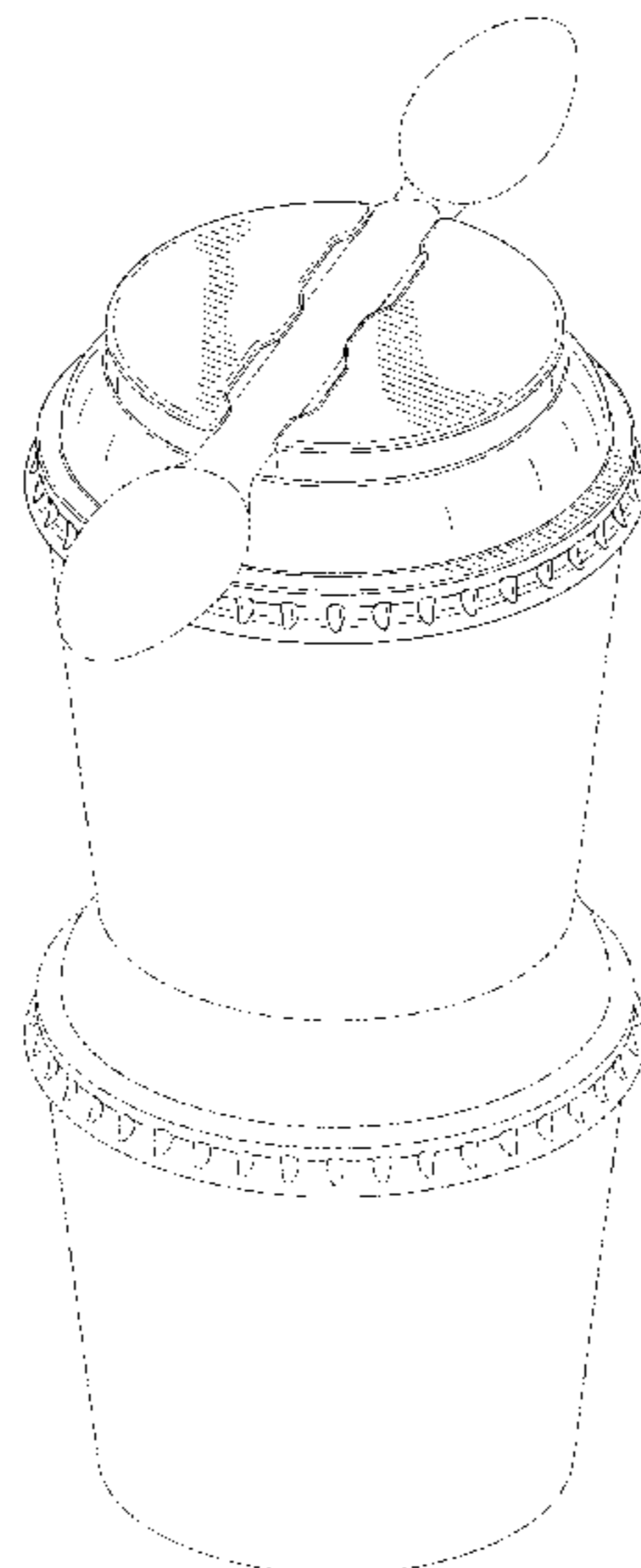
FIG. 7 is a perspective view of the lid for food and beverage container.

FIG. 8 is a perspective view of the lid for food and beverage container with spoons attached thereon; and,

FIG. 9 is a perspective view of stacked food and beverage containers with lids thereon that allow the containers to be stacked and the spoons to be attached thereon.

In the drawings, the broken lines depict environmental subject matter and form no part of the claim.

1 Claim, 7 Drawing Sheets



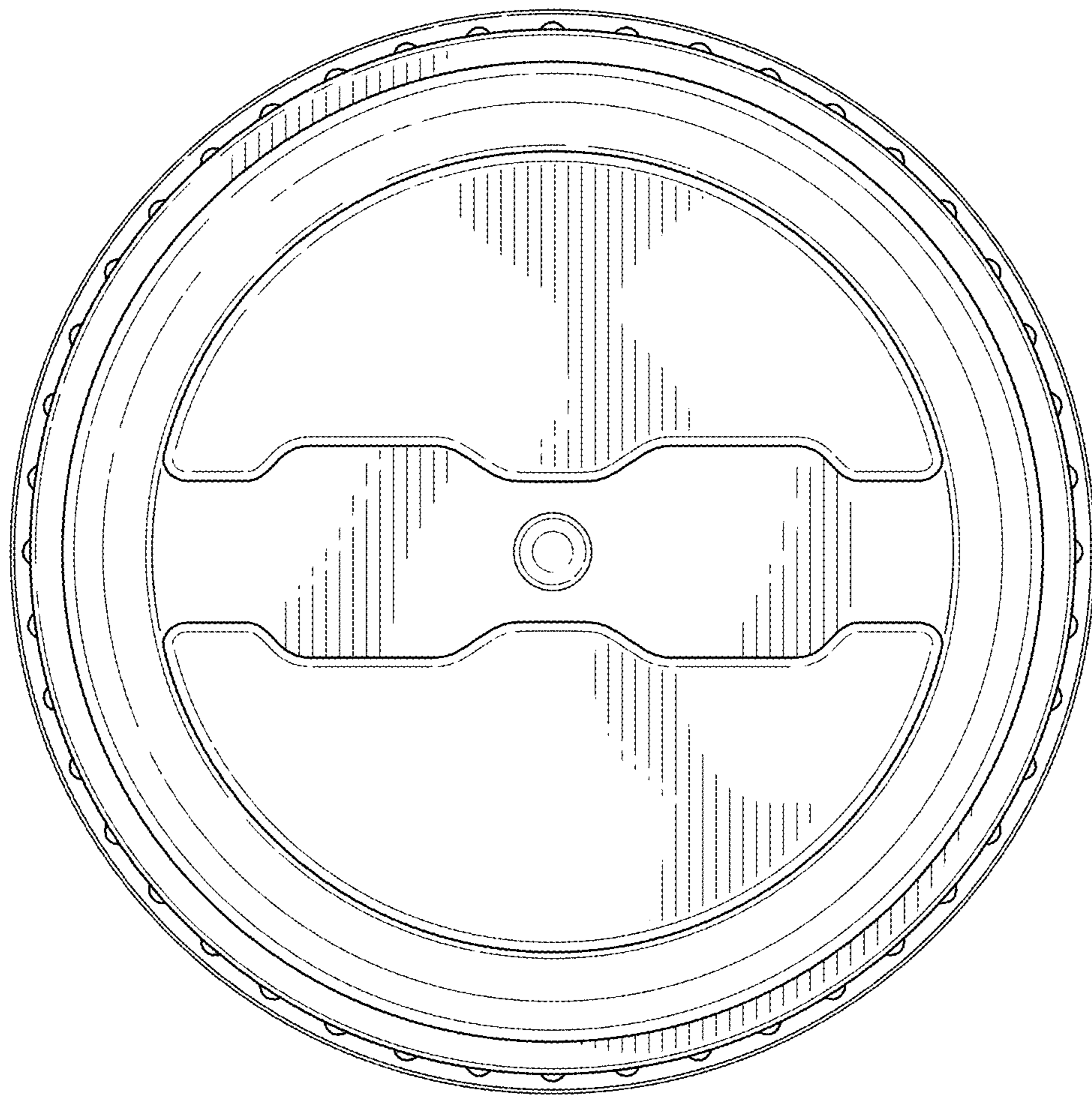


FIG. 1

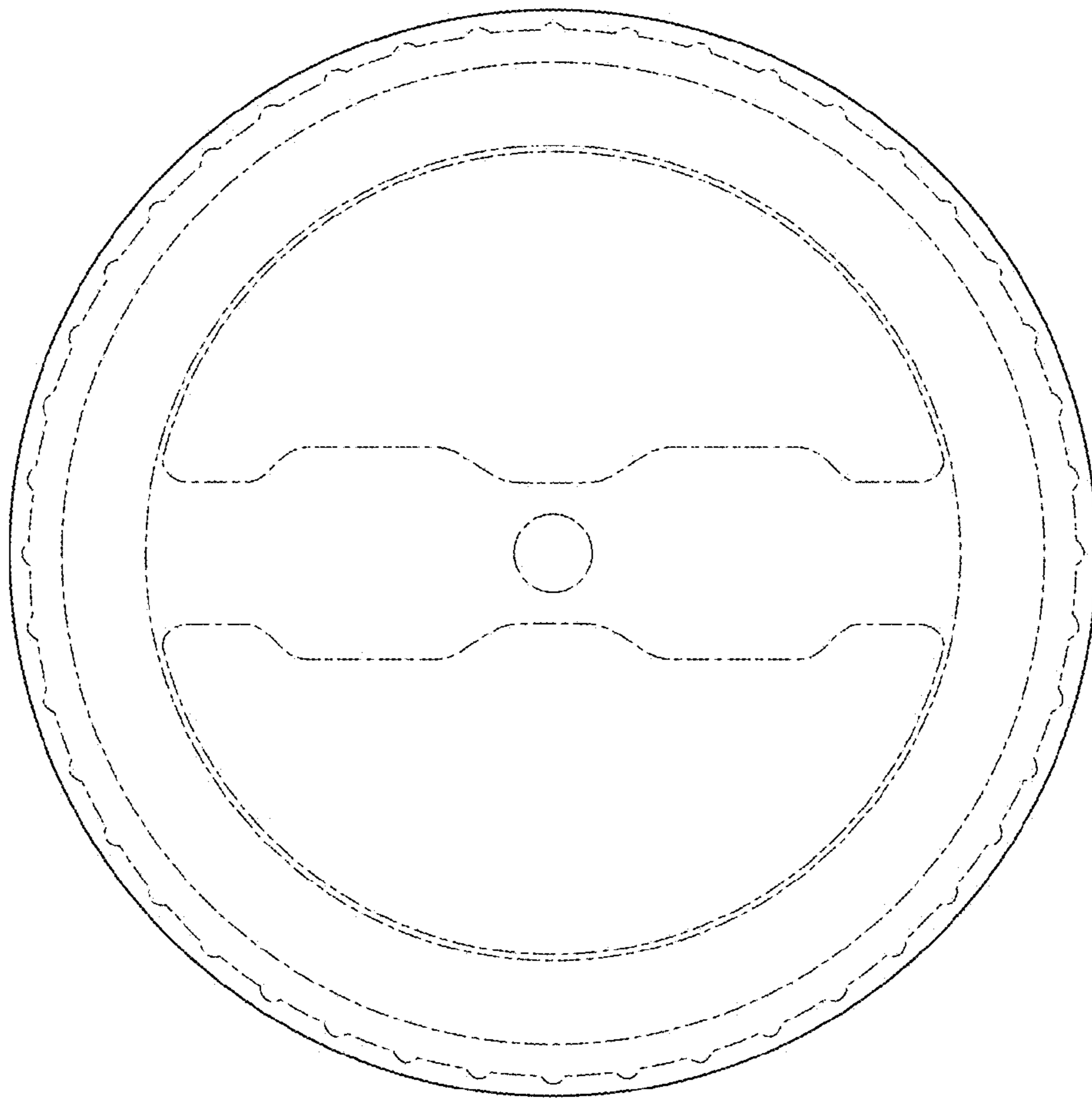


FIG. 2

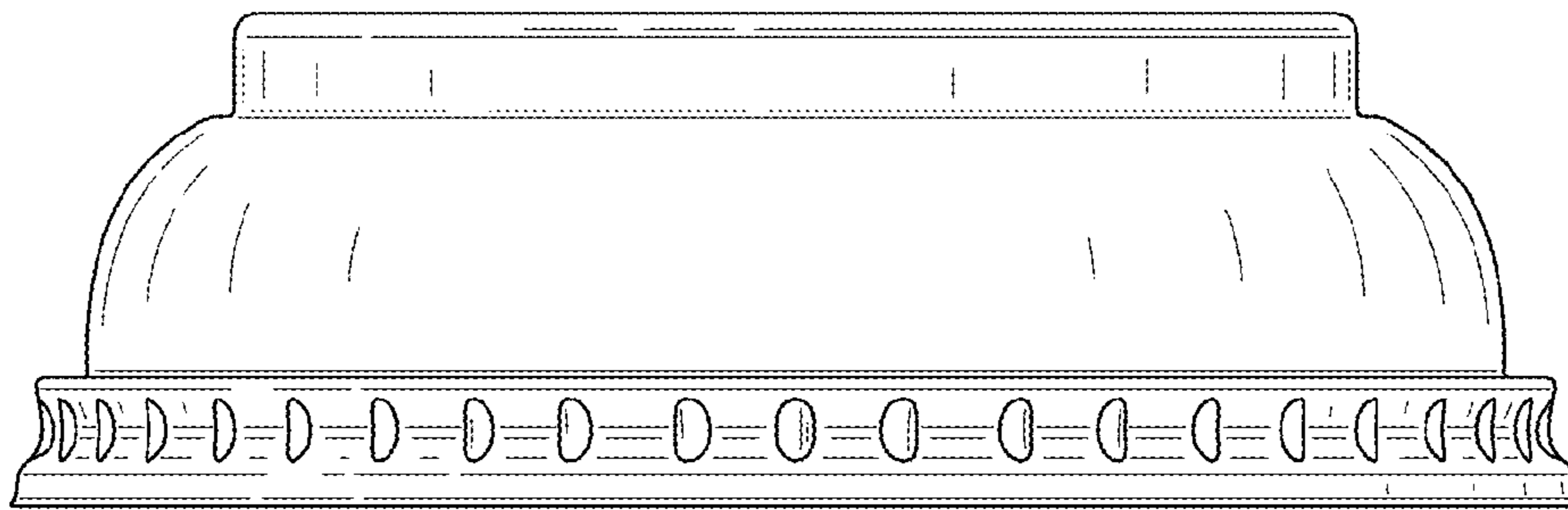


FIG. 3

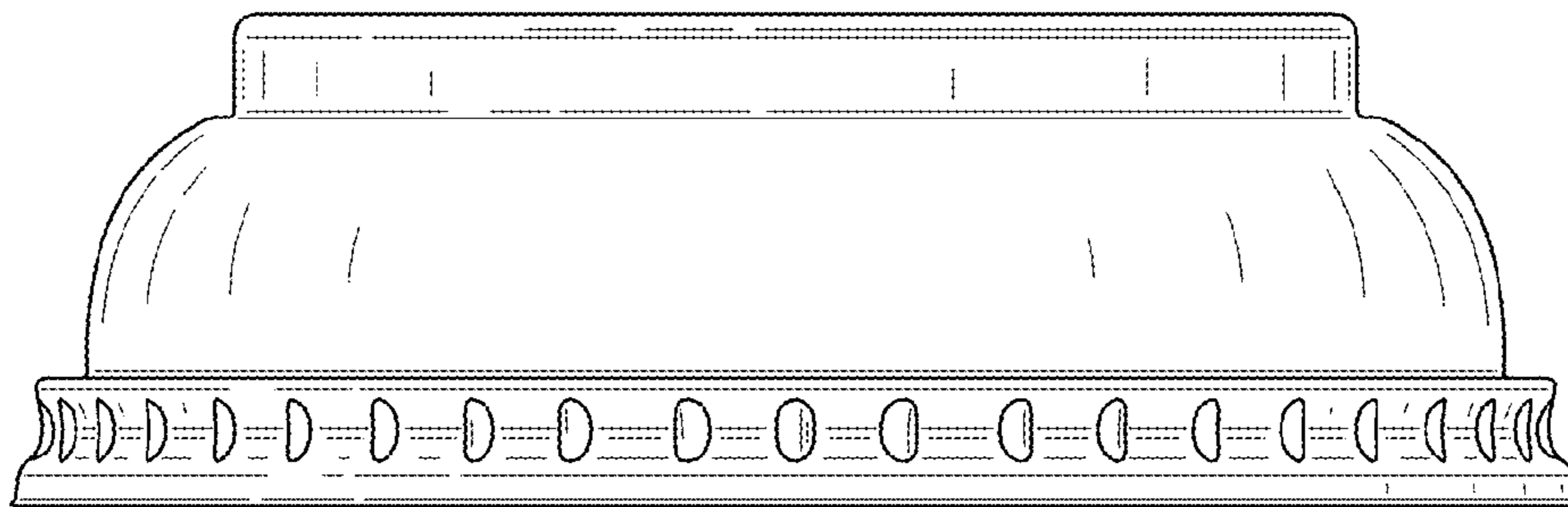


FIG. 4

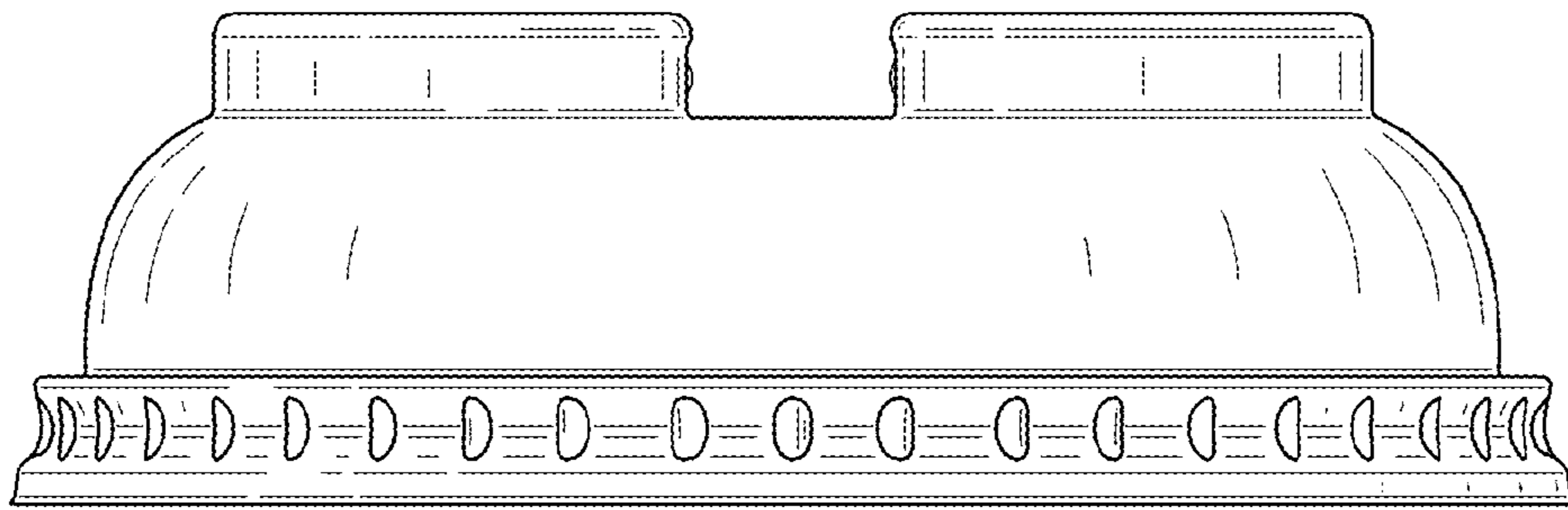


FIG. 5

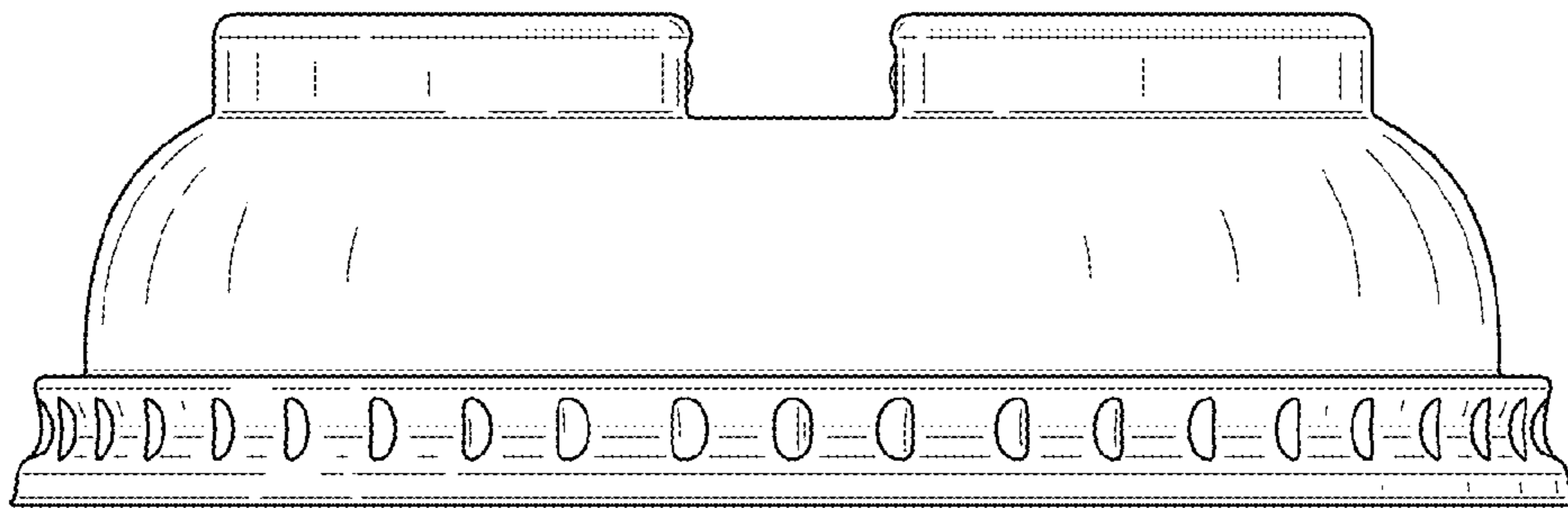


FIG. 6

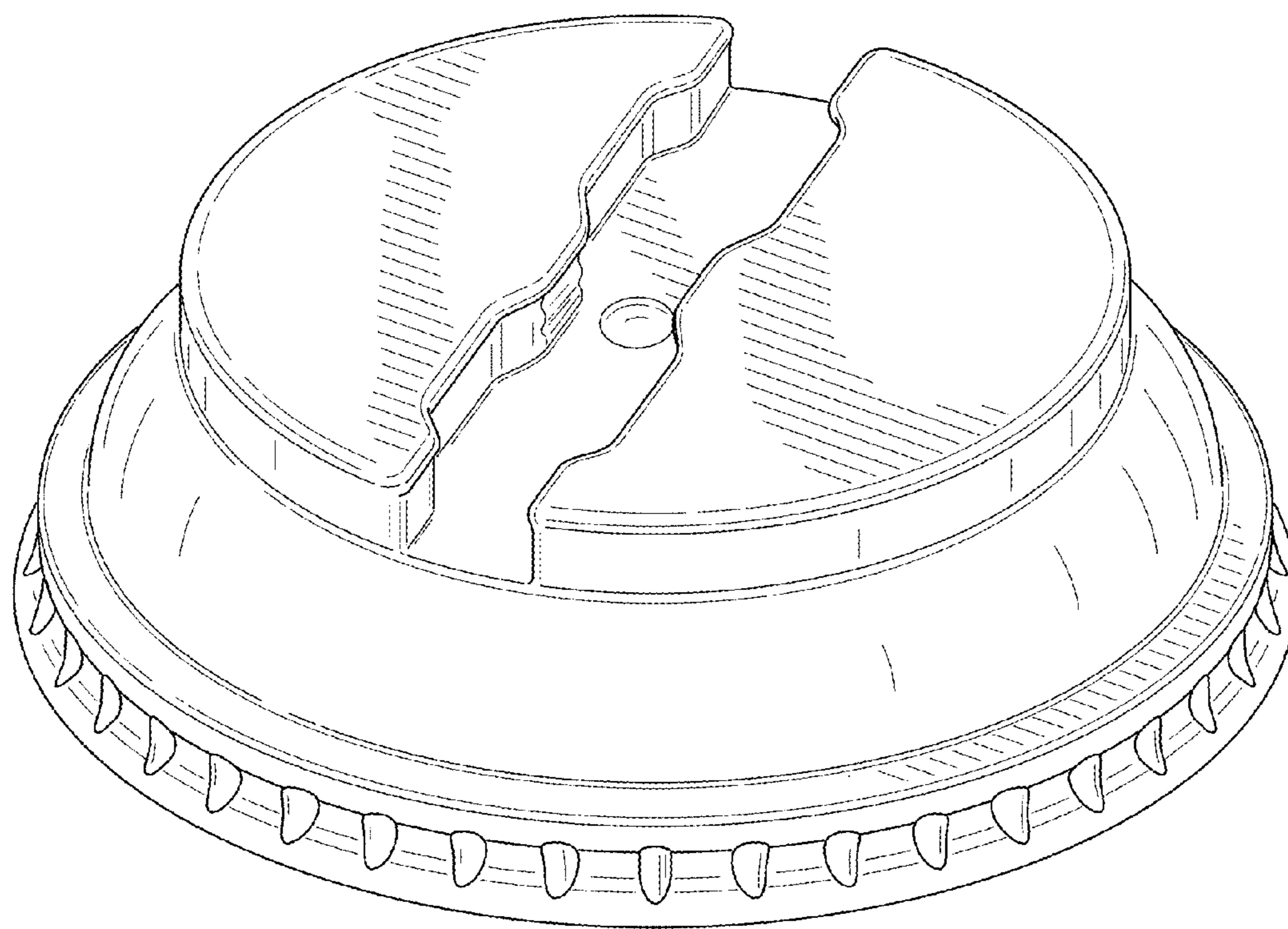


FIG. 7

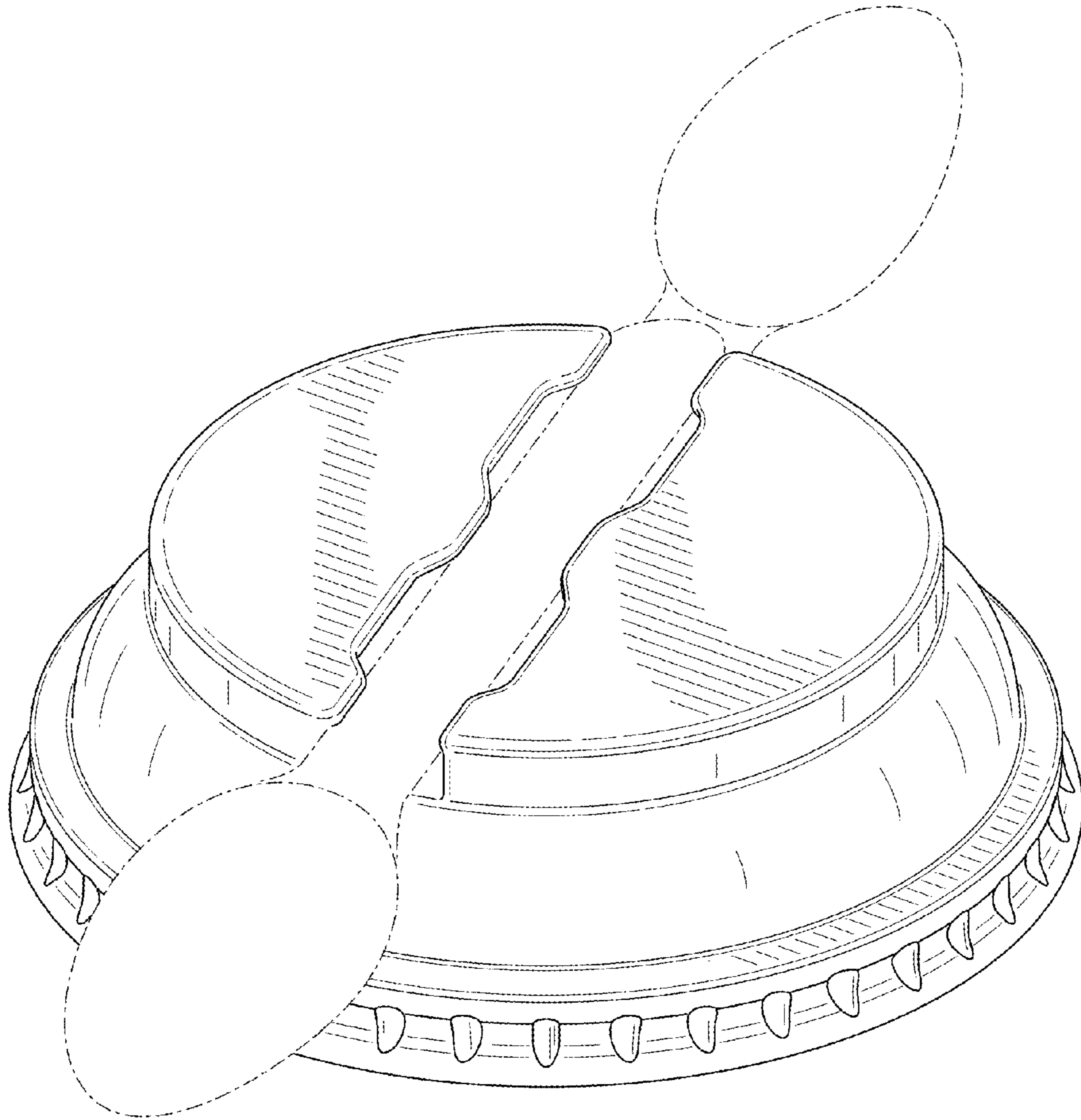


FIG. 8

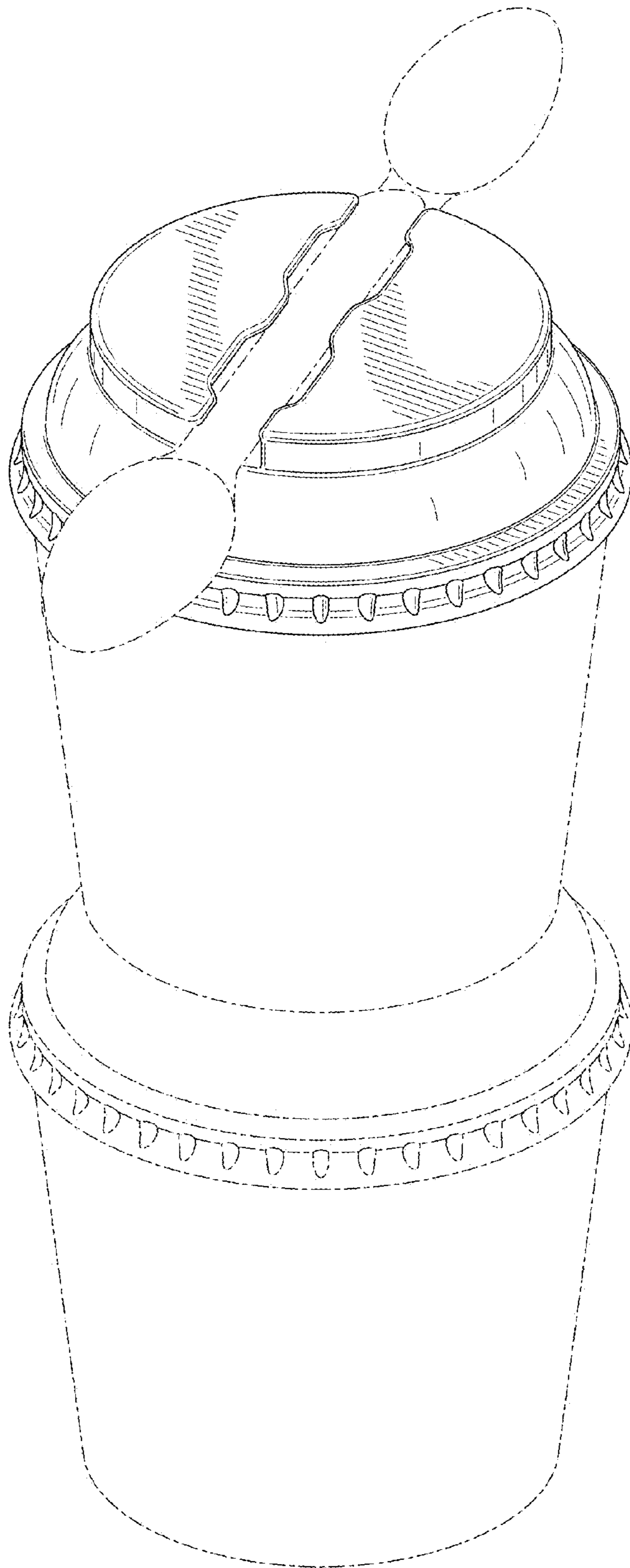


FIG. 9