



US00D735574S

(12) **United States Design Patent**  
**Brady et al.**

(10) **Patent No.:** **US D735,574 S**  
(45) **Date of Patent:** **\*\* Aug. 4, 2015**

- (54) **CUP**
- (71) Applicant: **THE QUAKER OATS COMPANY**,  
Chicago, IL (US)
- (72) Inventors: **Debra Brady**, Barrington, IL (US); **Eric Thomas Henderson**, Chicago, IL (US);  
**James J. Maki**, McHenry, IL (US)
- (73) Assignee: **The Quaker Oats Company**, Chicago,  
IL (US)
- (\*\*) Term: **14 Years**
- (21) Appl. No.: **29/481,870**
- (22) Filed: **Feb. 11, 2014**
- (51) **LOC (10) Cl.** ..... **09-03**
- (52) **U.S. Cl.**  
USPC ..... **D9/428; D9/500**
- (58) **Field of Classification Search**  
USPC ..... D9/414, 416, 417, 424, 425, 427, 428,  
D9/429, 434, 435, 438, 440, 453, 454, 456,  
D9/500-505, 529, 530, 531, 538; 426/77,  
426/80, 86, 115, 431; 220/574, 573.1,  
220/203.8, 359.1, 258.2, 268, 270;  
206/503, 515, 519, 520; 229/123.2;  
D7/400, 677, 675, 672, 584; 210/473;  
D11/152, 153; 99/295  
CPC ..... B65D 2543/00842; B65D 2543/00805;  
B65D 2543/00972; B65D 2577/2083; B65D  
41/0442; B65D 51/145; B65D 2543/0024;  
B65D 41/045; B65D 17/165; B65D 7/2878;  
B65D 2543/00537; B65D 2543/00648; B65D  
2543/0099; B65D 39/084  
See application file for complete search history.

(56) **References Cited**  
U.S. PATENT DOCUMENTS

- 1,333,297 A \* 3/1920 Eulberg ..... 222/541.2
- 3,628,688 A \* 12/1971 Haggard et al. .... 220/270

- 3,820,684 A \* 6/1974 Harrison ..... 206/520
- D235,246 S \* 6/1975 Evans et al. .... D9/416
- 4,209,126 A \* 6/1980 Elias ..... 229/123.2
- 4,215,797 A \* 8/1980 Chen ..... 220/359.4
- 4,438,850 A \* 3/1984 Kahn ..... 229/123.1
- D426,160 S 6/2000 Lindsay
- D429,150 S 8/2000 Lindsay
- D439,517 S 3/2001 Lindsay
- D445,677 S 7/2001 Lindsay
- 6,460,720 B1 \* 10/2002 Massey et al. .... 220/359.1
- D614,080 S \* 4/2010 Woerner ..... D11/152
- D631,702 S \* 2/2011 Flick ..... D7/523
- D642,055 S \* 7/2011 Schedl et al. .... D9/435
- D642,463 S \* 8/2011 Schedl et al. .... D9/435
- D649,039 S \* 11/2011 Golota et al. .... D9/429
- D698,649 S \* 2/2014 Quint ..... D9/500
- D700,839 S \* 3/2014 O'Brien et al. .... D9/429
- D715,649 S \* 10/2014 O'Brien ..... D9/500
- D716,648 S \* 11/2014 Tan ..... D9/416
- 2001/0033882 A1 \* 10/2001 Liu ..... 426/115
- 2007/0068945 A1 \* 3/2007 Bykowski et al. .... 220/359.2
- 2008/0190937 A1 \* 8/2008 Cho ..... 220/573.1
- 2009/0229470 A1 \* 9/2009 Dorfmueeller ..... 99/295

(Continued)

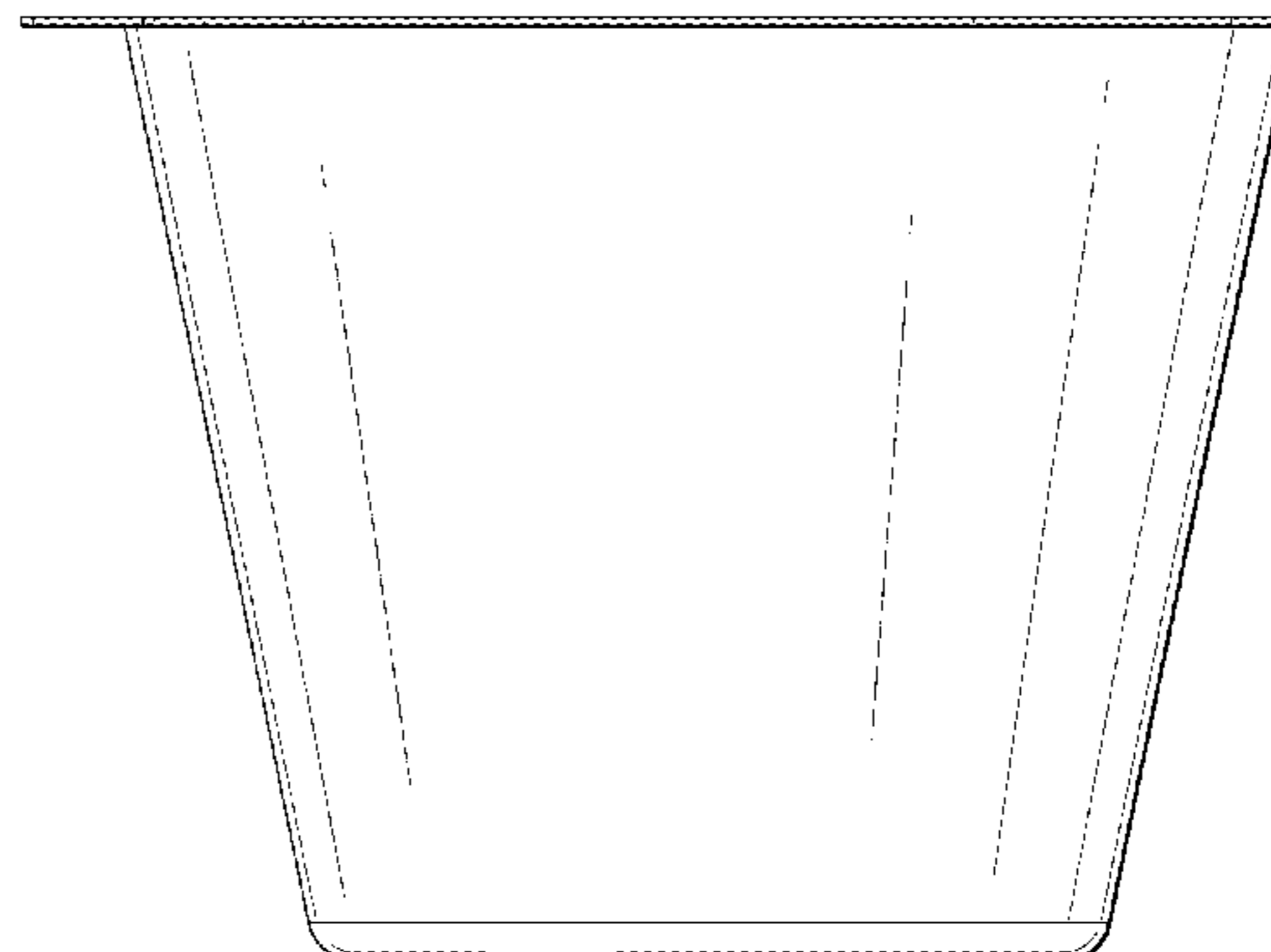
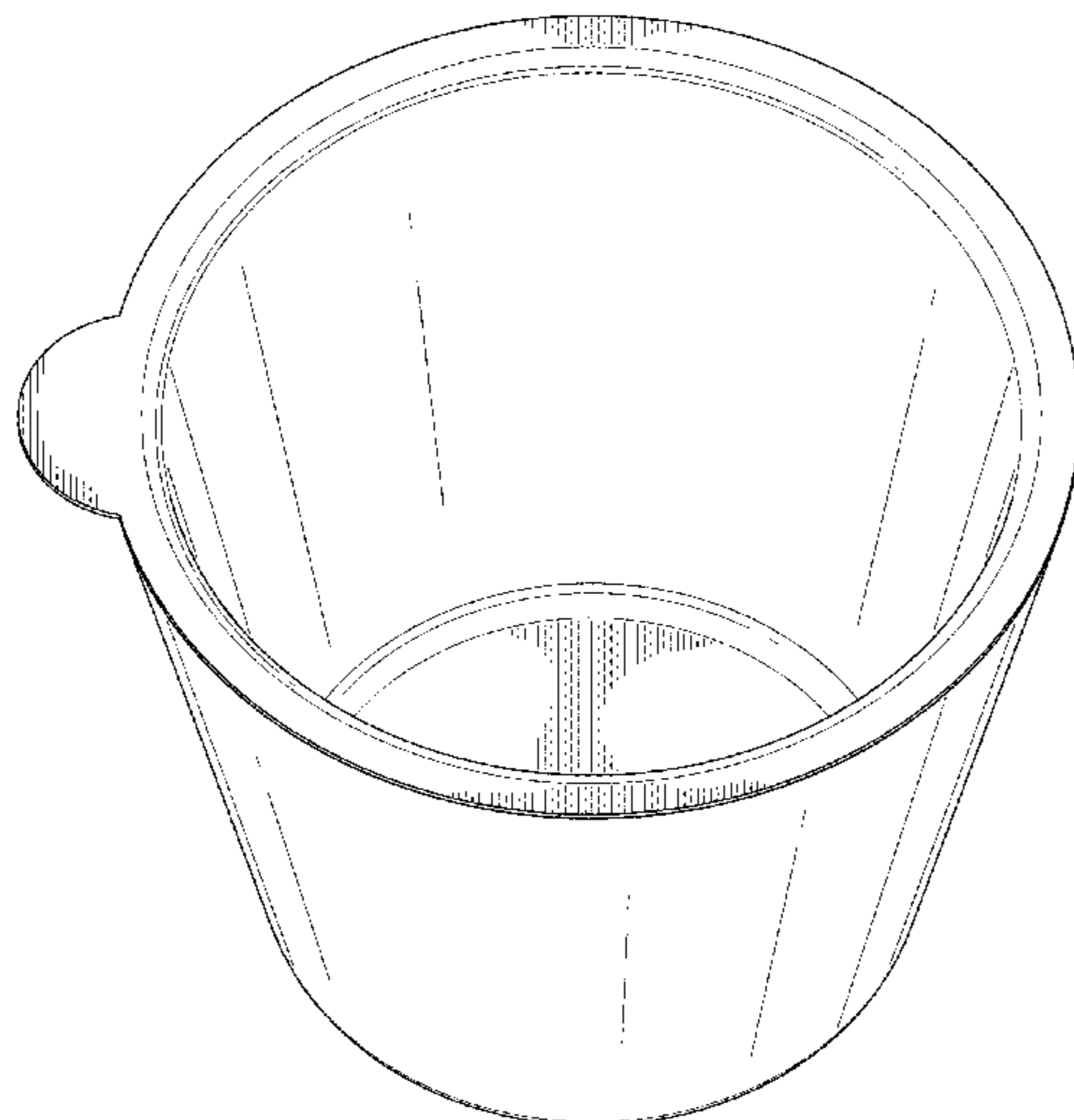
*Primary Examiner* — Philip S Hyder  
*Assistant Examiner* — Keith Frank  
(74) *Attorney, Agent, or Firm* — James R. Gourley; Colin P. Cahoon; Carstens & Cahoon, LLP

(57) **CLAIM**  
The ornamental design for a cup, as shown and described.

**DESCRIPTION**

FIG. 1 is a perspective view of the cup;  
FIG. 2 is a side elevation view of the cup;  
FIG. 3 is an opposite side elevation view of the cup;  
FIG. 4 is a rear elevation view of the cup;  
FIG. 5 is a front elevation view of the cup;  
FIG. 6 is a top elevation view of the cup; and,  
FIG. 7 is a bottom elevation view of the cup.

**1 Claim, 7 Drawing Sheets**



# US D735,574 S

Page 2

---

(56)

## References Cited

### U.S. PATENT DOCUMENTS

2011/0185911	A1*	8/2011	Rapparini .....	99/295			
2012/0009304	A1*	1/2012	Perentes et al. ....	426/110			
2012/0031794	A1*	2/2012	Ozanne et al. ....	206/459.5			
2014/0161936	A1*	6/2014	Trombetta et al. ....	426/77			
2014/0377413	A1*	12/2014	Liu .....	426/115			
2015/0050391	A1*	2/2015	Rapparini .....	426/115			

\* cited by examiner

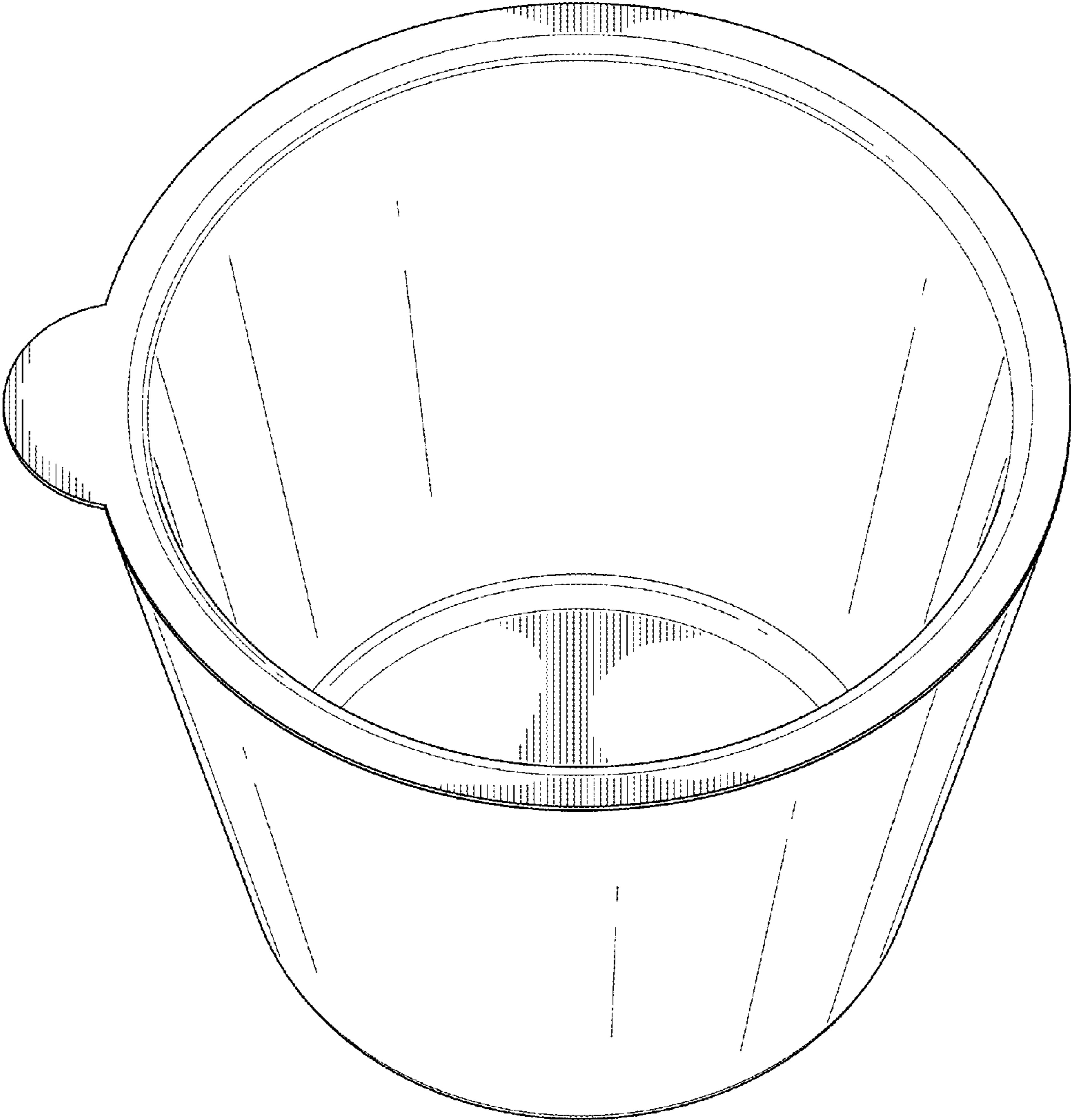


FIG. 1

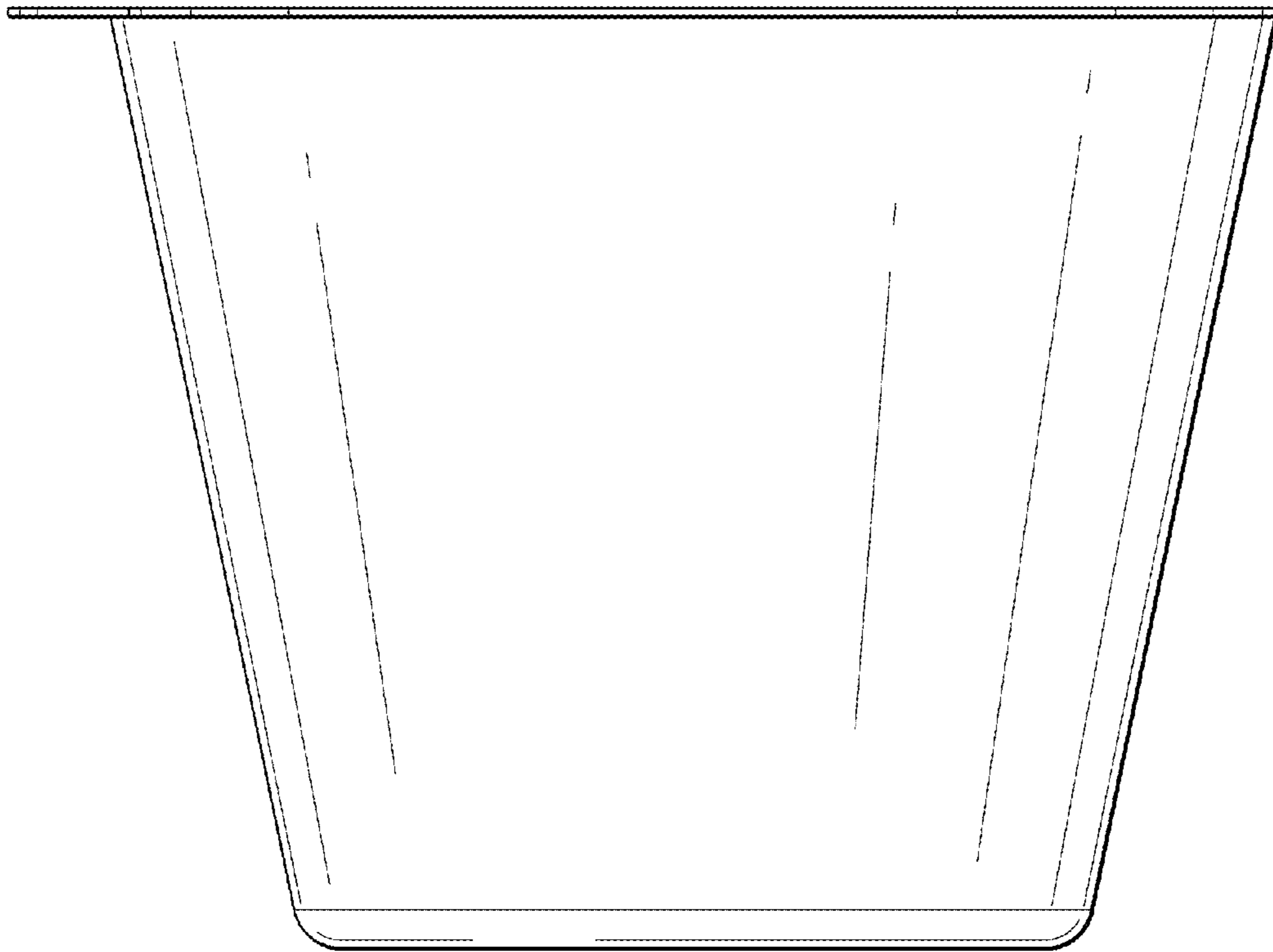


FIG. 2

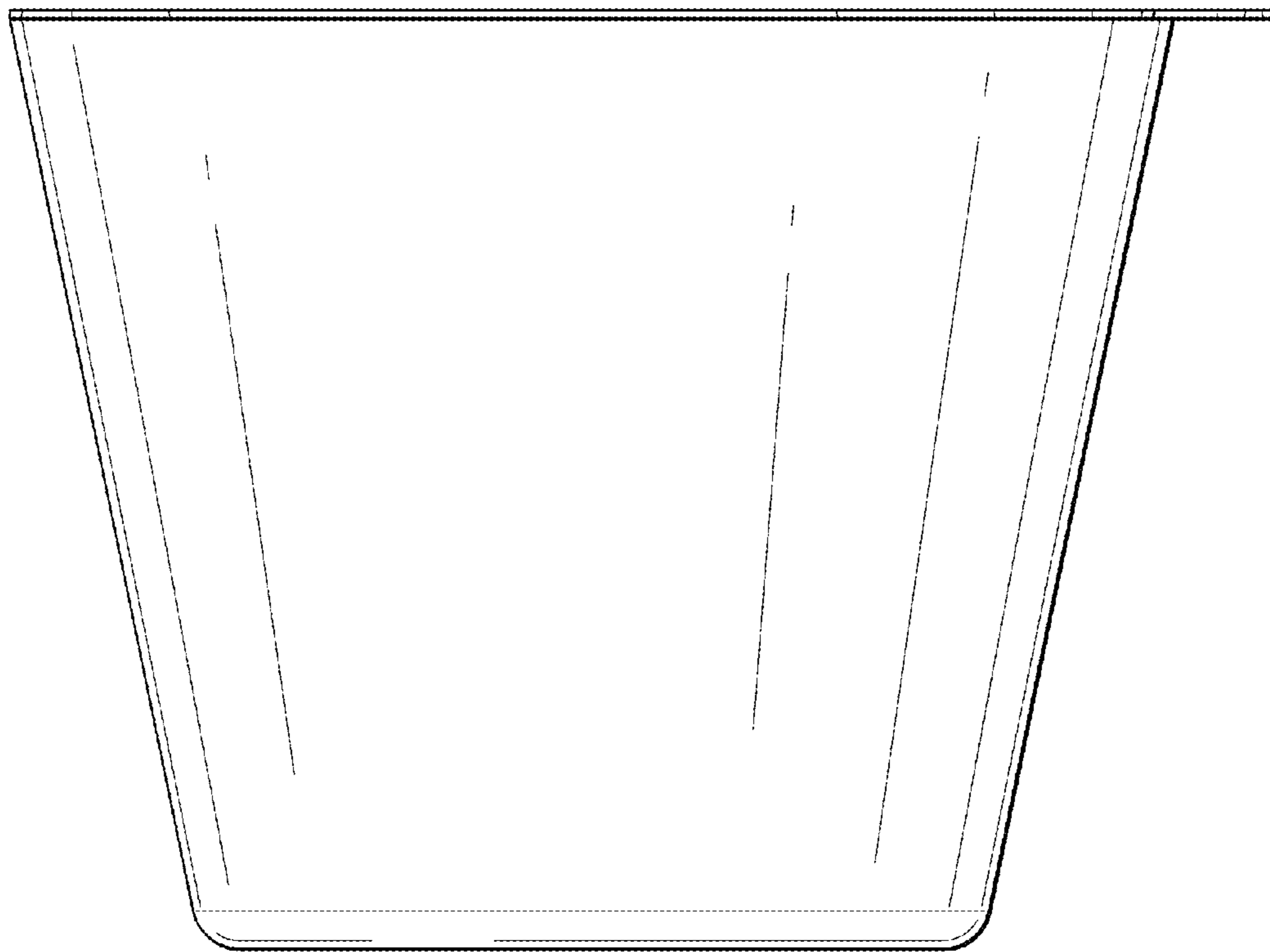


FIG. 3

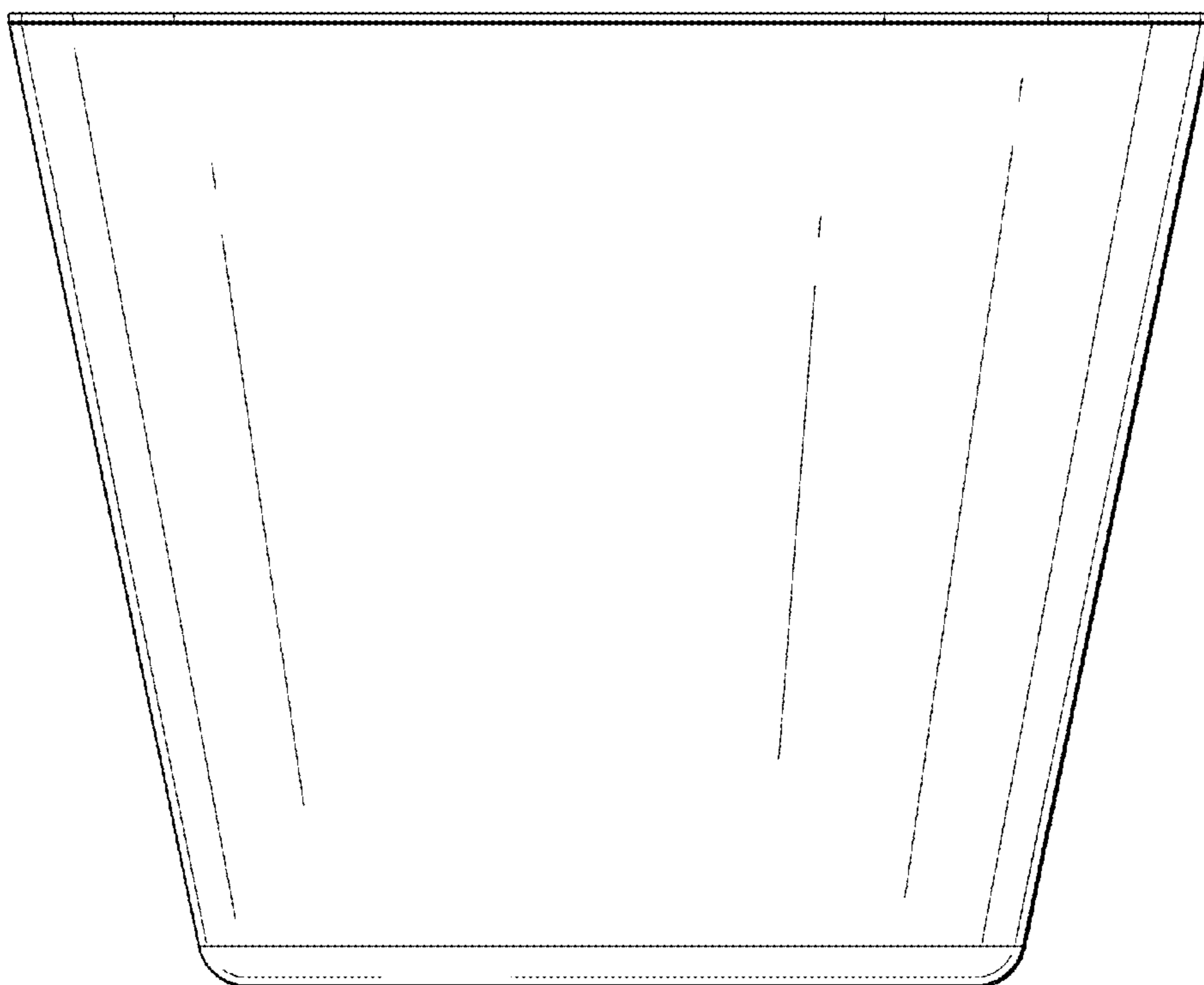


FIG. 4

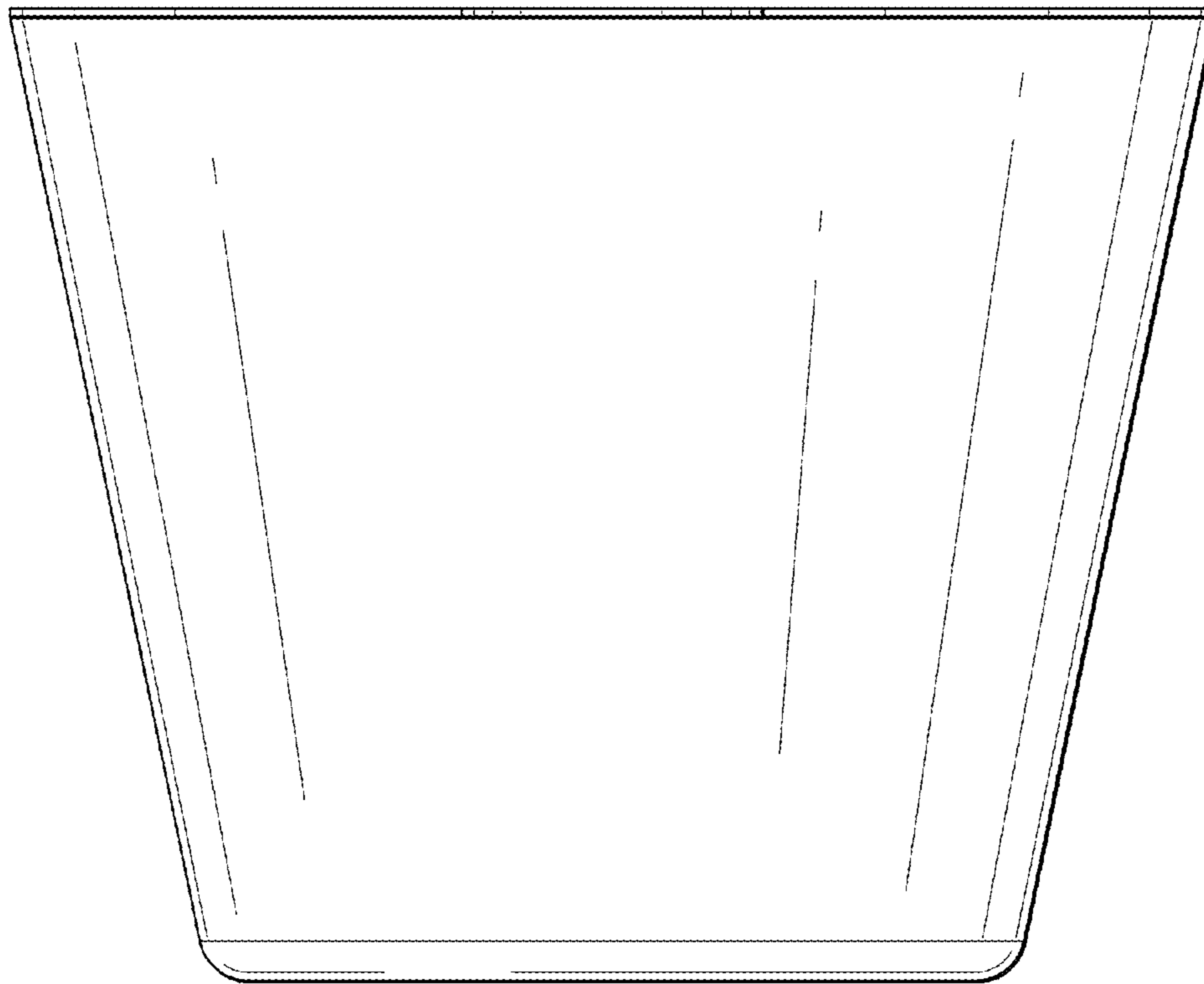


FIG. 5

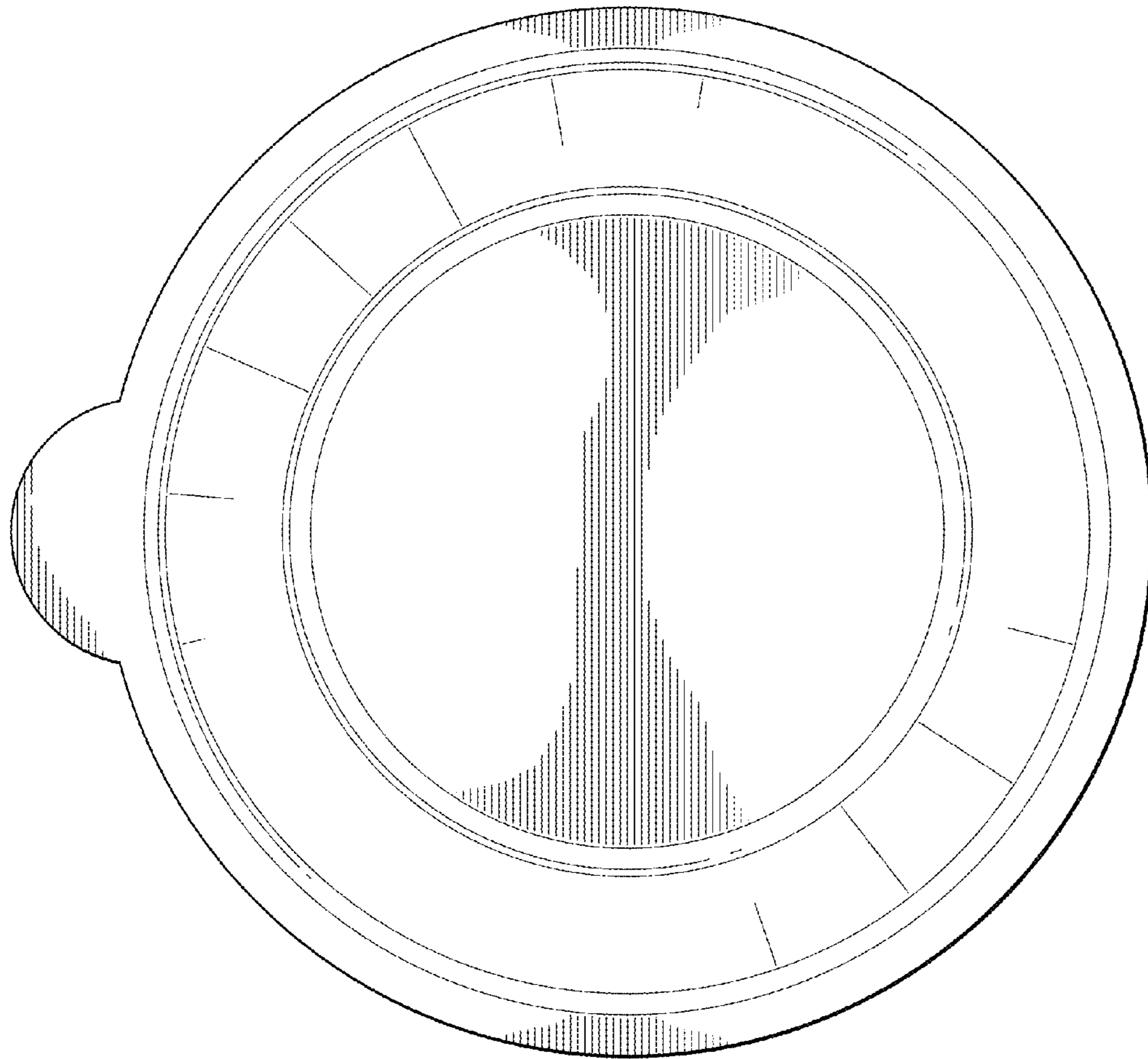


FIG. 6



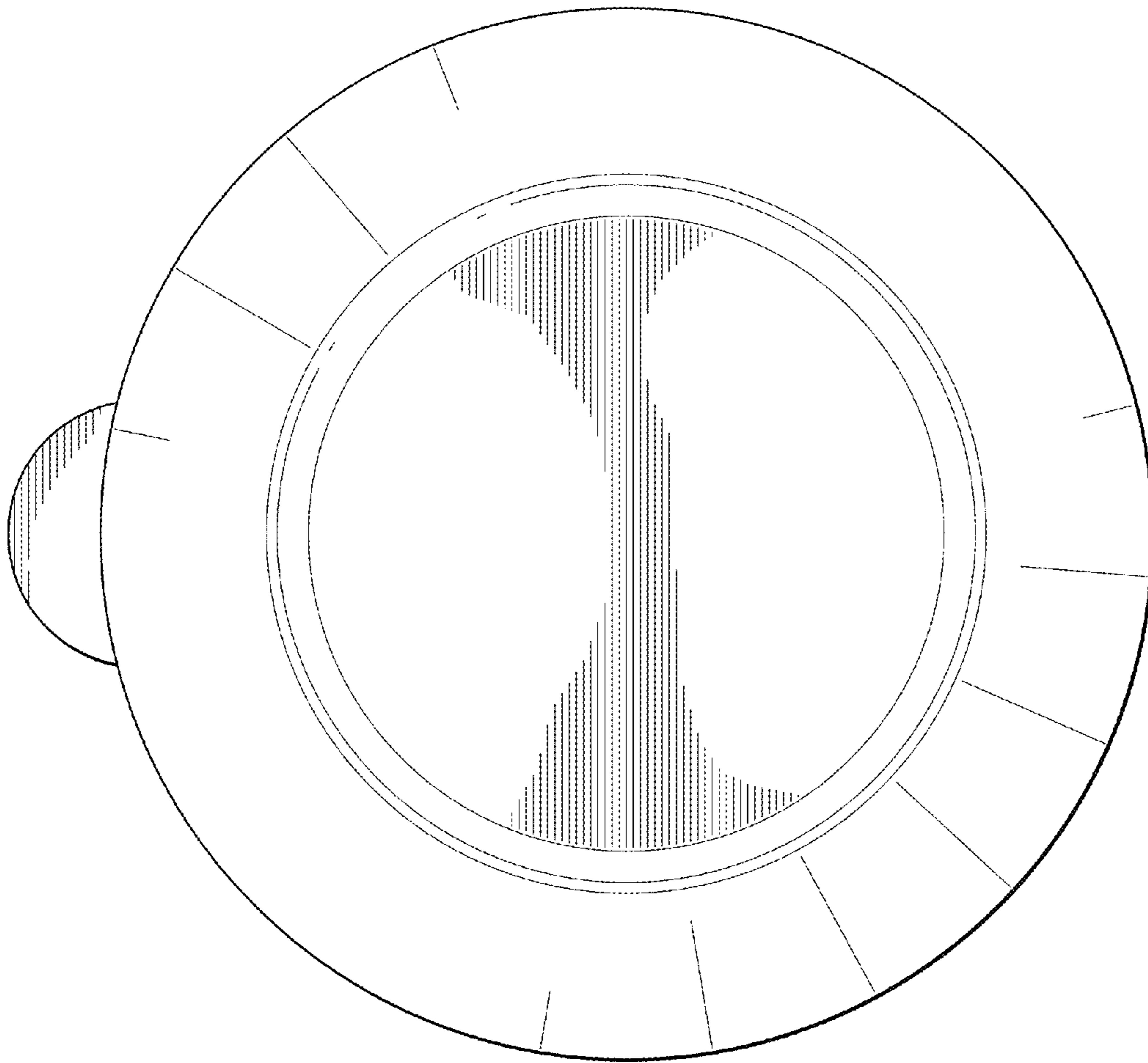


FIG. 7