



US00D735573S

(12) **United States Design Patent**
Jondal et al.

(10) **Patent No.:** **US D735,573 S**
(45) **Date of Patent:** **** Aug. 4, 2015**

(54) **CONTAINER**

(71) Applicant: **World Centric**, Petaluma, CA (US)

(72) Inventors: **Viktor Jondal**, Brooklyn, NY (US);
Aseem Das, Petaluma, CA (US)

(73) Assignee: **World Centric**, Petaluma, CA (US)

(**) Term: **14 Years**

(21) Appl. No.: **29/477,138**

(22) Filed: **Dec. 19, 2013**

(51) **LOC (10) Cl.** **09-03**

(52) **U.S. Cl.**
USPC **D9/426**

(58) **Field of Classification Search**

USPC D9/414, 415, 416, 419, 420, 421, 424,
D9/425, 428, 429, 454; D7/619.1, 629,
D7/672; 229/406; 220/656-659, 669-675,
220/912, 4.21-4.27; 206/503, 521.1, 553,
206/557, 541, 564, 775, 776, 217; D3/294
CPC A47J 36/06; A47J 47/14; B65D 1/165;
B65D 15/08; B65D 21/083; B65D 21/0234;
B65D 43/162; B65D 71/50; B65D 77/24;
B65D 81/3869; B65D 2543/00046; B65D
2543/00055; B65D 2543/00083; B65D
2543/00092; B65D 2543/00296

See application file for complete search history.

(56) **References Cited**

U.S. PATENT DOCUMENTS

D192,621 S * 4/1962 Mojonnier D9/523
D198,290 S * 5/1964 Miller et al. D9/425
3,578,204 A * 5/1971 Bloch et al. 220/671
3,968,921 A * 7/1976 Jewell 229/406
3,984,027 A * 10/1976 Smith 220/786
D249,236 S * 9/1978 Limon et al. D9/425

D249,237 S * 9/1978 Limon et al. D9/425
D316,515 S * 4/1991 Walsh et al. D9/757
D394,554 S * 5/1998 Mann et al. D3/323
D408,733 S * 4/1999 McCann D9/423
6,042,000 A 3/2000 Kawamoto
D531,022 S * 10/2006 Au D3/294
D582,265 S * 12/2008 Helfman D9/425
D664,425 S 7/2012 Krupa
2003/0173398 A1 * 9/2003 Nishikawa et al. 229/406

OTHER PUBLICATIONS

“Certified Compostable: products made from plants, not petroleum”,
World Centric, worldcentric.org, 7 pages, Palo Alto, CA. May 13,
2014.
Color Images of container, disclosed at least as early as Feb. 3, 2012,
2 pages.

* cited by examiner

Primary Examiner — Karen S Acker

Assistant Examiner — Wendy Arminio

(74) *Attorney, Agent, or Firm* — Sterne, Kessler, Goldstein
& Fox P.L.L.C.

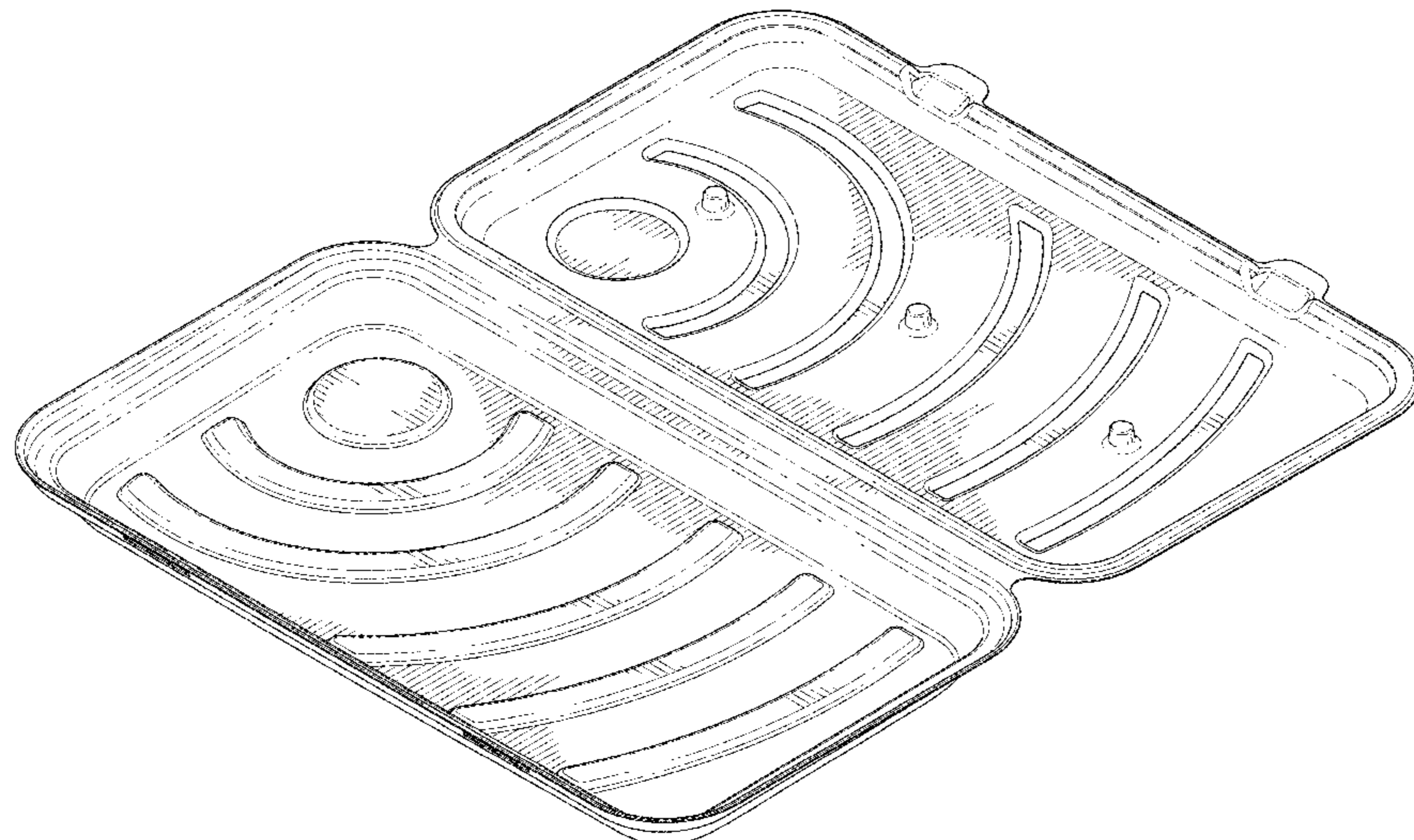
(57) **CLAIM**

The ornamental design for a container, as shown and
described.

DESCRIPTION

FIG. 1 is a top perspective view of a container showing our
new design in an open position;
FIG. 2 is a front view thereof;
FIG. 3 is a rear view thereof;
FIG. 4 is a right side view thereof;
FIG. 5 is a left side view thereof;
FIG. 6 is a top plan view thereof;
FIG. 7 is a bottom plan view thereof; and,
FIG. 8 is a bottom perspective view thereof.

1 Claim, 6 Drawing Sheets



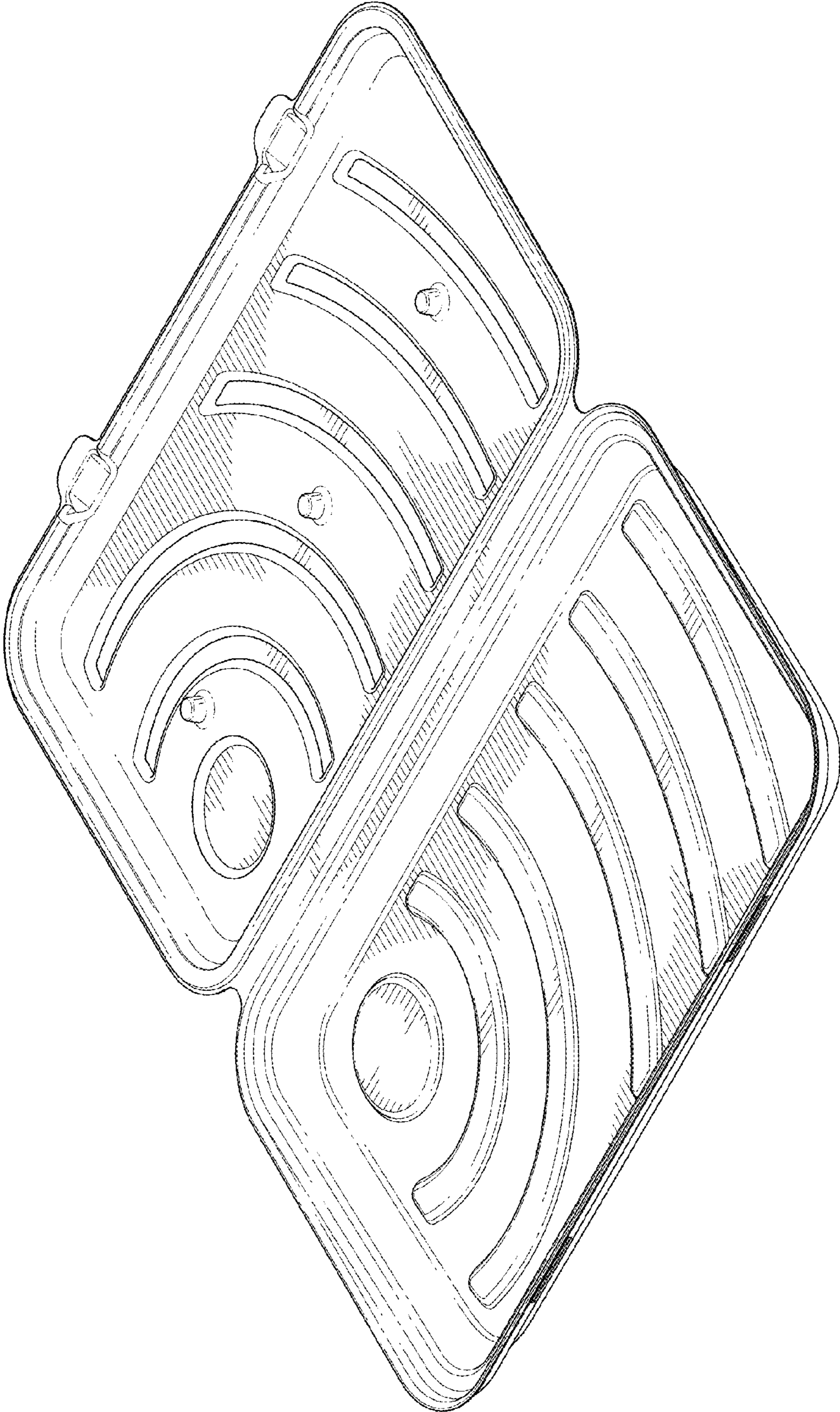


FIG. 1

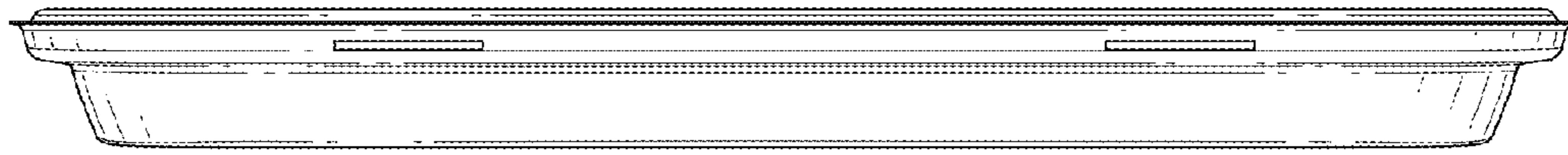


FIG. 2

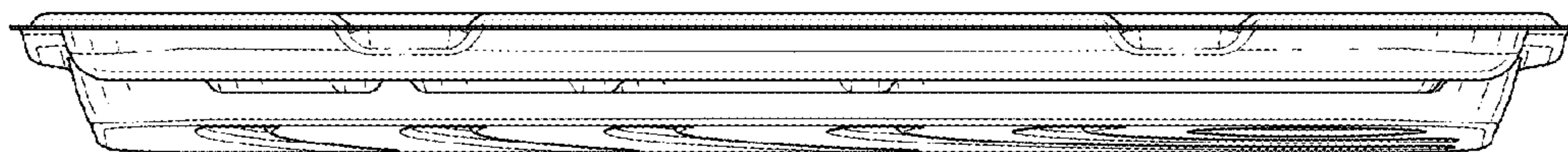


FIG. 3

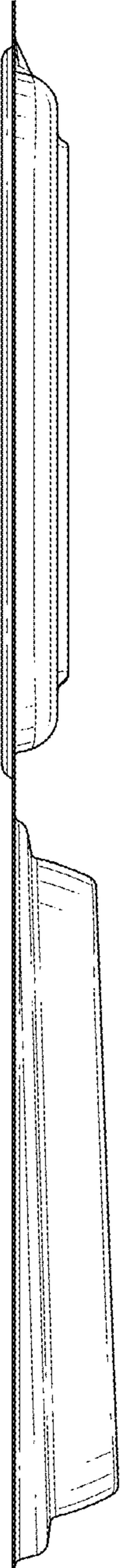


FIG. 4



FIG. 5

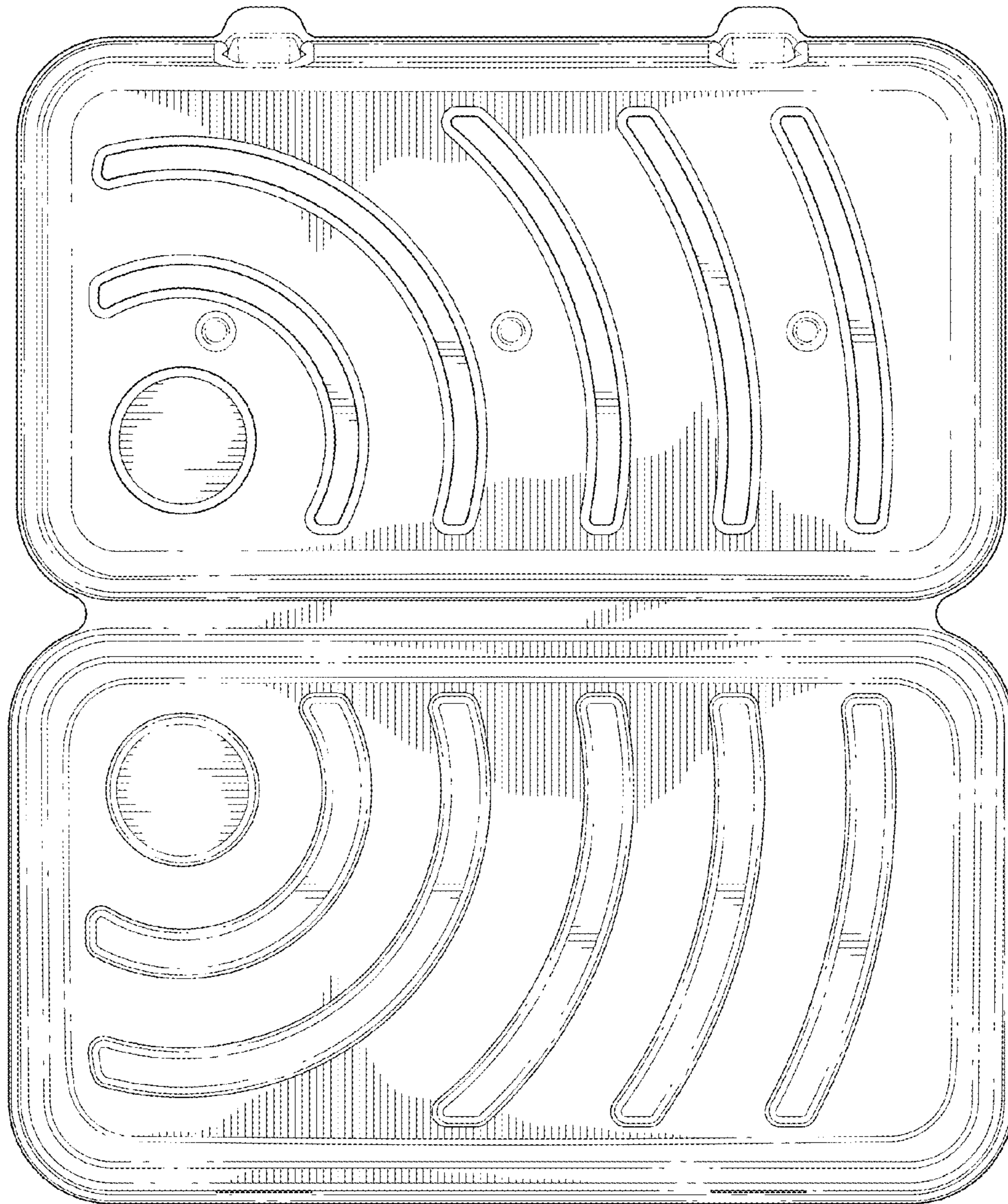


FIG.6

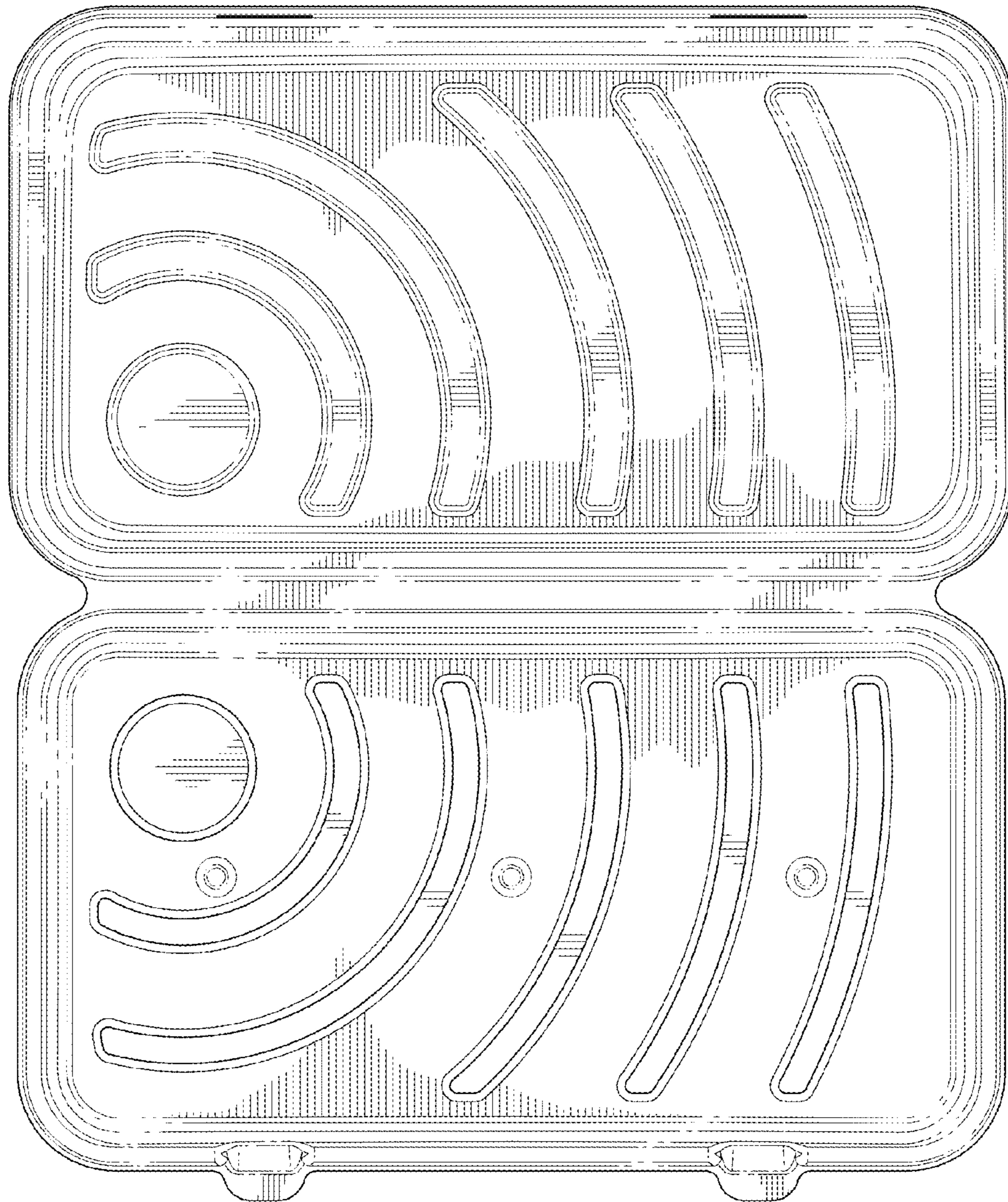


FIG. 7

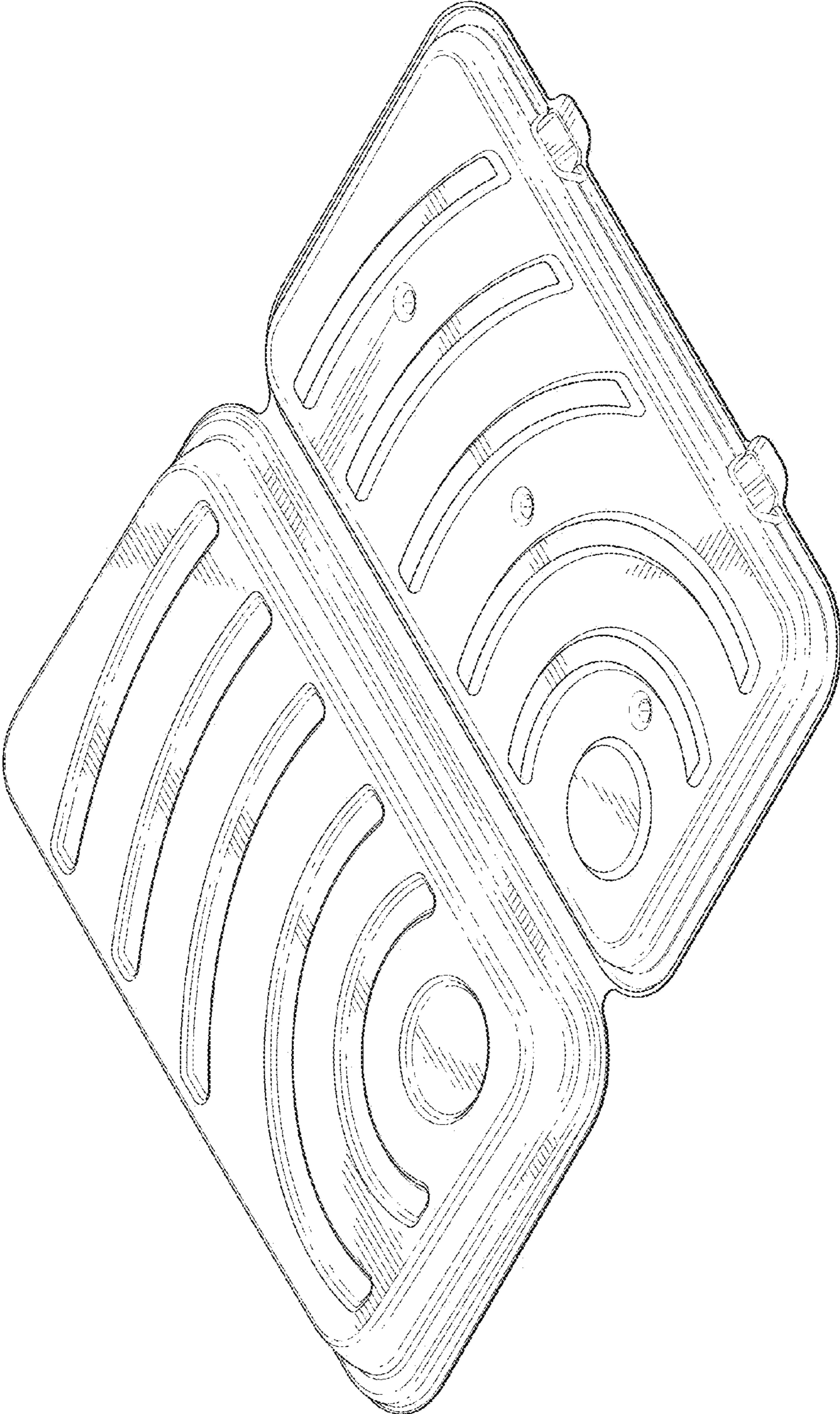


FIG. 8