

US00D735571S

(12) **United States Design Patent**
Futase

(10) **Patent No.:** **US D735,571 S**

(45) **Date of Patent:** **** Aug. 4, 2015**

(54) **PAPER PACKAGING CONTAINER**

FOREIGN PATENT DOCUMENTS

(71) Applicant: **YUSHIN CO., LTD.**, Niigata (JP)

JP D1448218 7/2012

(72) Inventor: **Katsunori Futase**, Saitama (JP)

OTHER PUBLICATIONS

(73) Assignee: **YUSHIN CO., LTD.**, Niigata (JP)

Japan Office action, mail date Sep. 18, 2012 with English language translation.

(**) Term: **14 Years**

Japan Office action, mail date Jan. 11, 2013 with English language translation.

(21) Appl. No.: **29/437,338**

* cited by examiner

(22) Filed: **Nov. 15, 2012**

Primary Examiner — Holly Baynham

Assistant Examiner — Rhea Shields

(30) **Foreign Application Priority Data**

May 24, 2012 (JP) D2012-012165

(51) **LOC (10) Cl.** **09-03**

(52) **U.S. Cl.**

USPC **D9/416**

(58) **Field of Classification Search**

USPC D9/414, 415, 416, 417, 418, 419, 420,
D9/424, 430, 431-433, 440, 457, 346, 732,
D9/703, 423, 772, 776-779; D6/682.4;
D11/207; 40/124.01, 124.16, 124.191;
206/39, 337, 538, 704, 461, 462, 463,
206/471; 229/72, 75, 113, 116

See application file for complete search history.

(56) **References Cited**

U.S. PATENT DOCUMENTS

D597,852 S *	8/2009	Rea et al.	D9/703
D609,581 S *	2/2010	Doyal	D9/703
D685,648 S *	7/2013	Berman	D9/710
D687,718 S *	8/2013	Copeland et al.	D9/708
D687,719 S *	8/2013	Last	D9/709
D687,721 S *	8/2013	Karwowska	D9/710
D688,139 S *	8/2013	Larkin et al.	D9/709

(57) **CLAIM**

I claim the ornamental design for a paper packaging container, as shown and described.

DESCRIPTION

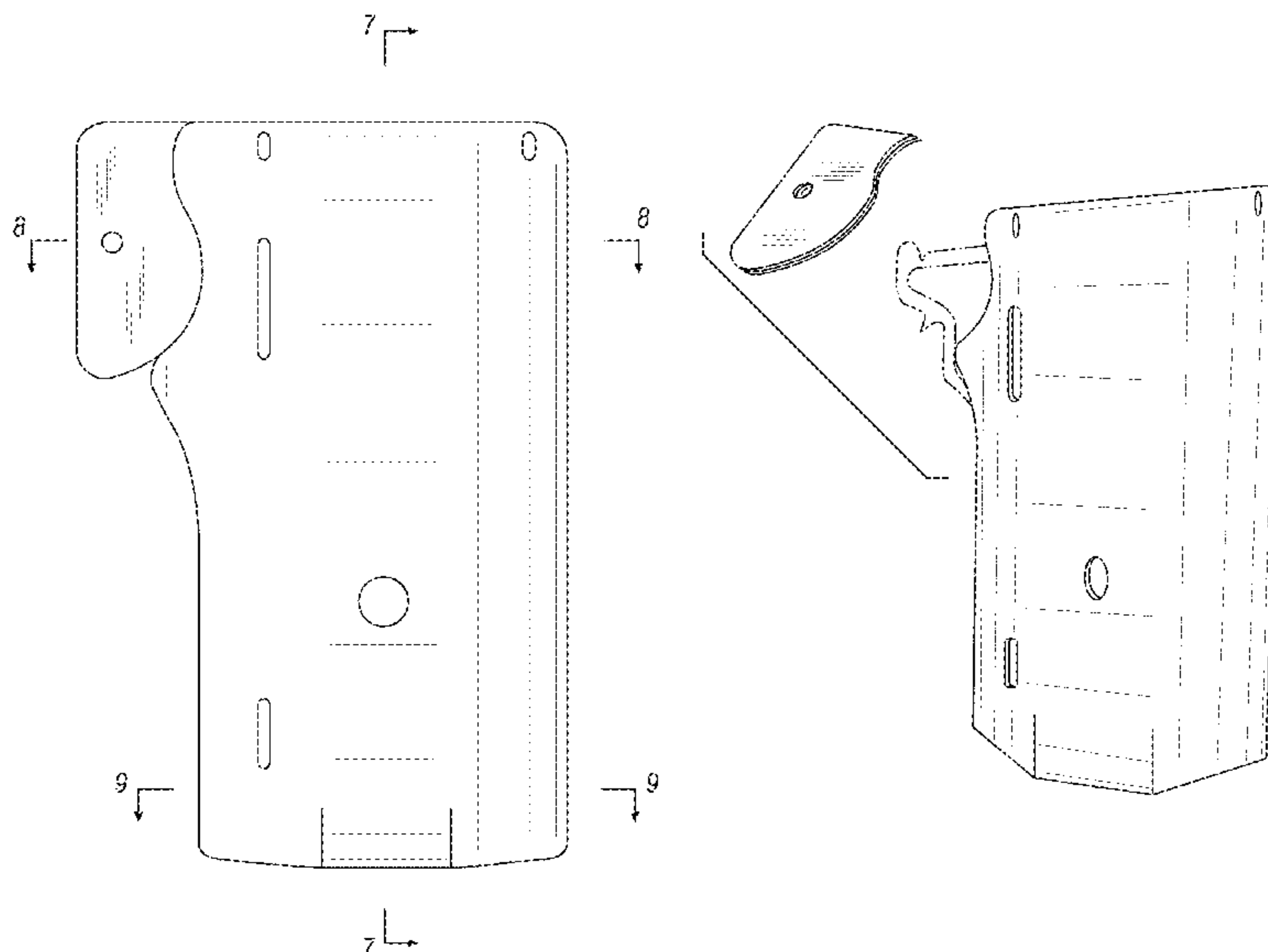
FIG. 1 is a front elevational view of a paper container, showing my new design;
FIG. 2 is a right side elevational view thereof;
FIG. 3 is a left side elevational view thereof;
FIG. 4 is a top view thereof;
FIG. 5 is a bottom view thereof;
FIG. 6 is a rear elevational view thereof;
FIG. 7 is a cross-sectional view taken along line 7-7 in FIG. 1;
FIG. 8 is a cross-sectional view taken along line 8-8 in FIG. 1;
FIG. 9 is a cross-sectional view taken along line 9-9 in FIG. 1;
and,

FIG. 10 is a front perspective view of a paper packaging container shown in use.

The broken lines in FIGS. 5 and 10 illustrate unclaimed environment only and form no part of the claimed design.

The paper packaging container is related to a self-standing paper container which stores and conserves a non-self-supporting type liquid-filled packaging body formed by packing various kinds of liquids into a flexible package bag provided with a protrusion of a film shaped pouring nozzle.

1 Claim, 6 Drawing Sheets



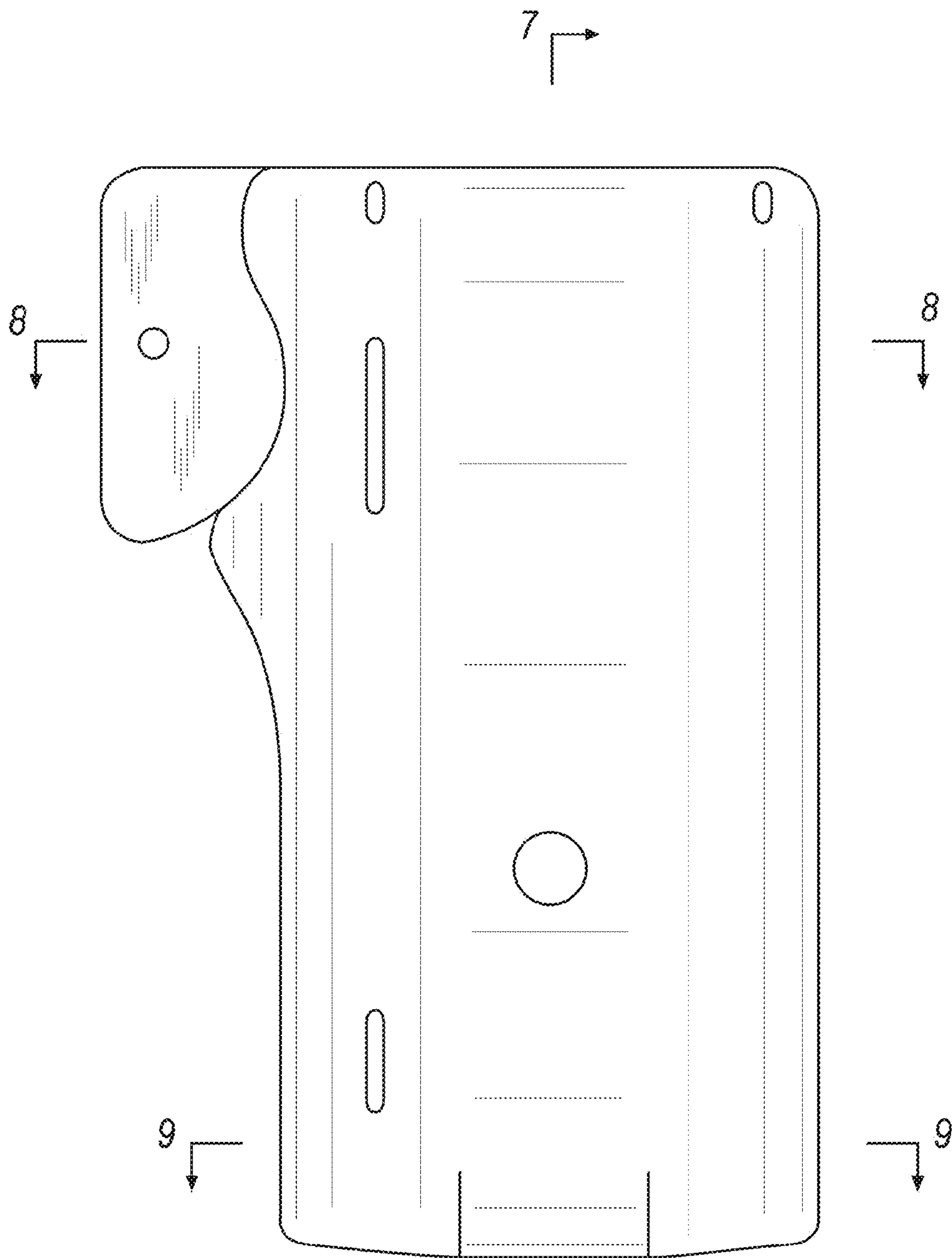


FIG. 1

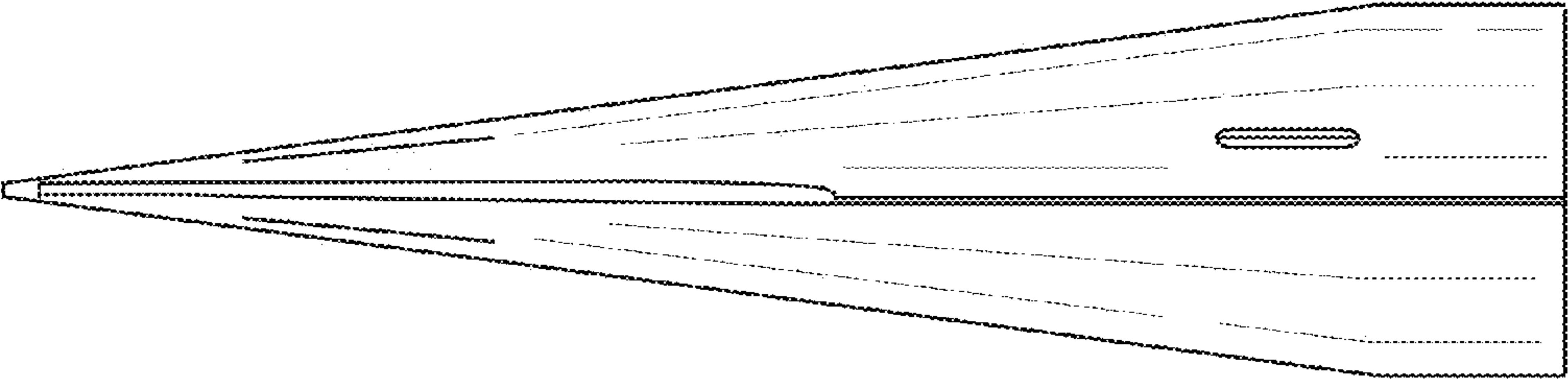


FIG. 3

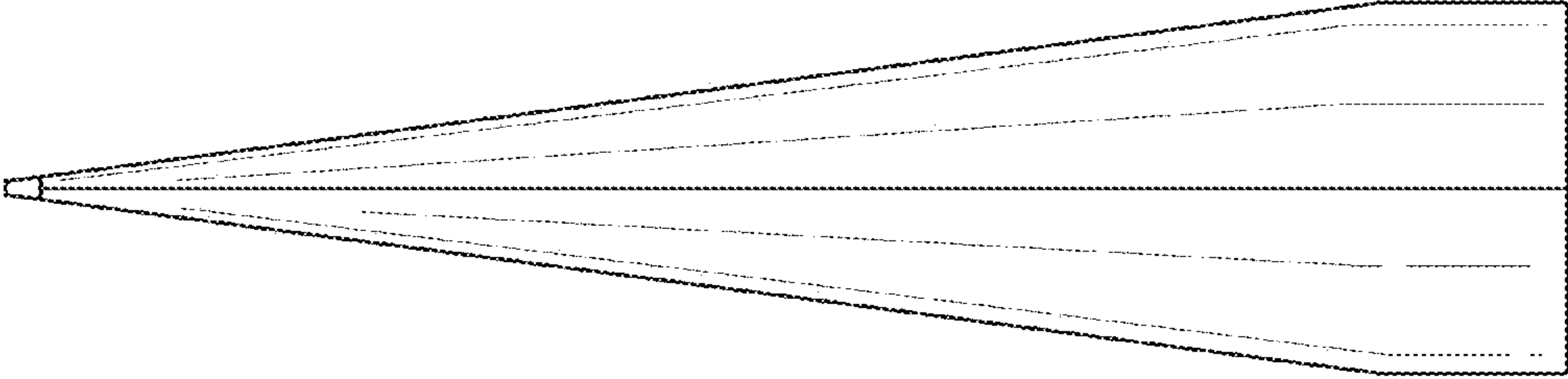


FIG. 2

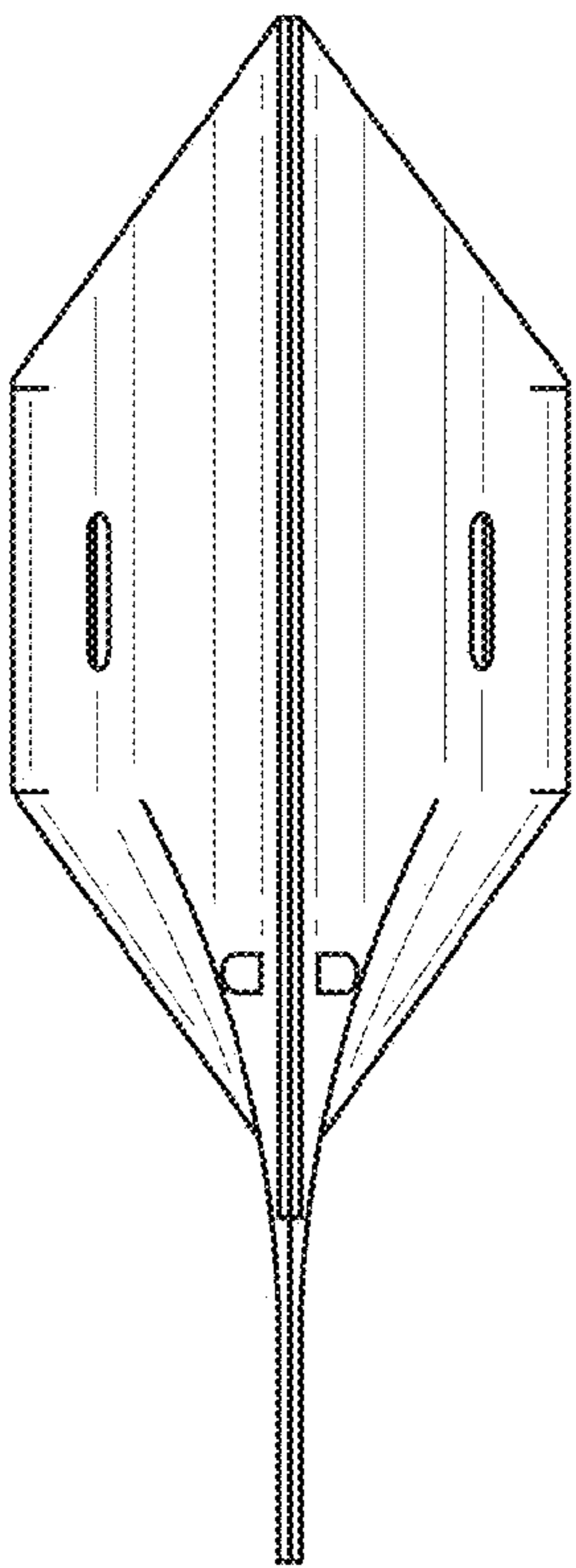


FIG. 4

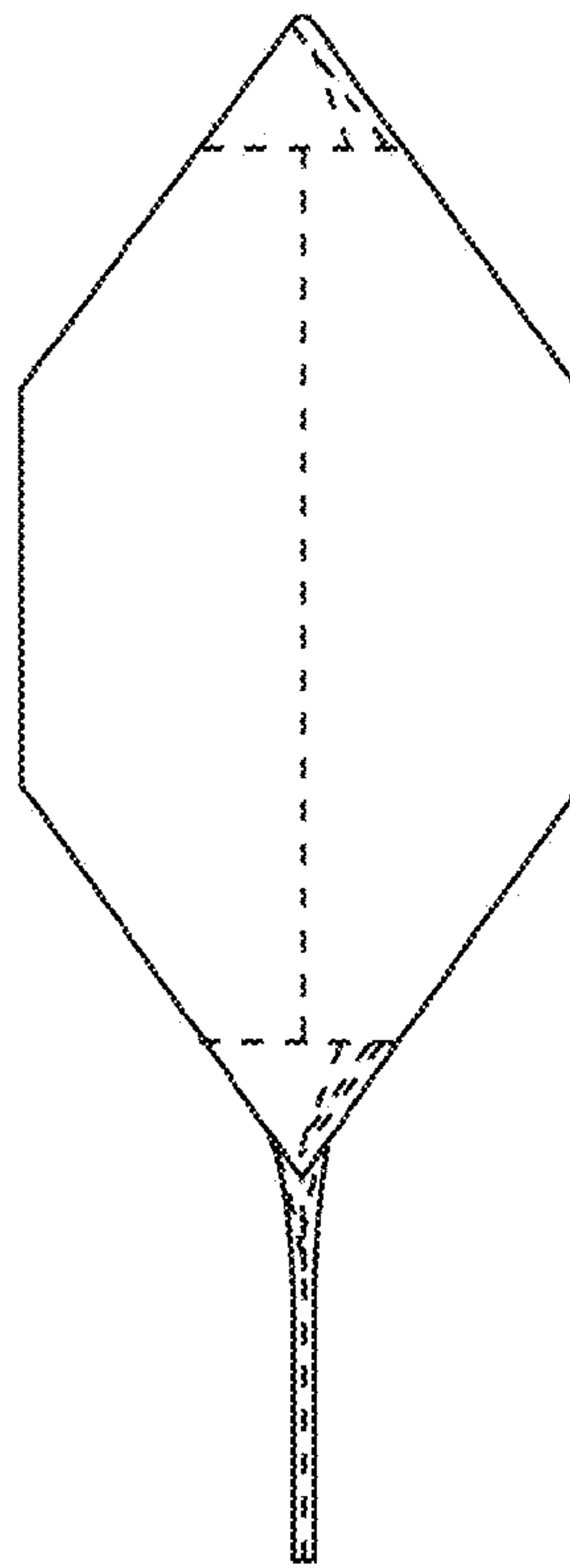


FIG. 5

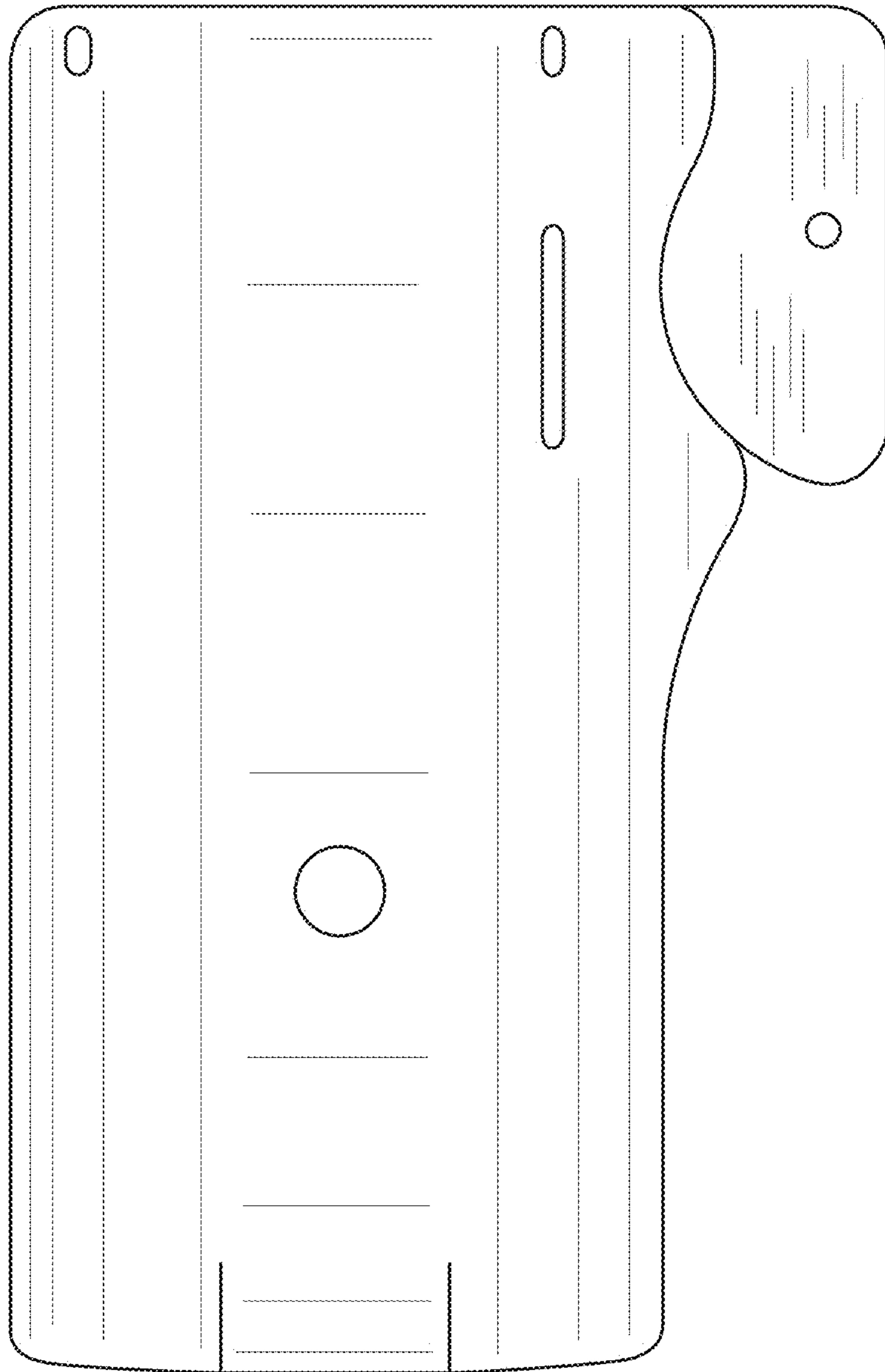


FIG. 6

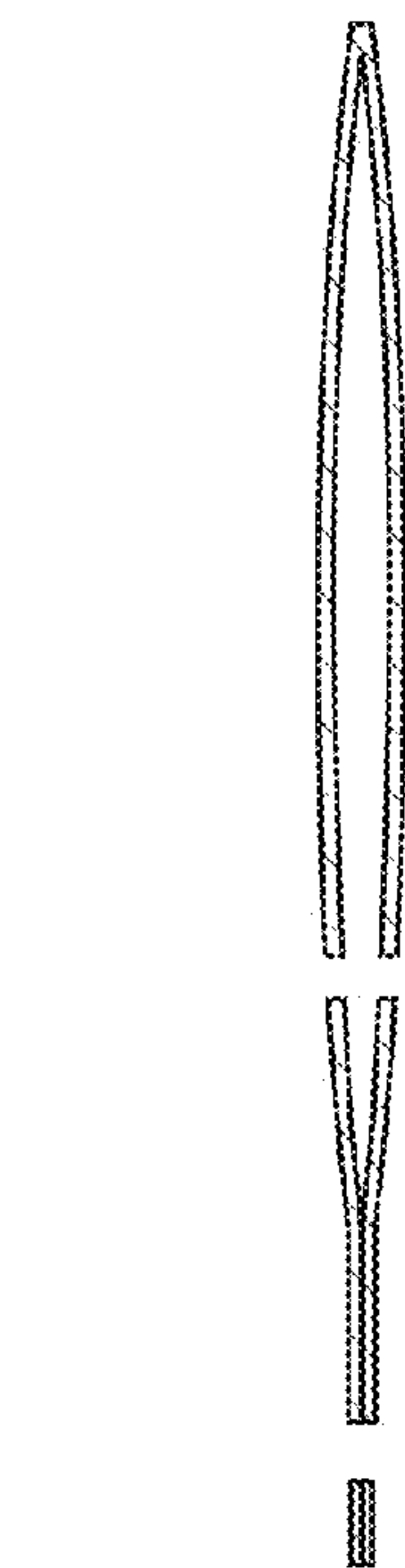


FIG. 8

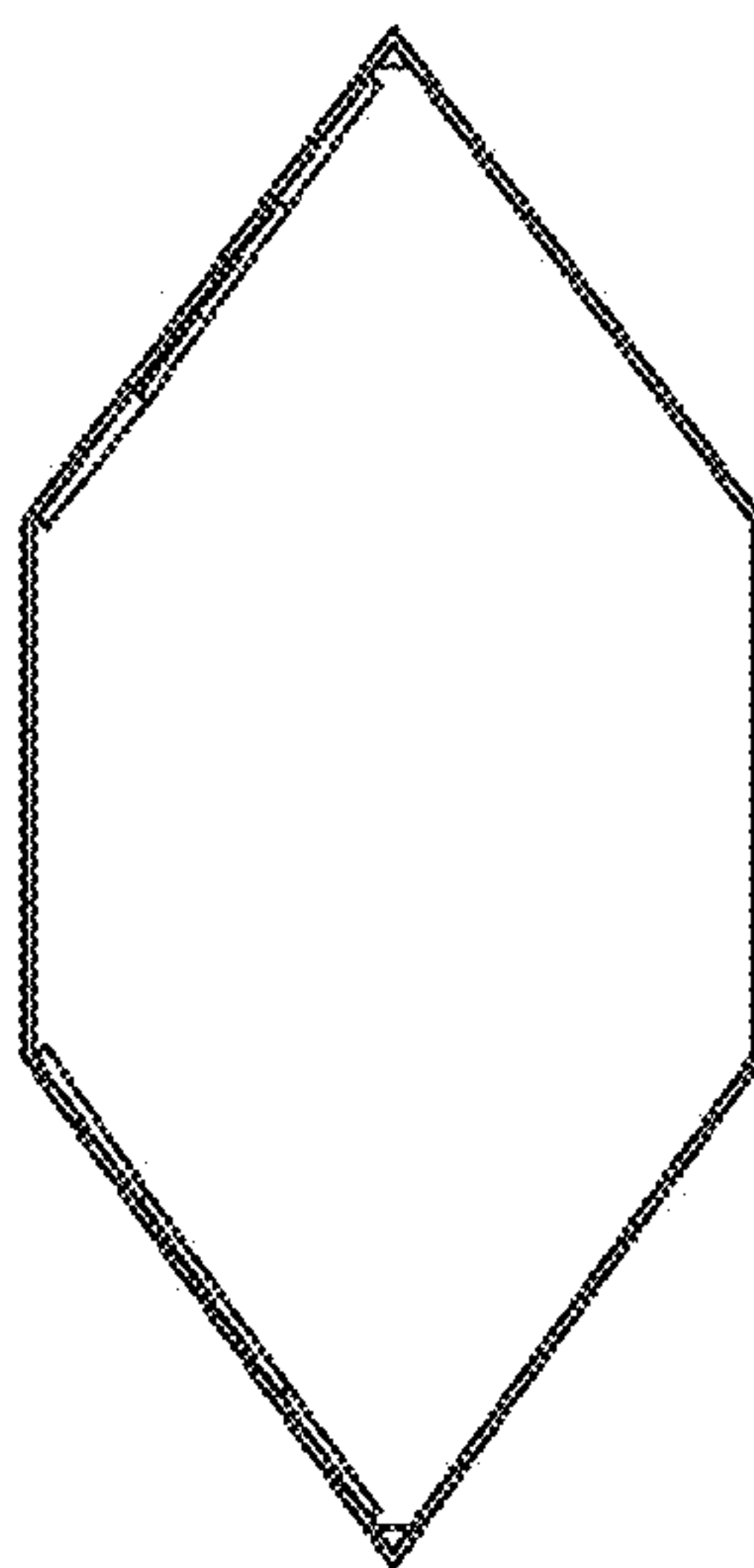


FIG. 9

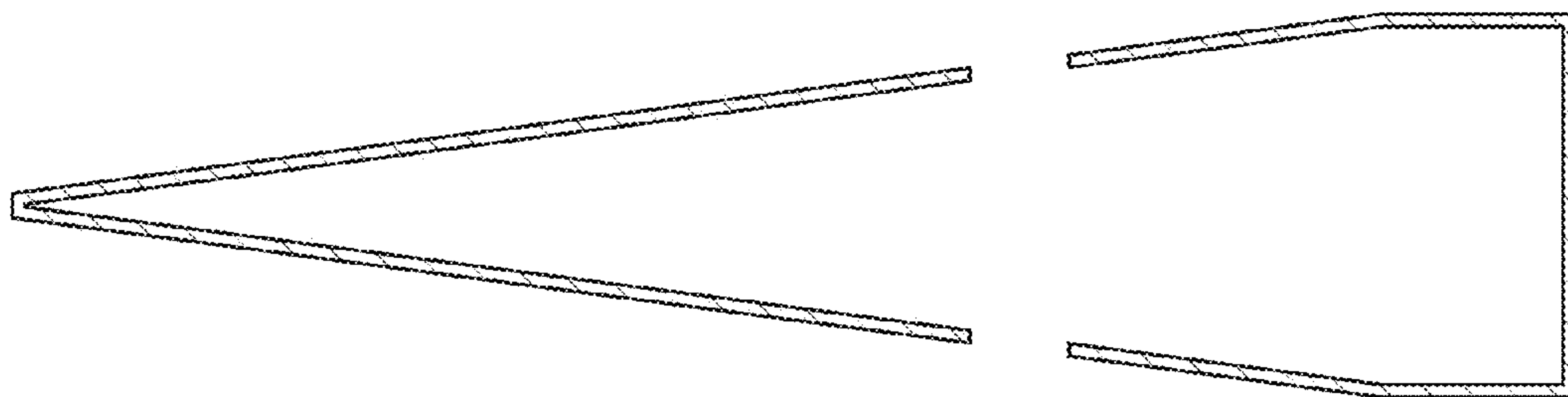


FIG. 7

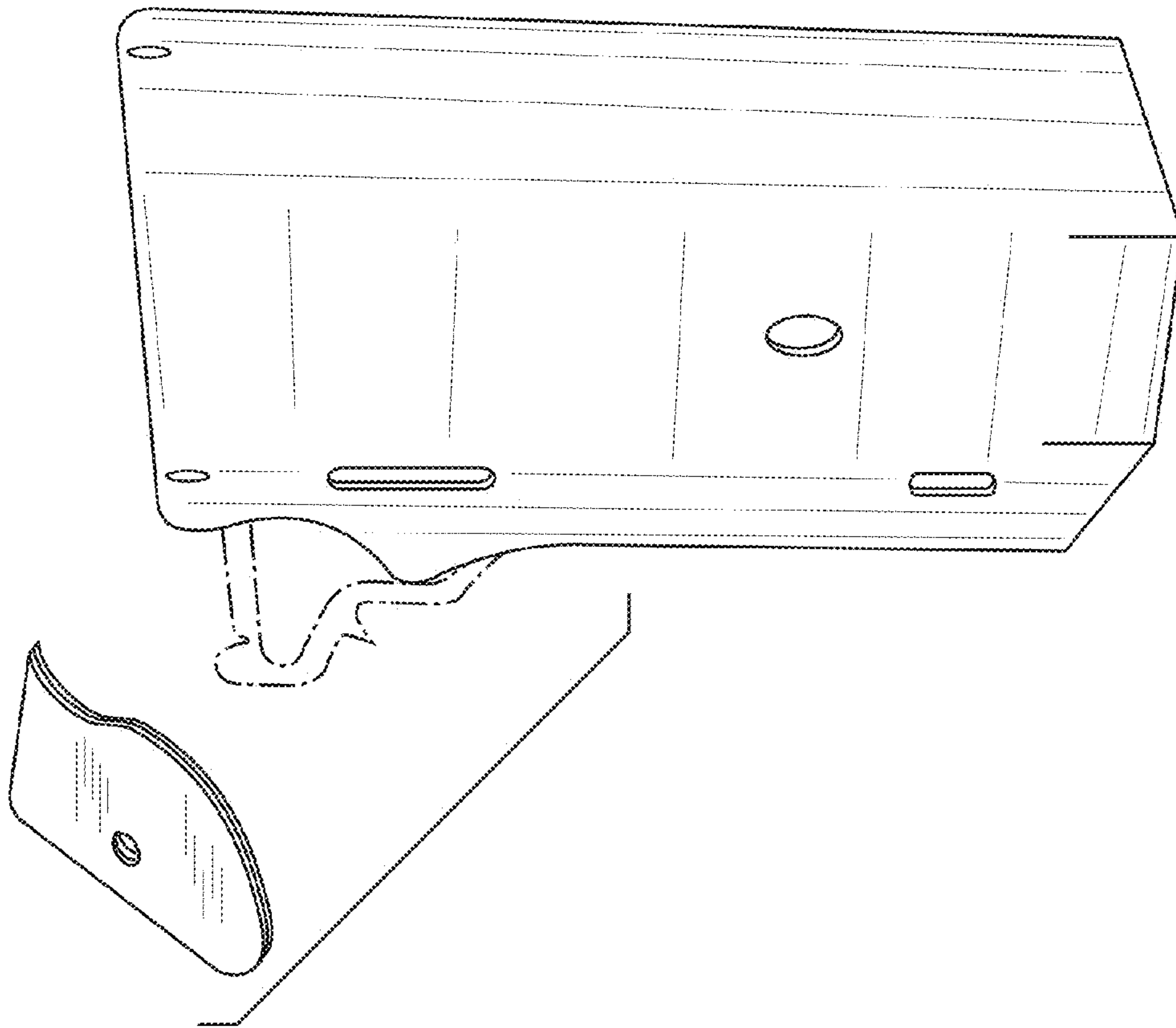


FIG. 10