



US00D735569S

(12) **United States Design Patent**  
**Reusing et al.**

(10) **Patent No.:** **US D735,569 S**

(45) **Date of Patent:** **\*\* Aug. 4, 2015**

(54) **PILE HEAD CONNECTOR**

(71) Applicant: **GOLIATHTECH INC.**, Magog (CA)

(72) Inventors: **Julian L. Reusing**, Magog (CA);  
**Predrag Pudar**, Montréal (CA)

(73) Assignee: **GOLIATHTECH INC.**, Magog,  
Quebec (CA)

(\*\*) Term: **14 Years**

(21) Appl. No.: **29/471,020**

(22) Filed: **Oct. 28, 2013**

(30) **Foreign Application Priority Data**

Aug. 22, 2013 (CA) ..... 152578

(51) **LOC (10) Cl.** ..... **08-08**

(52) **U.S. Cl.**  
USPC ..... **D8/397**

(58) **Field of Classification Search**  
USPC ..... D8/397; 52/698, 705, 651.04;  
405/252.1, 285, 231, 228

See application file for complete search history.

(56) **References Cited**

U.S. PATENT DOCUMENTS

4,180,958 A \* 1/1980 Brody ..... 52/747.11  
D295,370 S \* 4/1988 Carlo et al. .... D8/397  
D311,131 S \* 10/1990 Saito ..... D8/397  
2012/0087741 A1\* 4/2012 Desmeules ..... 405/251

\* cited by examiner

*Primary Examiner* — Doris Clark

(74) *Attorney, Agent, or Firm* — McDonnell Boehnen  
Hulbert & Berghoff LLP

(57) **CLAIM**

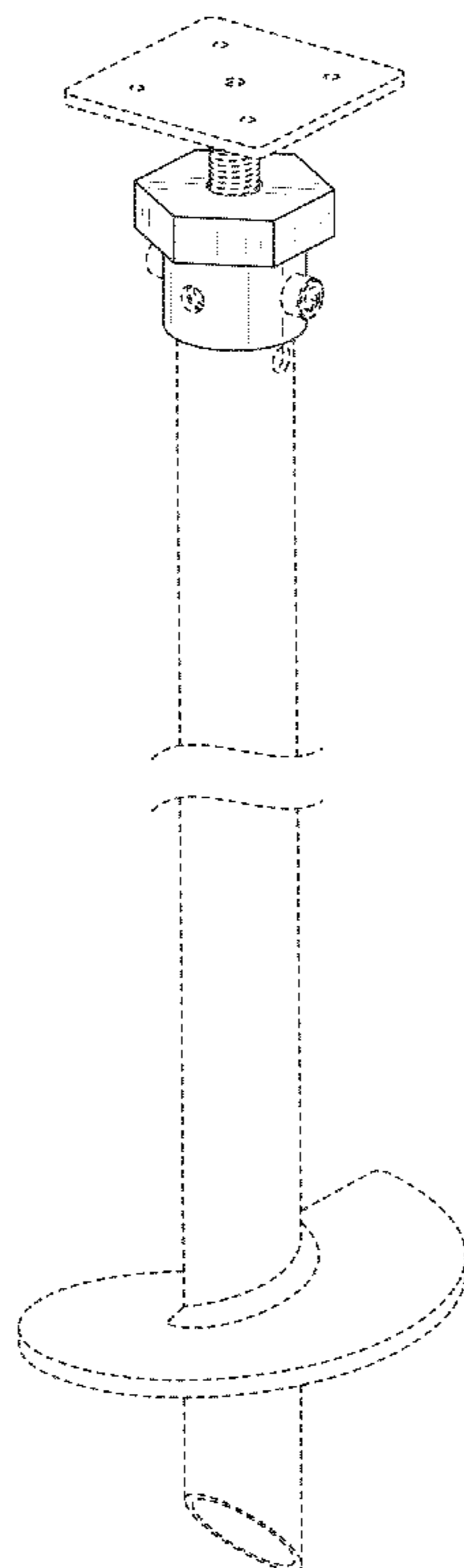
The ornamental design for a pile head connector, as shown  
and described.

**DESCRIPTION**

FIG. 1 is a perspective view of a pile head connector, accord-  
ing to our new design;  
FIG. 2 is a front elevation view thereof;  
FIG. 3 is a rear elevation view thereof;  
FIG. 4 is a left side elevation view thereof;  
FIG. 5 is a right side elevation view thereof;  
FIG. 6 is a top plan view thereof;  
FIG. 7 is a bottom plan view thereof; and,  
FIG. 8 is a perspective view of the pile head connector shown  
on a pile in dotted lines.

Throughout the Figures, where shown the dotted lines show-  
ing additional structure of the pile head connector or the  
environment are for illustrative purposes only and form no  
part of the claimed design.

**1 Claim, 5 Drawing Sheets**



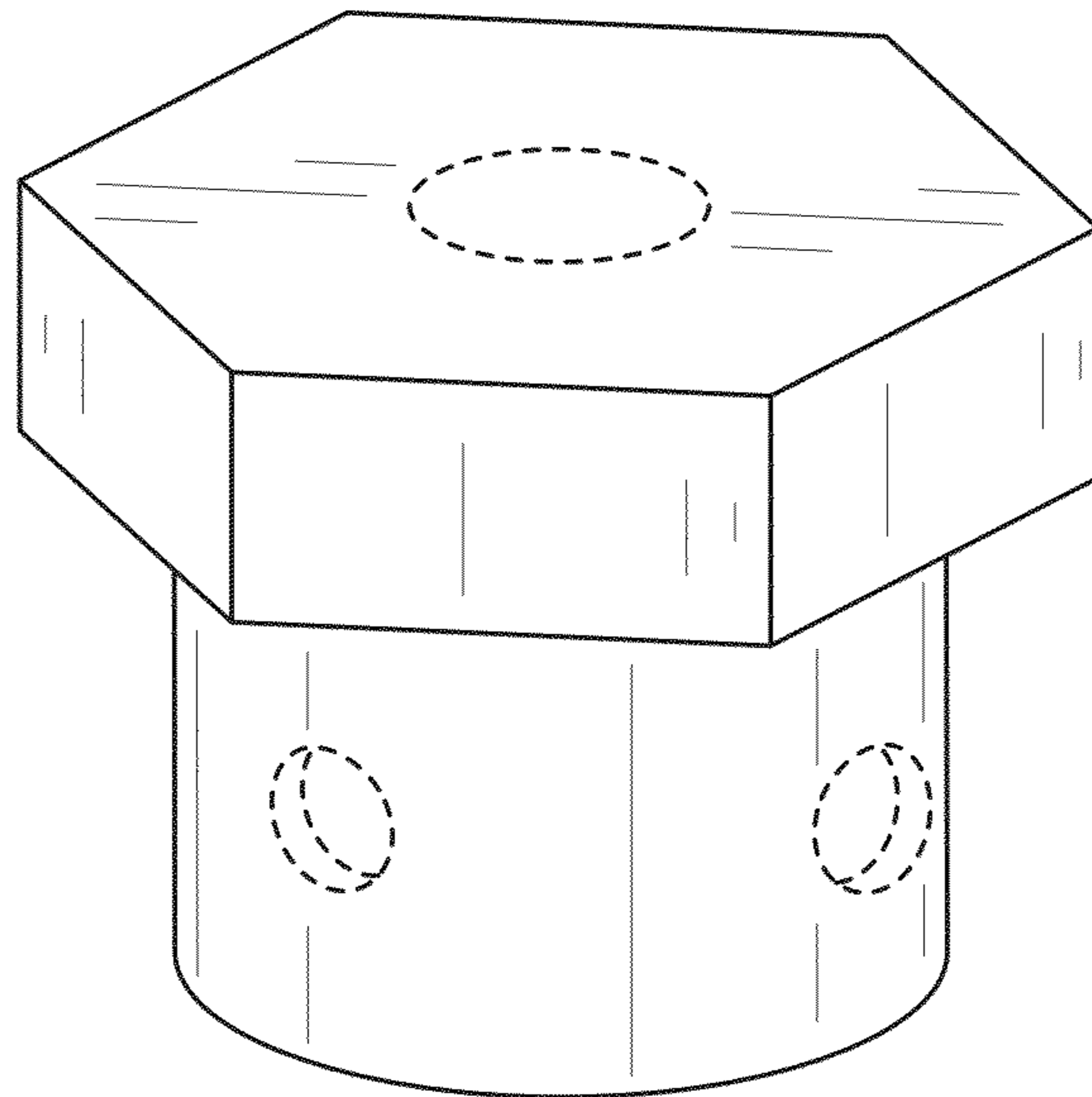


FIG. 1

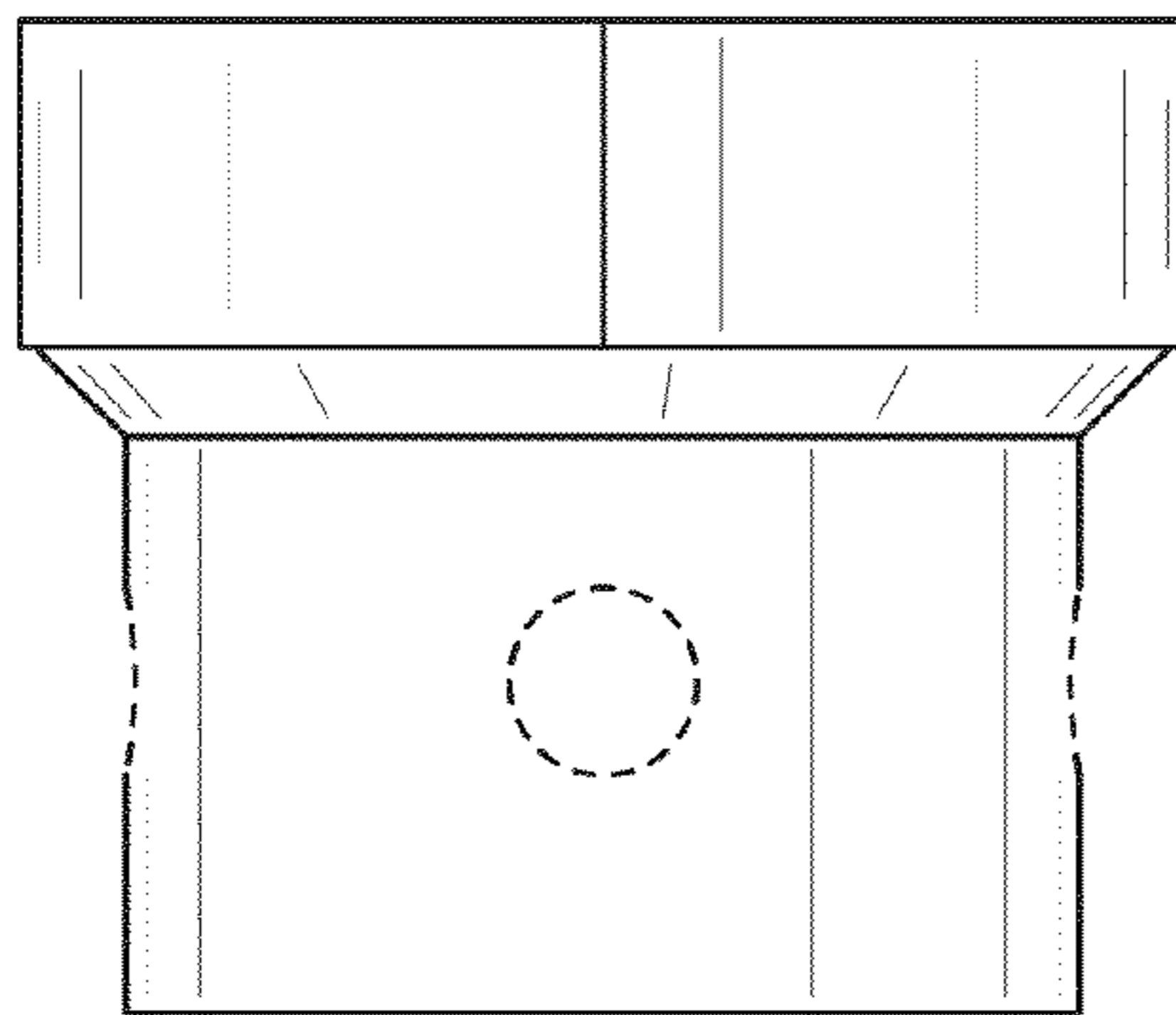


FIG. 2

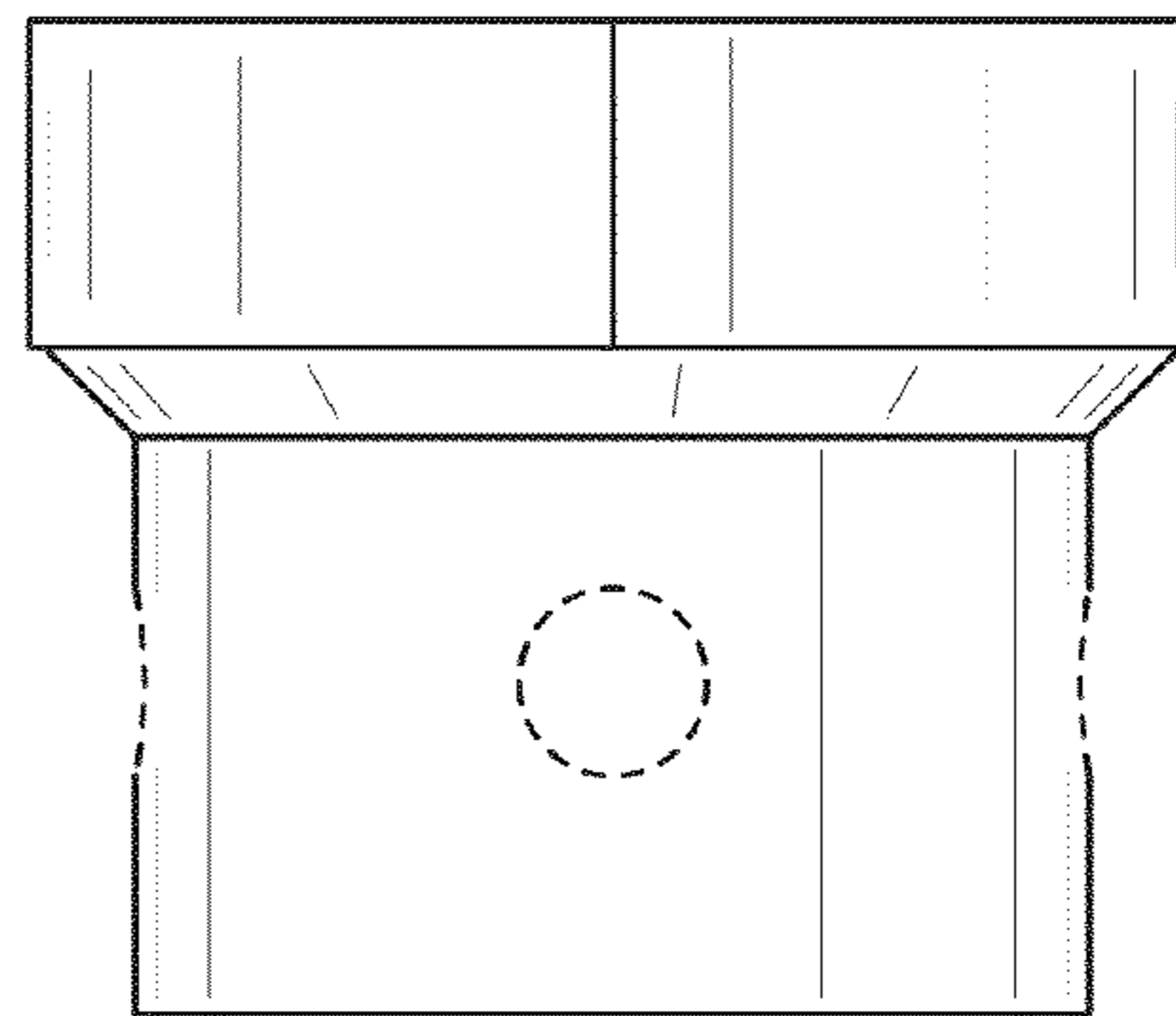


FIG. 3

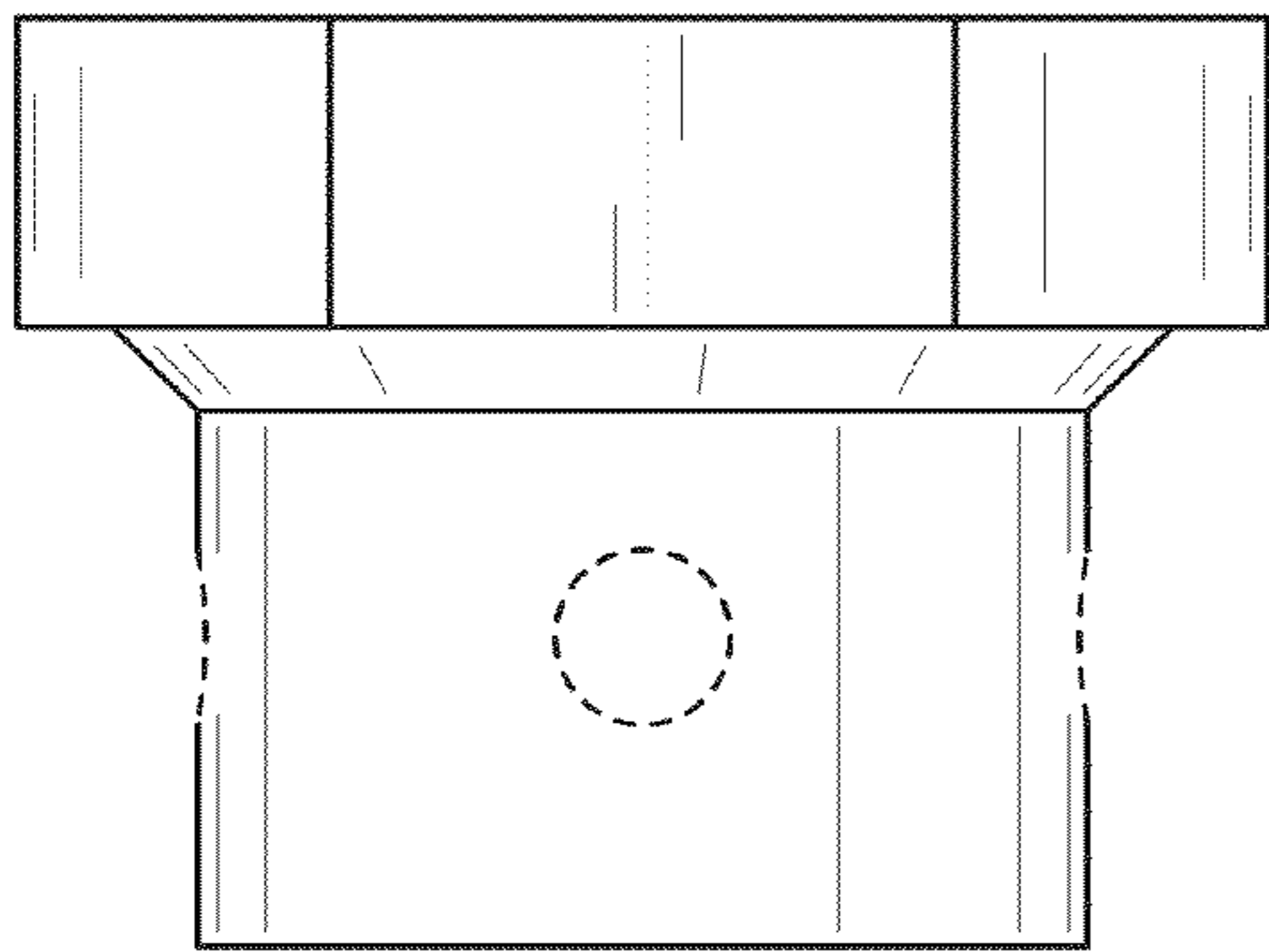


FIG. 4

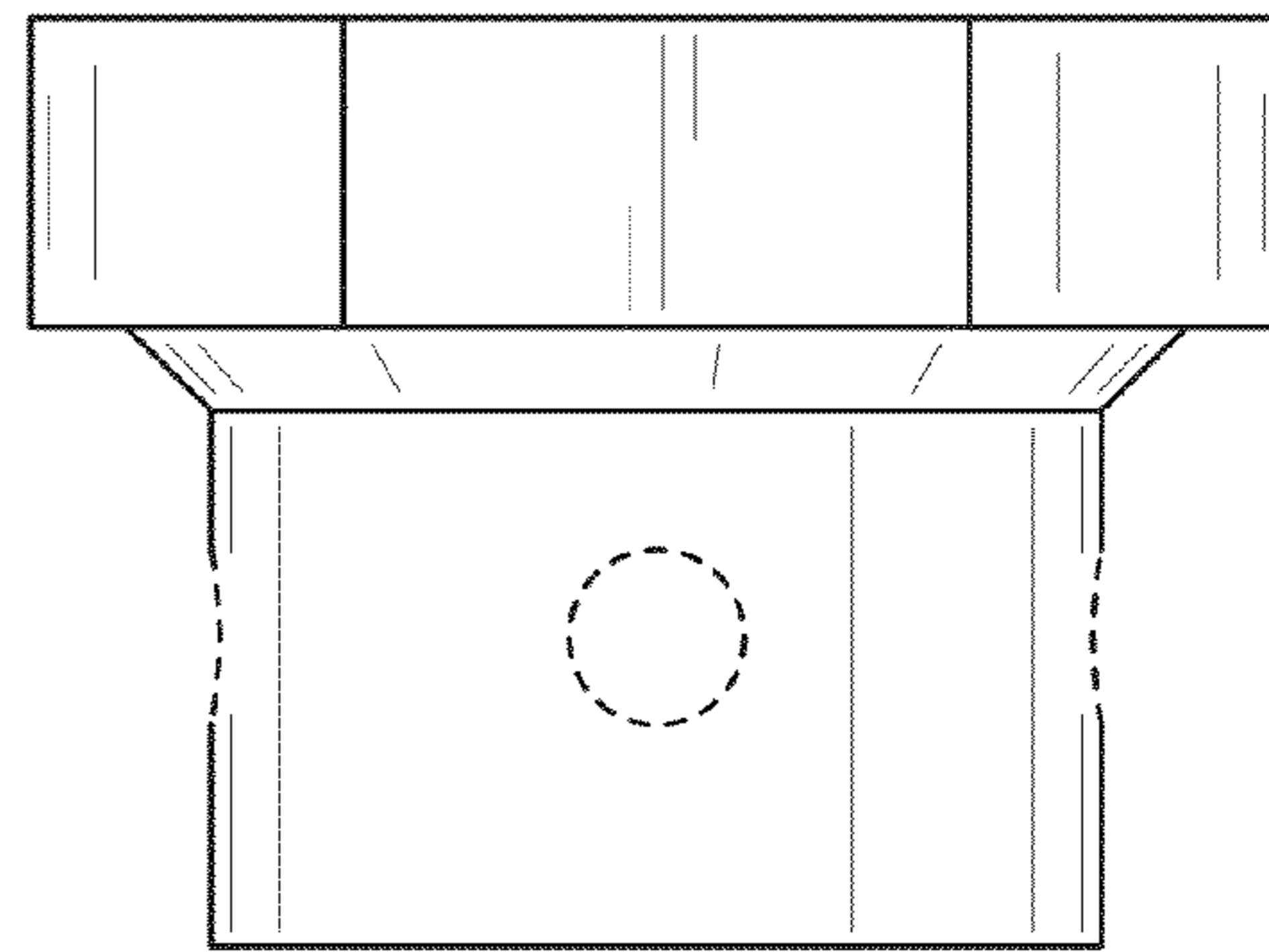


FIG. 5

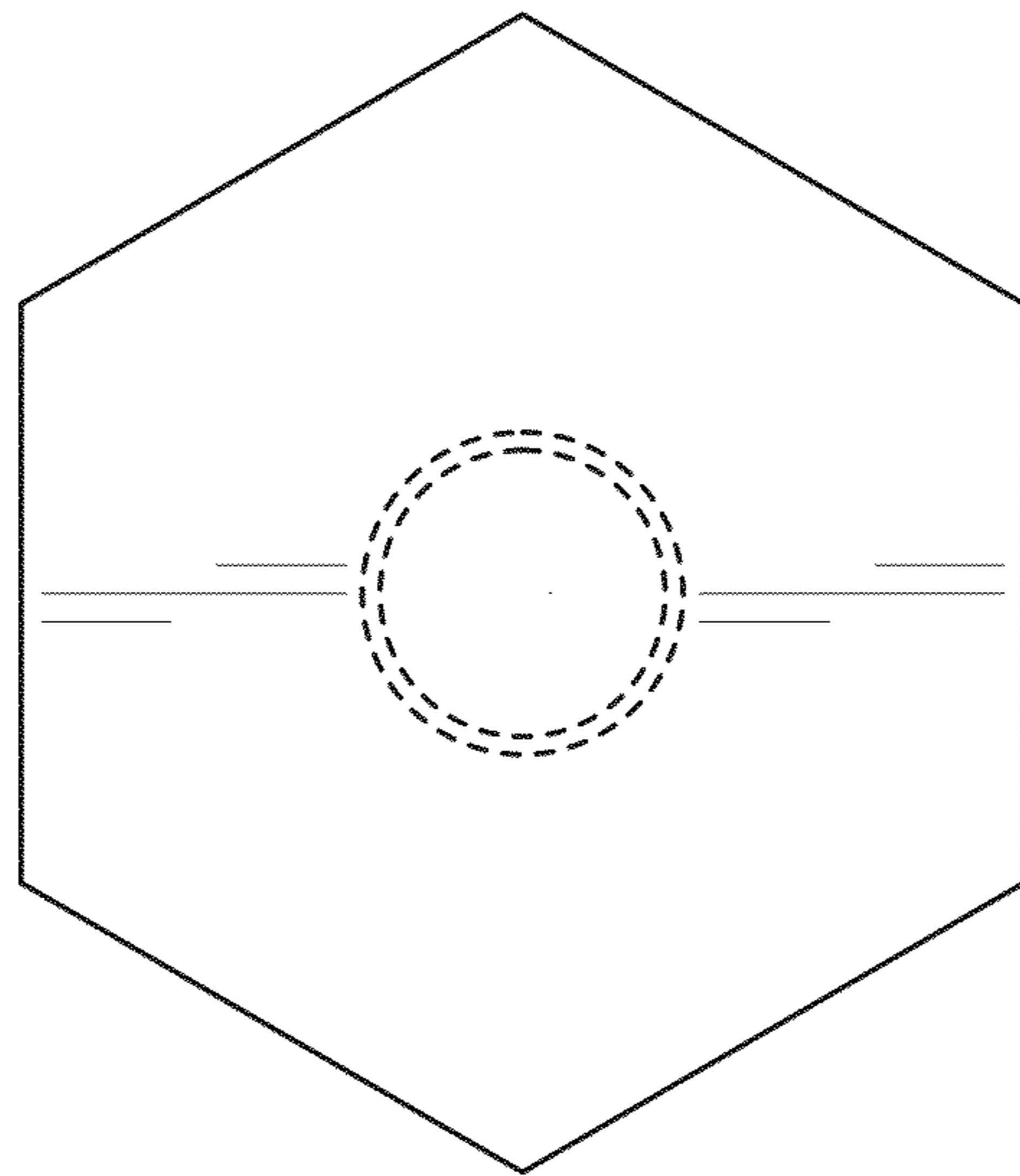


FIG. 6

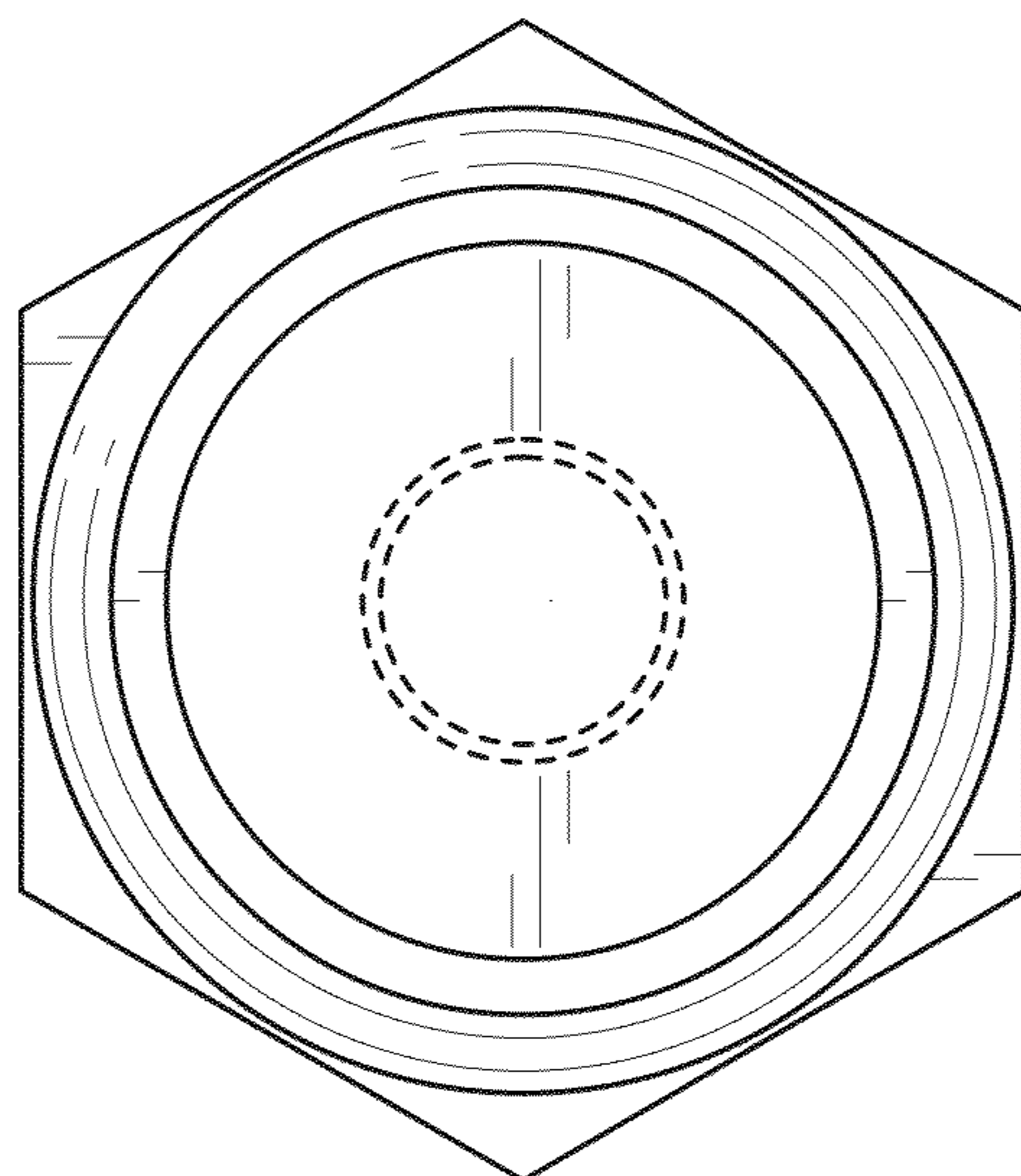


FIG. 7

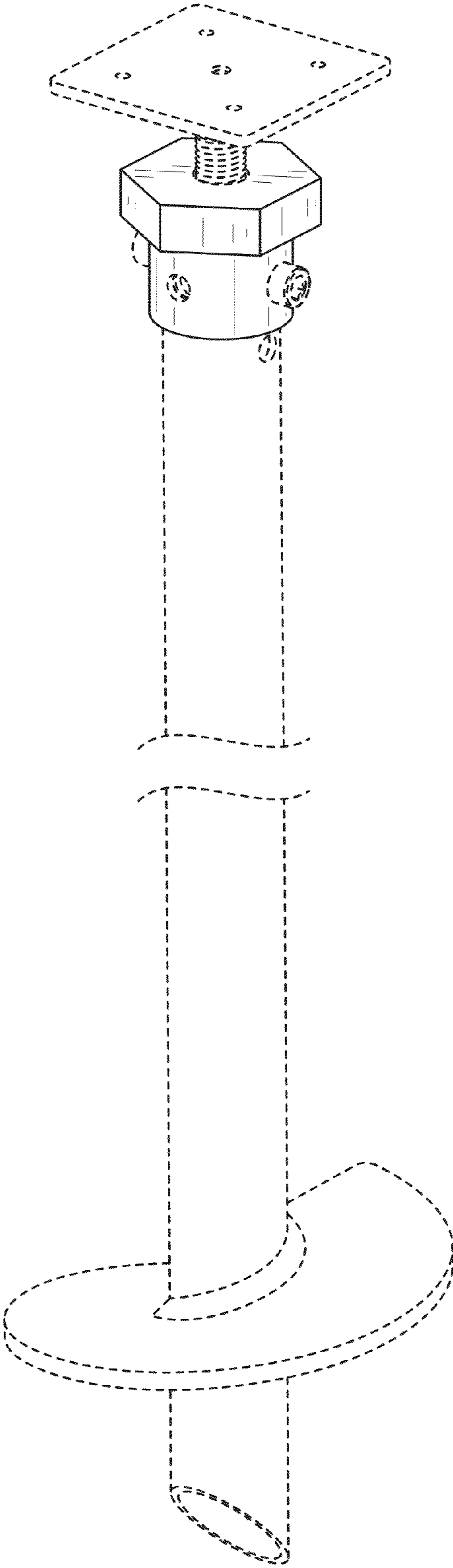


FIG. 8