

US00D735567S

(12) **United States Design Patent**
Kishida

(10) **Patent No.:** **US D735,567 S**

(45) **Date of Patent:** **** Aug. 4, 2015**

(54) **CAP FOR WHEEL NUT**

(71) Applicant: **KYO-EI INDUSTRIAL CORPORATION**, Osaka (JP)

(72) Inventor: **Daisaku Kishida**, Osaka (JP)

(73) Assignee: **KYO-EI INDUSTRIAL CORPORATION**, Osaka (JP)

(**) Term: **14 Years**

(21) Appl. No.: **29/477,678**

(22) Filed: **Dec. 24, 2013**

(51) **LOC (10) Cl.** **08-08**

(52) **U.S. Cl.**
USPC **D8/387**

(58) **Field of Classification Search**
USPC D8/397, 394, 382, 349, 399, 387, 392
CPC F16B 37/00; F16B 37/14; F16B 37/068;
F16B 39/10; F16B 37/02; F16B 39/32;
F16B 43/00

See application file for complete search history.

(56) **References Cited**

U.S. PATENT DOCUMENTS

3,269,250	A *	8/1966	Curtiss	411/410
D208,428	S *	8/1967	Holliday	D8/397
D243,582	S *	3/1977	Shirey	D23/316
D248,014	S *	5/1978	DeCaro	D8/387
D317,862	S *	7/1991	Yamamoto	D8/387
D370,624	S *	6/1996	DiBiagio	D8/382
5,700,121	A *	12/1997	Minola	411/432
D412,435	S *	8/1999	Cultice, Jr.	D8/397
D478,806	S *	8/2003	McDonough et al.	D8/387
D503,667	S *	4/2005	Keefer et al.	D12/197
D530,205	S *	10/2006	Lohrman	D9/453

D547,172	S *	7/2007	Kent et al.	D8/397
D566,640	S *	4/2008	Holz et al.	D12/197
D609,999	S *	2/2010	Andersson	D8/399
D622,582	S *	8/2010	Lottner et al.	D8/387
7,938,610	B2 *	5/2011	Kishida	411/429
D684,252	S *	6/2013	Okada et al.	D23/411
D684,678	S *	6/2013	Okada et al.	D23/411
D713,714	S *	9/2014	Kishida	D8/397
2008/0193259	A1 *	8/2008	Hill	411/533
2009/0114652	A1 *	5/2009	Nilsen et al.	220/288

OTHER PUBLICATIONS

Racing Composite R40 iCONIX, image post date unknown, site visited on May 6, 2015 (online), <<http://www.kyoei-ind.co.jp/sangyo/product/R40iCONIX.html>>.*

* cited by examiner

Primary Examiner — Sheryl Lane

Assistant Examiner — Ieisha Price

(74) *Attorney, Agent, or Firm* — Mori & Ward, LLP

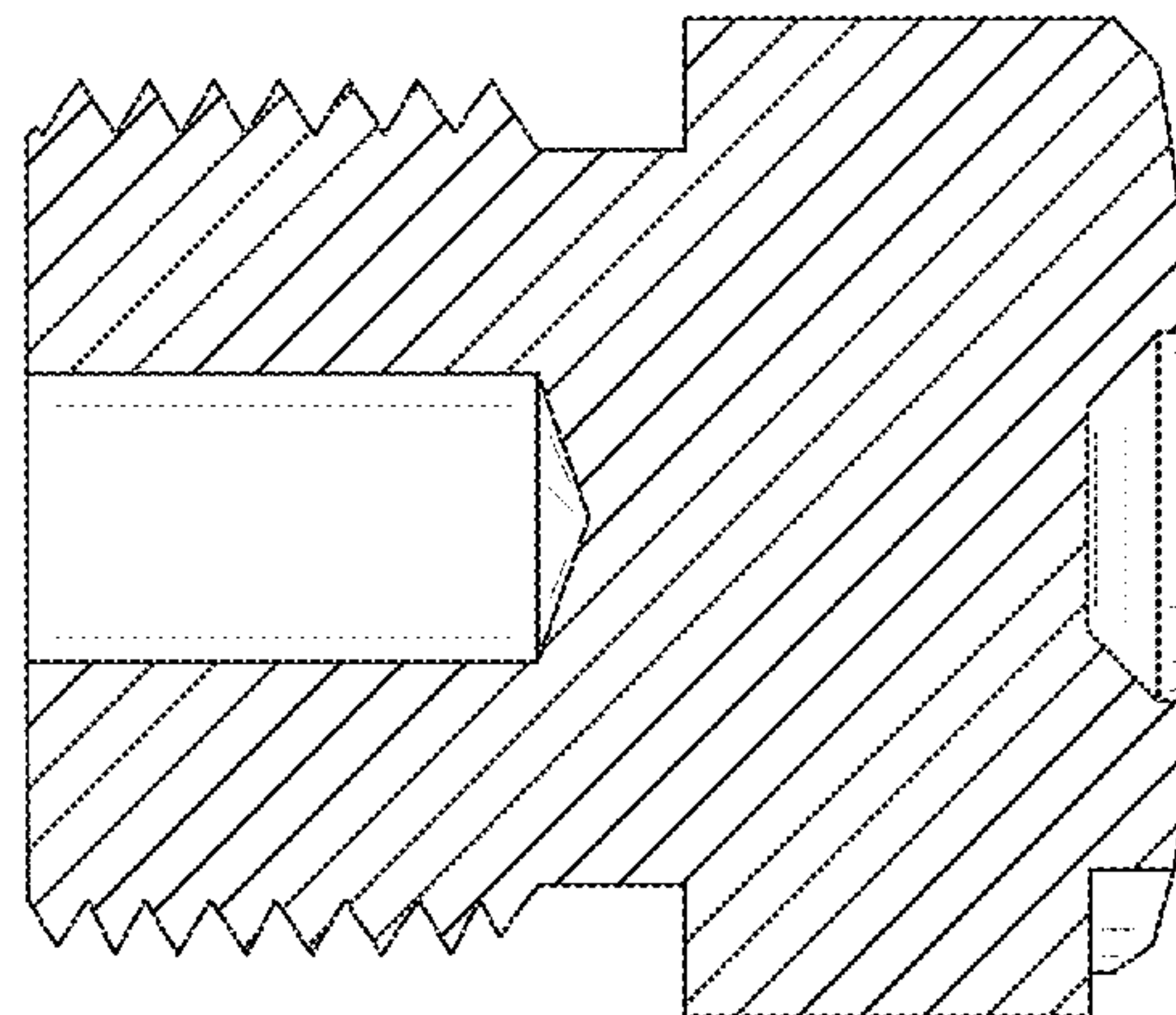
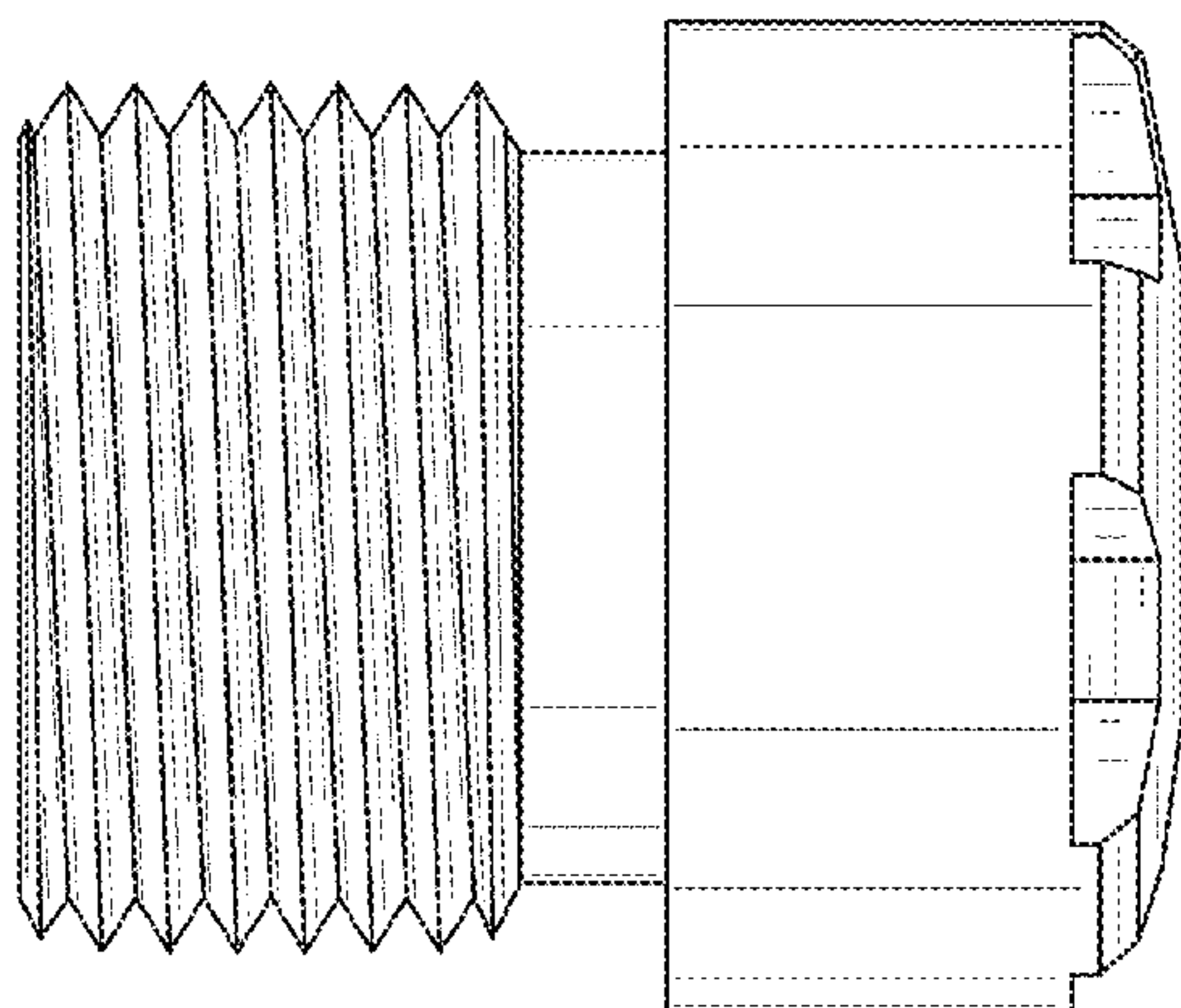
(57) **CLAIM**

The ornamental design for a cap for wheel nut, as shown and described.

DESCRIPTION

FIG. 1 is a front elevational view of a cap for wheel nut, showing my design;
FIG. 2 is a right side elevational view thereof;
FIG. 3 is a left side elevational view thereof;
FIG. 4 is a rear elevational view thereof;
FIG. 5 is a top, plan view thereof;
FIG. 6 is a bottom view thereof; and,
FIG. 7 is a cross-sectional view thereof taken along lines VII-VII in FIG. 2.

1 Claim, 4 Drawing Sheets



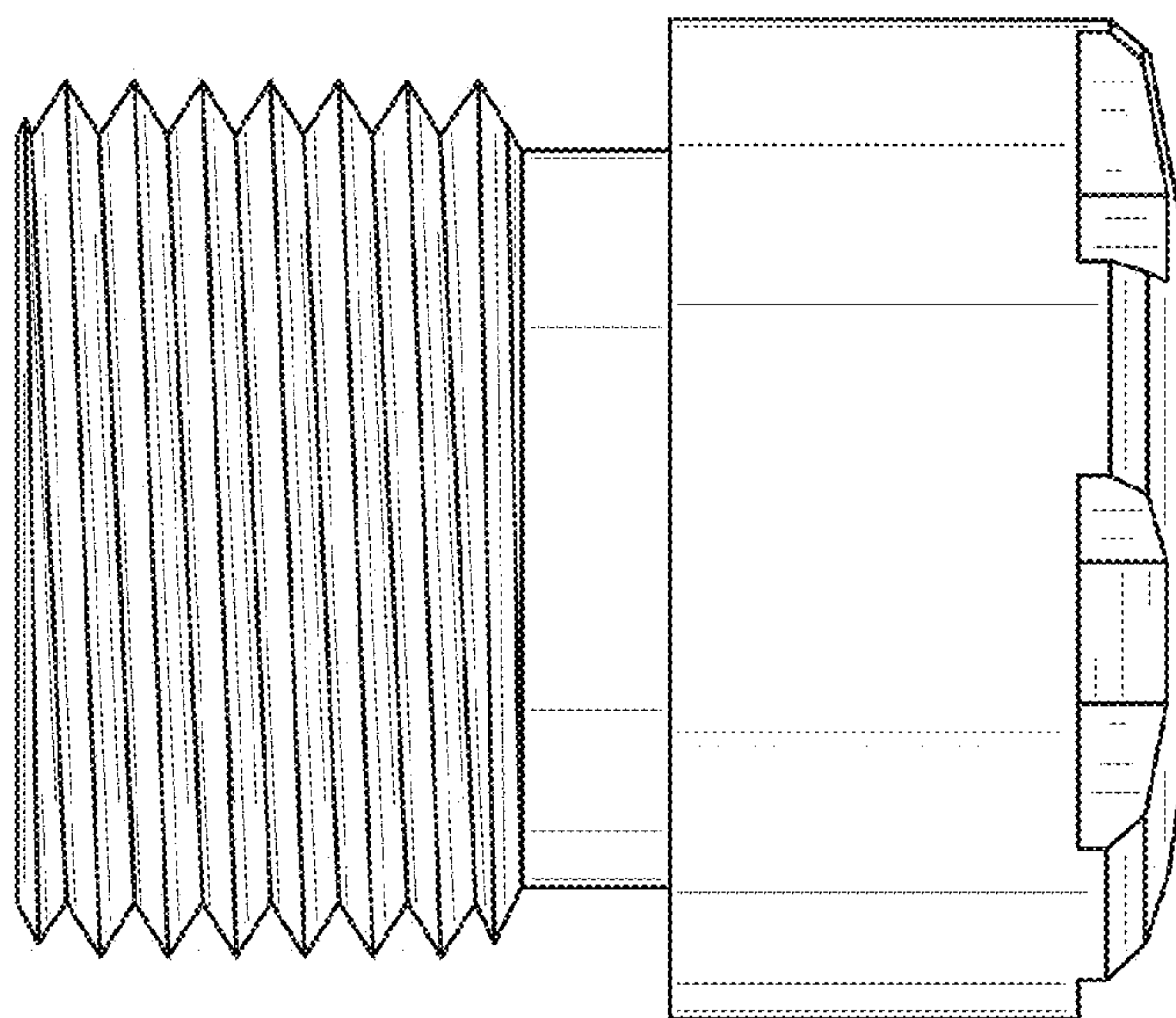


FIG. 1

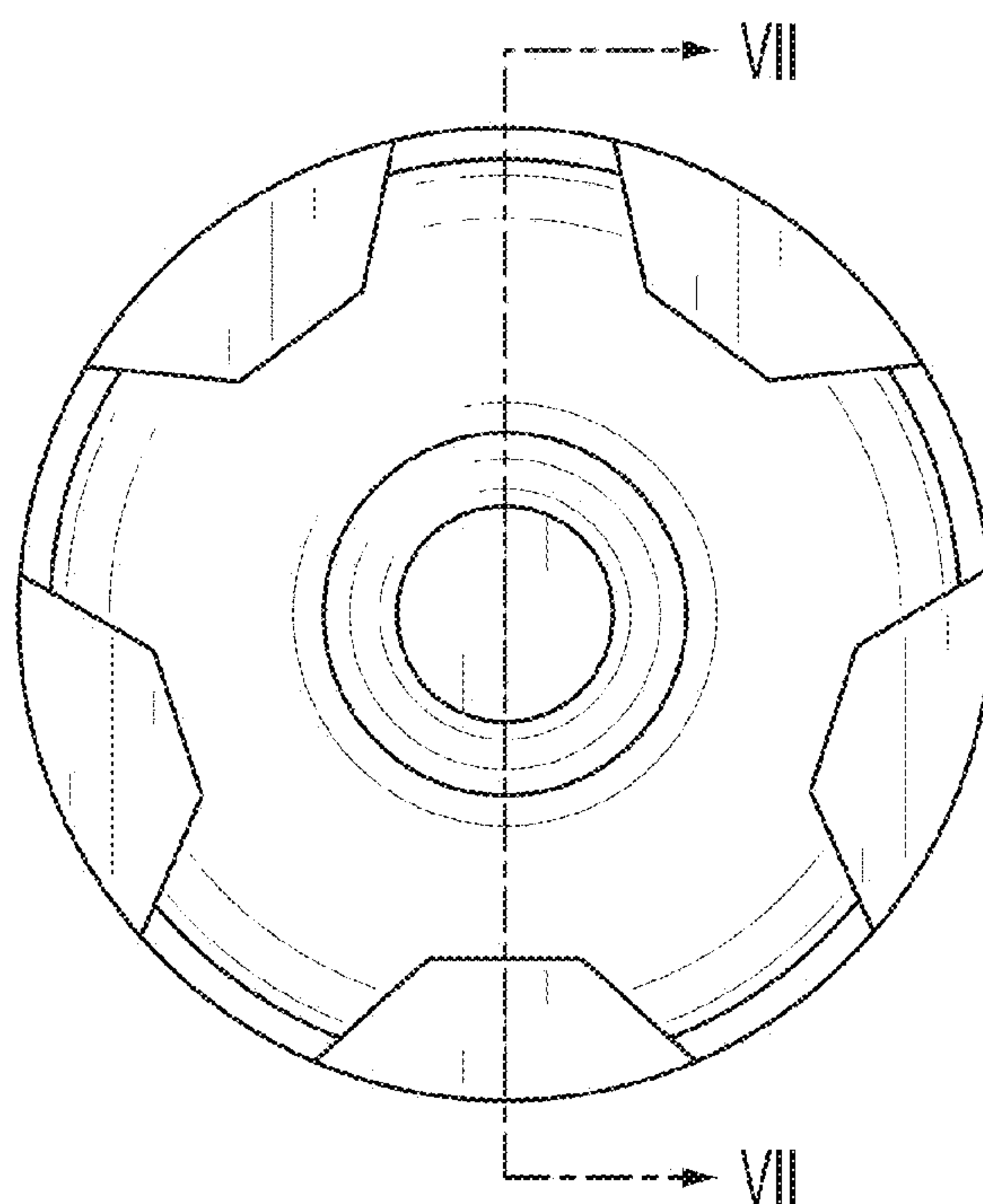


FIG. 2

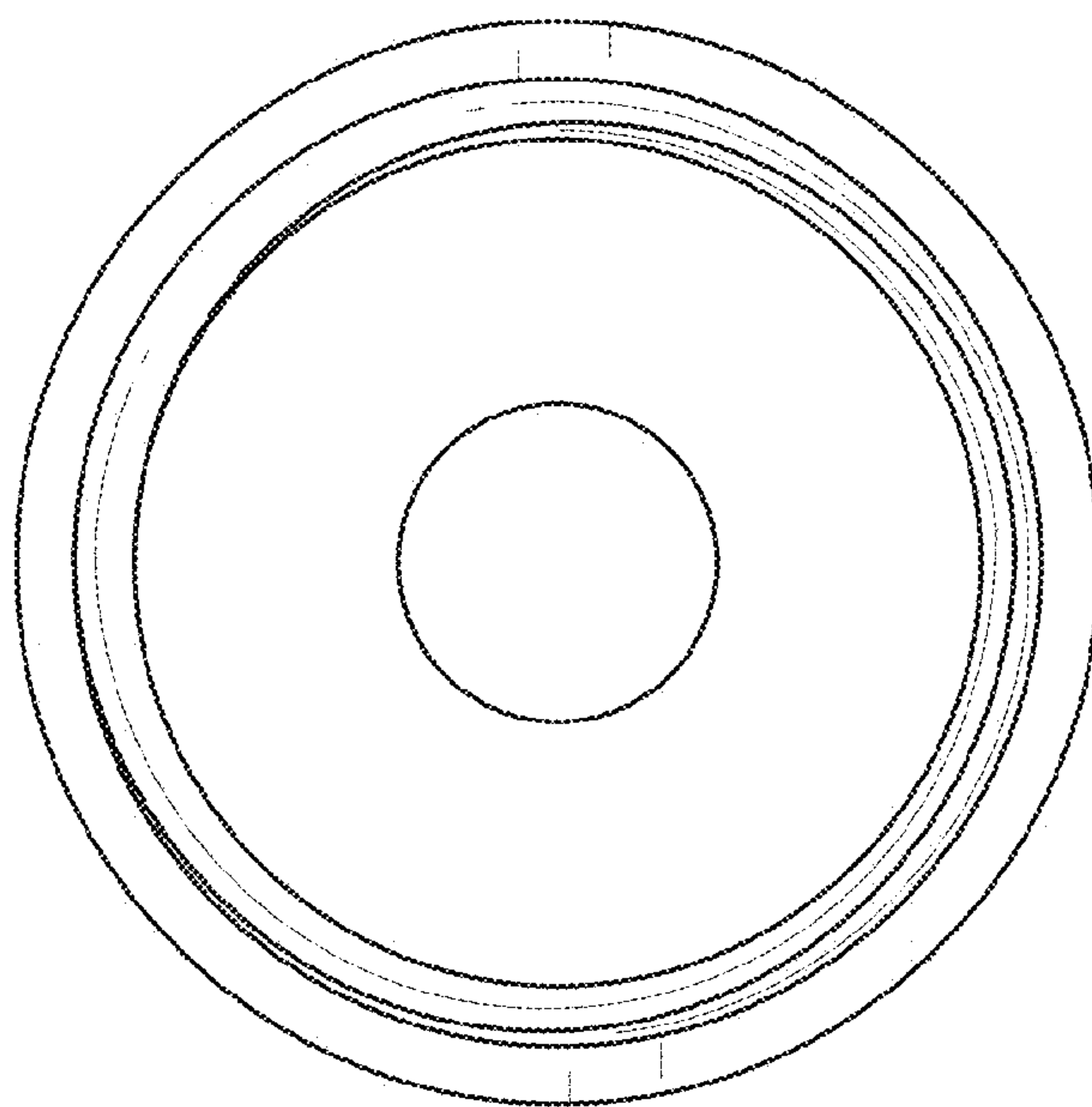


FIG. 3

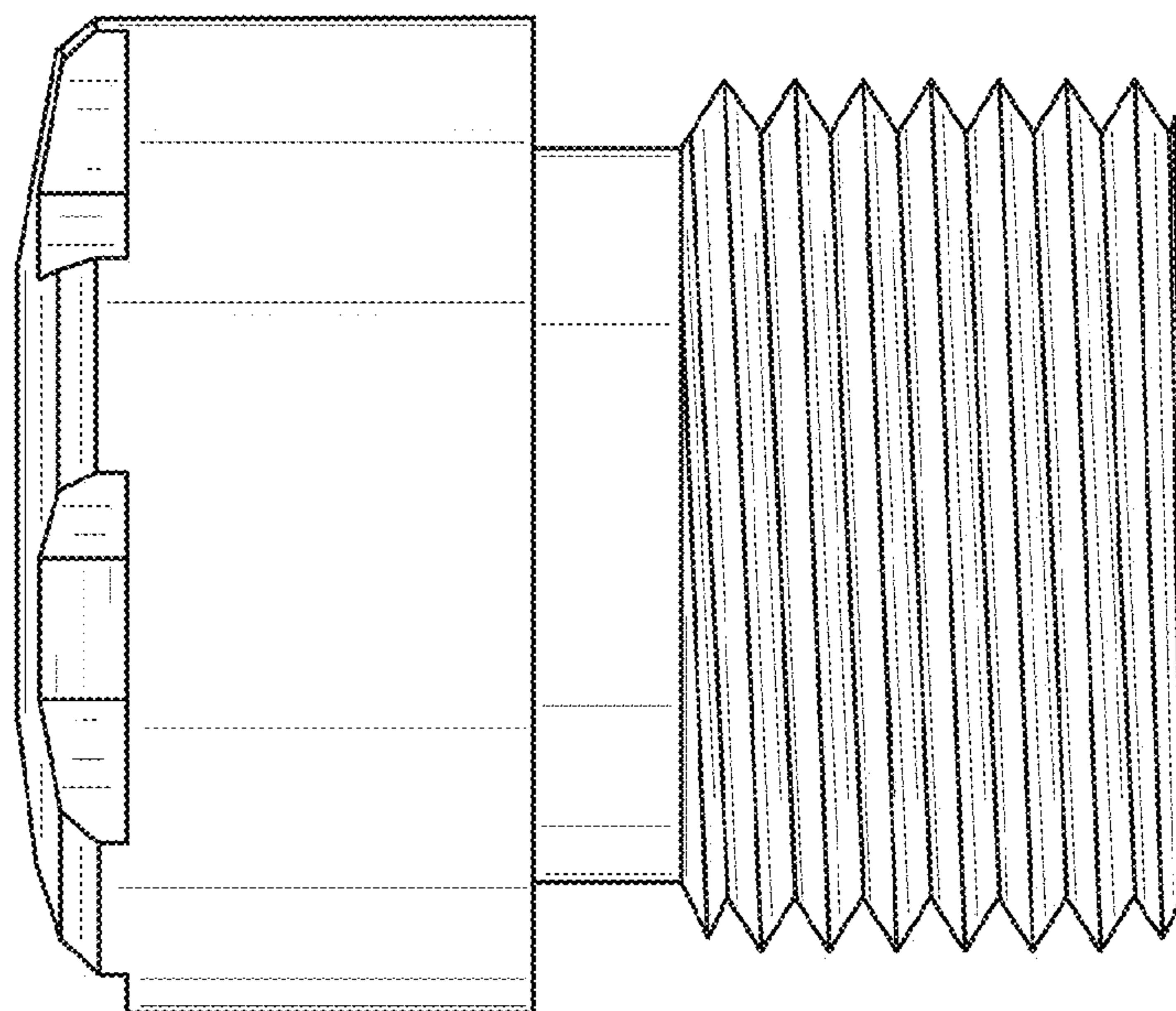


FIG. 4

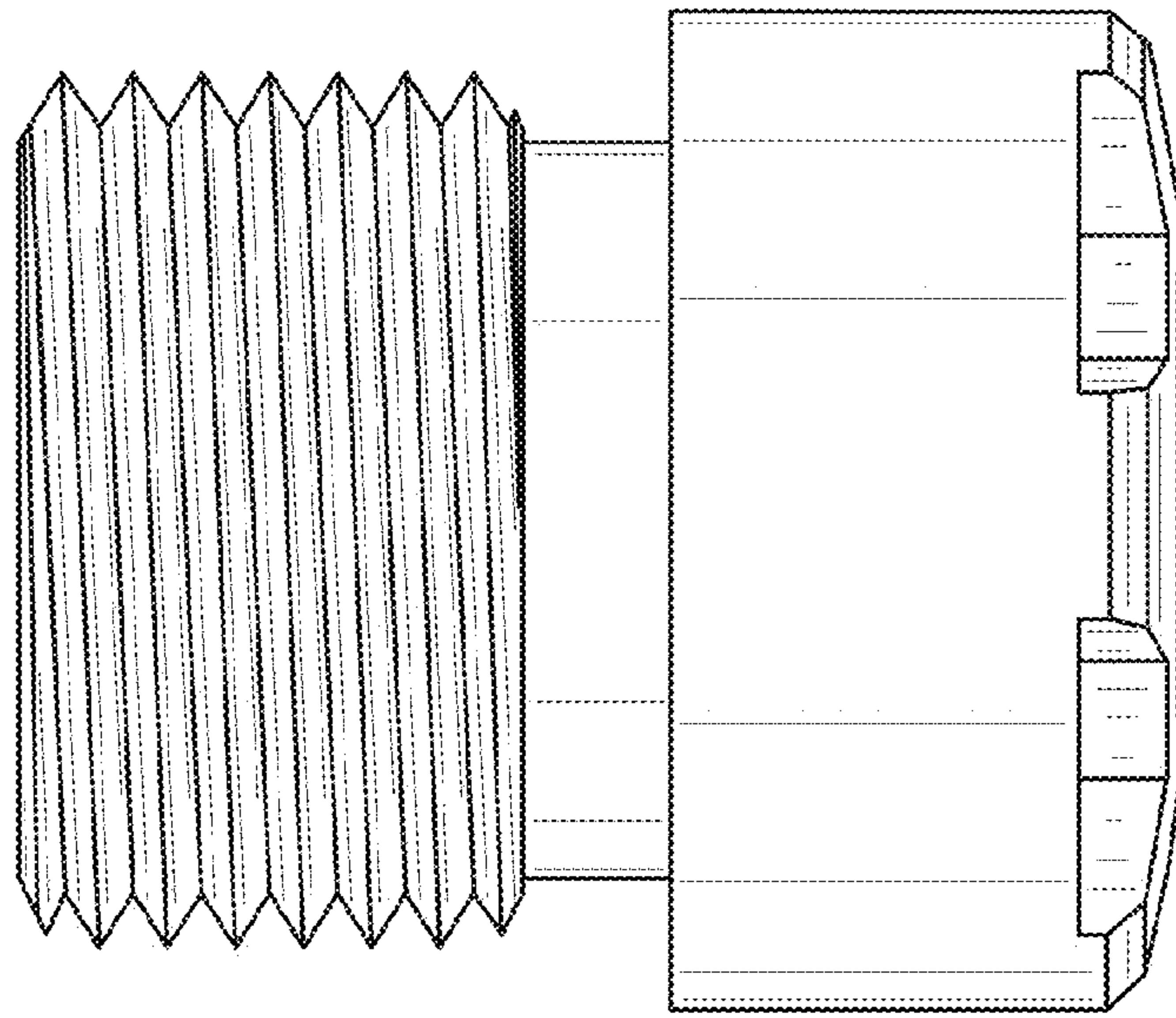


FIG. 5

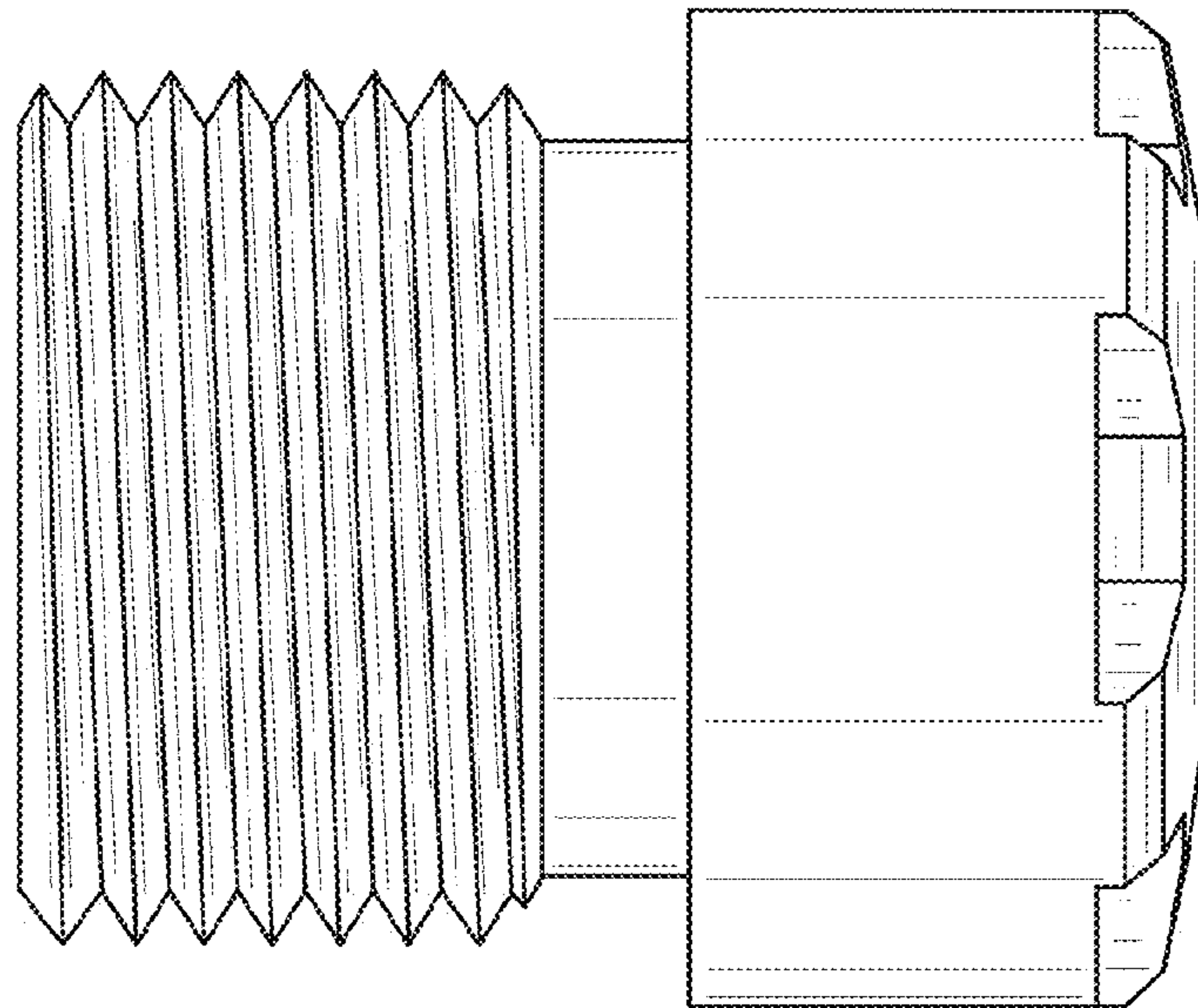


FIG. 6

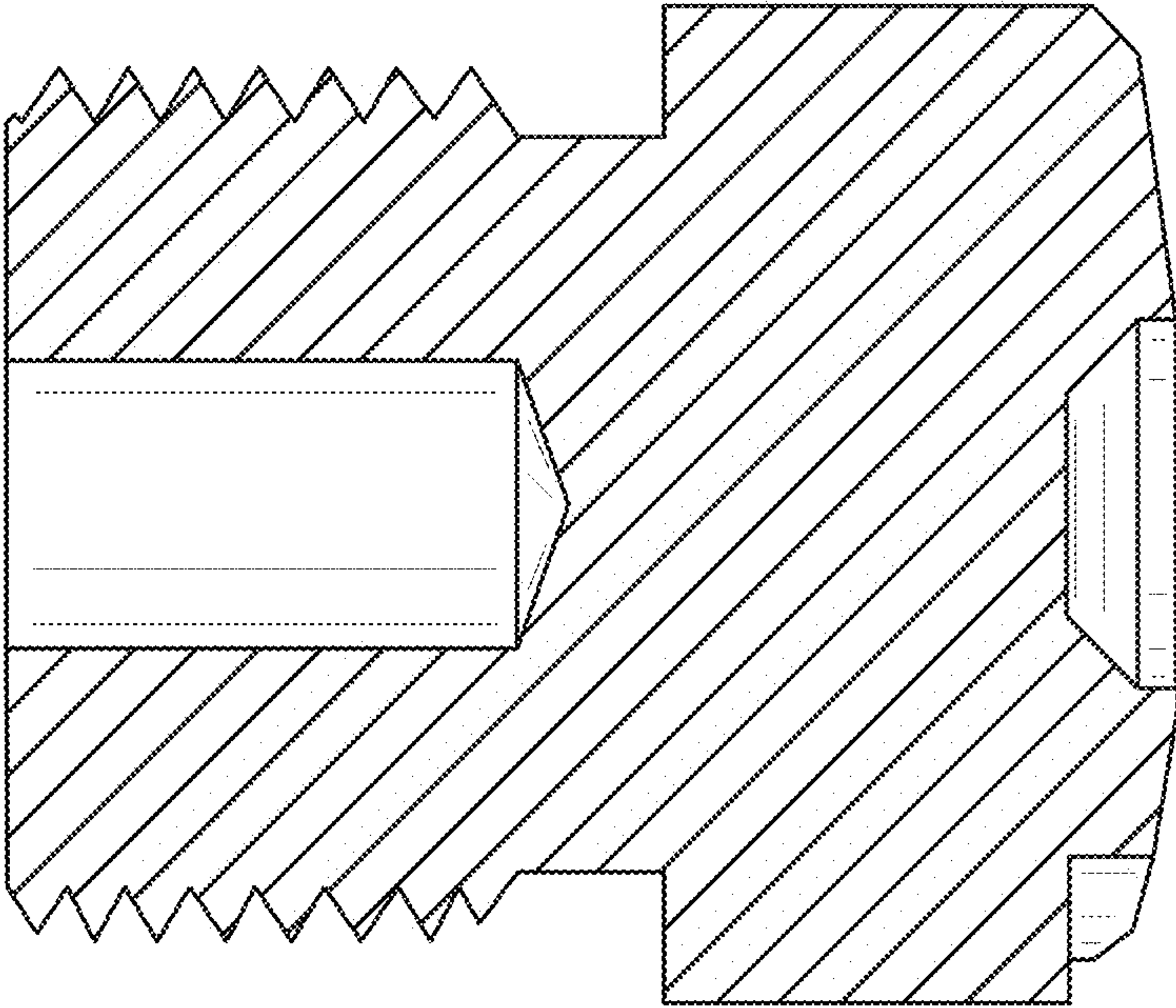


FIG. 7