



US00D735566S

(12) **United States Design Patent**
Wu

(10) **Patent No.:** **US D735,566 S**

(45) **Date of Patent:** **** Aug. 4, 2015**

(54) **HANGING ROD HOLDER**

(71) Applicant: **Chia-Lun Wu**, Tainan (TW)

(72) Inventor: **Chia-Lun Wu**, Tainan (TW)

(**) Term: **14 Years**

(21) Appl. No.: **29/472,906**

(22) Filed: **Nov. 18, 2013**

(51) **LOC (10) Cl.** **08-05**

(52) **U.S. Cl.**
USPC **D8/380**

(58) **Field of Classification Search**
USPC D8/383, 374, 300, 303, 313, 314, 394,
D8/396, 380, 373, 395, 363, 381, 44, 19,
D8/352, 370, 308, 372, 376, 384;
D13/133; D19/1; D22/108; D26/87;
D9/686, 687; D23/238; D6/300
CPC . A47K 2003/307; A47H 13/04; A47H 1/102;
A47H 2201/02; A47H 13/00; A47H 1/122;
A47H 1/142; A47H 2001/0205
See application file for complete search history.

(56) **References Cited**

U.S. PATENT DOCUMENTS

D294,457 S * 3/1988 Doty et al. D8/373
D335,231 S * 5/1993 Bengtson D6/524

D341,191 S * 11/1993 Klose D23/263
D399,727 S * 10/1998 Richter D8/380
D404,285 S * 1/1999 Skudelny D8/354
D413,787 S * 9/1999 Kuo D8/363
D439,140 S * 3/2001 Jokinen et al. D8/363
D520,347 S * 5/2006 Silzer et al. D8/363
D543,093 S * 5/2007 Chan D8/363
D594,531 S * 6/2009 Daunter et al. D23/238

* cited by examiner

Primary Examiner — Robert M Spear

Assistant Examiner — Eliza Bennett-Hattan

(74) *Attorney, Agent, or Firm* — Adam D. Kamrath;
Kamrath IP Lawfirm, P.A.

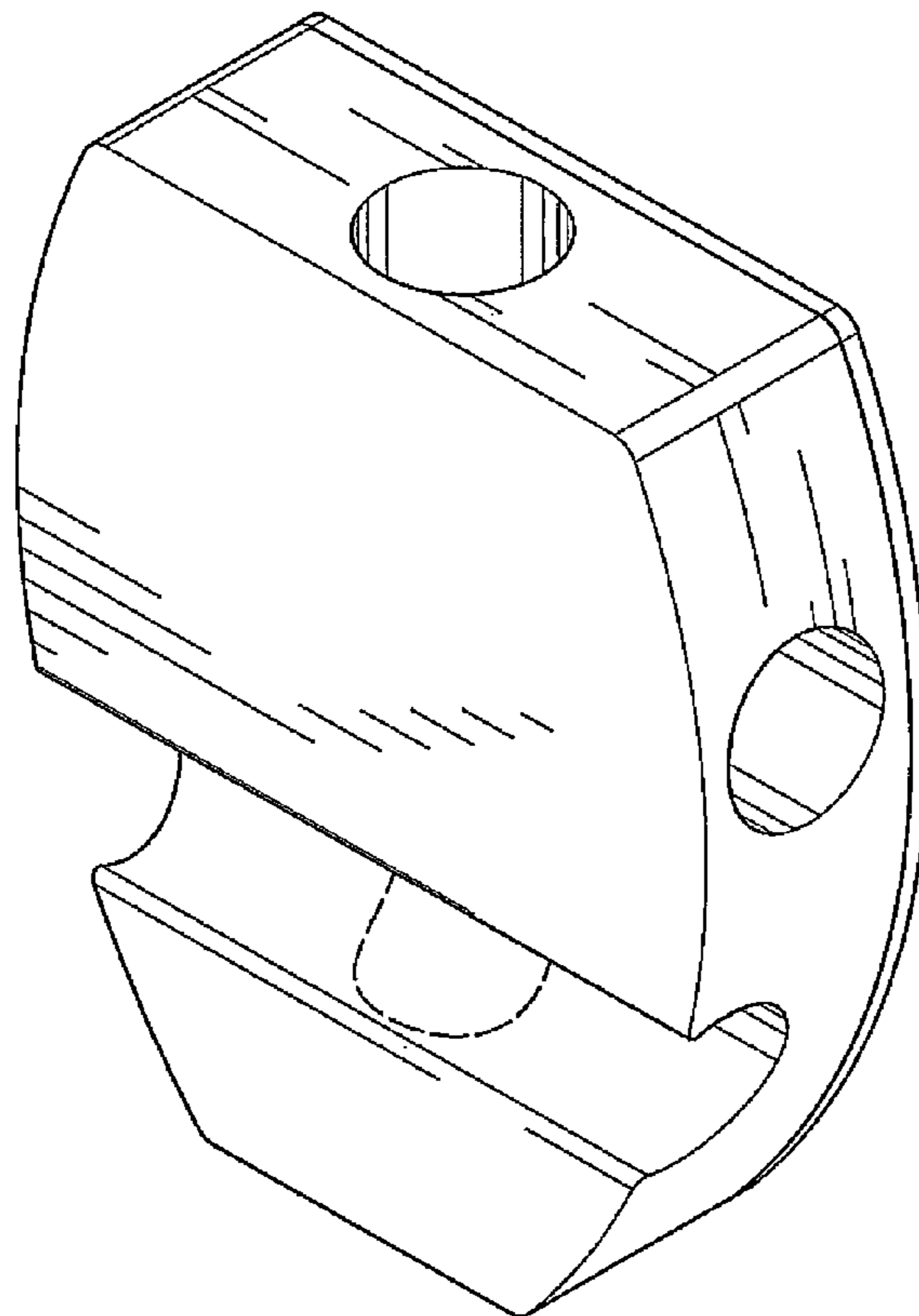
(57) **CLAIM**

The ornamental design for a hanging rod holder, as shown and described.

DESCRIPTION

FIG. 1 is a perspective view of a hanging rod holder showing my design;
FIG. 2 is a front elevational view thereof;
FIG. 3 is a rear elevational view thereof;
FIG. 4 is a left elevational view thereof;
FIG. 5 is a right elevational view thereof;
FIG. 6 is a top plan view thereof; and,
FIG. 7 is a bottom plan view thereof.

1 Claim, 4 Drawing Sheets



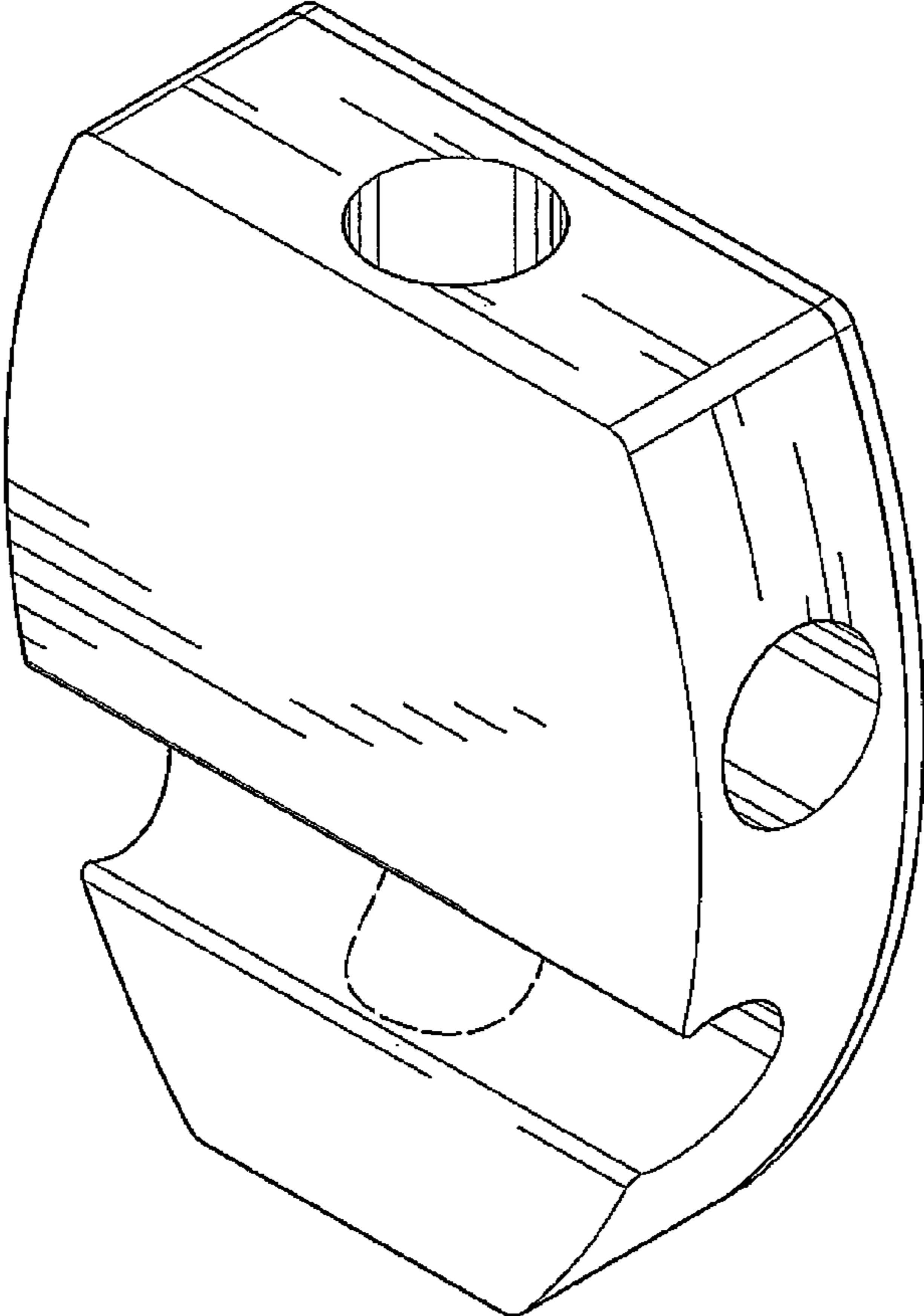


Fig. 1

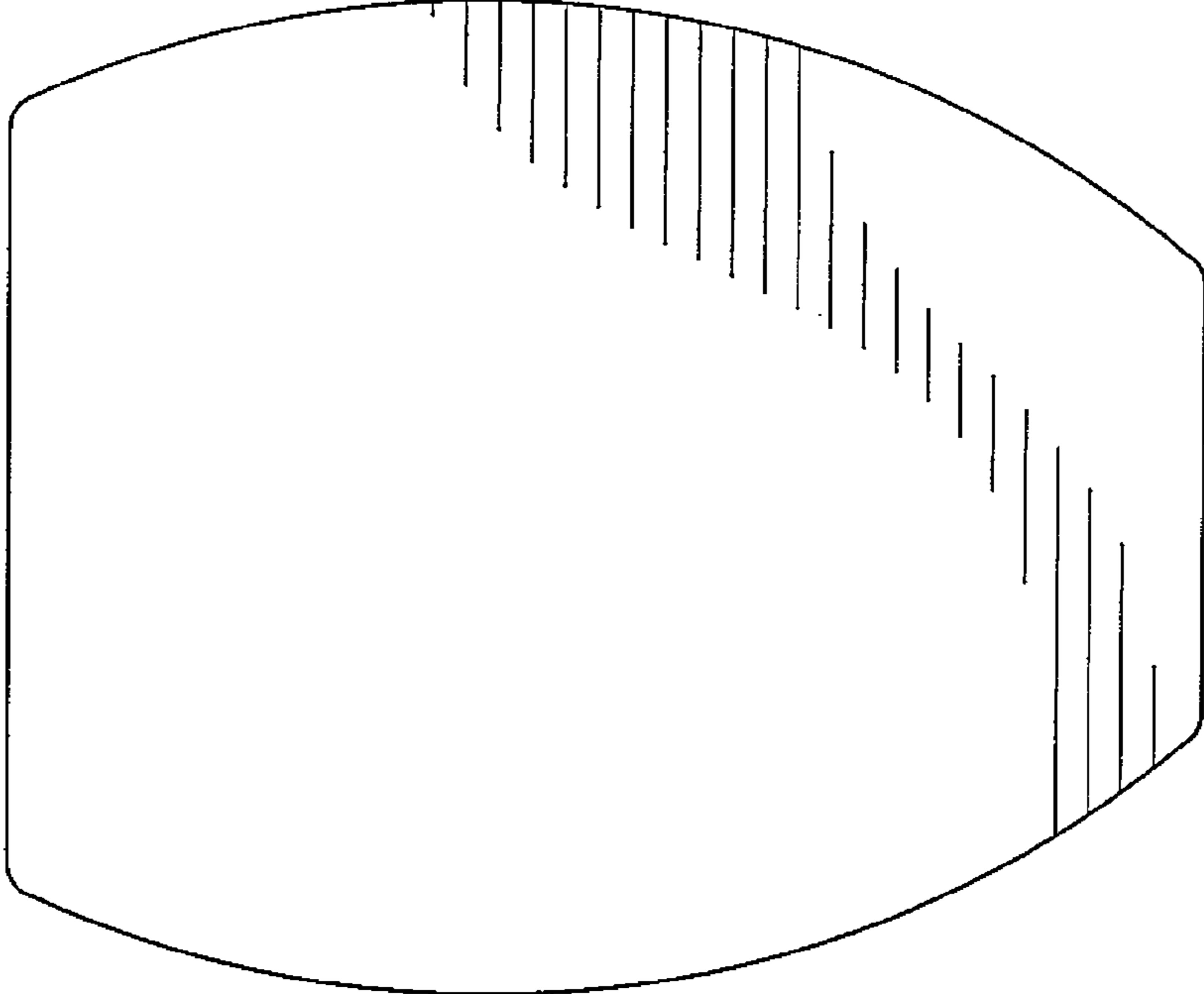


Fig. 3

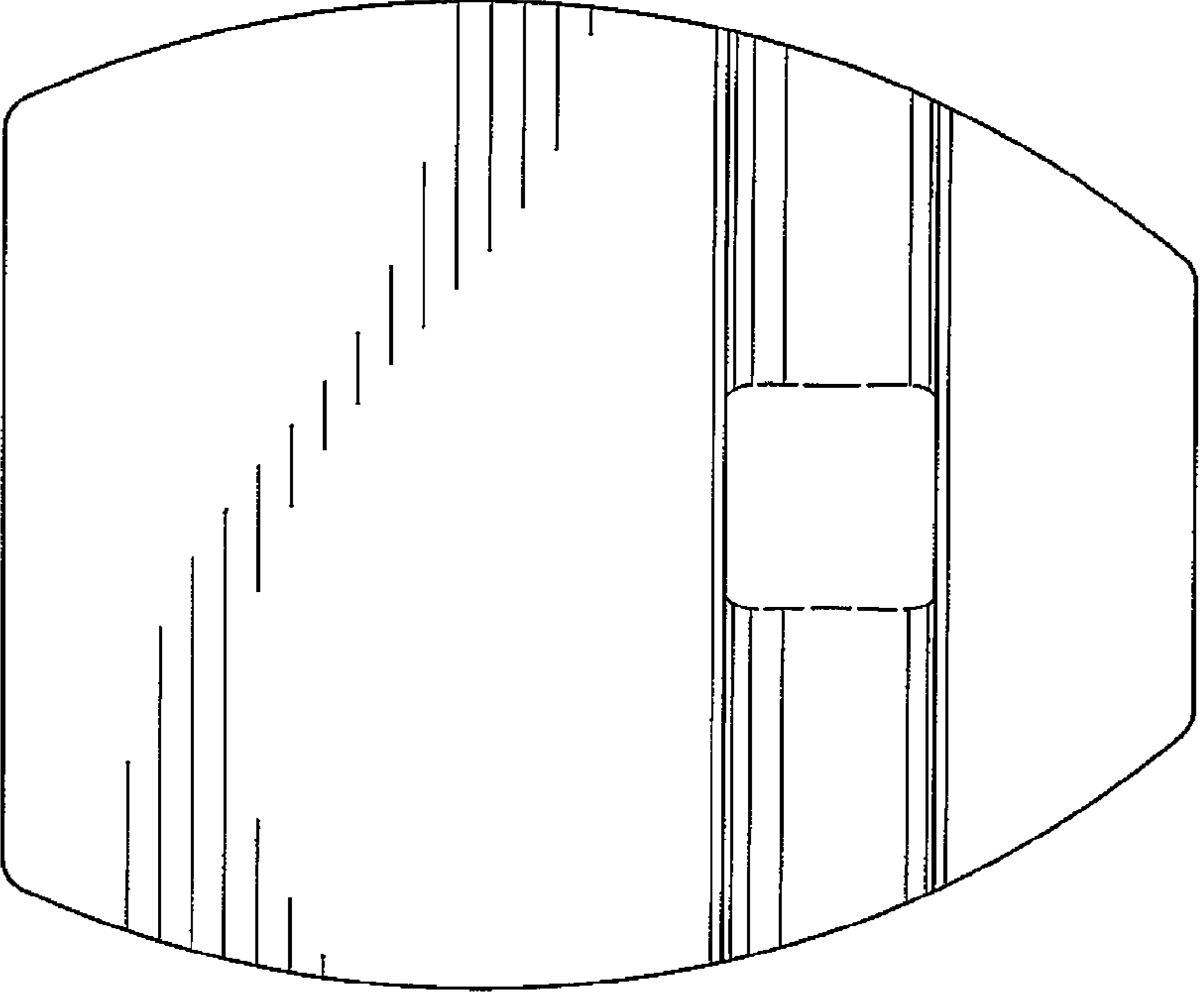


Fig. 2

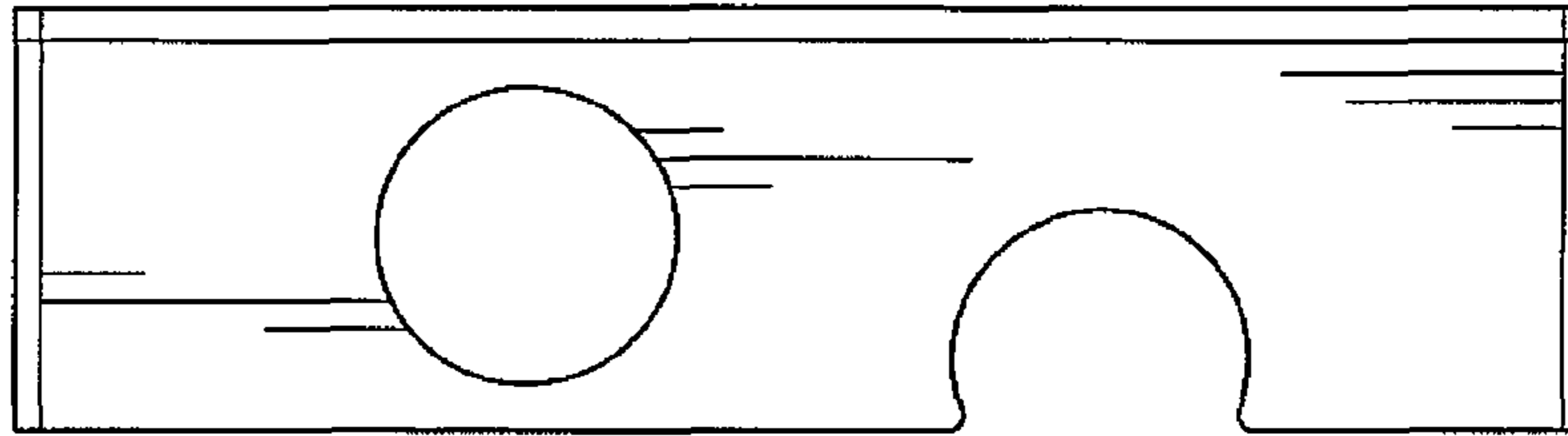


Fig. 5

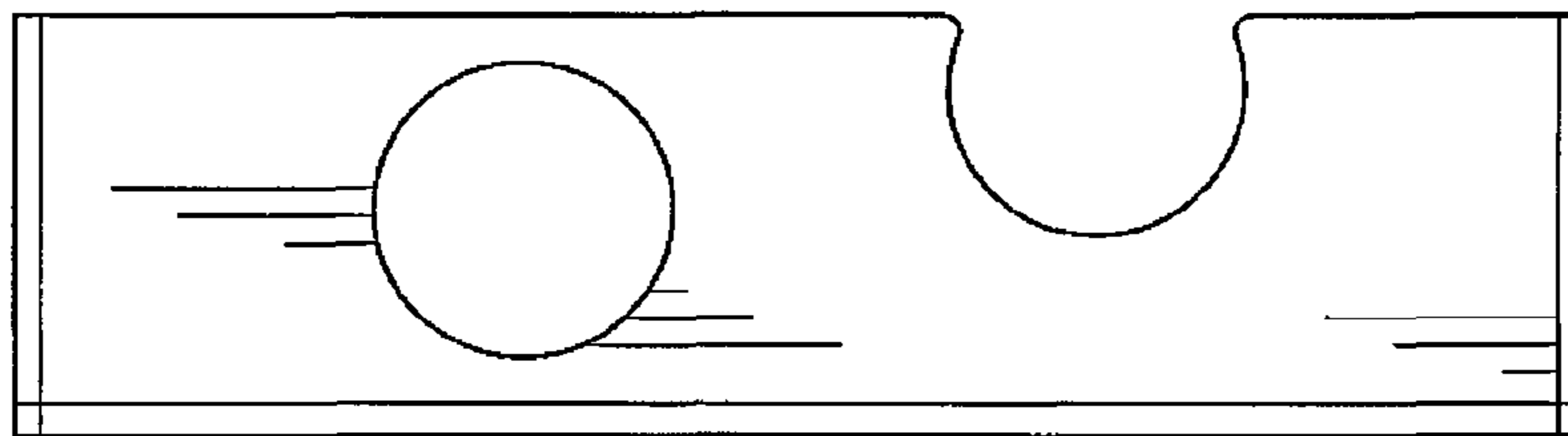


Fig. 4

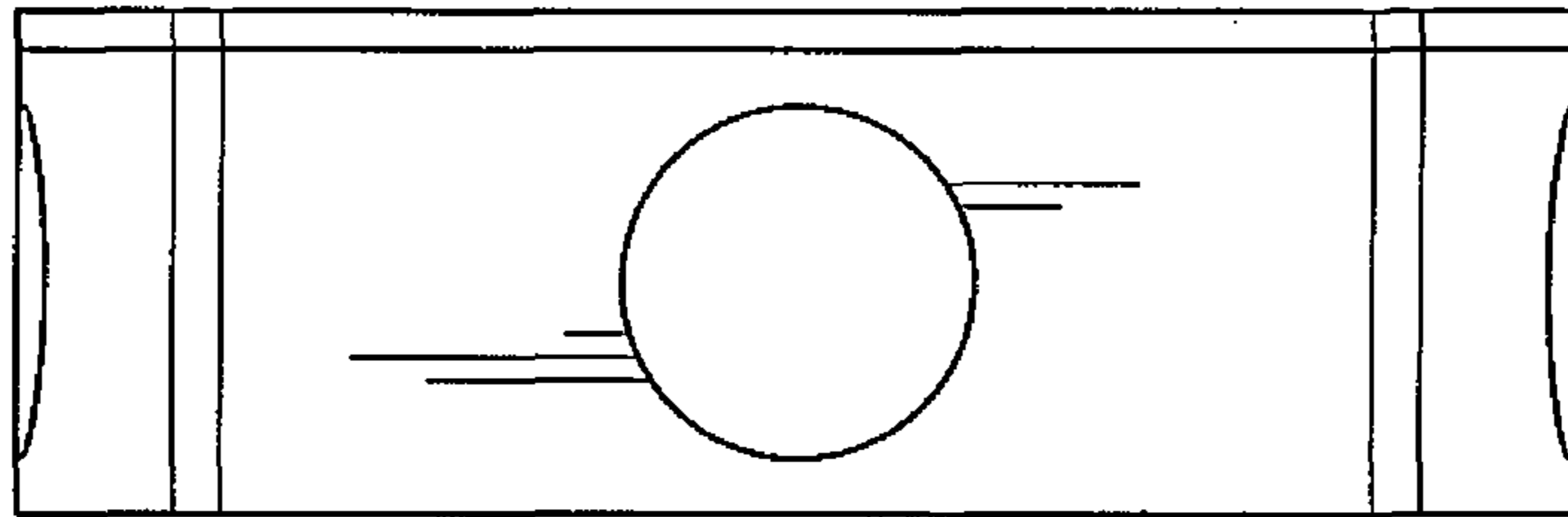


Fig. 6

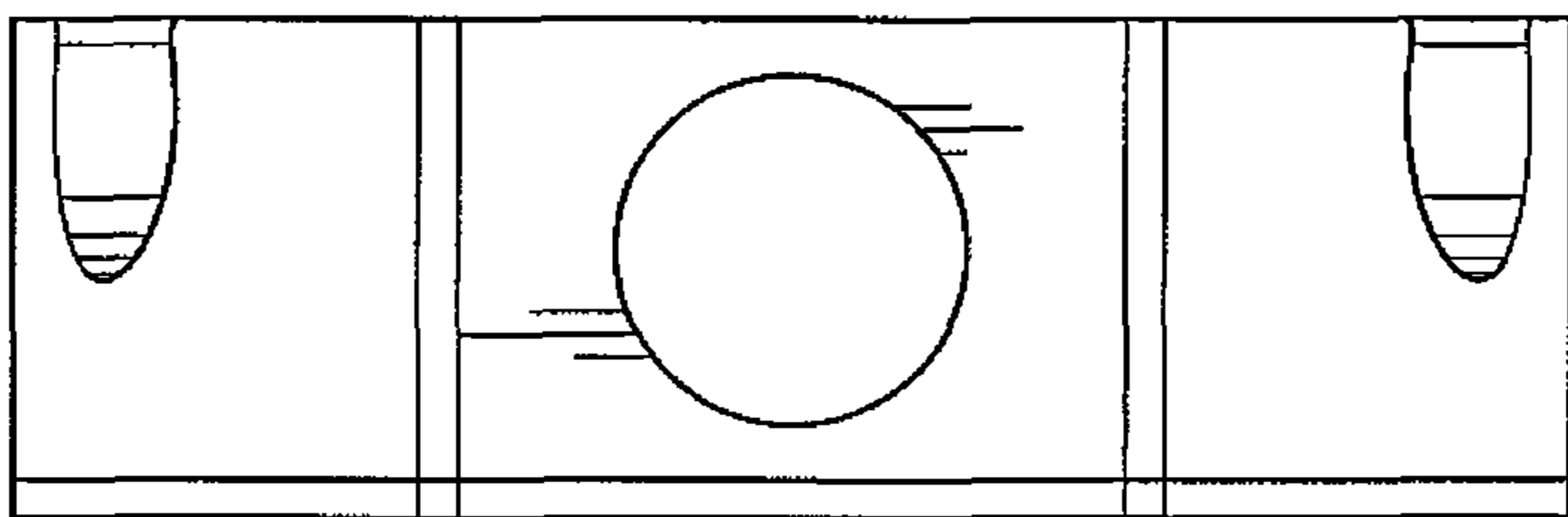


Fig. 7