

US00D735565S

(12) **United States Design Patent**
Serra et al.

(10) **Patent No.:** **US D735,565 S**

(45) **Date of Patent:** **** Aug. 4, 2015**

(54) **GLASS BRACKET**

(71) Applicants: **Rolando Serra**, Hallandale Beach, FL
(US); **Paola Cancian**, Hallandale Beach,
FL (US)

(72) Inventors: **Rolando Serra**, Hallandale Beach, FL
(US); **Paola Cancian**, Hallandale Beach,
FL (US)

(**) Term: **14 Years**

(21) Appl. No.: **29/469,748**

(22) Filed: **Oct. 14, 2013**

(51) **LOC (10) Cl.** **08-05**

(52) **U.S. Cl.**
USPC **D8/373**

(58) **Field of Classification Search**
USPC D8/349, 354–356, 363–367, 370–373,
D8/380, 382, 384, 381; D25/199; 248/215,
248/465.1, 112, 153, 175, 218.1, 218.2,
248/302, 303
CPC A47B 96/06; A47B 96/062; A47B 96/063;
A47B 96/066; A47B 96/067; A47B 96/068
See application file for complete search history.

(56) **References Cited**

U.S. PATENT DOCUMENTS

2,204,117 A * 6/1940 Brammer 474/241
D204,620 S * 5/1966 MacRobbie D8/356

D207,872 S * 6/1967 Laurini D25/199
D294,903 S * 3/1988 Pokorny D6/526
D303,755 S * 10/1989 McCarthy D8/349
D375,831 S * 11/1996 Perry D2/978
D386,067 S * 11/1997 Hamerski et al. D8/373
D440,395 S * 4/2001 Zebe, Jr. D2/978
D553,481 S * 10/2007 Kubota D8/367
D708,935 S * 7/2014 Kumakawa et al. D8/382
D722,487 S * 2/2015 Miller D8/356

* cited by examiner

Primary Examiner — Elizabeth Albert

(74) *Attorney, Agent, or Firm* — QuickPatents; Kevin Prince

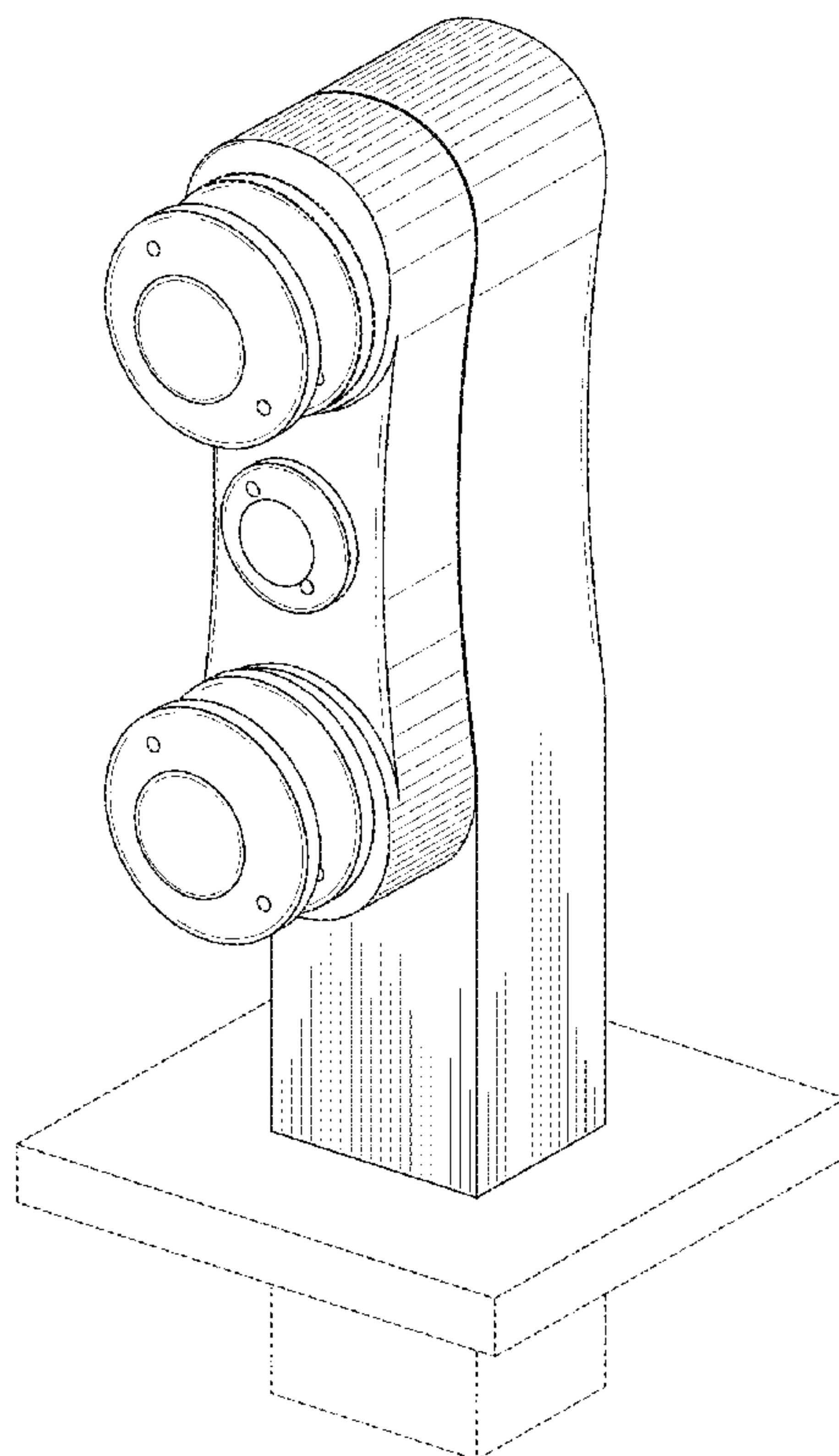
(57) **CLAIM**

We claim the ornamental design for a glass bracket, as shown and described.

DESCRIPTION

FIG. 1 is a perspective view of a glass bracket, showing a first embodiment of our new design;
FIG. 2 is a front elevational view of FIG. 1;
FIG. 3 is a rear elevational view of FIG. 1;
FIG. 4 is a left-side elevational view of FIG. 1, the right-side elevational view being a mirror image thereof;
FIG. 5 is a top plan view thereof; and,
FIG. 6 is a bottom plan view thereof.
The broken lines in the figures depict environmental matter and form no part of the claimed design.

1 Claim, 3 Drawing Sheets



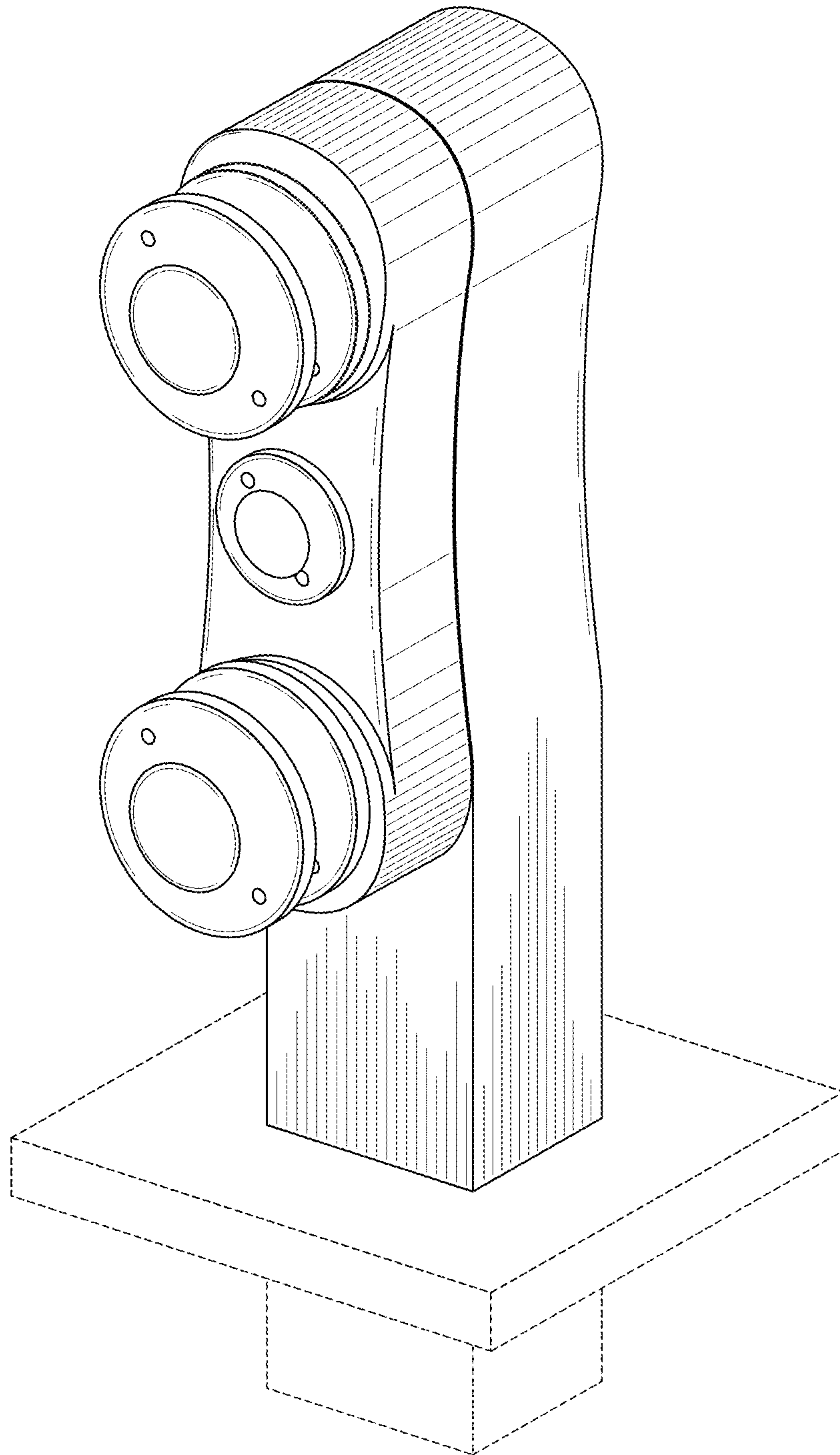


FIG. 1

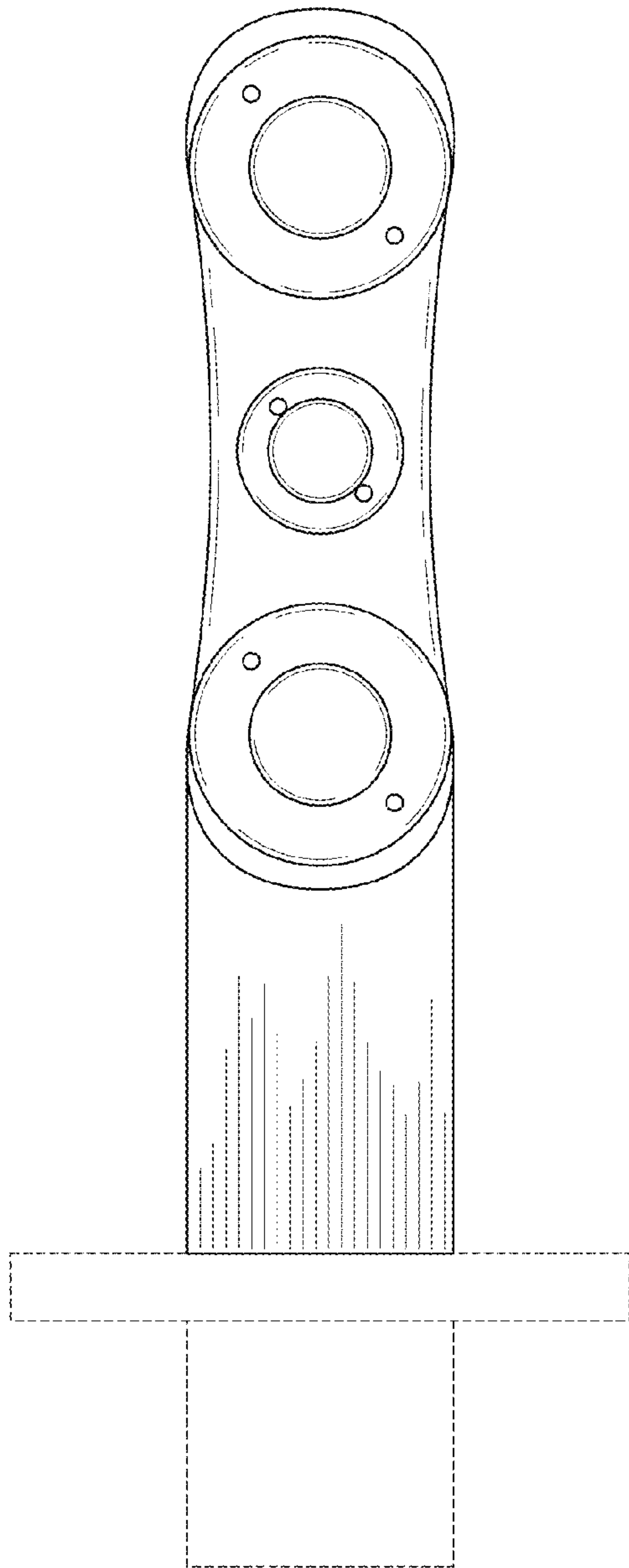


FIG. 2

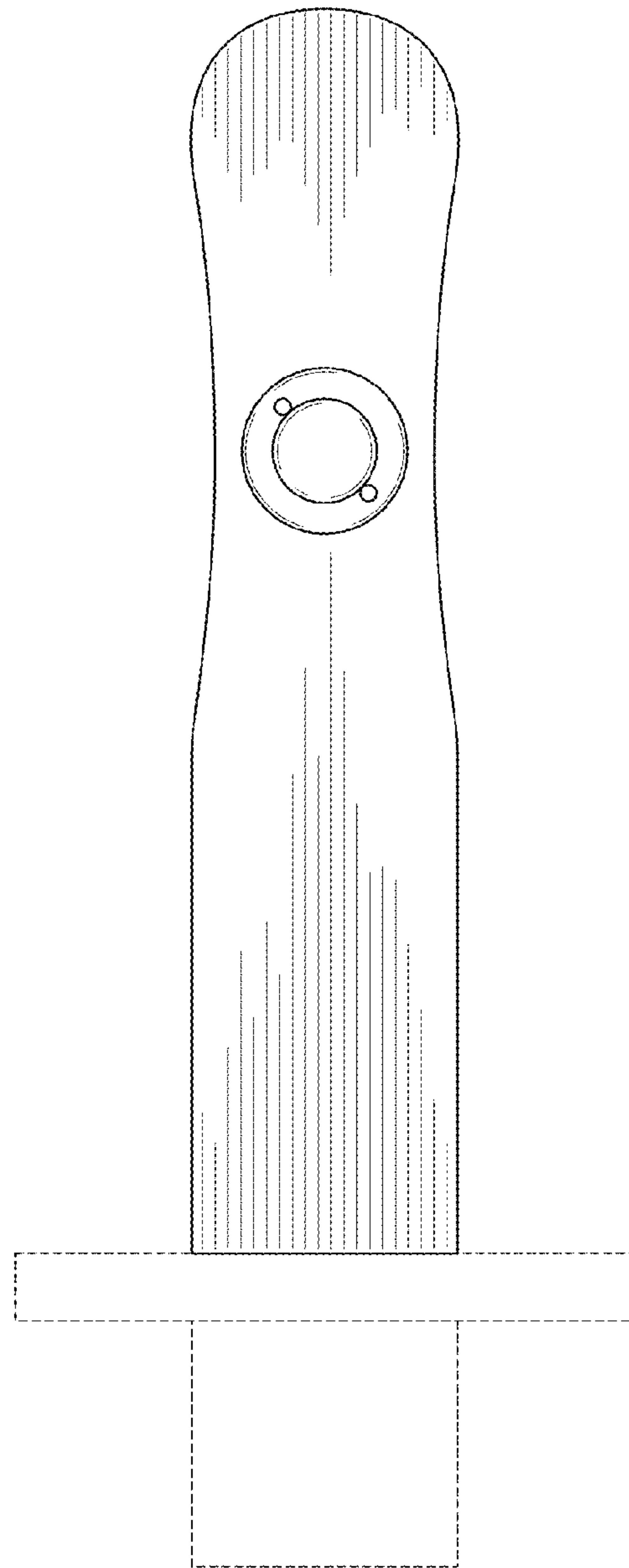


FIG. 3

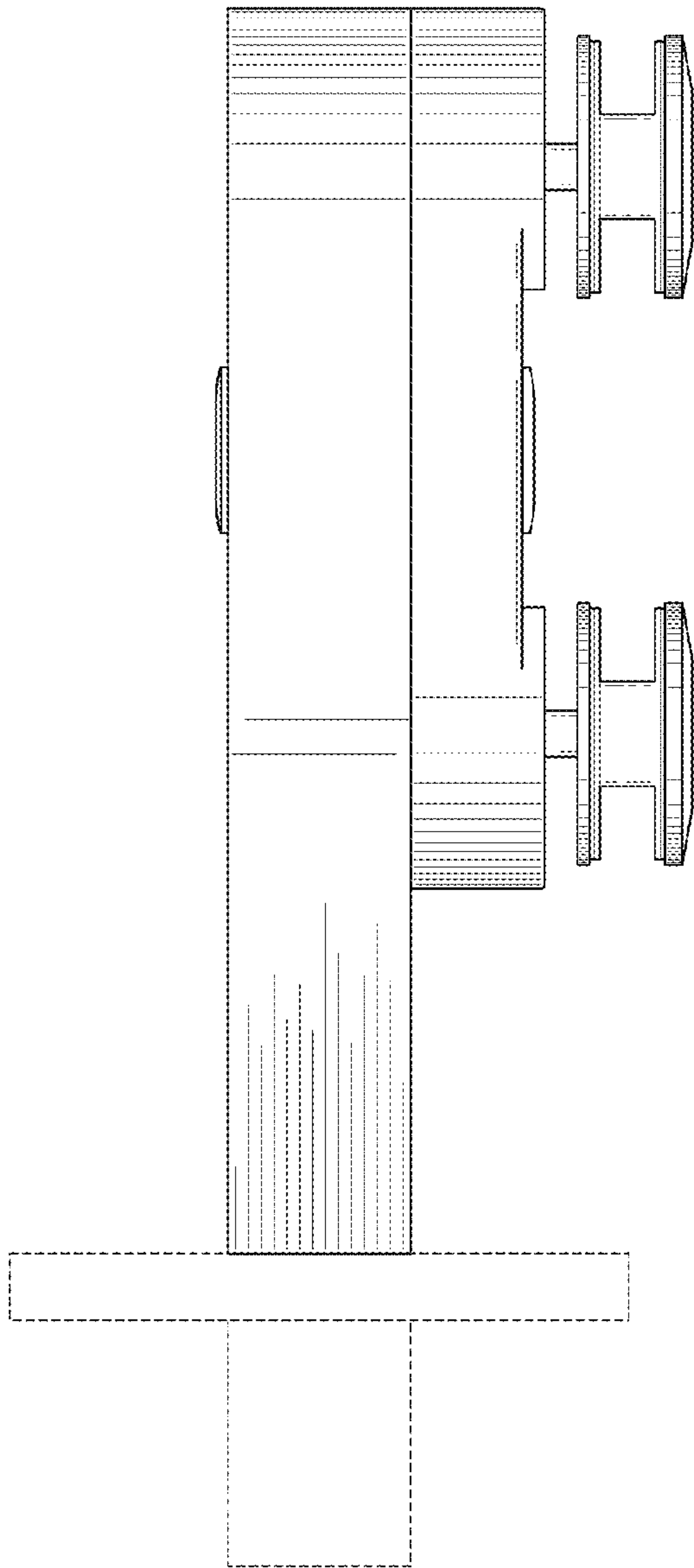


FIG. 4

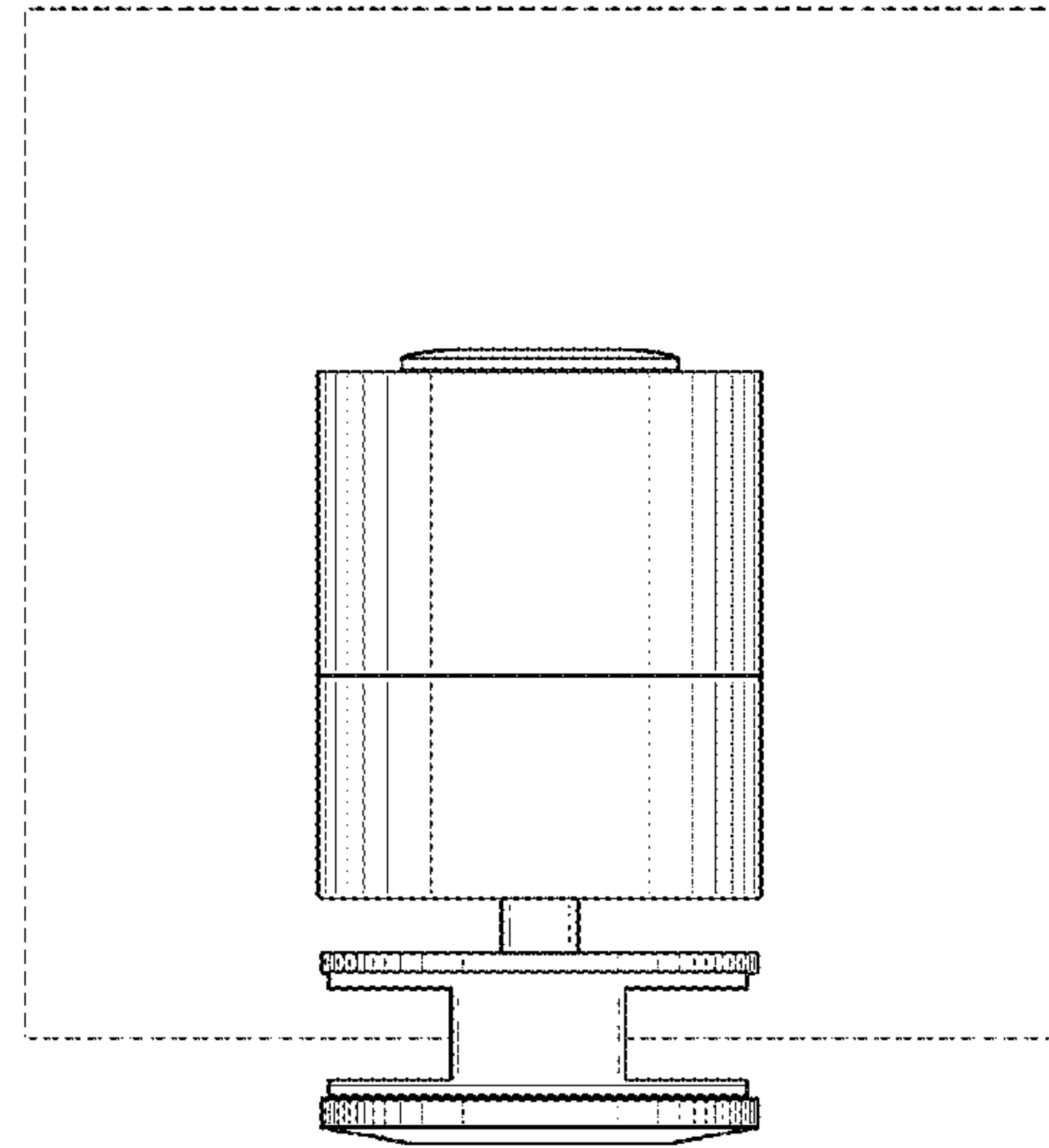


FIG. 5

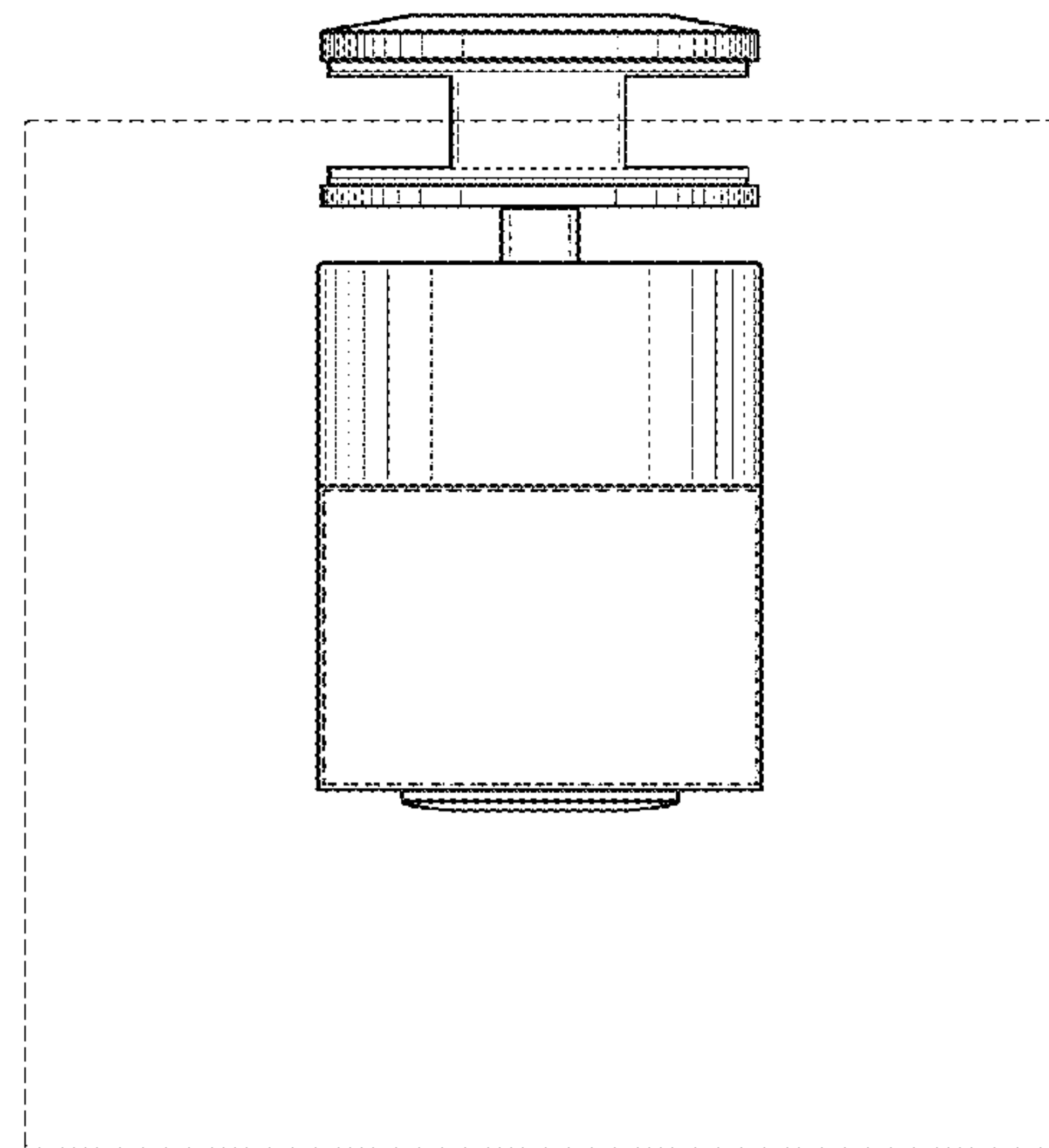


FIG. 6