



US00D735564S

(12) **United States Design Patent**
Goodman et al.

(10) **Patent No.:** **US D735,564 S**

(45) **Date of Patent:** **** Aug. 4, 2015**

(54) **DOUBLE HOOK**

(71) Applicant: **Spectrum Diversified Designs, Inc.**,
Streetsboro, OH (US)

(72) Inventors: **Sheldon H. Goodman**, Solon, OH (US);
Phaysouk Xayoiphonh, Akron, OH
(US)

(73) Assignee: **Spectrum Diversified Designs, Inc.**,
Streetsboro, OH (US)

(**) Term: **14 Years**

(21) Appl. No.: **29/479,958**

(22) Filed: **Jan. 22, 2014**

(51) **LOC (10) Cl.** **08-05**

(52) **U.S. Cl.**
USPC **D8/372**

(58) **Field of Classification Search**
USPC D8/383, 374, 300, 303, 313, 314, 394,
D8/396, 380, 373, 395, 363, 381, 44, 19,
D8/352, 370, 308, 372, 376; D13/133;
D19/1; D22/108; D26/87; D9/686,
D9/687; D23/238; D6/556, 554, 546, 540,
D6/550, 300, 325, 682
CPC A47G 7/044; A47G 7/045; A47G 7/047;
A47G 7/07; A01G 9/12; A01G 9/1066
See application file for complete search history.

(56) **References Cited**

U.S. PATENT DOCUMENTS

D229,744 S * 1/1974 Oletti D8/395
D240,351 S * 6/1976 Generalis D8/371

D323,285 S * 1/1992 Thomson D8/372
D481,303 S * 10/2003 Fell et al. D8/395
D493,094 S * 7/2004 Goodman et al. D8/372
D557,120 S * 12/2007 Snell et al. D8/372
D576,021 S * 9/2008 Goodman et al. D8/372
D608,574 S 1/2010 Goodman et al.
D613,589 S 4/2010 Goodman et al.
D613,590 S 4/2010 Goodman et al.
D618,023 S 6/2010 Goodman et al.
D700,044 S * 2/2014 Goodman et al. D8/372
D711,213 S * 8/2014 Schorn D8/373
D715,627 S * 10/2014 Pan et al. D8/371
D716,641 S * 11/2014 Goodman et al. D8/371

* cited by examiner

Primary Examiner — Robert M Spear

Assistant Examiner — Eliza Bennett-Hattan

(74) *Attorney, Agent, or Firm* — Benesch Friedlander
Coplan & Aronoff LLP

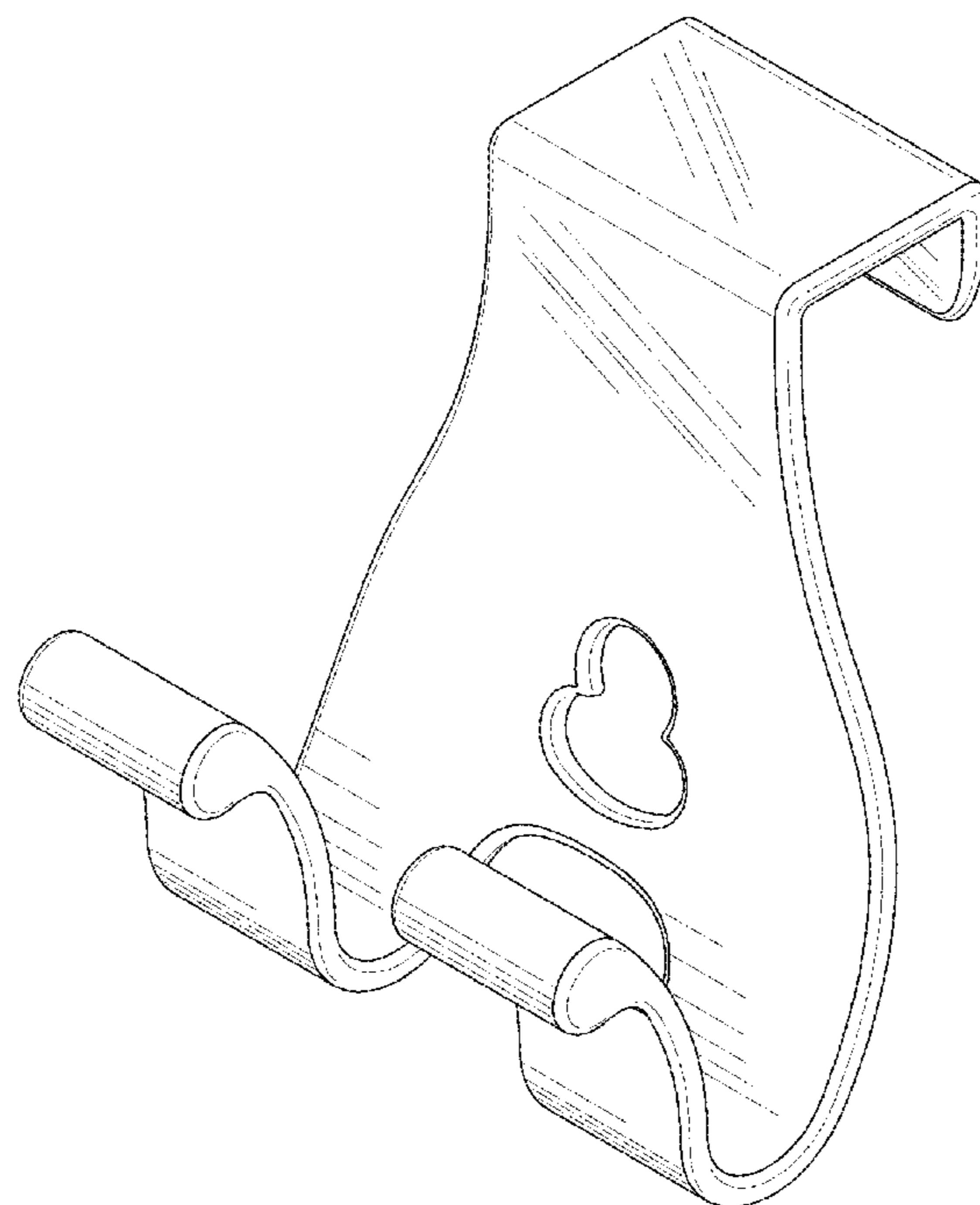
(57) **CLAIM**

What is claimed is the ornamental design for a double hook,
as shown and described.

DESCRIPTION

FIG. 1 is a perspective view of a double hook showing a new
design;
FIG. 2 is a top view of the double hook of FIG. 1;
FIG. 3 is a front view of the double hook of FIG. 1;
FIG. 4 is a side view of the double hook of FIG. 1;
FIG. 5 is a bottom side view of the double hook of FIG. 1; and,
FIG. 6 is a rear view of the double hook of FIG. 1.
The components of the display shown in broken lines illus-
trate unclaimed portions of the double hook and form no part
of the claimed design.

1 Claim, 3 Drawing Sheets



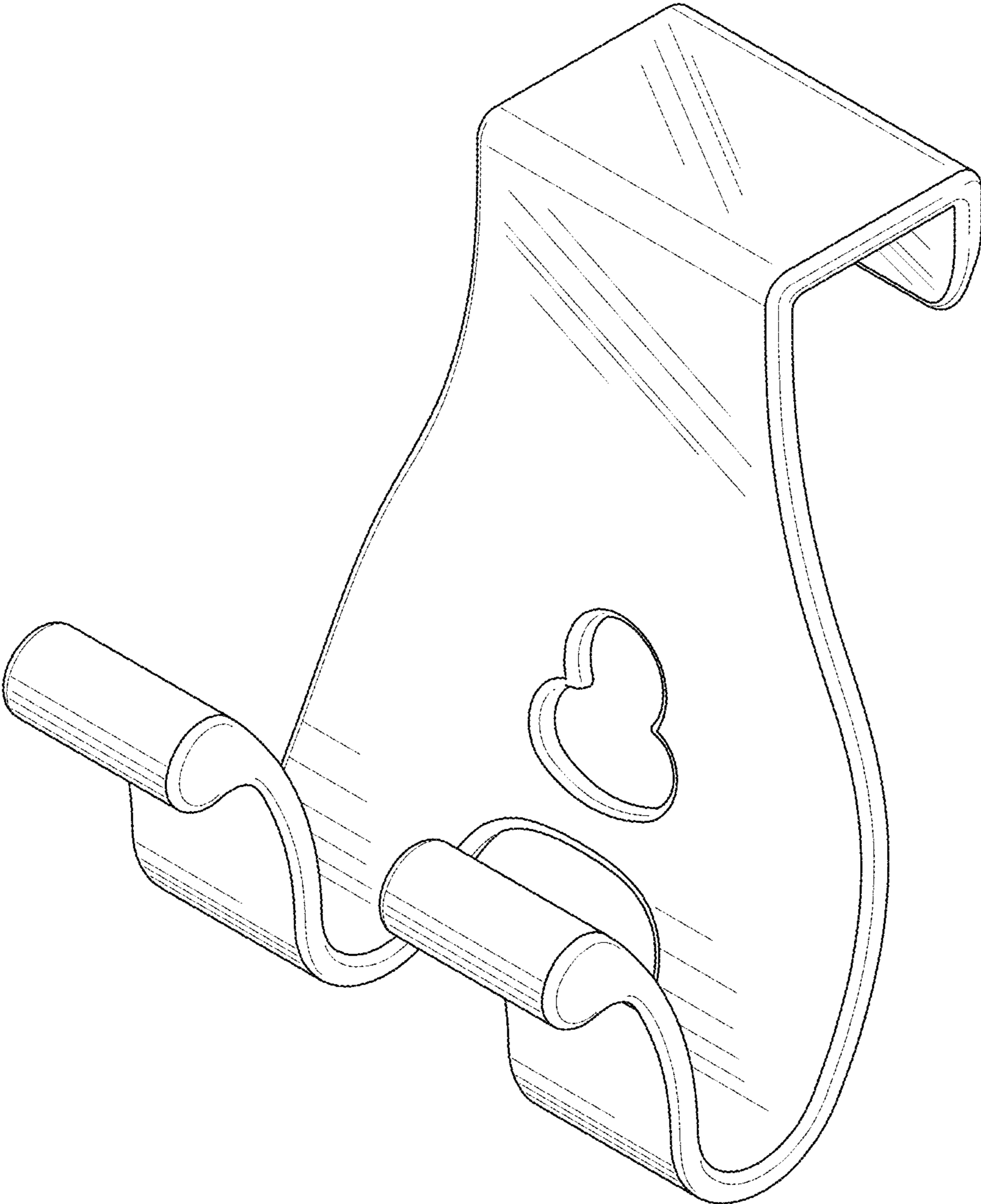


FIG 1

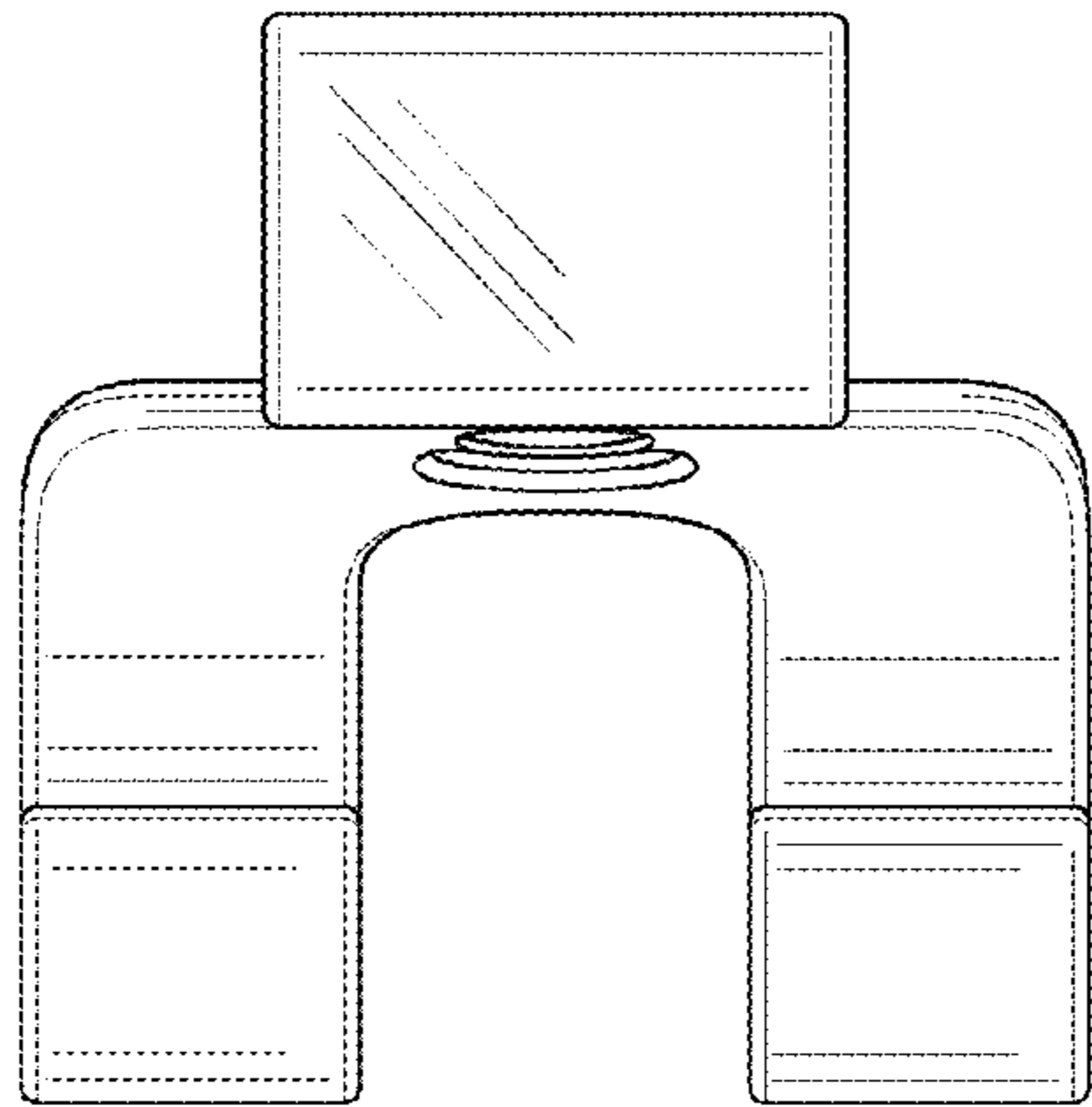


FIG 2

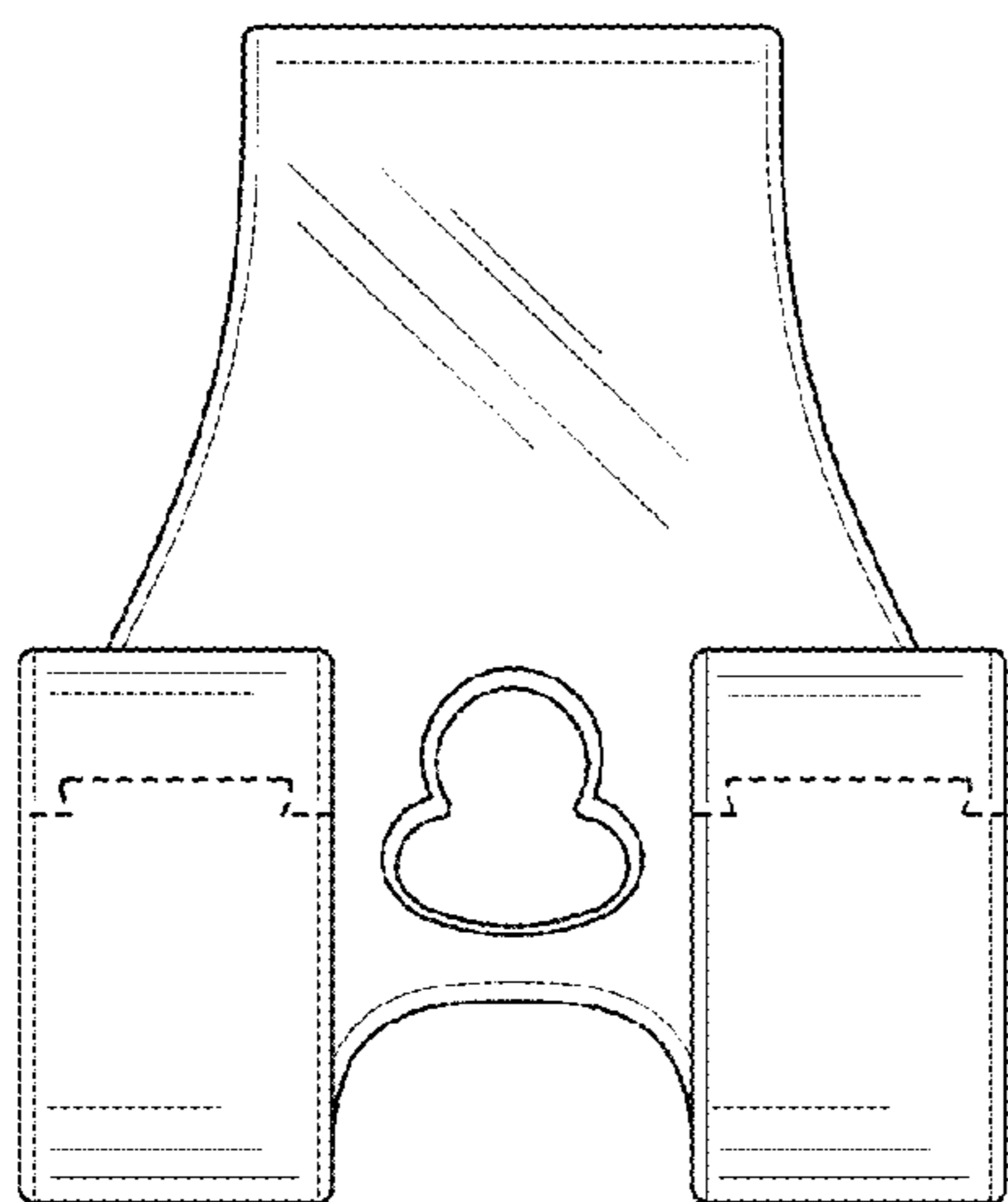


FIG 3

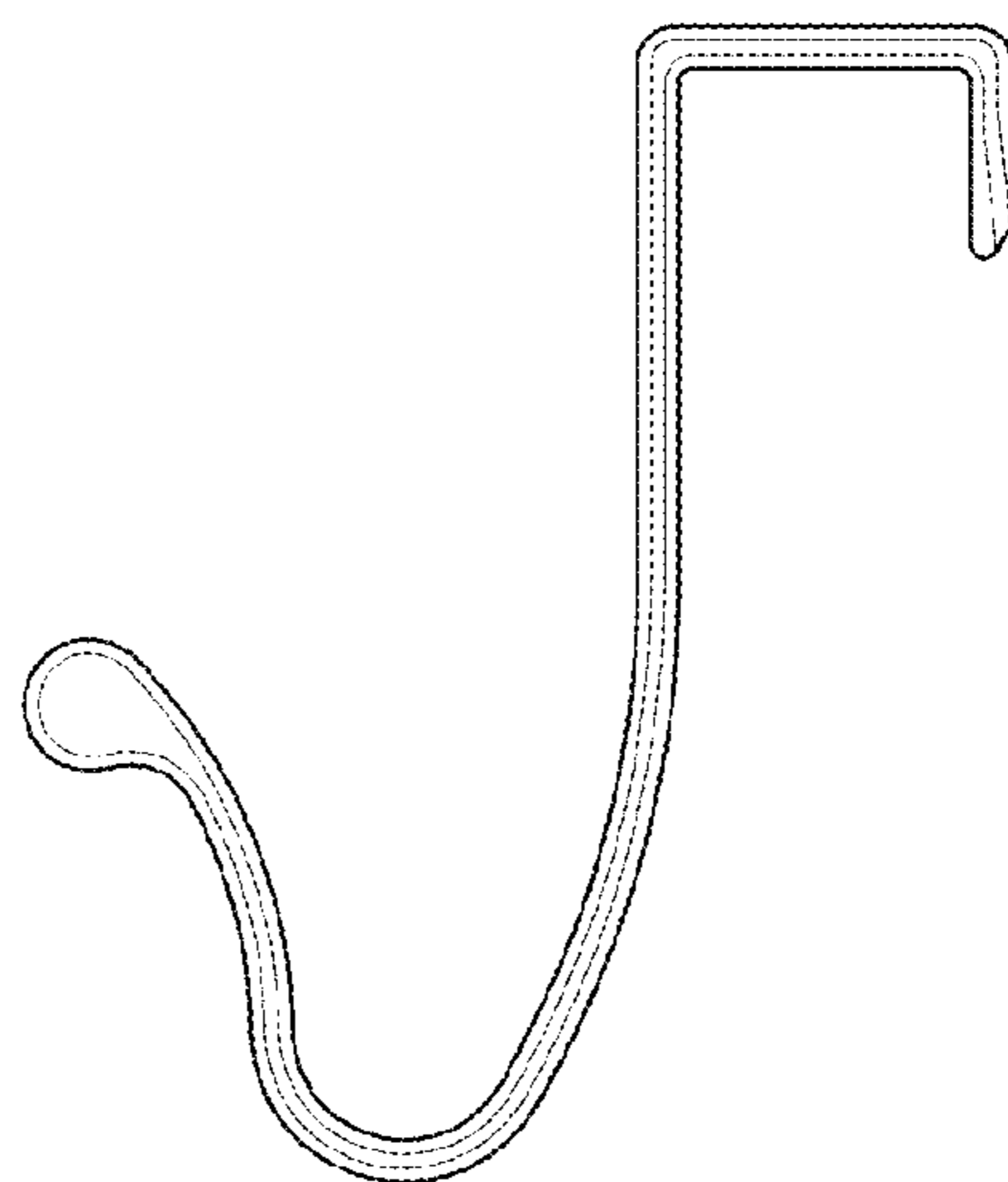


FIG 4

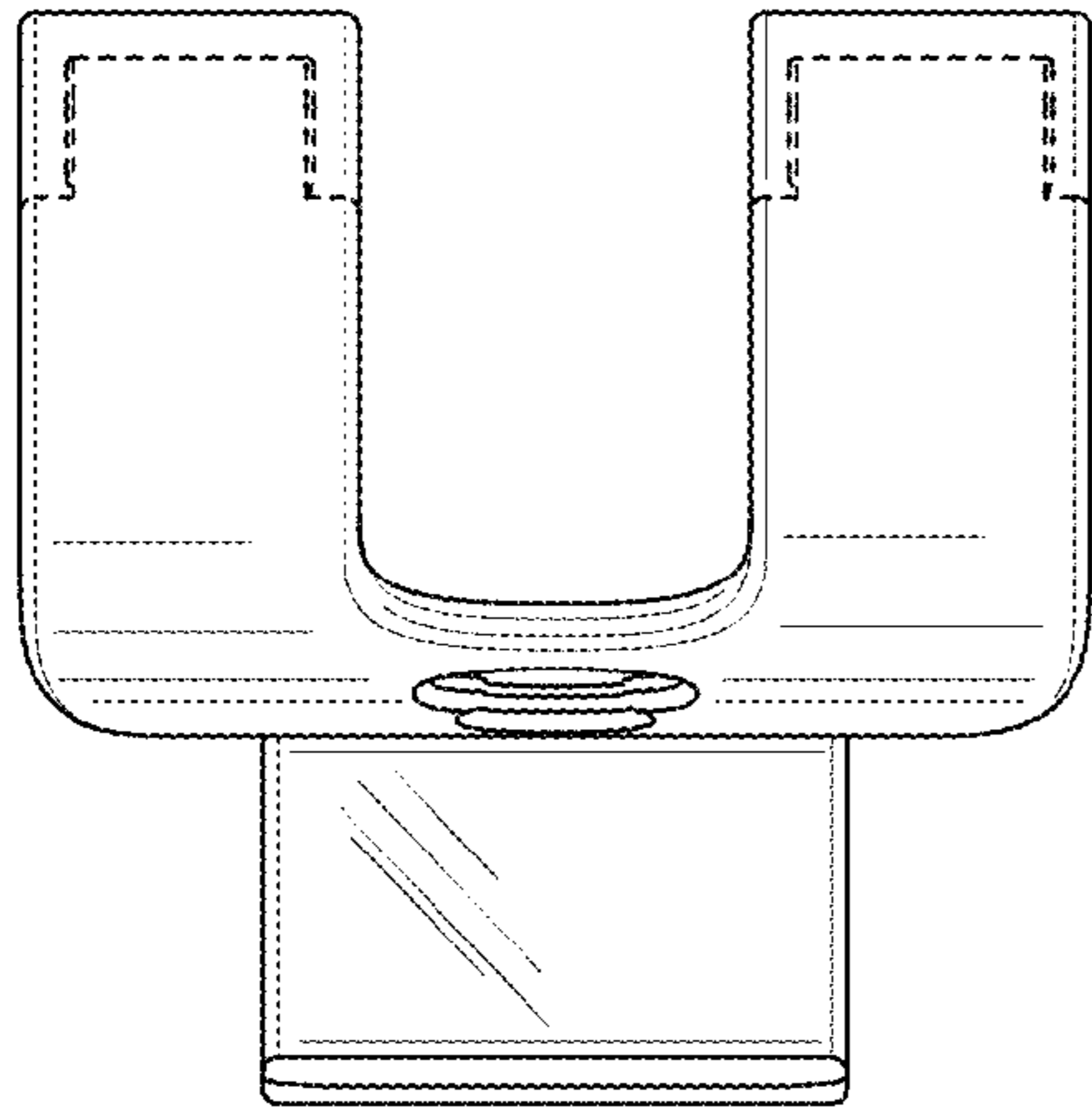


FIG 5

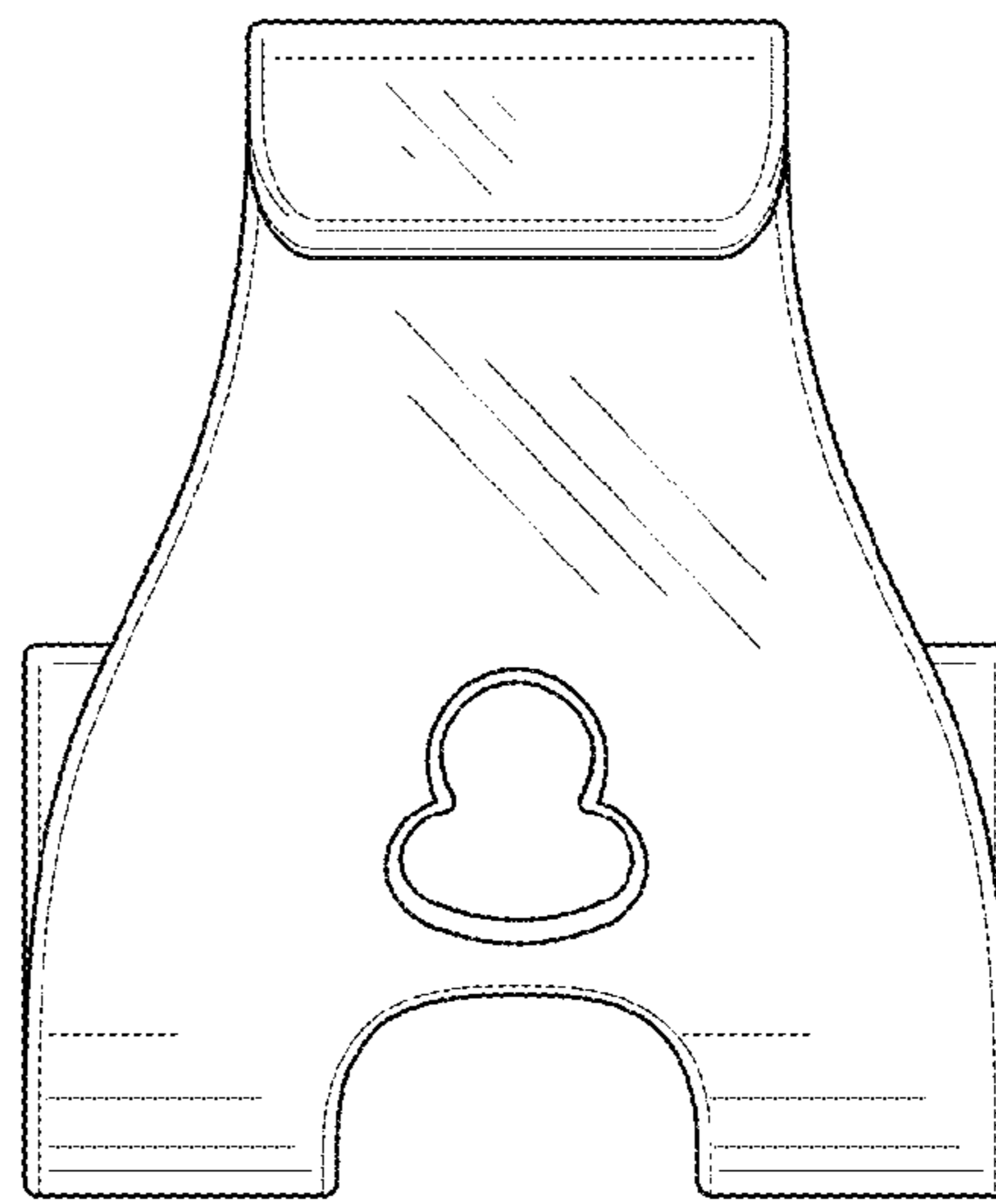


FIG 6