



US00D735563S

(12) **United States Design Patent**
Kelley

(10) **Patent No.:** **US D735,563 S**

(45) **Date of Patent:** **** Aug. 4, 2015**

(54) **MOVEABLE CLEAT**

(71) Applicant: **Gary W. Kelley**, Sheridan, AR (US)

(72) Inventor: **Gary W. Kelley**, Sheridan, AR (US)

(**) Term: **14 Years**

(21) Appl. No.: **29/466,742**

(22) Filed: **Sep. 11, 2013**

(51) **LOC (10) Cl.** **08-05**

(52) **U.S. Cl.**
USPC **D8/367**

(58) **Field of Classification Search**
USPC D8/349, 354-355, 367, 373, 380,
D8/382-383, 394, 396; D13/155, 102,
D13/118, 154, 184, 199; D14/209, 204;
D16/330, 242; D21/484, 500, 504
CPC .. A62B 1/06; A62B 35/0068; Y10T 24/3916;
Y10T 24/4764
See application file for complete search history.

(56) **References Cited**

U.S. PATENT DOCUMENTS

386,237	A *	7/1888	Budd	188/65.4
1,537,785	A *	5/1925	Parker	59/95
2,441,336	A *	5/1948	Sova	24/129 R
D241,114	S *	8/1976	Hess	D8/26
D241,117	S *	8/1976	Holtz	D8/367
D273,176	S *	3/1984	Abbott	D8/356

4,508,193	A *	4/1985	Forrest	182/5
4,550,801	A *	11/1985	Forrest	182/7
4,872,240	A *	10/1989	Spinner et al.	16/428
4,899,680	A *	2/1990	Russell, Jr.	114/230.29
D321,470	S *	11/1991	Gerrard	D8/356
6,022,059	A *	2/2000	Regamey	294/24
6,088,884	A *	7/2000	Hentz	24/265 R
D465,405	S *	11/2002	Becquevort	D8/367
7,219,398	B1 *	5/2007	Hunt et al.	24/115 R
D654,352	S *	2/2012	Blocker	D8/367
2012/0255149	A1 *	10/2012	Kalavitz	24/483
2013/0298493	A1 *	11/2013	Guthrie et al.	52/704

* cited by examiner

Primary Examiner — Karen E Kearney

Assistant Examiner — Nathaniel D Buckner

(74) *Attorney, Agent, or Firm* — Joe D. Calhoun

(57) **CLAIM**

I claim the ornamental design for a moveable cleat, as shown and described.

DESCRIPTION

FIG. 1 is a perspective view of a moveable cleat.
FIG. 2 is a top plan view of the moveable cleat of FIG. 1.
FIG. 3 is a bottom plan view of the moveable cleat of FIG. 1.
FIG. 4 is a side elevation view of the moveable cleat of FIG. 1.
FIG. 5 is a front elevation view of the moveable cleat of FIG. 1; and,
FIG. 6 is a rear elevation view of the moveable cleat of FIG. 1.

1 Claim, 5 Drawing Sheets

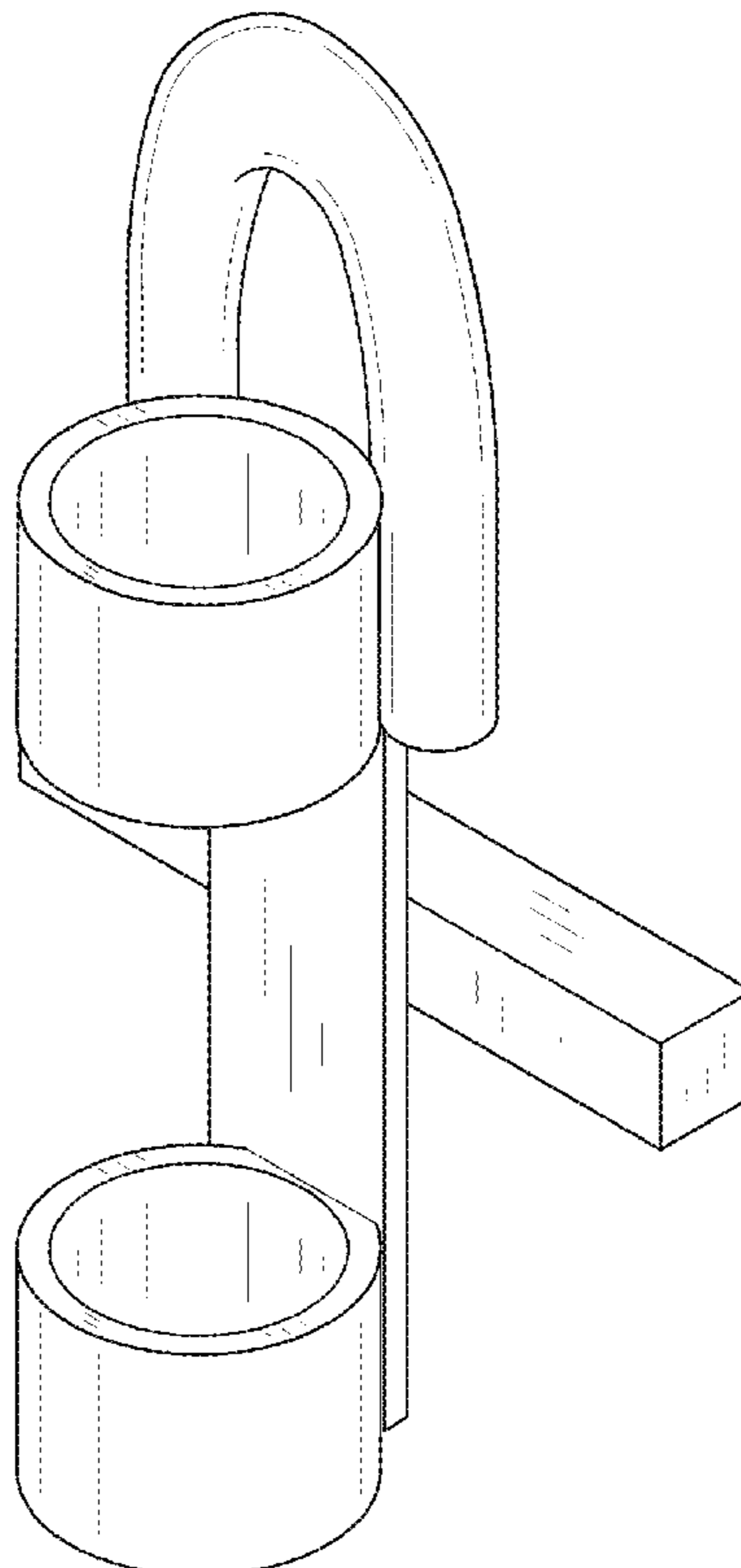
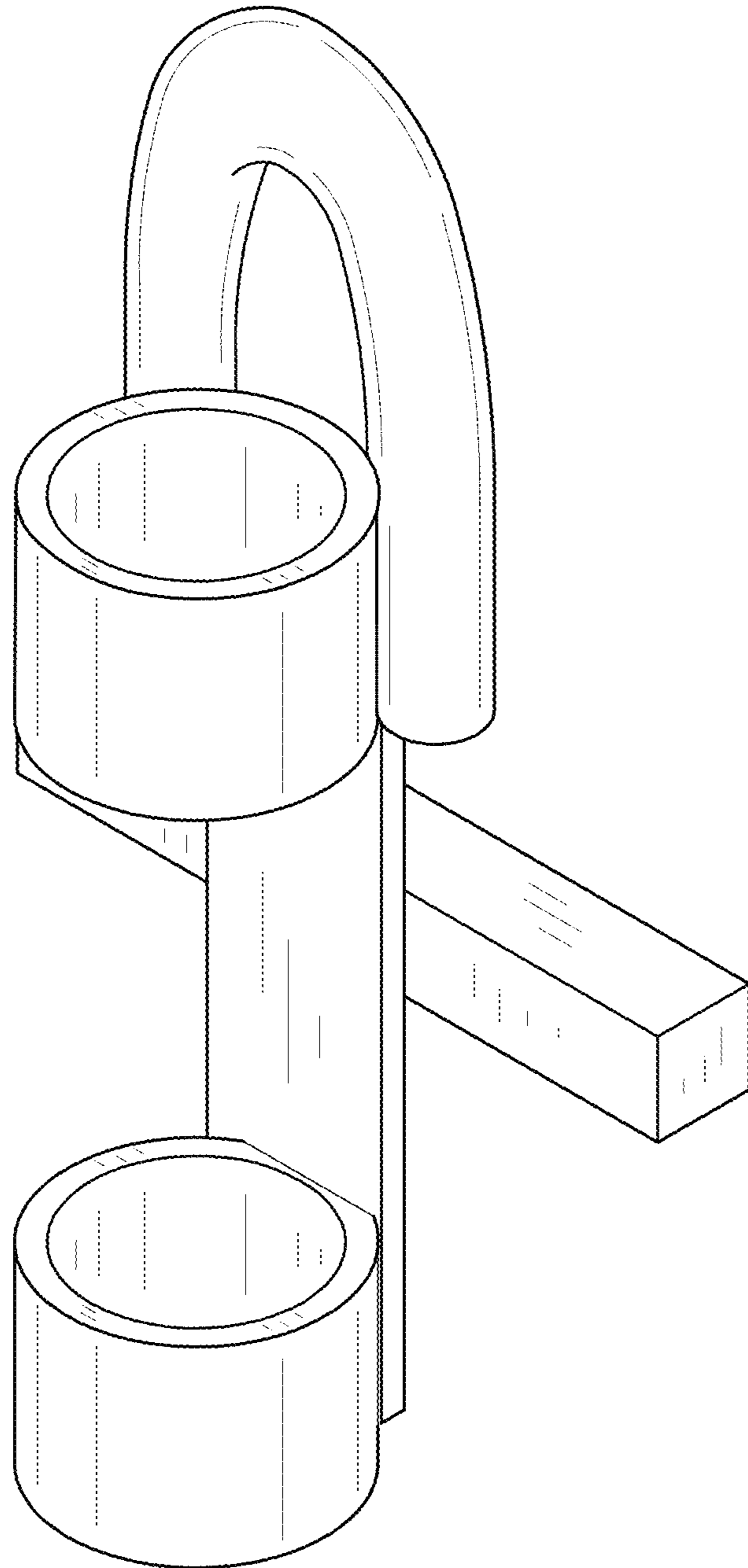


FIG. 1



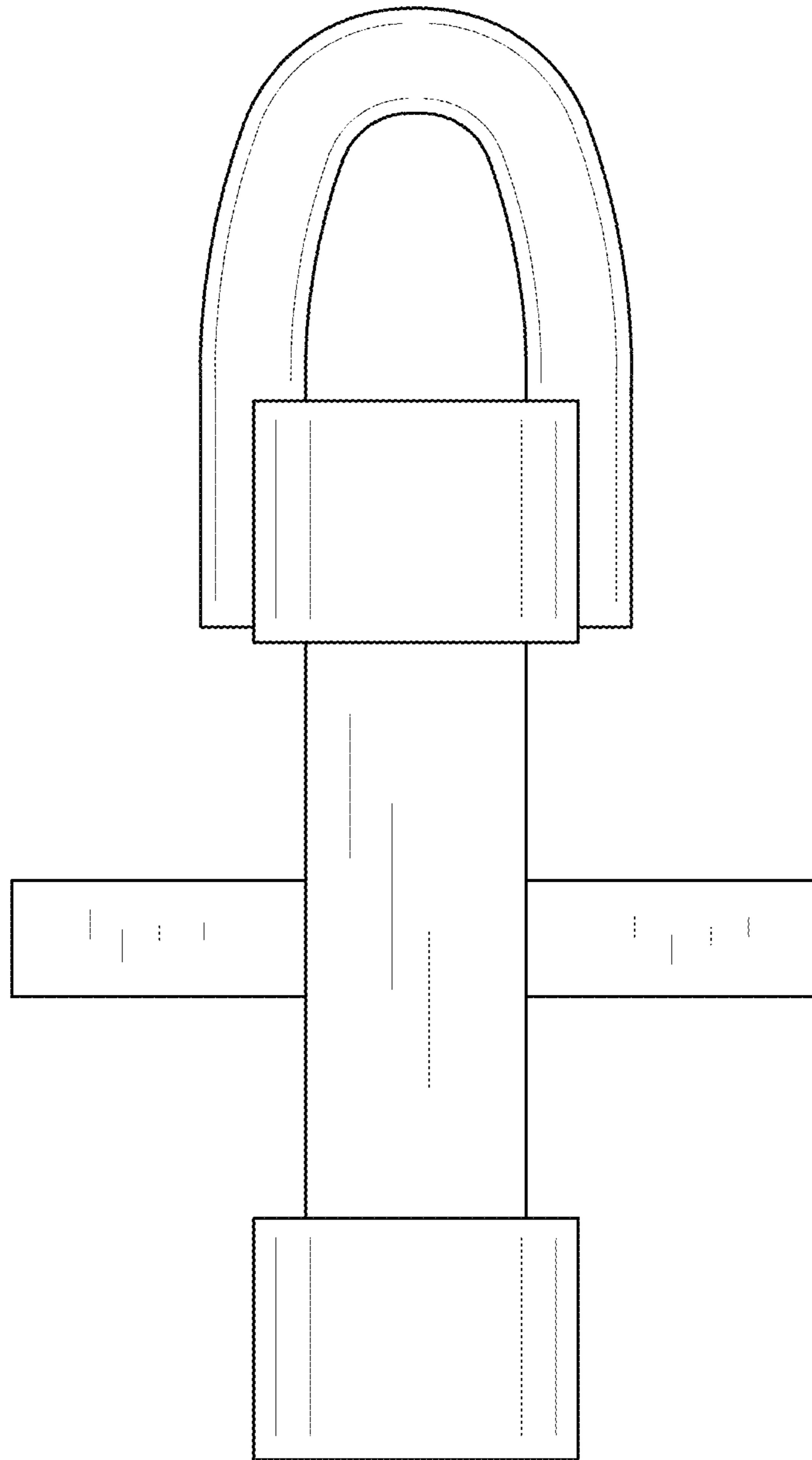


FIG. 2

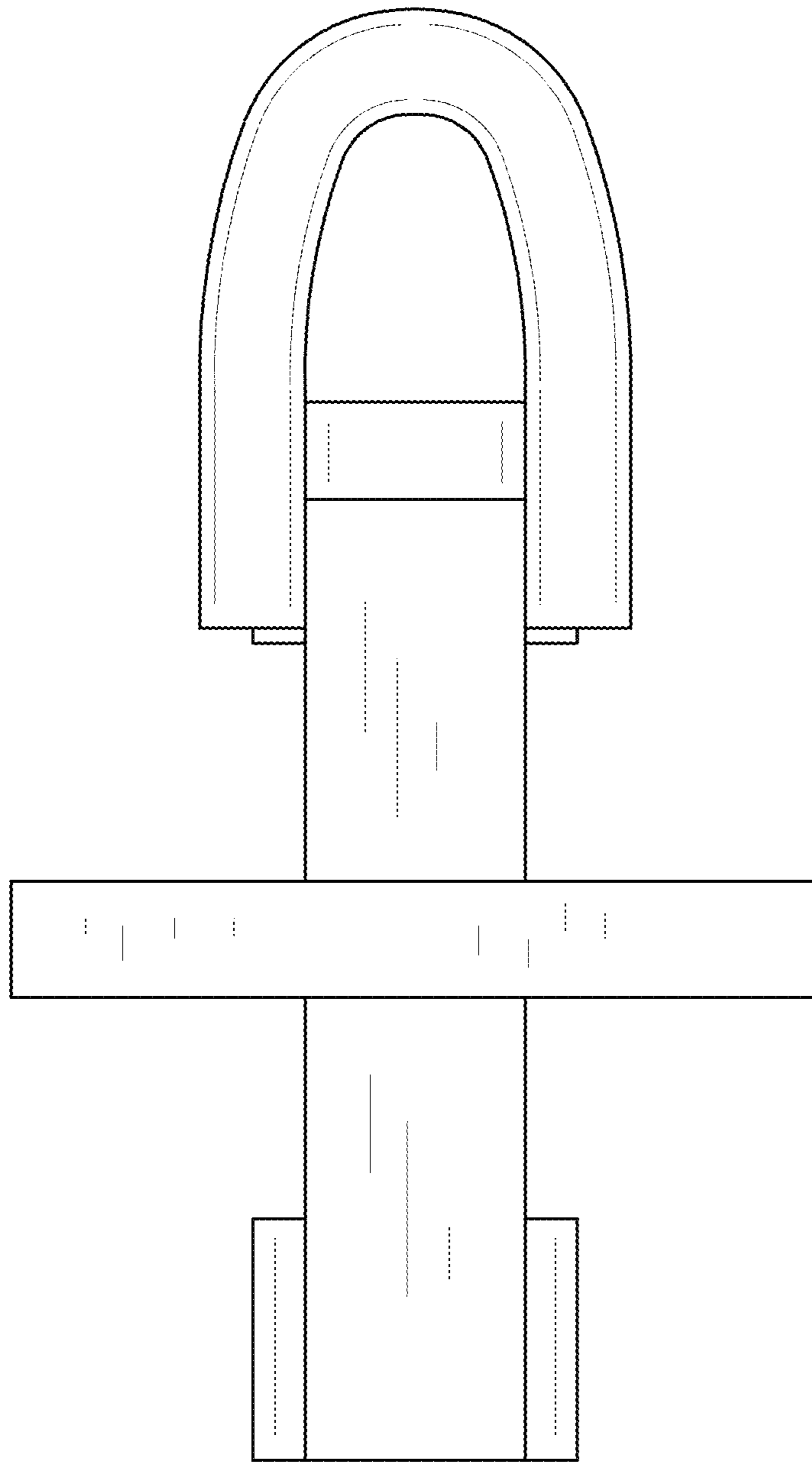


FIG. 3

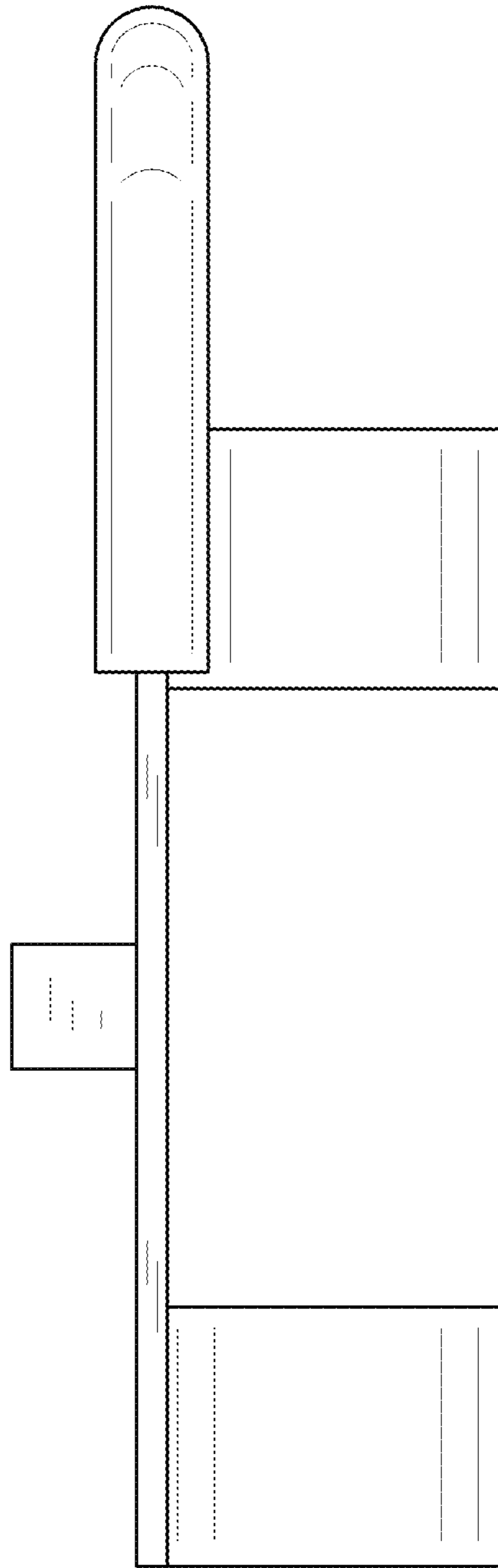


FIG. 4

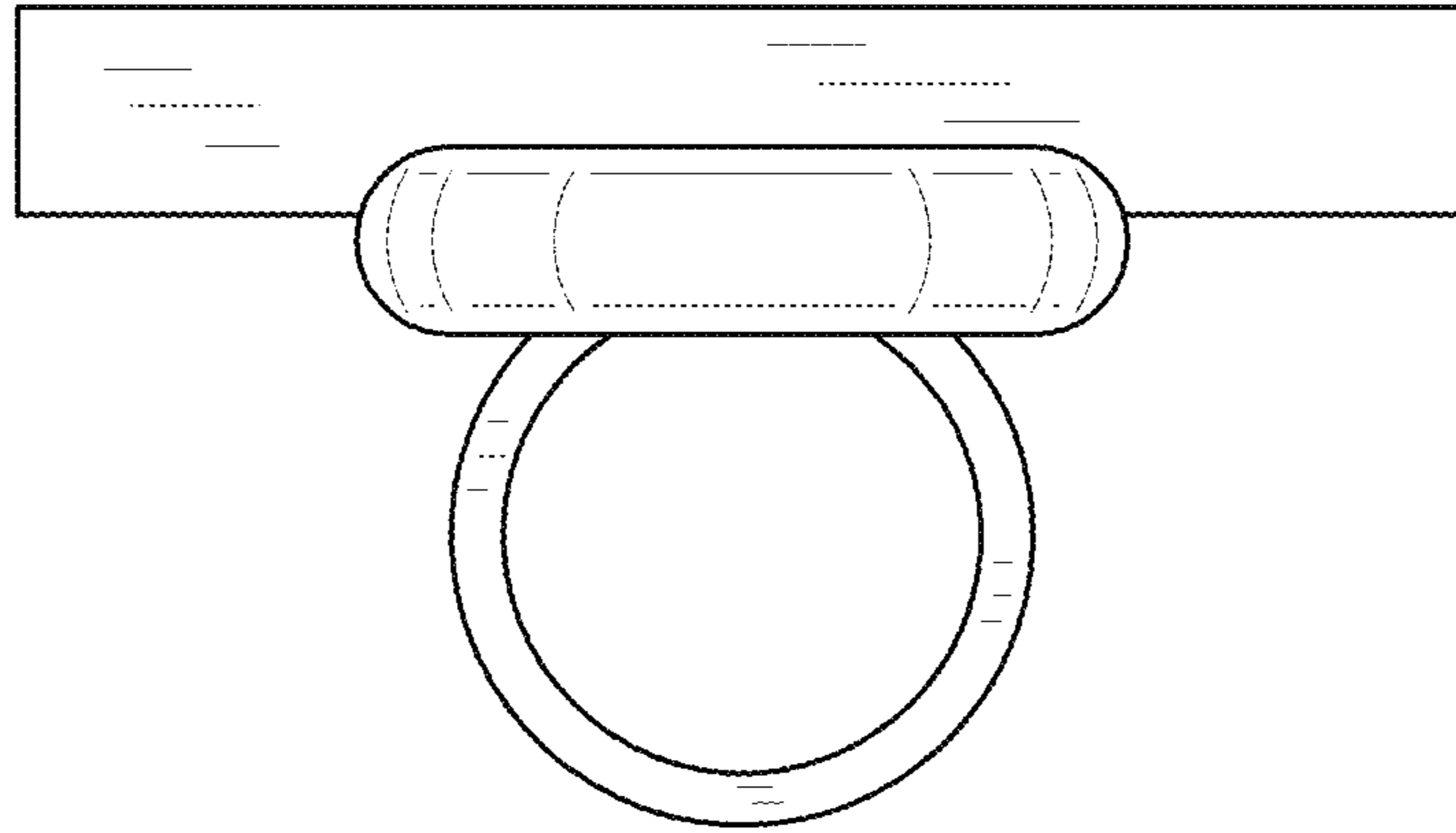


FIG. 5

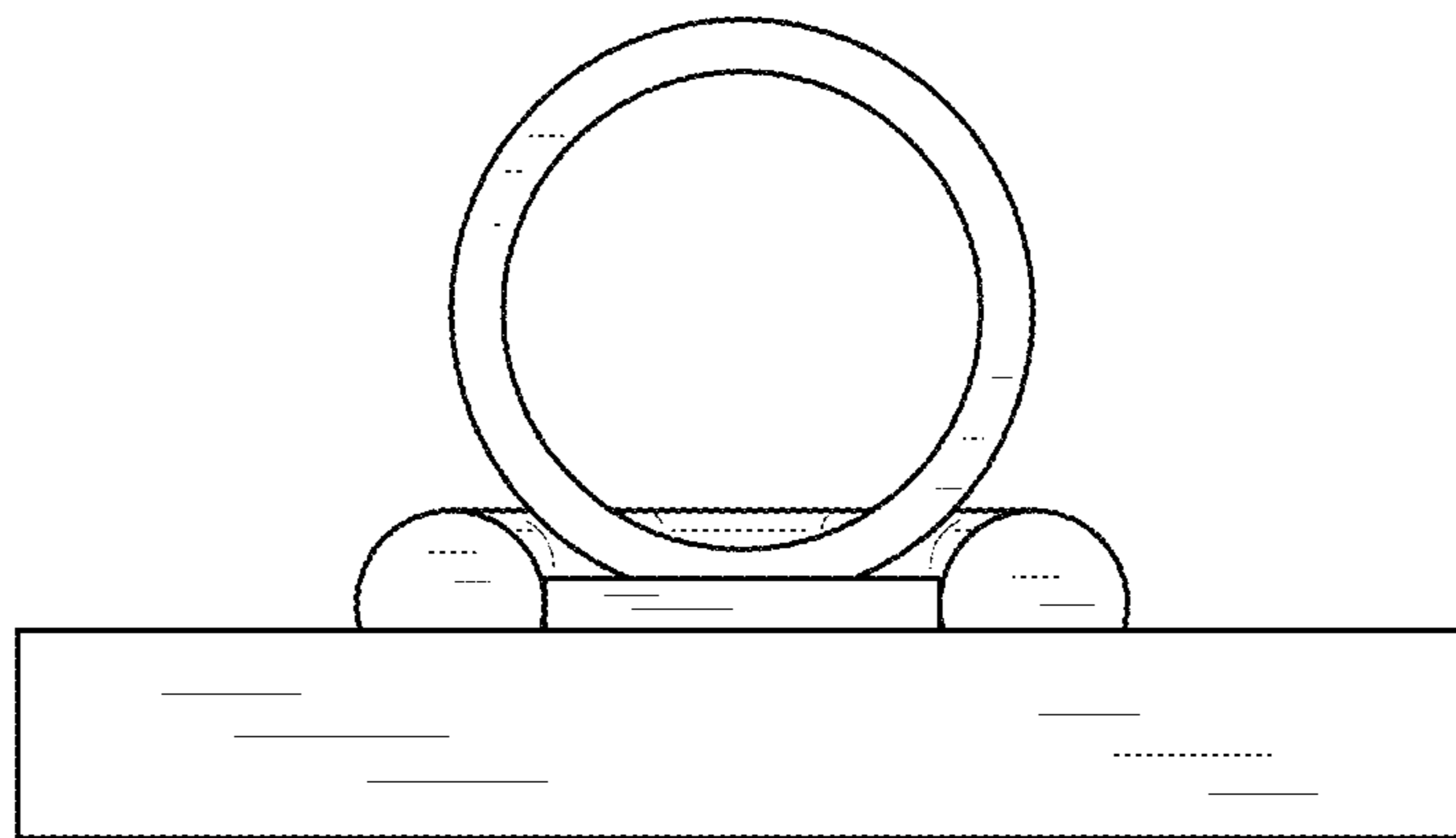


FIG. 6