



US00D735562S

(12) **United States Design Patent**  
**Cahill**

(10) **Patent No.:** **US D735,562 S**

(45) **Date of Patent:** **\*\* Aug. 4, 2015**

(54) **MOUNTING POST FOR BATHROOM,  
KITCHEN OR LAUNDRY ACCESSORY**

(71) Applicant: **Moen Incorporated**, North Olmsted,  
OH (US)

(72) Inventor: **Sam Cahill**, Chesterland, OH (US)

(73) Assignee: **Moen Incorporated**, North Olmstead,  
OH (US)

(\*\*) Term: **14 Years**

(21) Appl. No.: **29/484,854**

(22) Filed: **Mar. 13, 2014**

(51) **LOC (10) Cl.** ..... **08-05**

(52) **U.S. Cl.**  
USPC ..... **D8/363**

(58) **Field of Classification Search**  
USPC ..... D8/19, 44, 383, 374, 300, 303, 308,  
D8/313, 314, 363, 381, 380, 373, 394, 395,  
D8/396; 24/136 K, 130, 136 R; 42/50;  
5/205, 224; 403/314; 248/328;  
D13/133; D22/108; D19/1; D30/119;  
D6/540, 546, 554, 550; D23/238;  
D9/686, 687  
CPC ... A47H 1/022; A47H 1/102; A47H 2201/02;  
A47H 13/00; A47H 1/02; A47H 1/122;  
A47H 1/142; A47H 2001/0205; E04F 13/0803  
See application file for complete search history.

(56) **References Cited**

**U.S. PATENT DOCUMENTS**

D84,671 S	7/1931	Baker
1,891,048 A	12/1932	Keefe
1,989,329 A	1/1935	McDonald
D144,010 S	2/1946	Van Doren
D144,011 S	2/1946	Van Doren
D146,078 S	12/1946	Gerity, Jr.

D150,771 S	8/1948	Iskyan	
D163,444 S	5/1951	Crook	
D256,865 S *	9/1980	Crowe	..... D6/550
D327,196 S	6/1992	Crook et al.	
D385,735 S	11/1997	Hundley et al.	
D386,923 S	12/1997	Moore	
D388,272 S	12/1997	Moore	
D388,644 S	1/1998	Chen	
D416,419 S	11/1999	Chen	
D417,605 S *	12/1999	Sartini et al.	..... D8/363
D418,345 S	1/2000	Chen	
D423,854 S	5/2000	Roth et al.	

(Continued)

*Primary Examiner* — Robert M Spear

*Assistant Examiner* — Eliza Bennett-Hattan

(74) *Attorney, Agent, or Firm* — Calfee, Halter & Griswold  
LLP

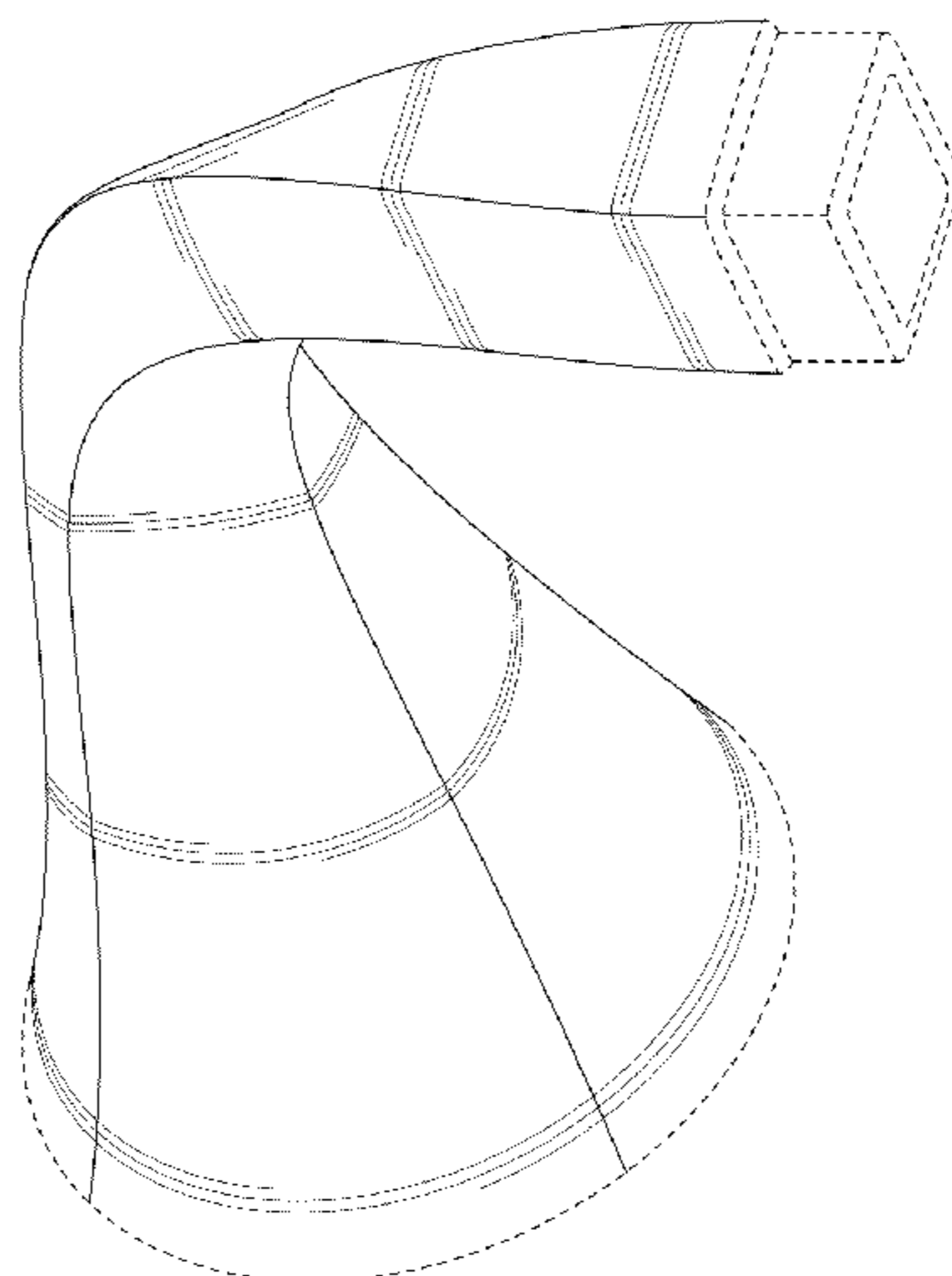
(57) **CLAIM**

The ornamental design for an mounting post for bathroom,  
kitchen or laundry accessory, as shown and described.

**DESCRIPTION**

FIG. 1 is a perspective view of an mounting post for bath-  
room, kitchen or laundry accessory of the new design;  
FIG. 2 is a front elevational view of the mounting post for  
bathroom, kitchen or laundry accessory of FIG. 1;  
FIG. 3 is a rear elevational view of the mounting post for  
bathroom, kitchen or laundry accessory of FIG. 1;  
FIG. 4 is a left side elevational view of the mounting post for  
bathroom, kitchen or laundry accessory of FIG. 1;  
FIG. 5 is a right side elevational view of the mounting post for  
bathroom, kitchen or laundry accessory of FIG. 1;  
FIG. 6 is a top plan view of the mounting post for bathroom,  
kitchen or laundry accessory of FIG. 1; and,  
FIG. 7 is a bottom plan view of the mounting post for bath-  
room, kitchen or laundry accessory of FIG. 1.  
The portions of the Figures shown in broken lines are not part  
of the claimed design and are for illustration only.

**1 Claim, 5 Drawing Sheets**



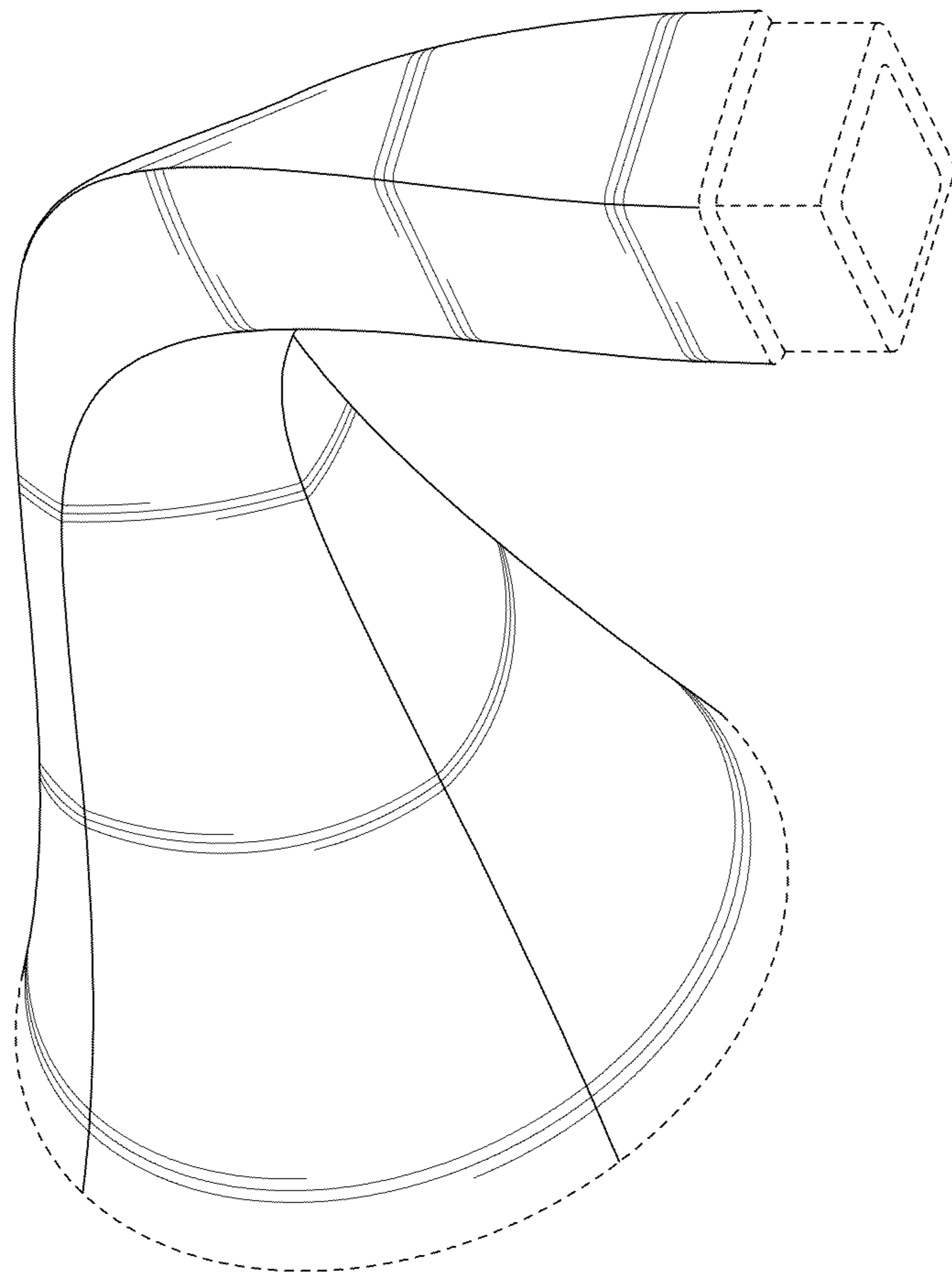
(56)

References Cited

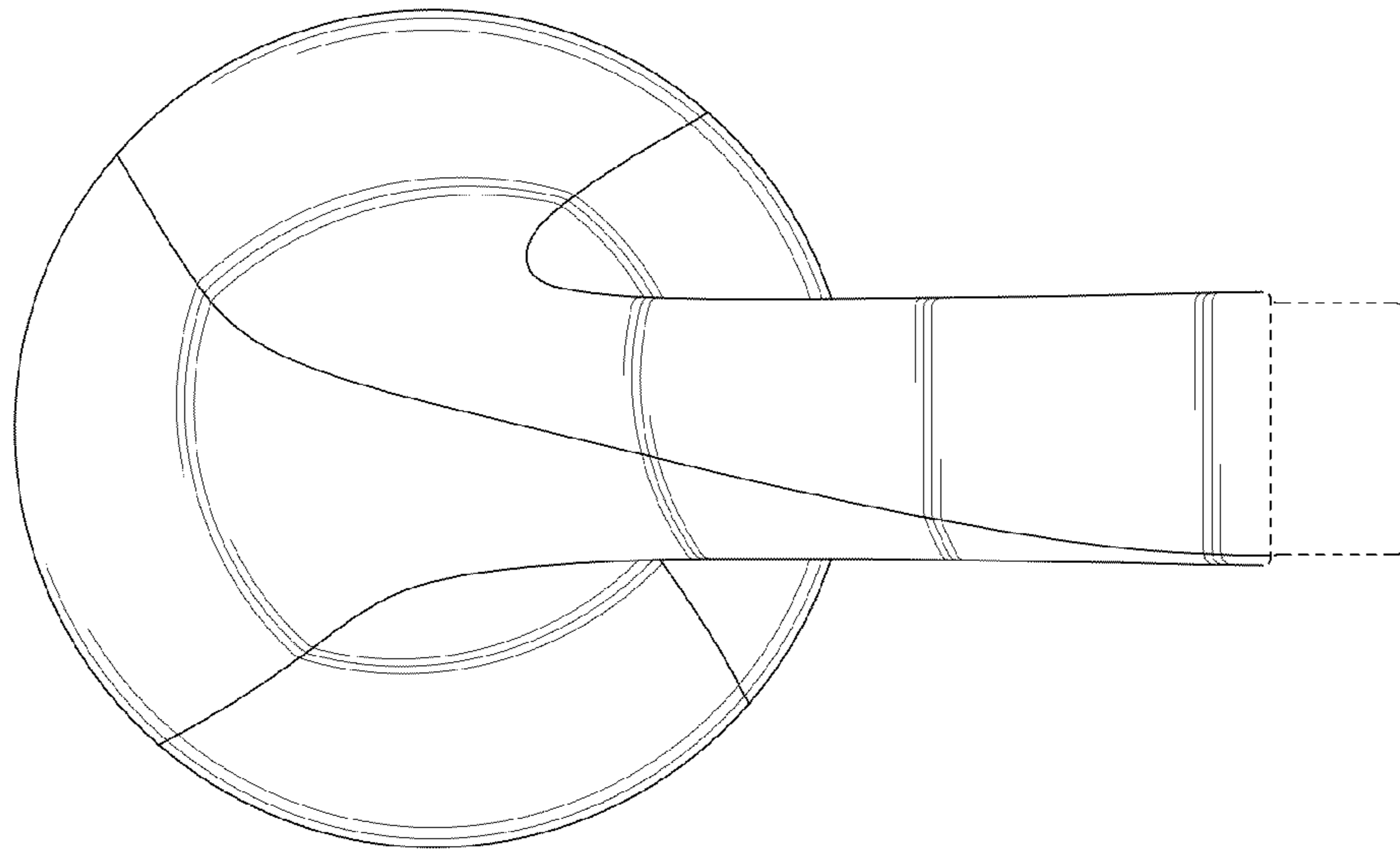
U.S. PATENT DOCUMENTS

D424,344 S	5/2000	Roth et al.		D587,786 S	3/2009	Williams	
D439,088 S	3/2001	Chen		D591,835 S	5/2009	Williams	
D439,092 S	3/2001	Wu		D596,887 S	7/2009	Sedwick	
D439,779 S	4/2001	Wu		D599,440 S	9/2009	Williams	
D452,402 S *	12/2001	Chen .....	D6/550	D601,668 S	10/2009	Williams	
D454,458 S	3/2002	Meck et al.		D608,124 S	1/2010	Sedwick	
D454,459 S	3/2002	Meck et al.		D610,021 S *	2/2010	Kinoshita et al. ....	D9/686
D463,937 S	10/2002	Lee Wang		D620,083 S	7/2010	Zhang	
D465,116 S	11/2002	Chen		D634,815 S	3/2011	Barry	
D468,145 S	1/2003	Ouyoung		D651,068 S *	12/2011	Kang .....	D8/363
D468,405 S	1/2003	McKeone		D654,742 S	2/2012	Slothower et al.	
D492,151 S	6/2004	Chen		D656,005 S *	3/2012	Affonso .....	D8/380
D520,333 S	5/2006	Gilbert		D656,585 S *	3/2012	McKeone .....	D23/238
D521,353 S *	5/2006	Gilbert .....	D8/308	D660,687 S *	5/2012	Fritz et al. ....	D8/363
D540,090 S	4/2007	Chen		D660,716 S *	5/2012	Dombrowski et al. ....	D9/686
D546,606 S	7/2007	Berberet		D662,832 S *	7/2012	Dombrowski et al. ....	D9/686
D549,305 S	8/2007	Sedwick		D666,040 S	8/2012	Sedwick	
D550,536 S	9/2007	Ricereto		D666,699 S	9/2012	Liao	
D557,049 S	12/2007	Sedwick et al.		D676,937 S	2/2013	Romero et al.	
D567,517 S	4/2008	Massaud		D681,166 S *	4/2013	Romero et al. ....	D23/238
D569,670 S *	5/2008	Chen .....	D6/550	D683,432 S	5/2013	Berger	
				8,439,075 B2	5/2013	Lin	
				D685,882 S	7/2013	Garland	

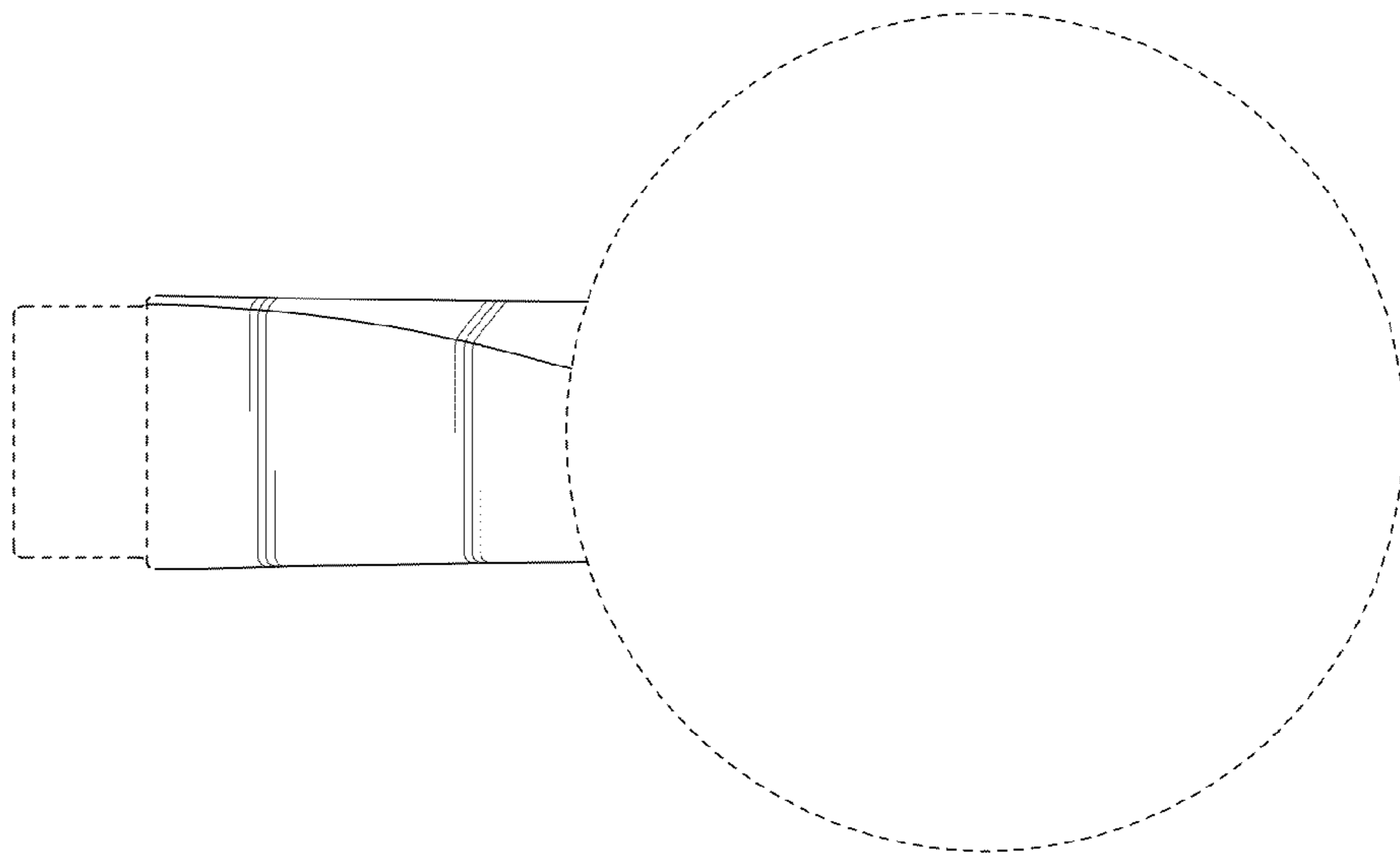
\* cited by examiner



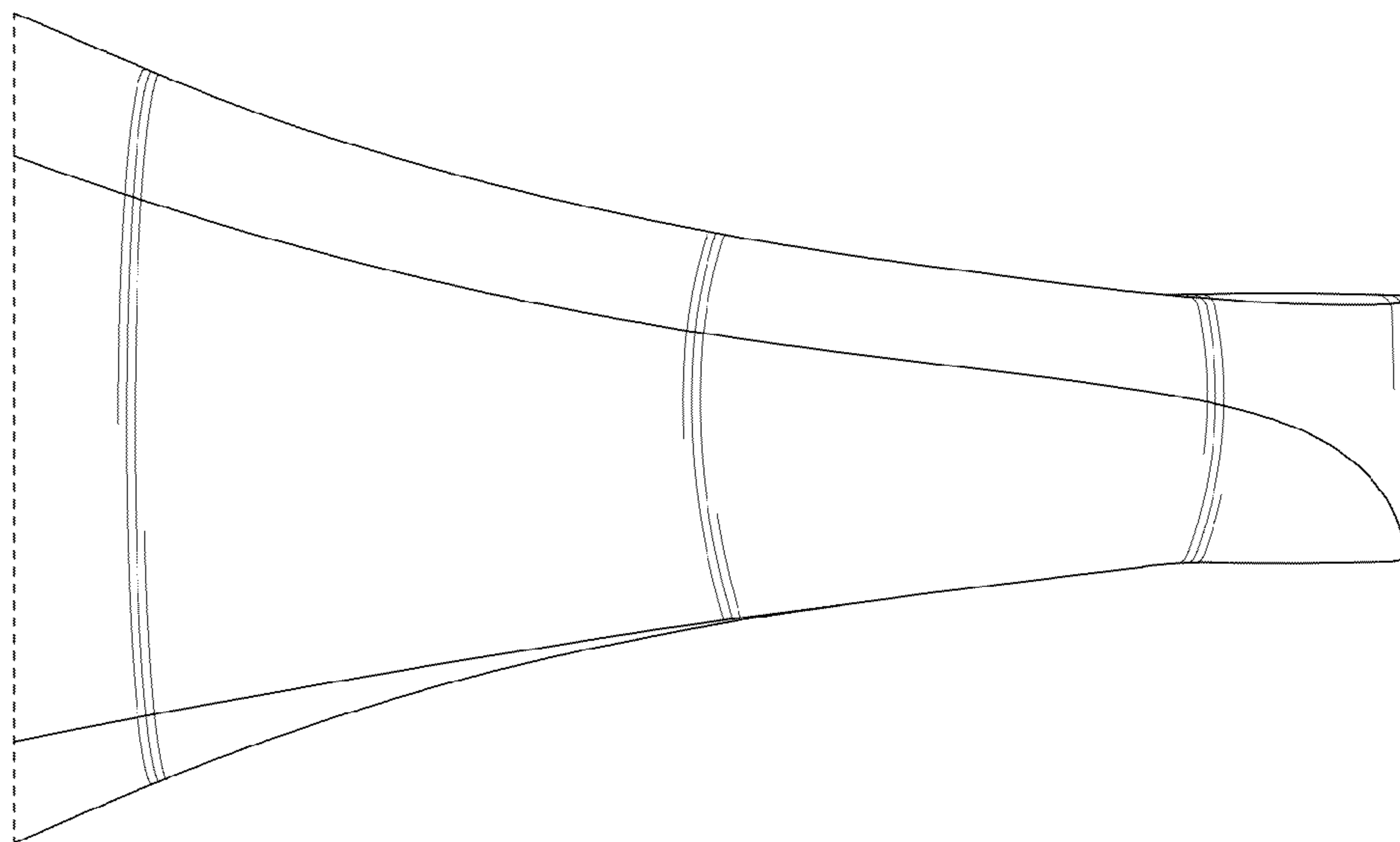
**FIG. 1**



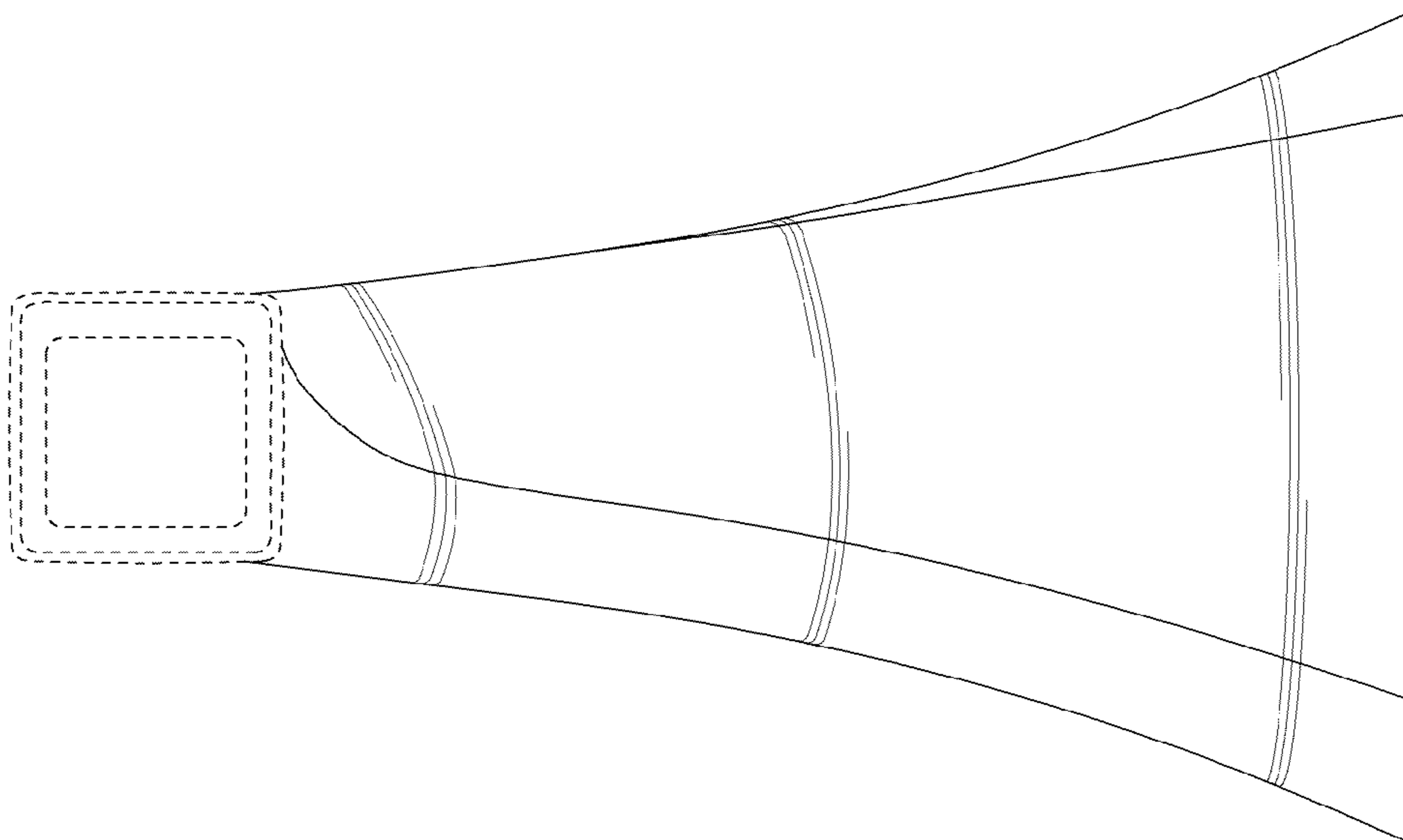
**FIG. 2**



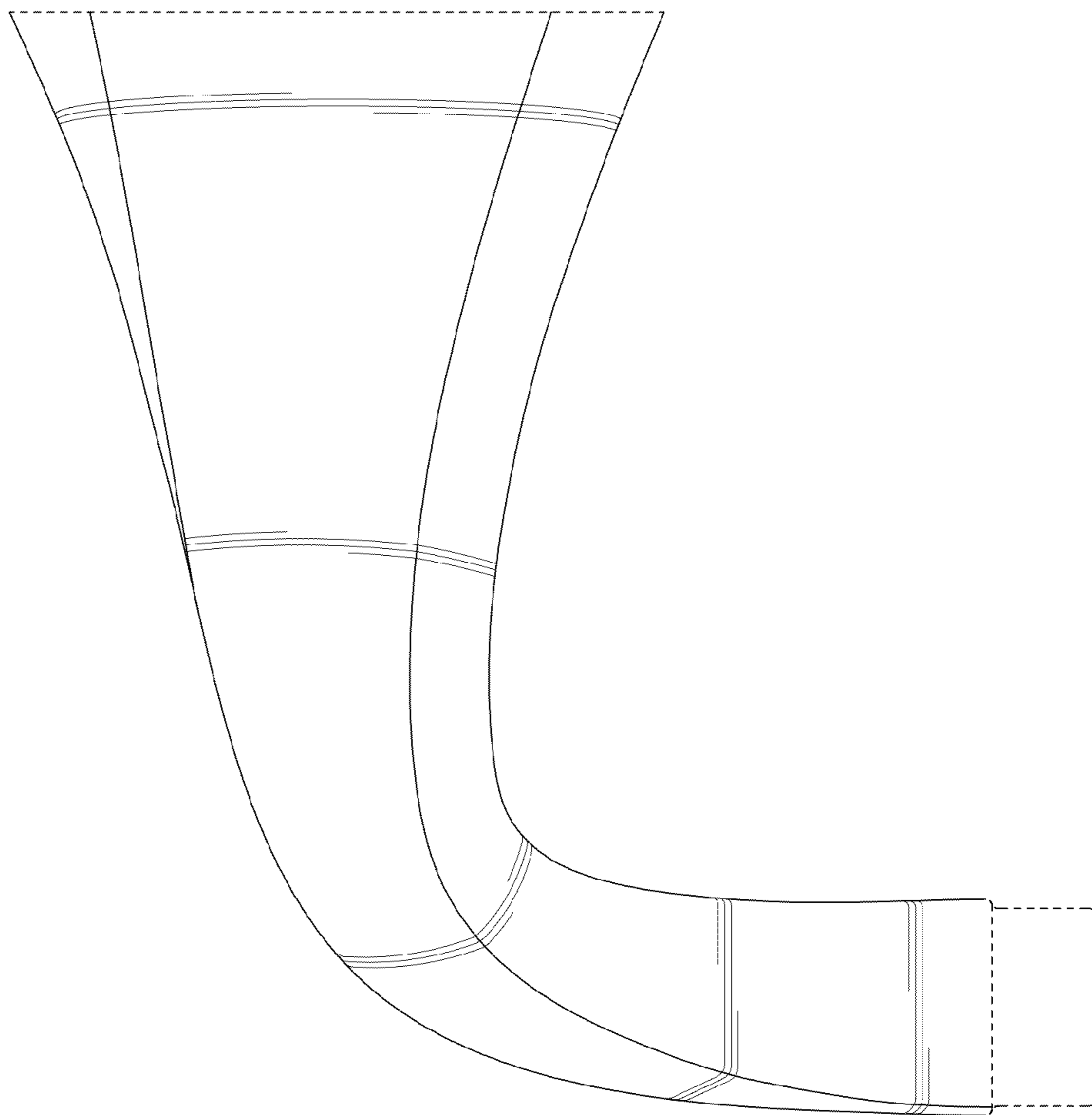
**FIG. 3**



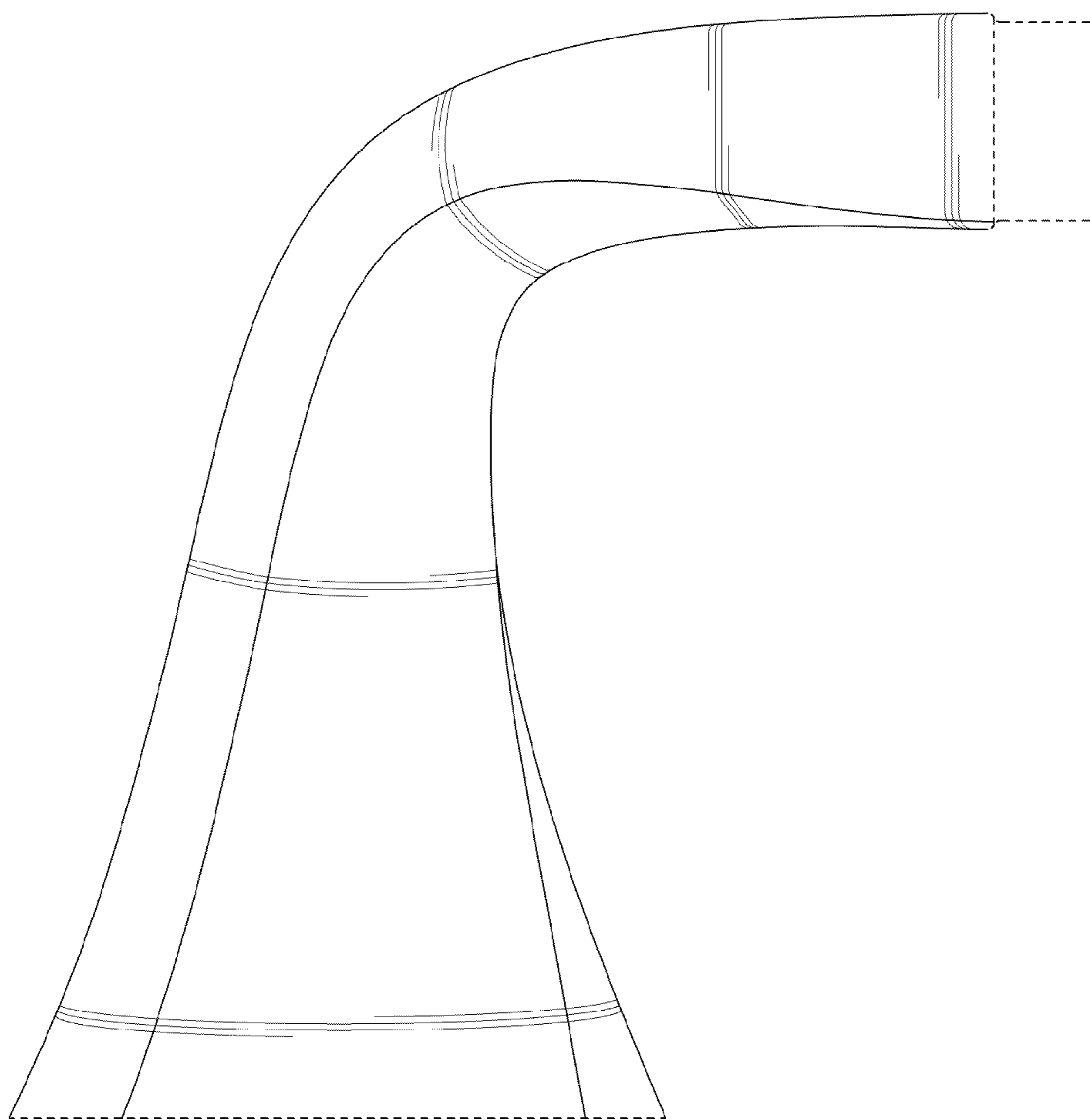
**FIG. 4**



**FIG. 5**



**FIG. 6**



**FIG. 7**