



US00D735558S

(12) **United States Design Patent**
Kopp

(10) **Patent No.:** **US D735,558 S**

(45) **Date of Patent:** **** Aug. 4, 2015**

(54) **FENCE T-POST BRACKET PAIR**

(71) Applicant: **Michael Kopp**, Swan Valley, ID (US)

(72) Inventor: **Michael Kopp**, Swan Valley, ID (US)

(**) Term: **14 Years**

(21) Appl. No.: **29/475,984**

(22) Filed: **Dec. 10, 2013**

(51) **LOC (10) Cl.** **08-05**

(52) **U.S. Cl.**
USPC **D8/354**

(58) **Field of Classification Search**

USPC D8/349, 354, 373, 380; 248/300

CPC A47F 5/00; A47F 7/021; A47F 5/0006;

A47H 1/10; A47G 29/00; A47B 97/00

See application file for complete search history.

(56) **References Cited**

U.S. PATENT DOCUMENTS

1,454,254	A	5/1923	Lee	
4,763,879	A	8/1988	Wasicek	
4,936,550	A	6/1990	Wickham et al.	
D310,780	S	9/1990	Kelley et al.	
4,982,932	A	1/1991	Baker	
5,439,201	A	8/1995	Landreville	
6,443,411	B1 *	9/2002	Merriweather, Jr.	248/300
6,481,696	B1	11/2002	Lion et al.	
6,619,627	B2	9/2003	Salisbury et al.	
6,705,598	B2	3/2004	Collins	
6,883,785	B1	4/2005	Knapp	
8,480,061	B2	7/2013	Graves	

* cited by examiner

Primary Examiner — Holly Baynham

(74) *Attorney, Agent, or Firm* — Daniel Boudwin; Global Intellectual Property Agency LLC

(57) **CLAIM**

The ornamental design for a fence T-post bracket pair, as shown and described.

DESCRIPTION

FIG. 1 is a perspective view of the fence T-post bracket pair of the present invention;

FIG. 2 is a perspective view of the fence T-post bracket pair in use;

FIG. 3 is an end view of the fence T-post bracket pair in use;

FIG. 4 is an opposite end view of the fence T-post bracket pair in use;

FIG. 5 is a top plan view of the fence T-post bracket pair in use;

FIG. 6 is a bottom plan view of the fence T-post bracket pair in use;

FIG. 7 is a side view of the first bracket of the fence T-post bracket pair in use;

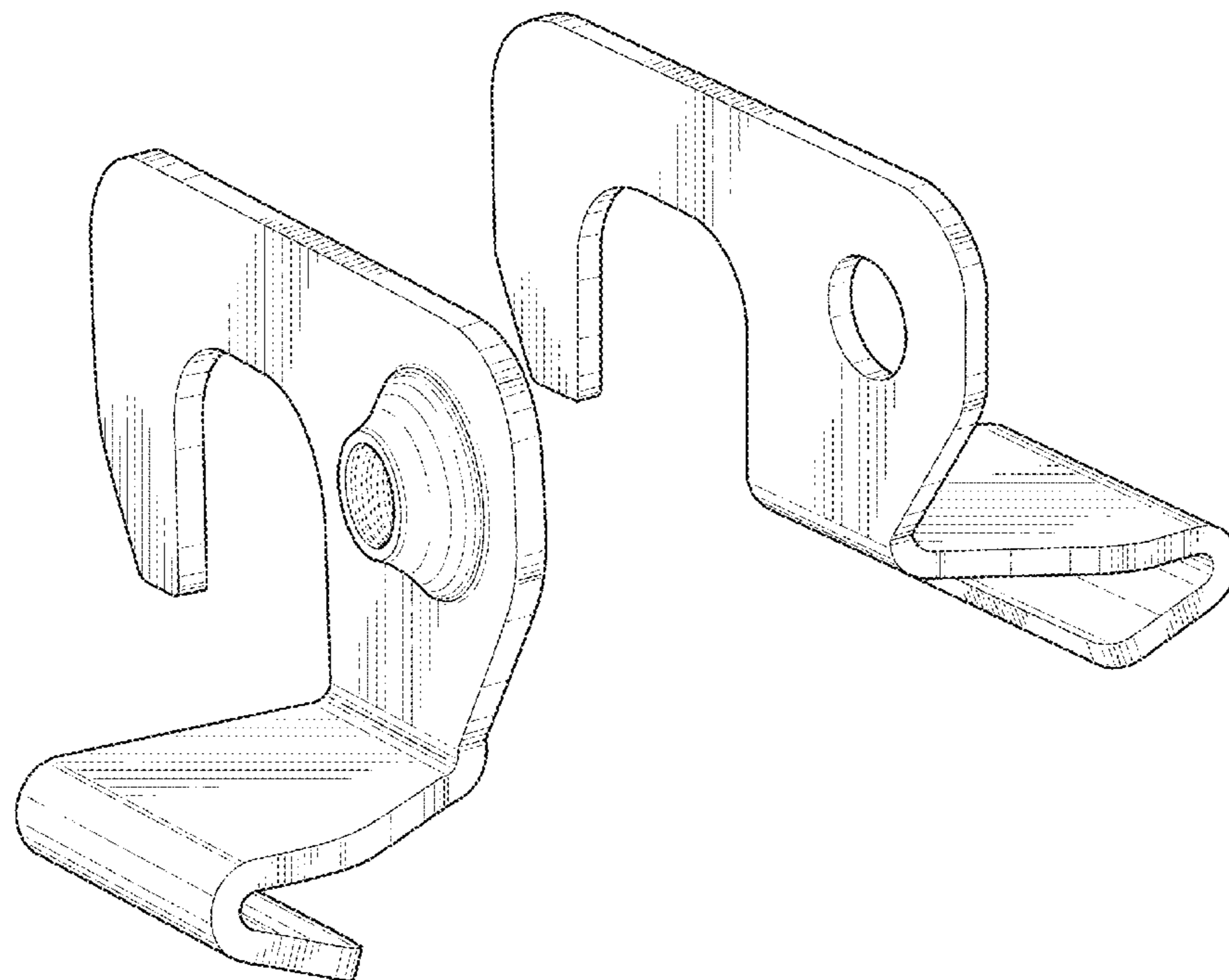
FIG. 8 is an opposite side view of the first bracket of the fence T-post bracket pair in use;

FIG. 9 is a side view of the second bracket of the fence T-post bracket pair in use; and,

FIG. 10 is an opposite side view of the second bracket of the fence T-post bracket pair in use.

The broken lines showing portions of a fence T-post and fastener are for the purposes of illustrating environment and form no part of the claimed design.

1 Claim, 7 Drawing Sheets



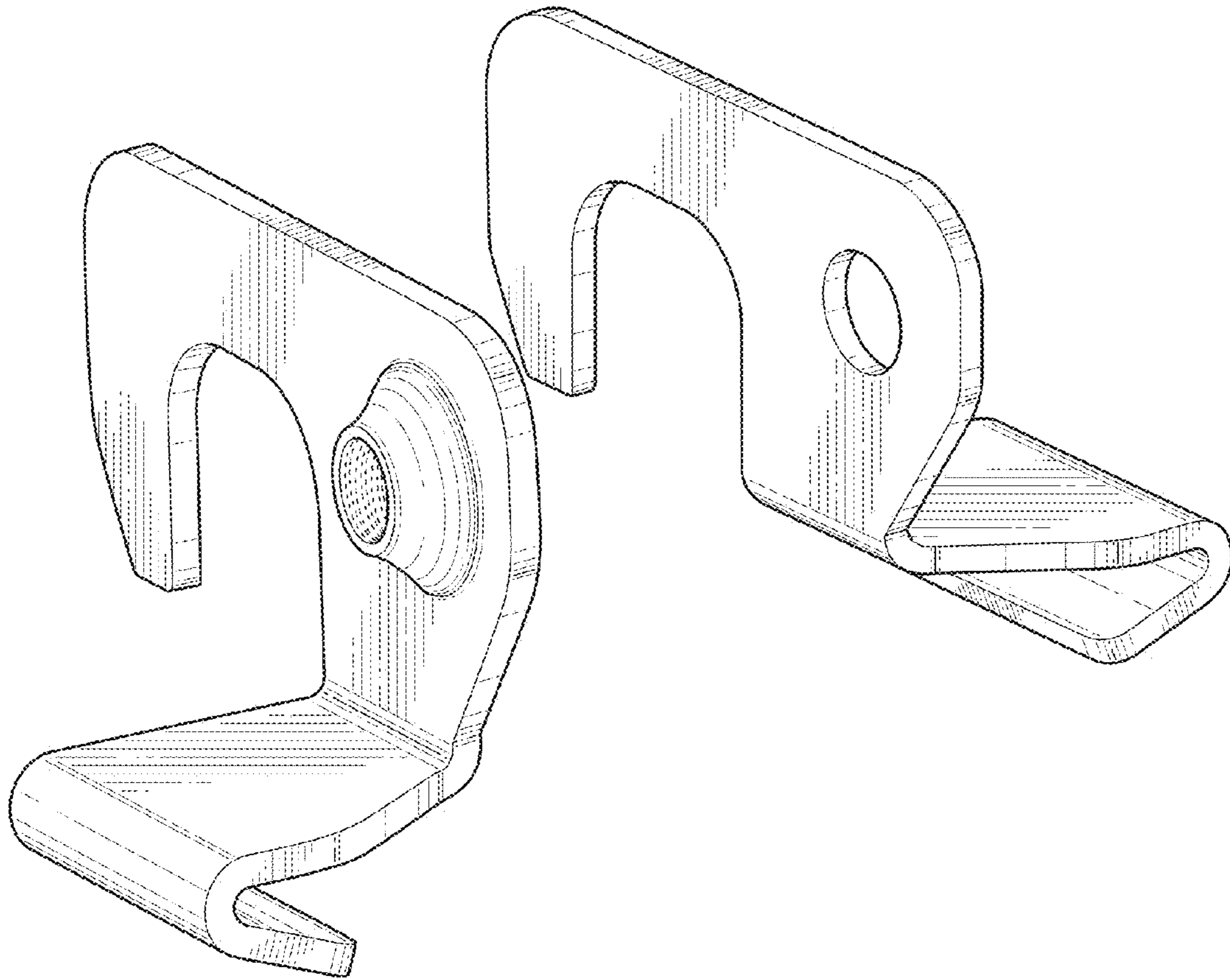


FIG. 1

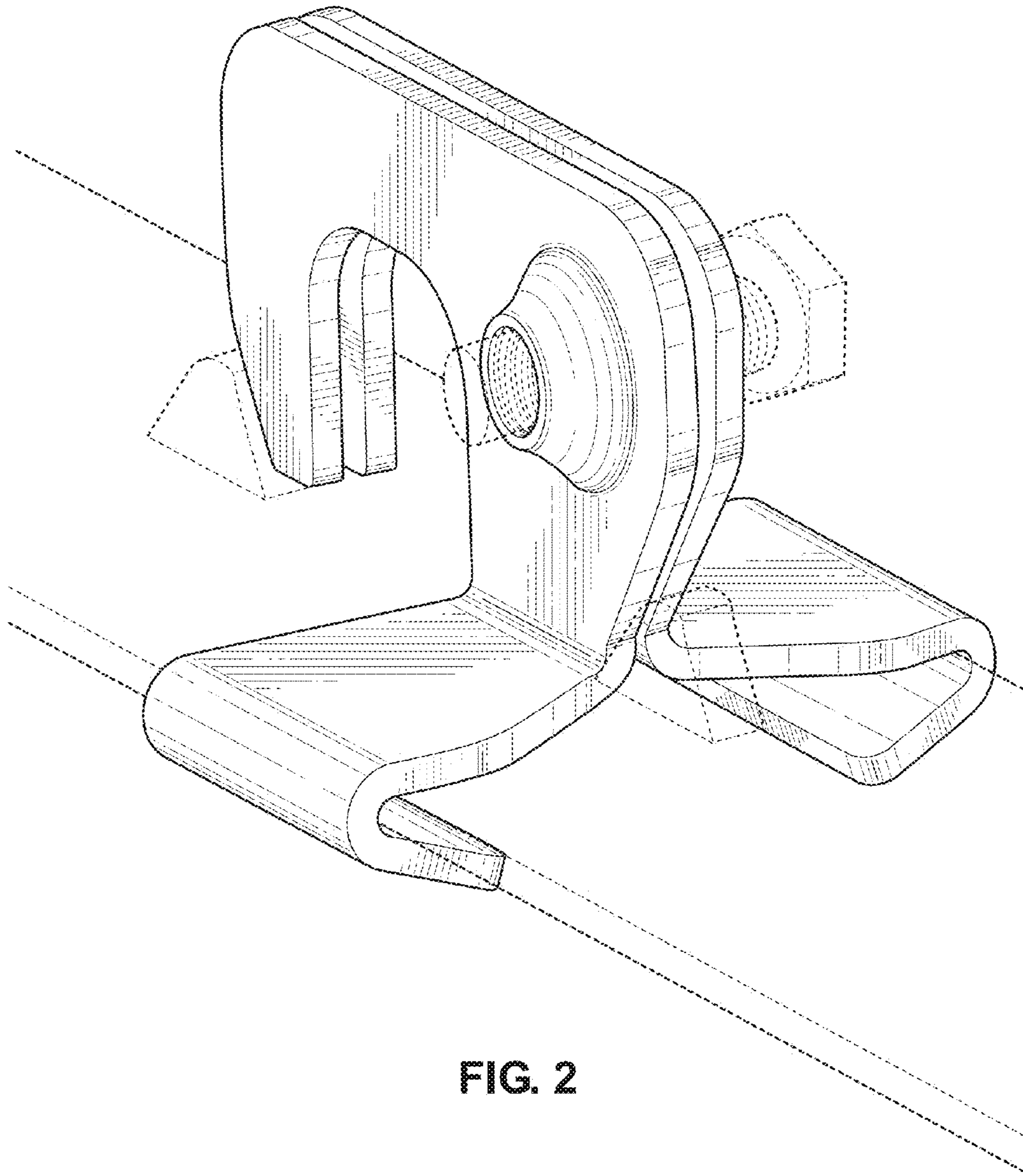


FIG. 2

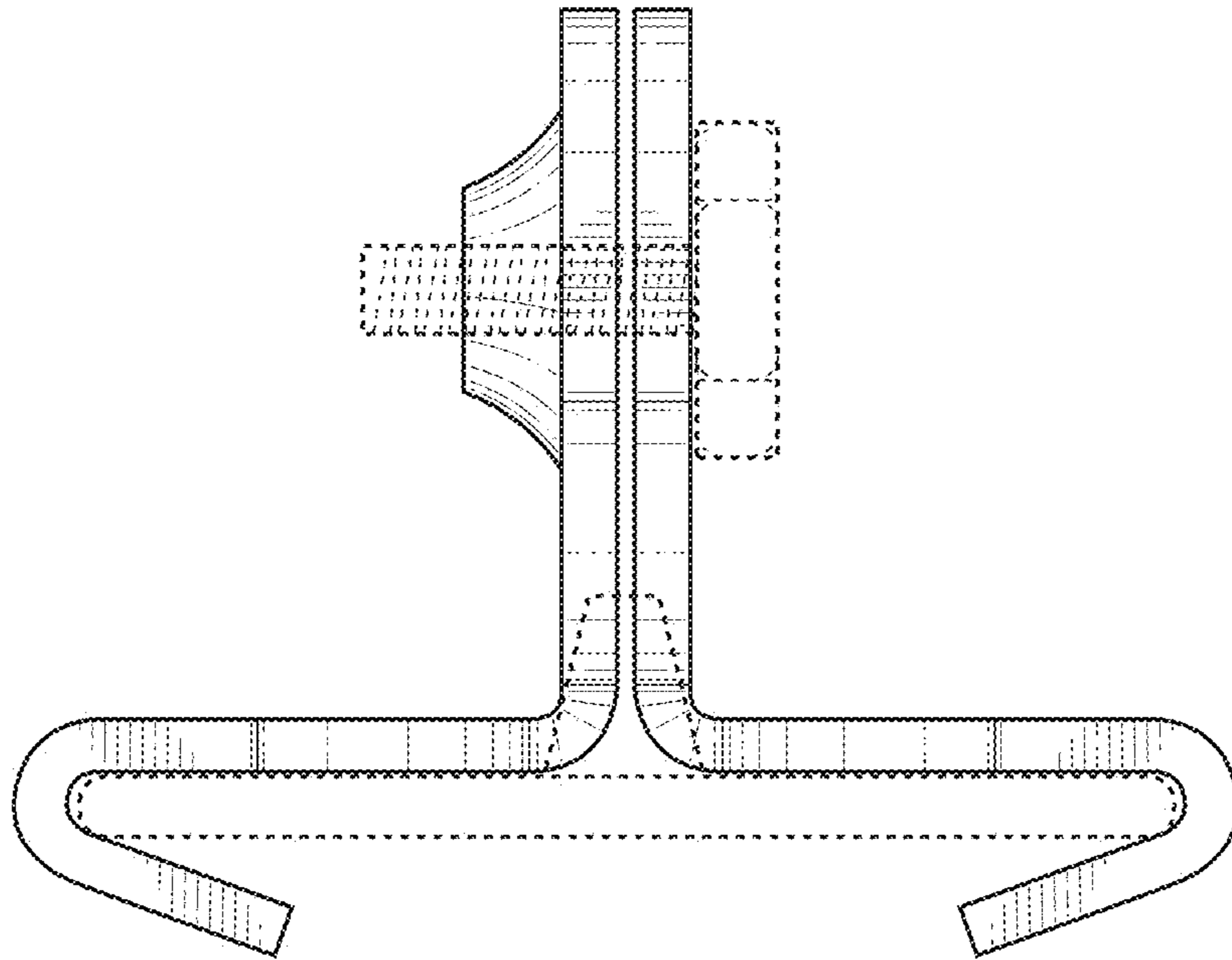


FIG. 3

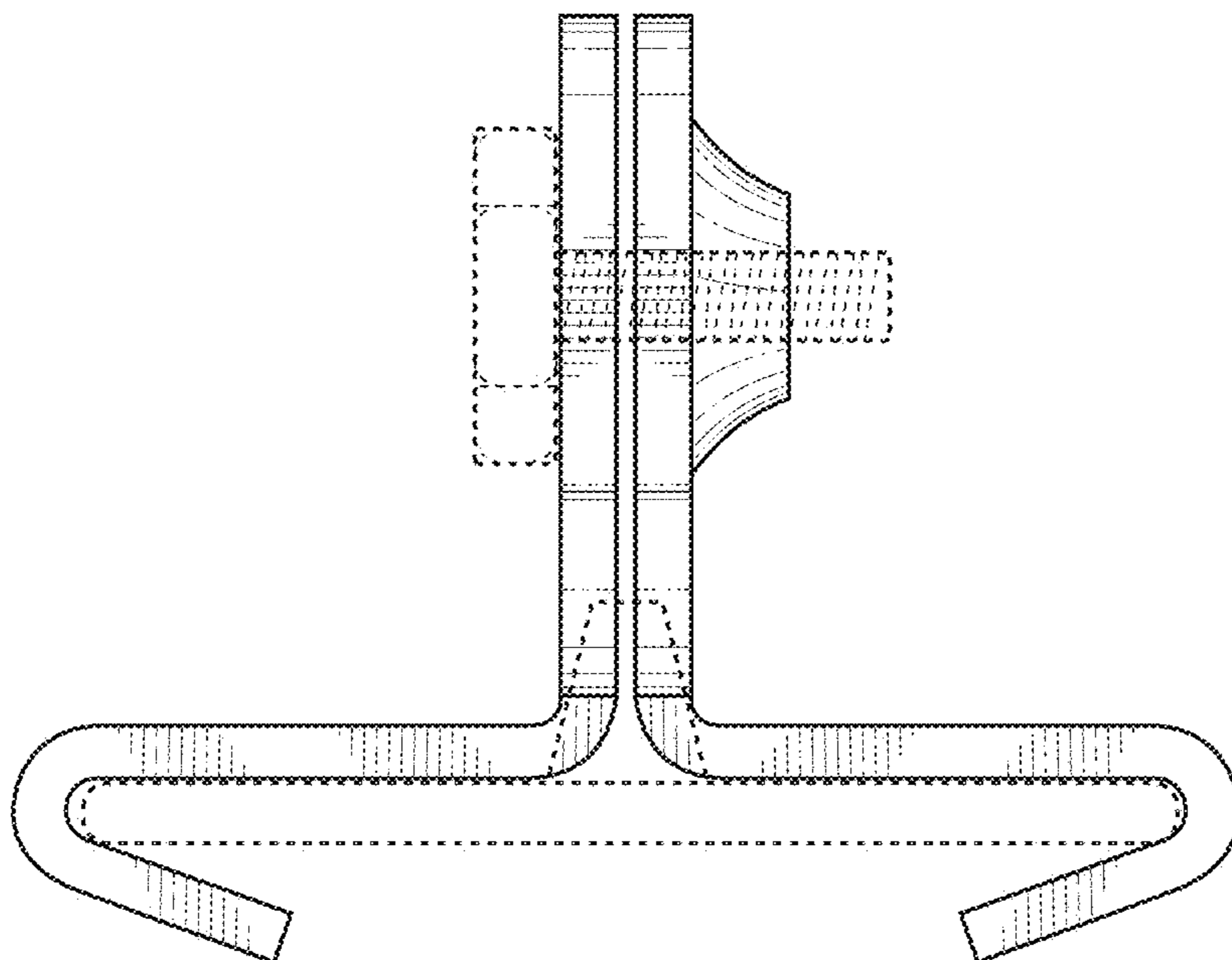


FIG. 4

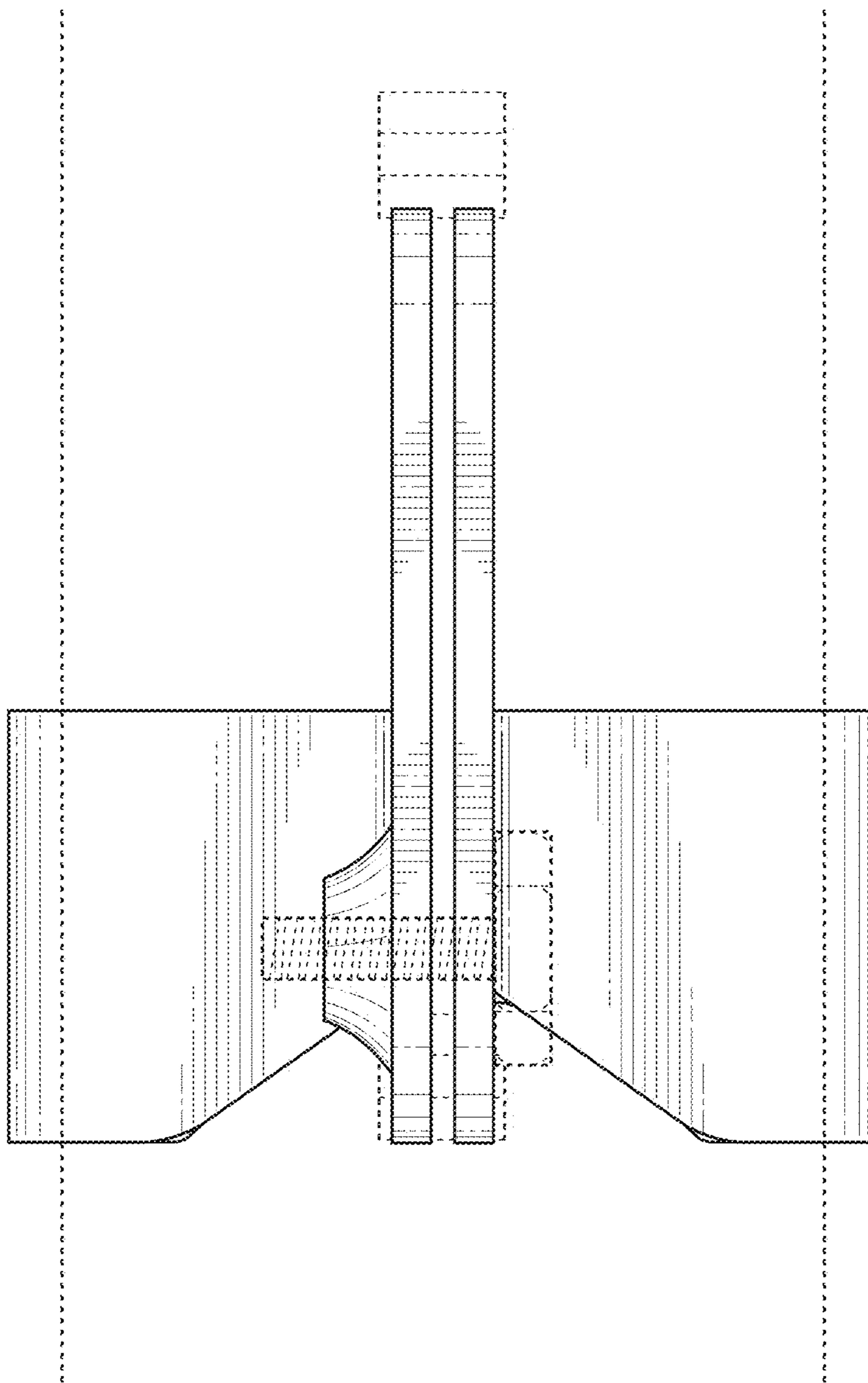


FIG. 5

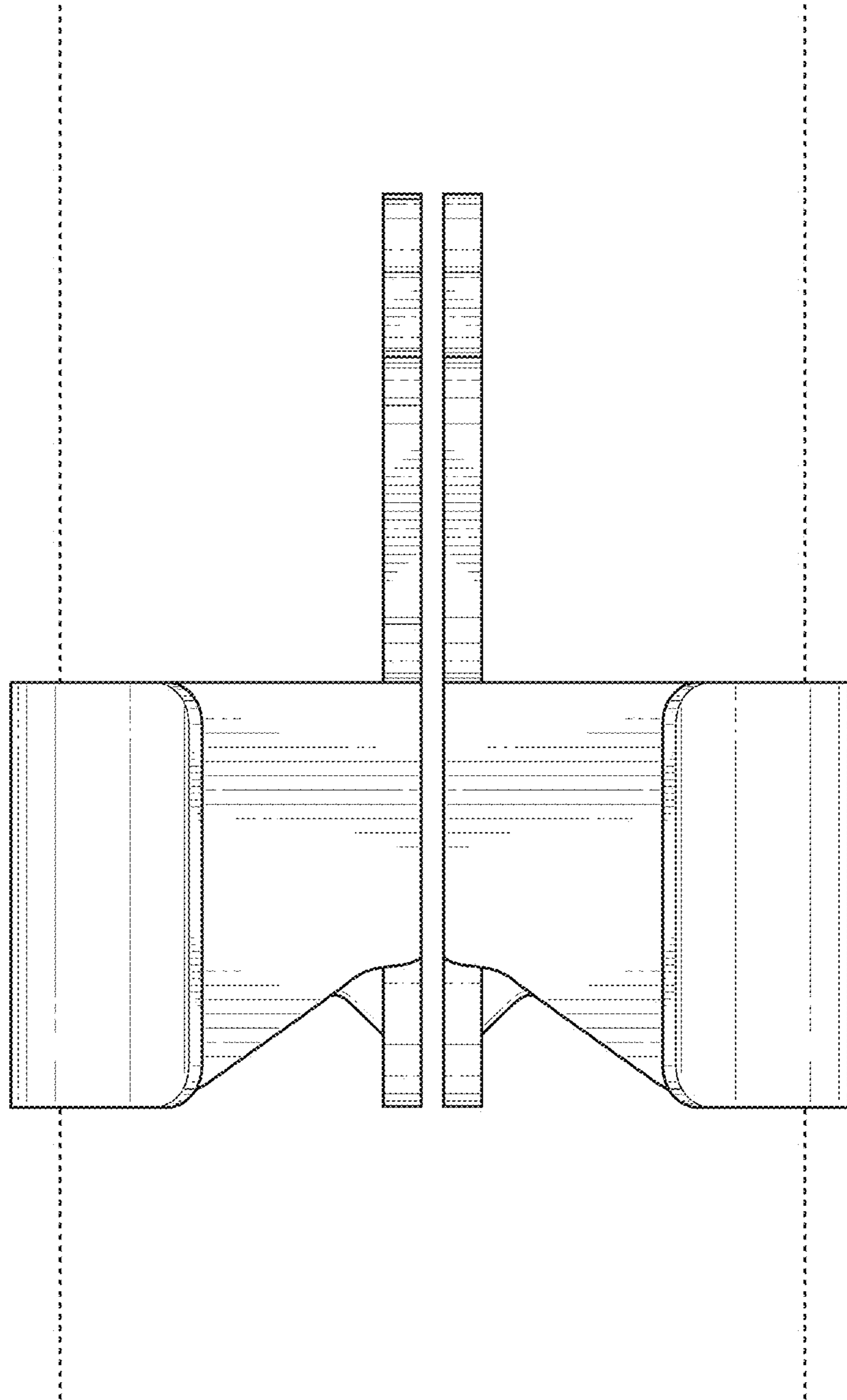


FIG. 6

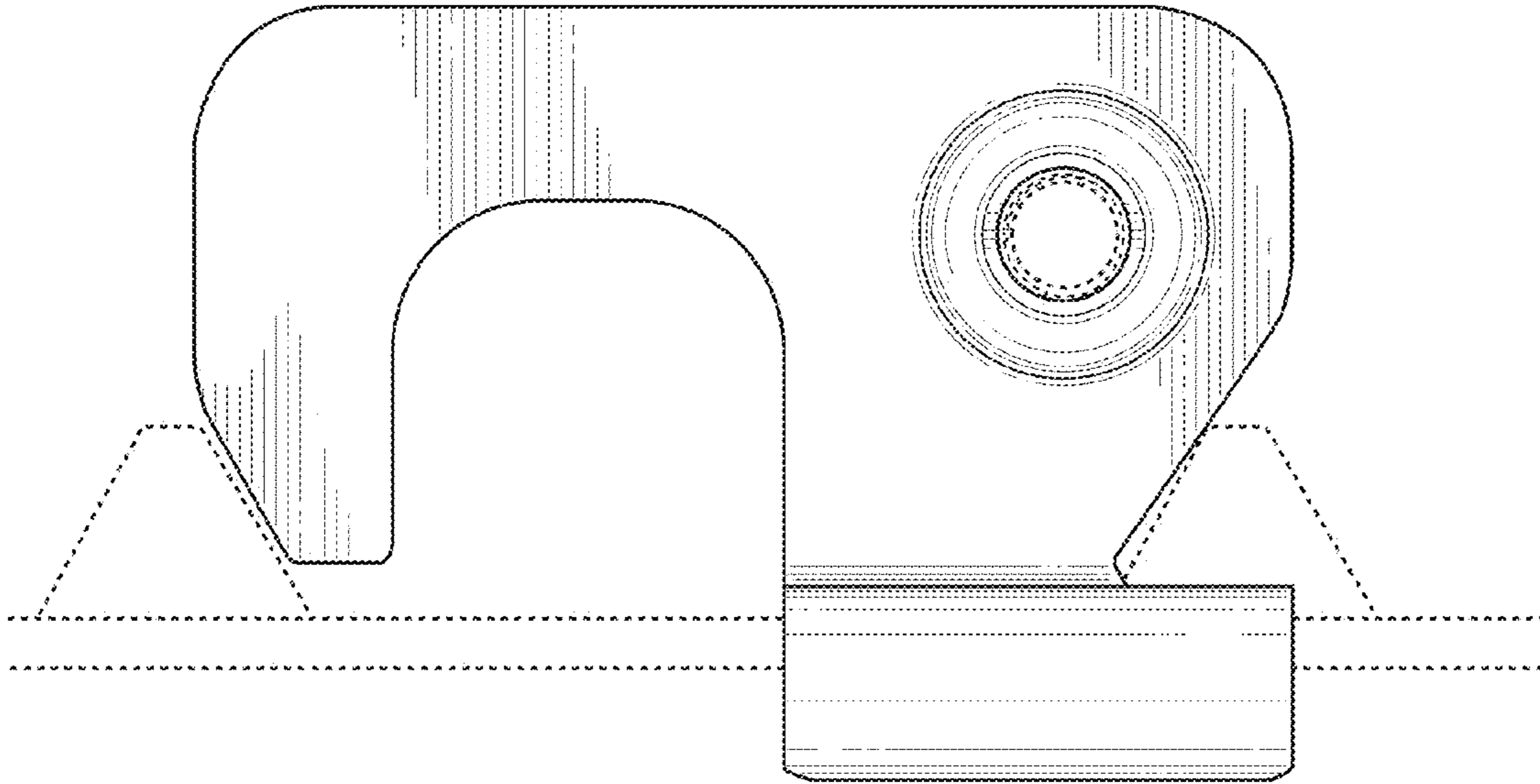


FIG. 7

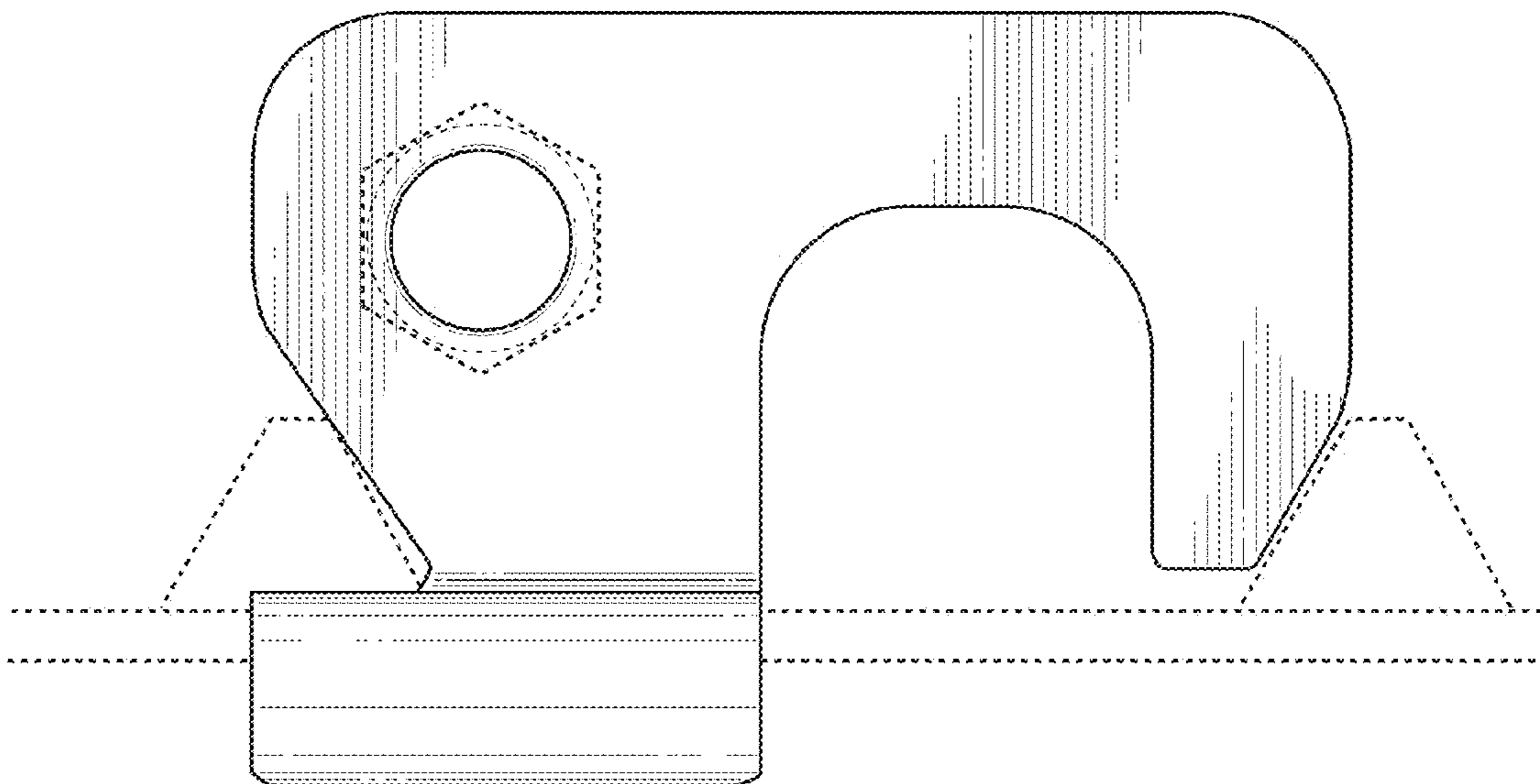


FIG. 8

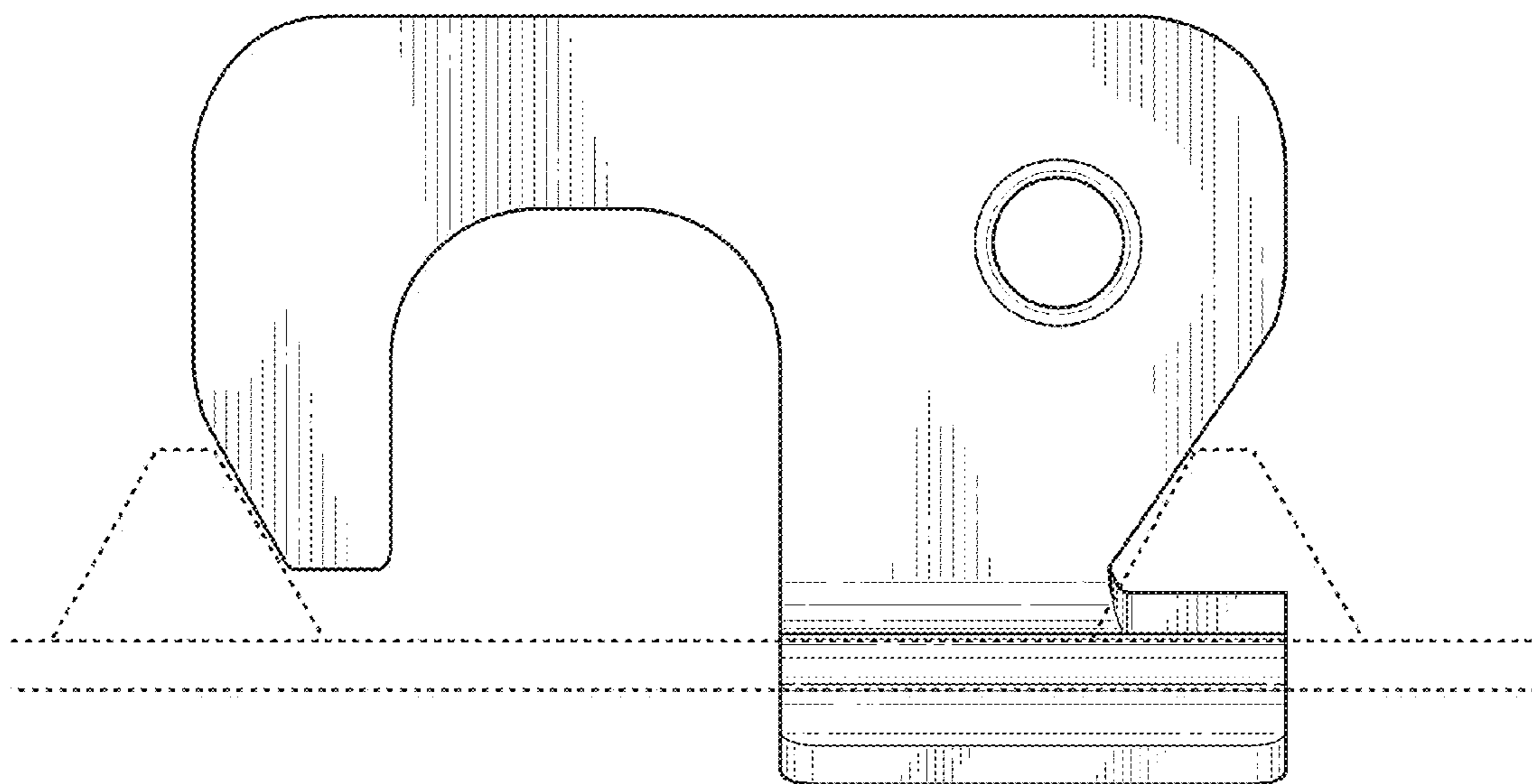


FIG. 9

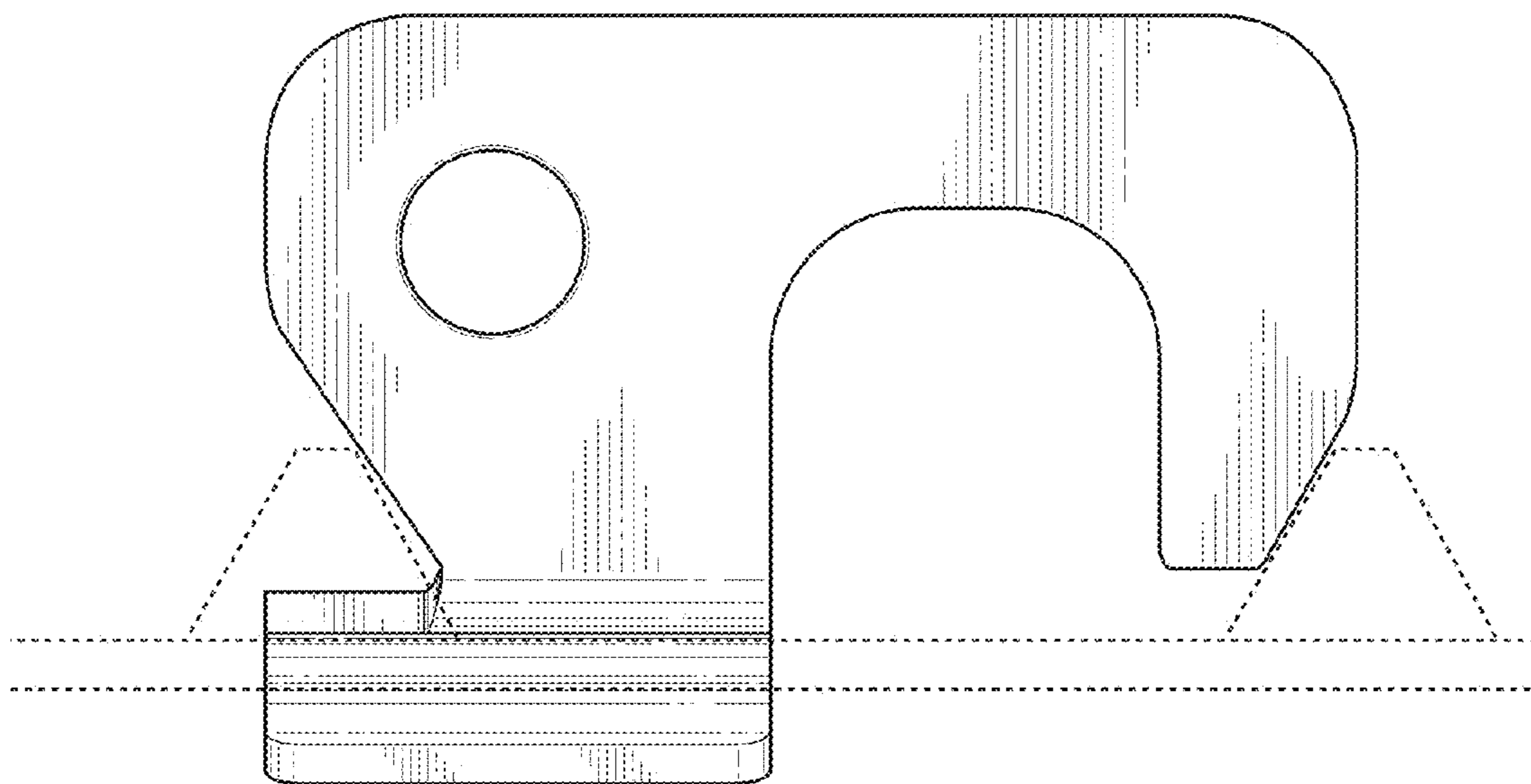


FIG. 10