



US00D735557S

(12) **United States Design Patent**
Leshem

(10) **Patent No.:** **US D735,557 S**

(45) **Date of Patent:** **** Aug. 4, 2015**

(54) **DETACHABLE SUCTION CUP**

(71) Applicant: **Adoram Leshem**, Tel Aviv (IL)

(72) Inventor: **Adoram Leshem**, Tel Aviv (IL)

(**) Term: **14 Years**

(21) Appl. No.: **29/454,007**

(22) Filed: **May 6, 2013**

(51) **LOC (10) Cl.** **08-05**

(52) **U.S. Cl.**
USPC **D8/354**

(58) **Field of Classification Search**
USPC D8/354
CPC A45D 42/14; F16B 47/00
See application file for complete search history.

(56) **References Cited**

U.S. PATENT DOCUMENTS

4,863,129 A * 9/1989 Adams 248/206.2
5,029,786 A * 7/1991 Wu 248/205.7
5,592,244 A * 1/1997 Vyhmeister 351/158

5,595,364 A * 1/1997 Protz, Jr. 248/205.5
6,234,435 B1 * 5/2001 Yeh 248/205.5
6,530,661 B1 * 3/2003 Vorhis 351/158
7,837,162 B2 * 11/2010 Adams 248/205.5
8,302,920 B2 * 11/2012 Tsai 248/206.3
8,333,353 B1 * 12/2012 Silverman et al. 248/205.6

* cited by examiner

Primary Examiner — Holly Baynham

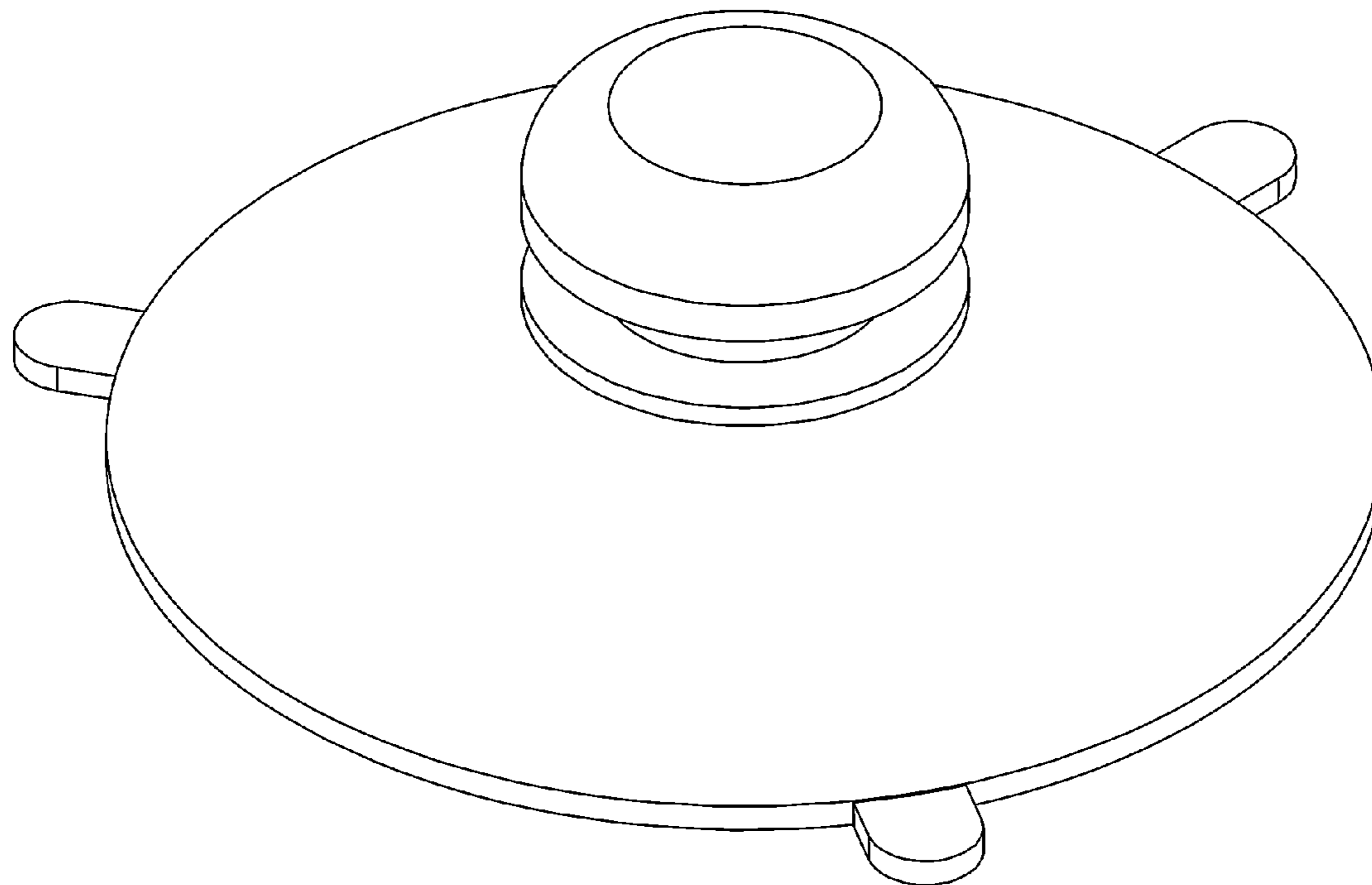
(57) **CLAIM**

The ornamental design for a detachable suction cup, as shown and described.

DESCRIPTION

FIG. 1 is an isometric view of the detachable suction cup; FIG. 2 is a side view of the detachable suction cup; FIG. 3 is a front view of the detachable suction cup; FIG. 4 is a top view of the detachable suction cup; FIG. 5 is a bottom view of the detachable suction cup; and, FIG. 6 is a perspective view of the detachable suction cup.

1 Claim, 6 Drawing Sheets



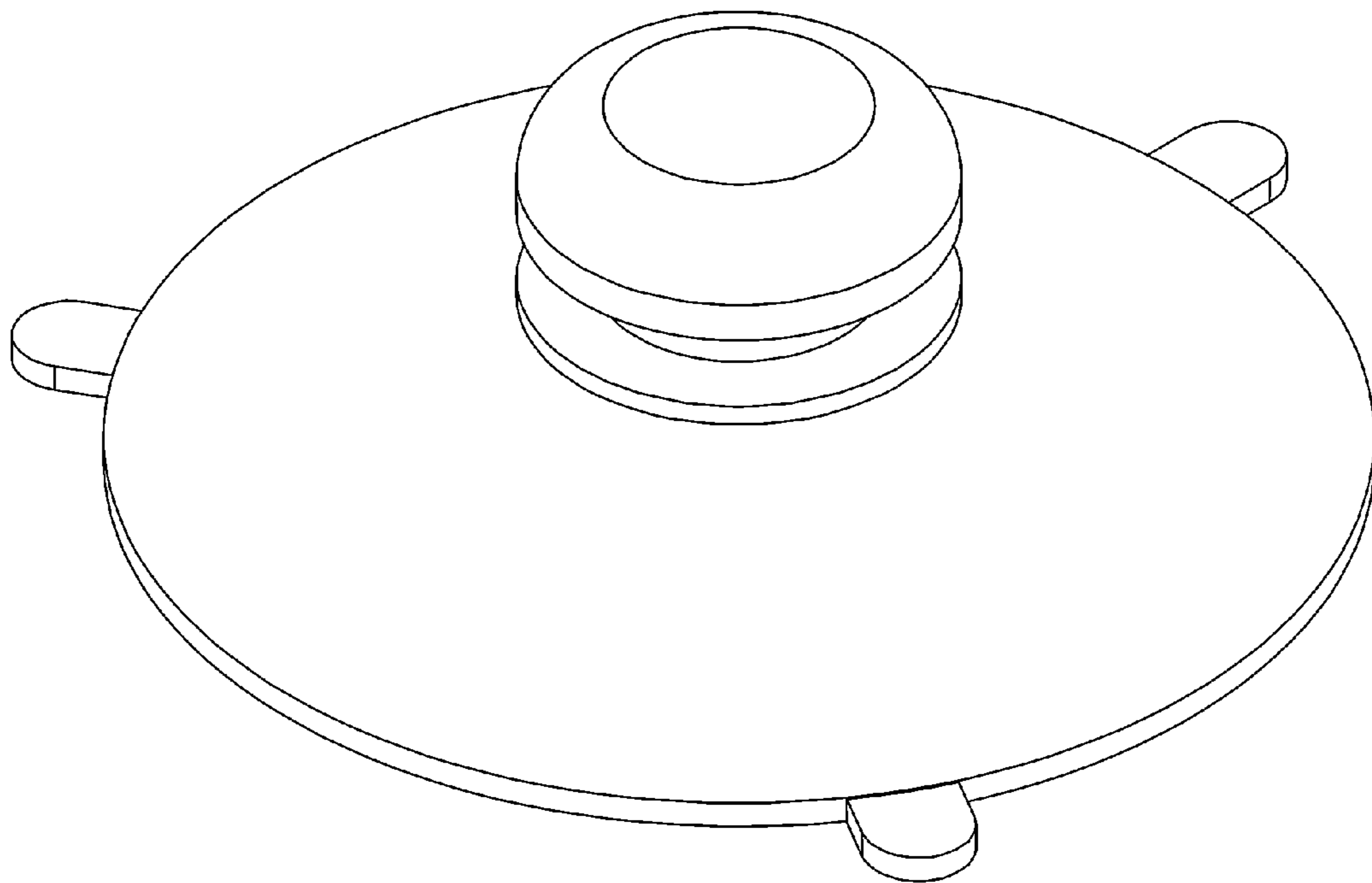


FIG 1

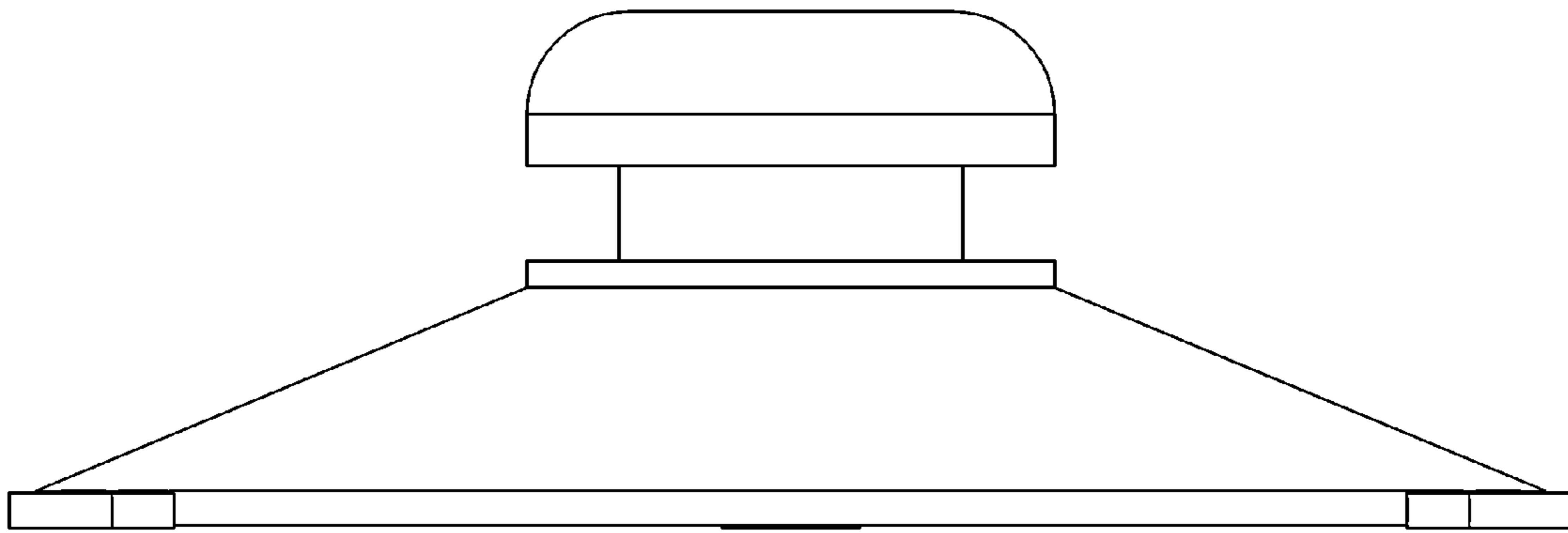


FIG 2

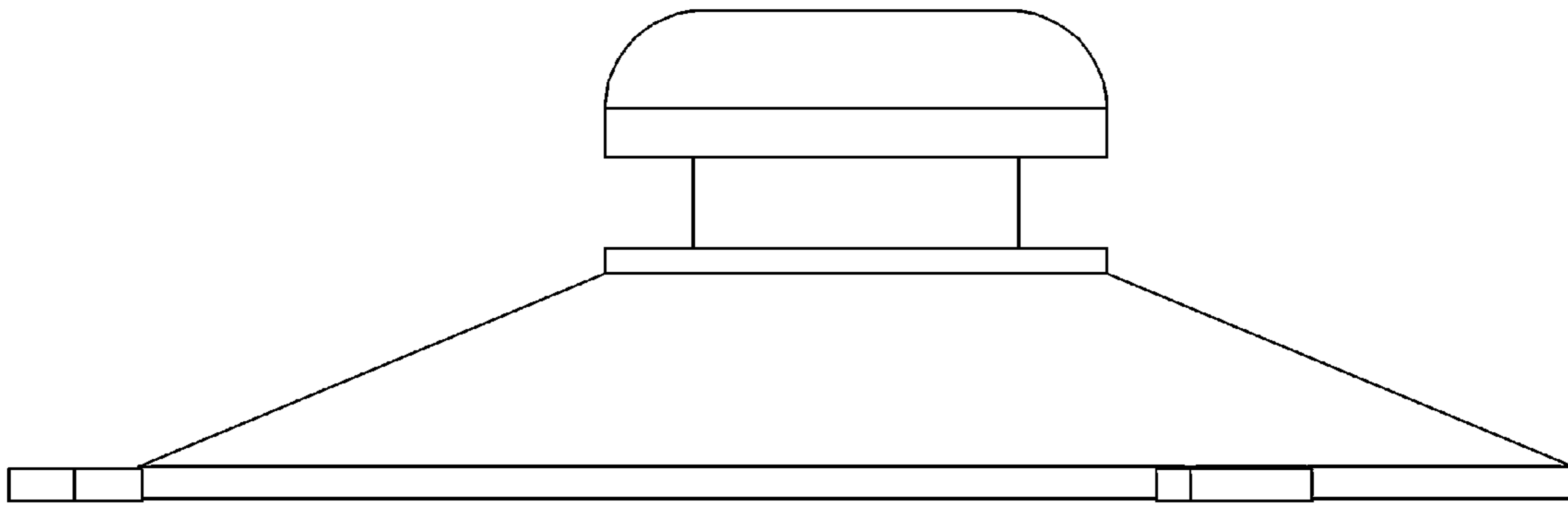


FIG 3

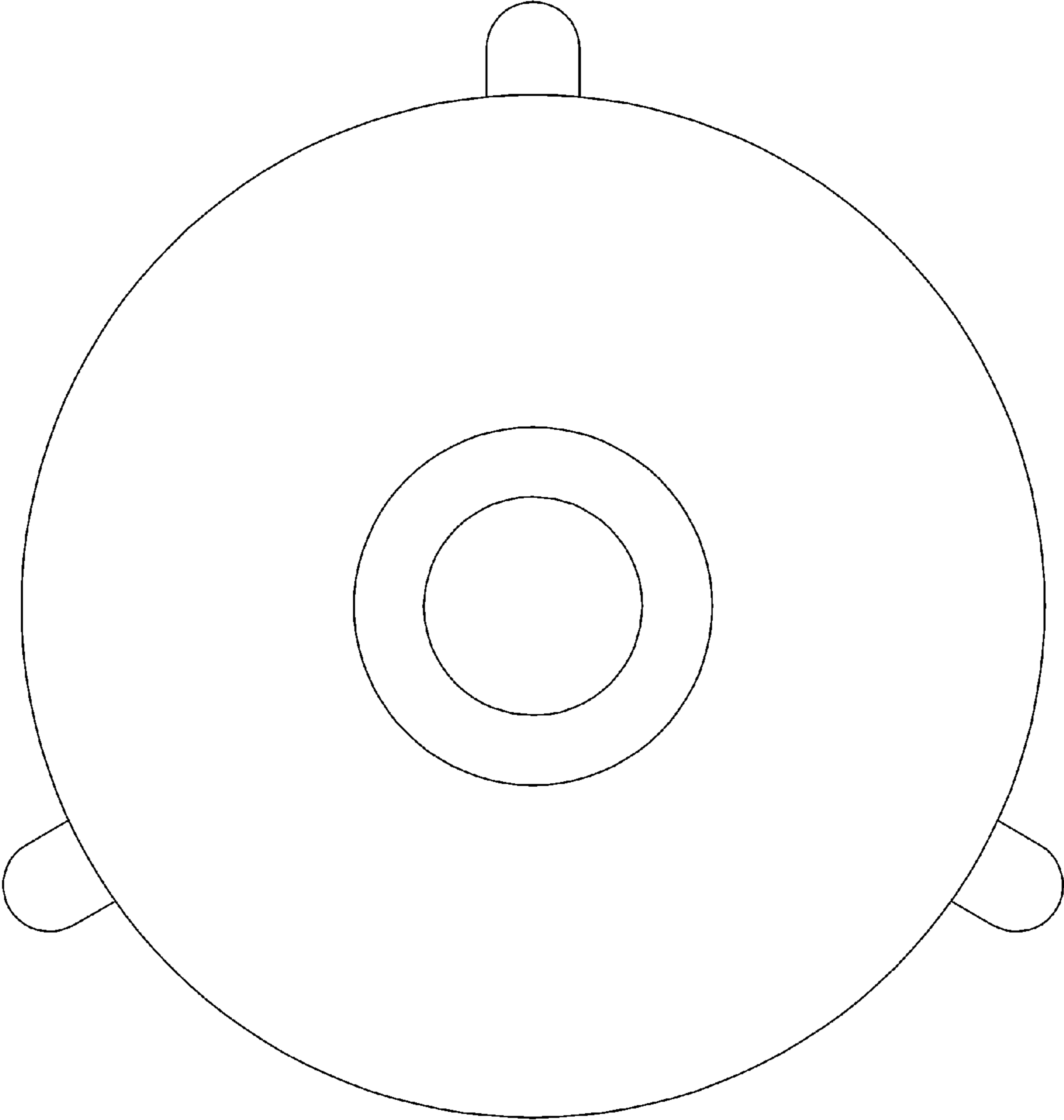


FIG 4

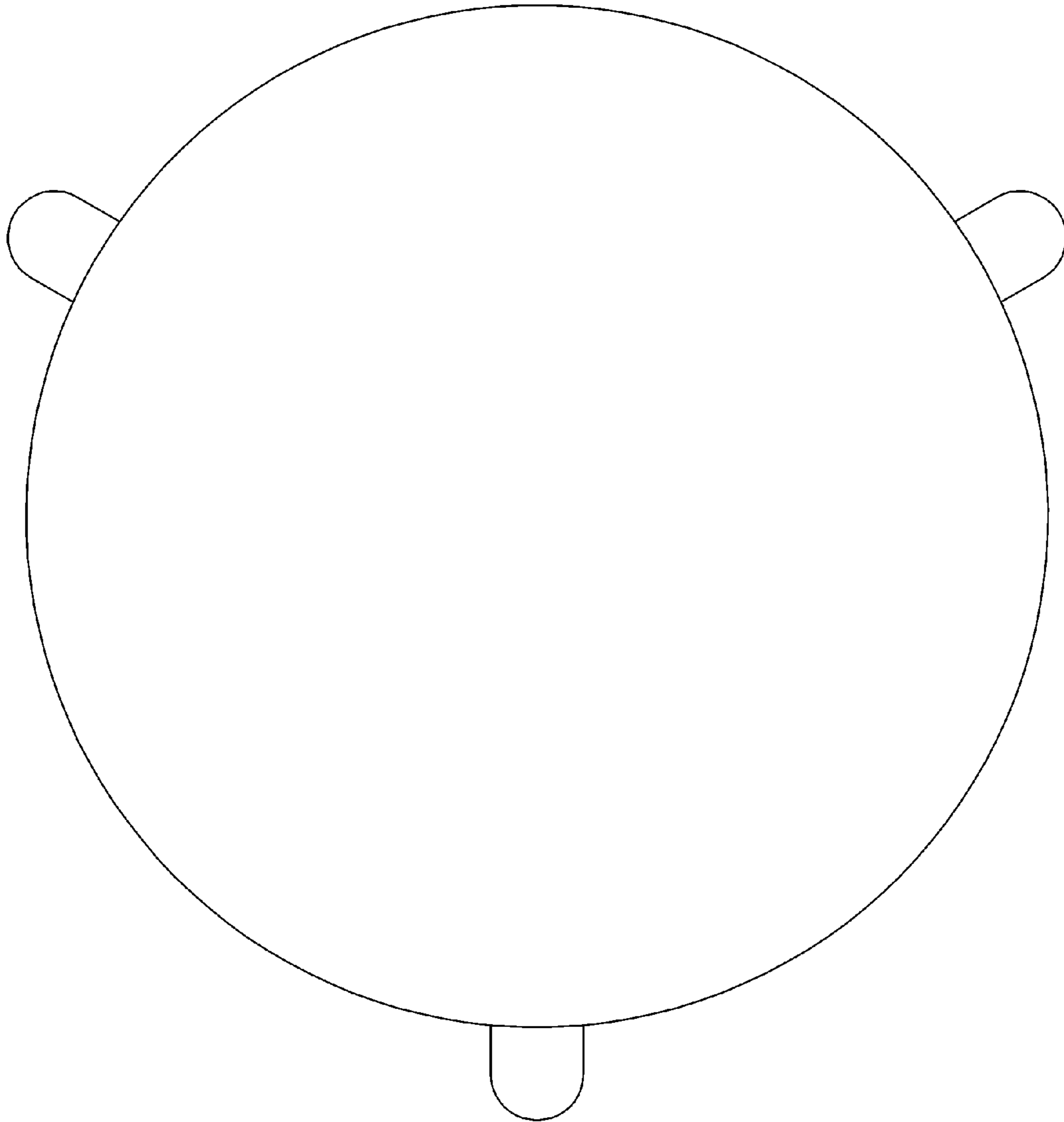


FIG 5

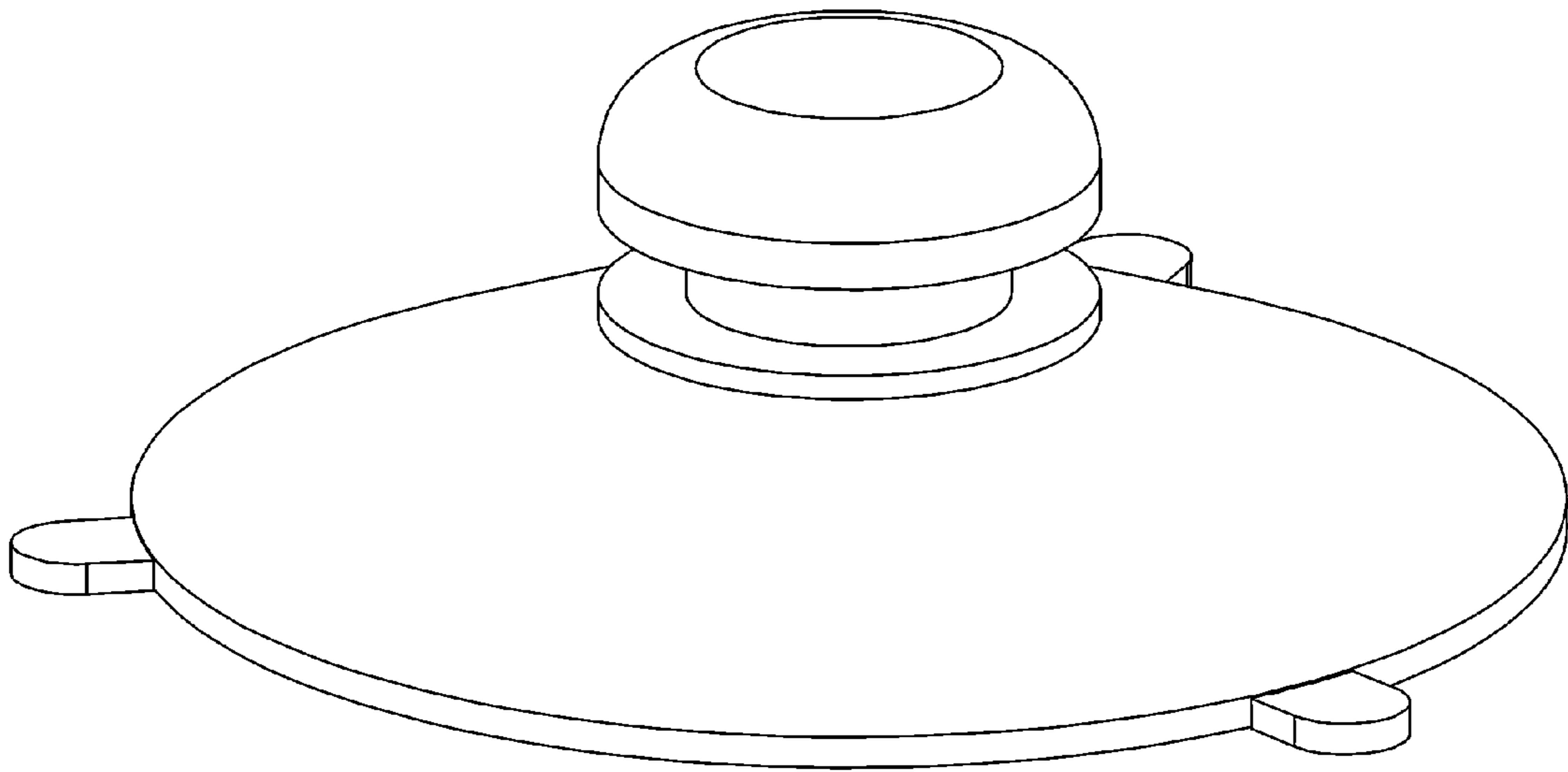


FIG 6