



US00D73555S

(12) **United States Design Patent**
Tajdus

(10) **Patent No.:** **US D735,555 S**

(45) **Date of Patent:** **** Aug. 4, 2015**

(54) **DOOR BRACKET**

(76) Inventor: **Paul Tajdus**, Dillon, CO (US)

(**) Term: **14 Years**

(21) Appl. No.: **29/417,861**

(22) Filed: **Apr. 10, 2012**

(51) **LOC (10) Cl.** **08-05**

(52) **U.S. Cl.**
USPC **D8/354**

(58) **Field of Classification Search**
USPC D8/330, 349, 350, 352, 354, 355, 356,
D8/363, 367, 382, 383; 248/58, 62, 72,
248/200, 201, 205.1, 207, 214, 229, 300;
73/493, 627, 628, 632, 649; D12/415;
D13/173; D14/238, 453
See application file for complete search history.

(56) **References Cited**

U.S. PATENT DOCUMENTS

1,630,036	A *	5/1927	Smith	280/796
2,011,662	A *	8/1935	Thompson	4/558
4,737,048	A *	4/1988	Herrstrom	403/229
5,452,871	A *	9/1995	Sauber	248/74.1
D368,647	S *	4/1996	Koebbe	D8/355
D395,816	S *	7/1998	Colodny	D8/356
5,846,016	A	12/1998	Martinez et al.	
D408,716	S *	4/1999	Vesledahl	D8/354
D409,896	S *	5/1999	Kaplan	D8/356
5,988,578	A *	11/1999	Davies	248/237
6,142,438	A *	11/2000	Cooper et al.	248/250
D435,435	S *	12/2000	Shea	D8/363
D471,291	S *	3/2003	Ammons	D25/131
D521,852	S *	5/2006	Hall et al.	D8/354
D534,905	S *	1/2007	Sergi	D14/238
D535,985	S *	1/2007	Sergi	D14/238
D552,947	S *	10/2007	Ewasiuk	D8/5
D567,635	S *	4/2008	Nankervis	D8/354

D586,523	S *	2/2009	Burns	D34/27
7,665,504	B2 *	2/2010	Schulze	160/201
D638,108	S *	5/2011	Cummings et al.	D23/303

OTHER PUBLICATIONS

Surestand Photograph of prior art door stand with U.S. Pat. No. 5,846,016 included on the door stand.

* cited by examiner

Primary Examiner — Eric Goodman

Assistant Examiner — Bao-Yen Nguyen

(74) *Attorney, Agent, or Firm* — Oppedahl Patent Law Firm LLC

(57) **CLAIM**

The ornamental design for a door bracket, as shown and described.

DESCRIPTION

FIG. 1 is a top perspective view of my new design for a door bracket;

FIG. 2 is a top plan view thereof;

FIG. 3 is a bottom plan view thereof;

FIG. 4 is a left side elevation view, the right side being a mirror image and;

FIG. 5 is a front side elevation view, the rear side being a mirror image;

FIG. 6 is a top perspective view of my second embodiment;

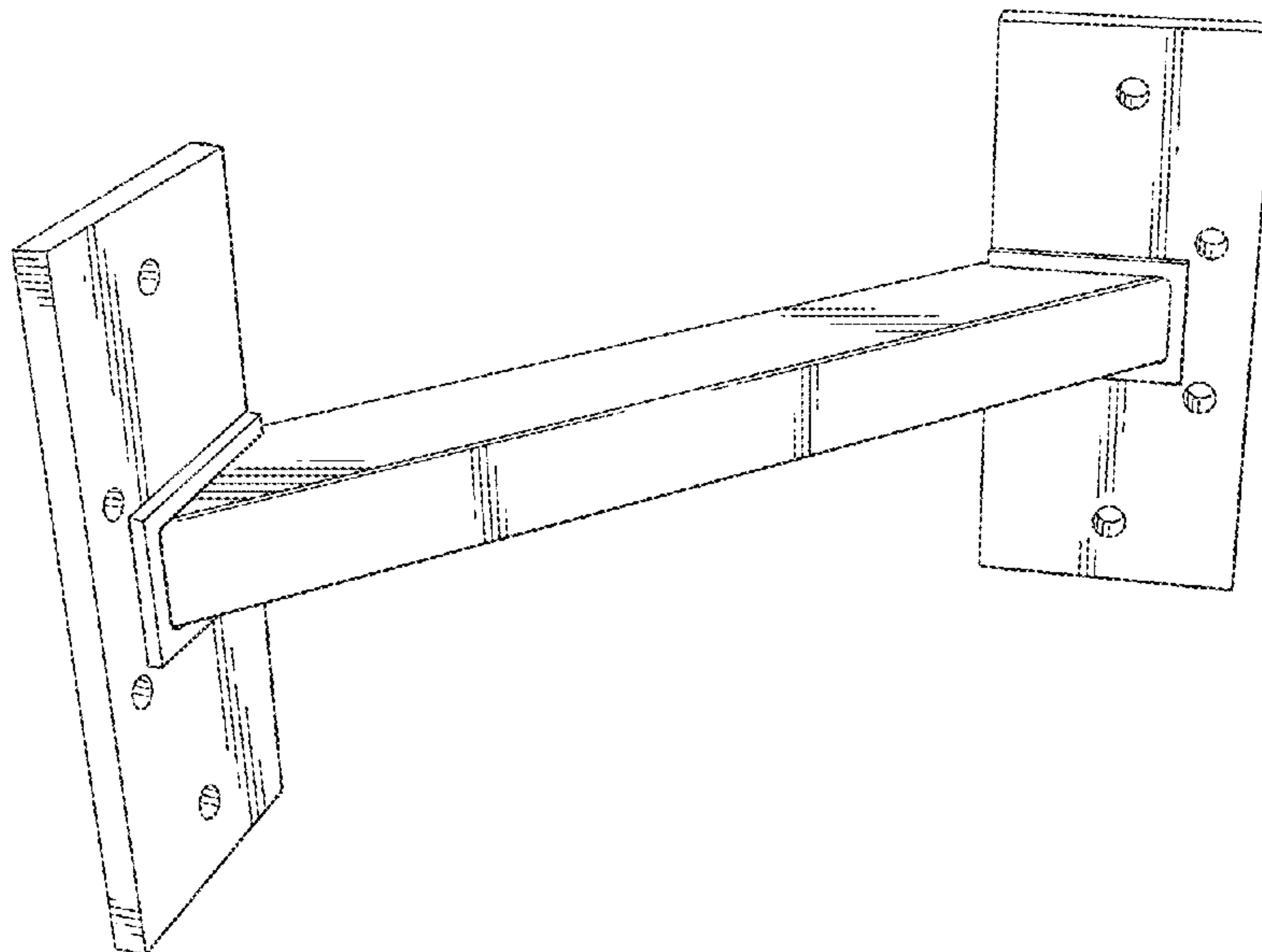
FIG. 7 is a top plan view thereof;

FIG. 8 is a bottom plan view thereof;

FIG. 9 is a left side elevation view, the right side being a mirror image; and,

FIG. 10 is a front side elevation view, the rear side being a mirror image.

1 Claim, 4 Drawing Sheets



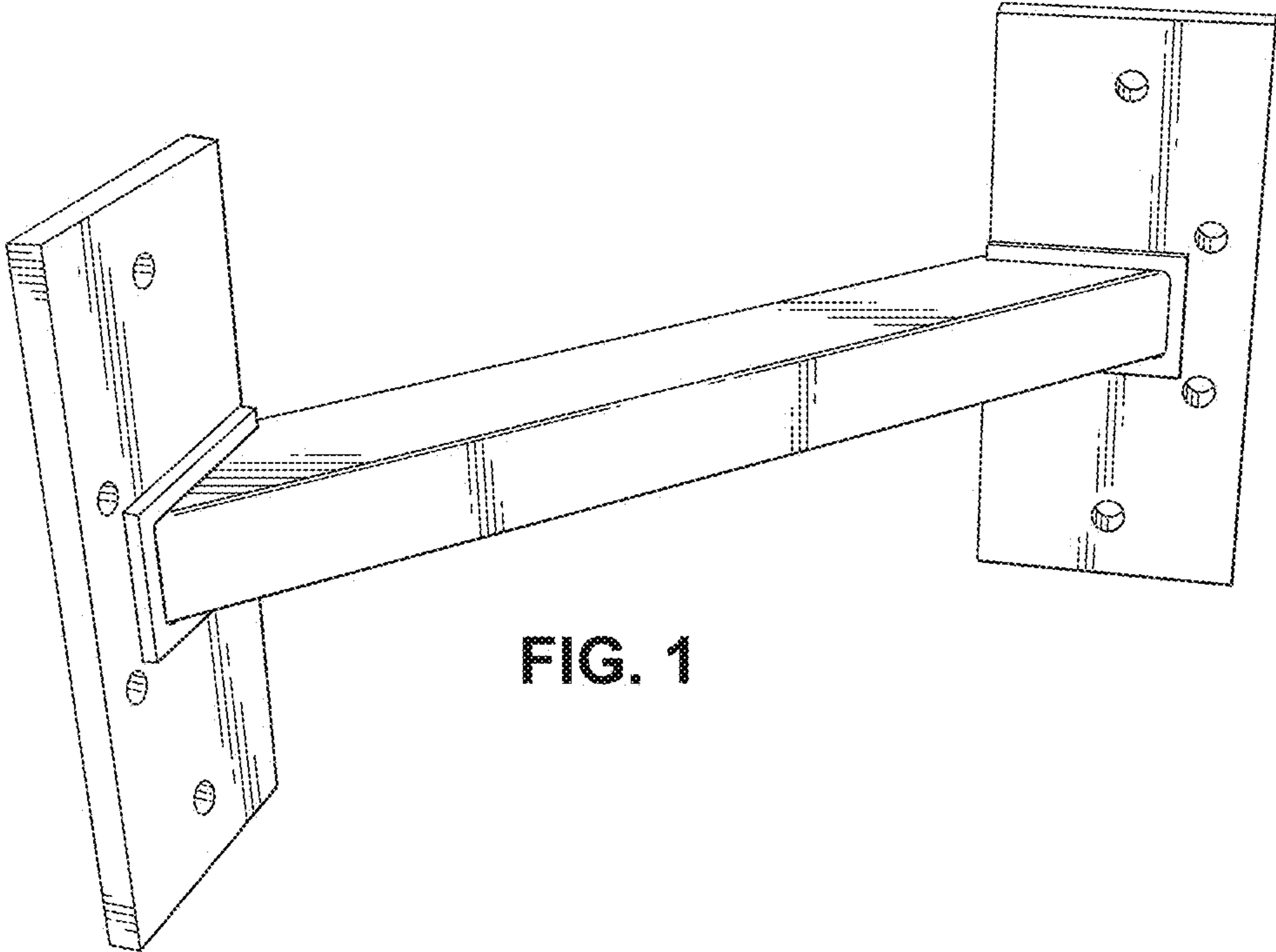
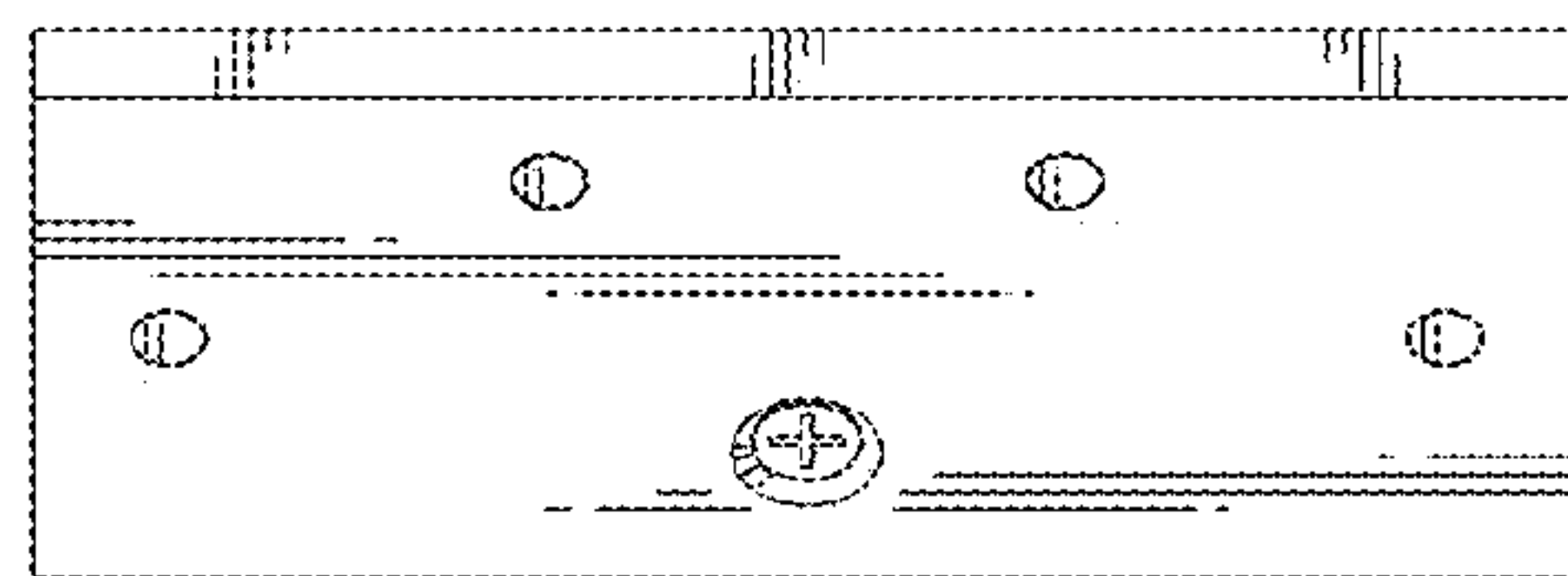
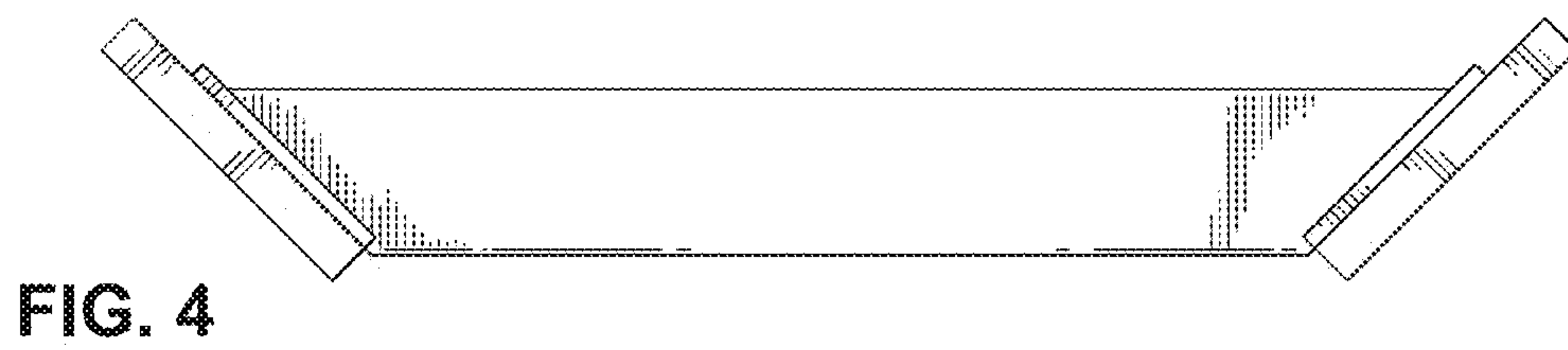
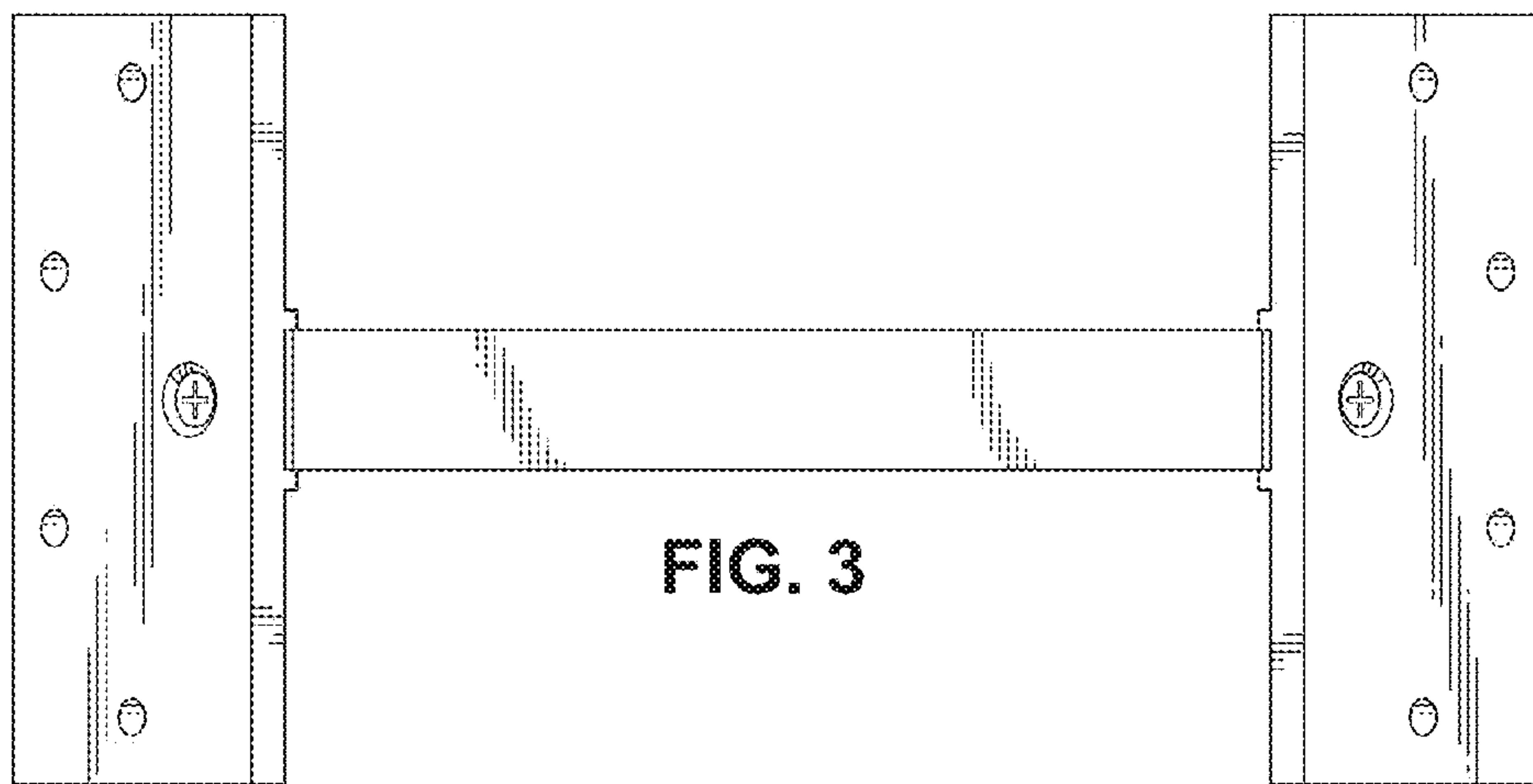
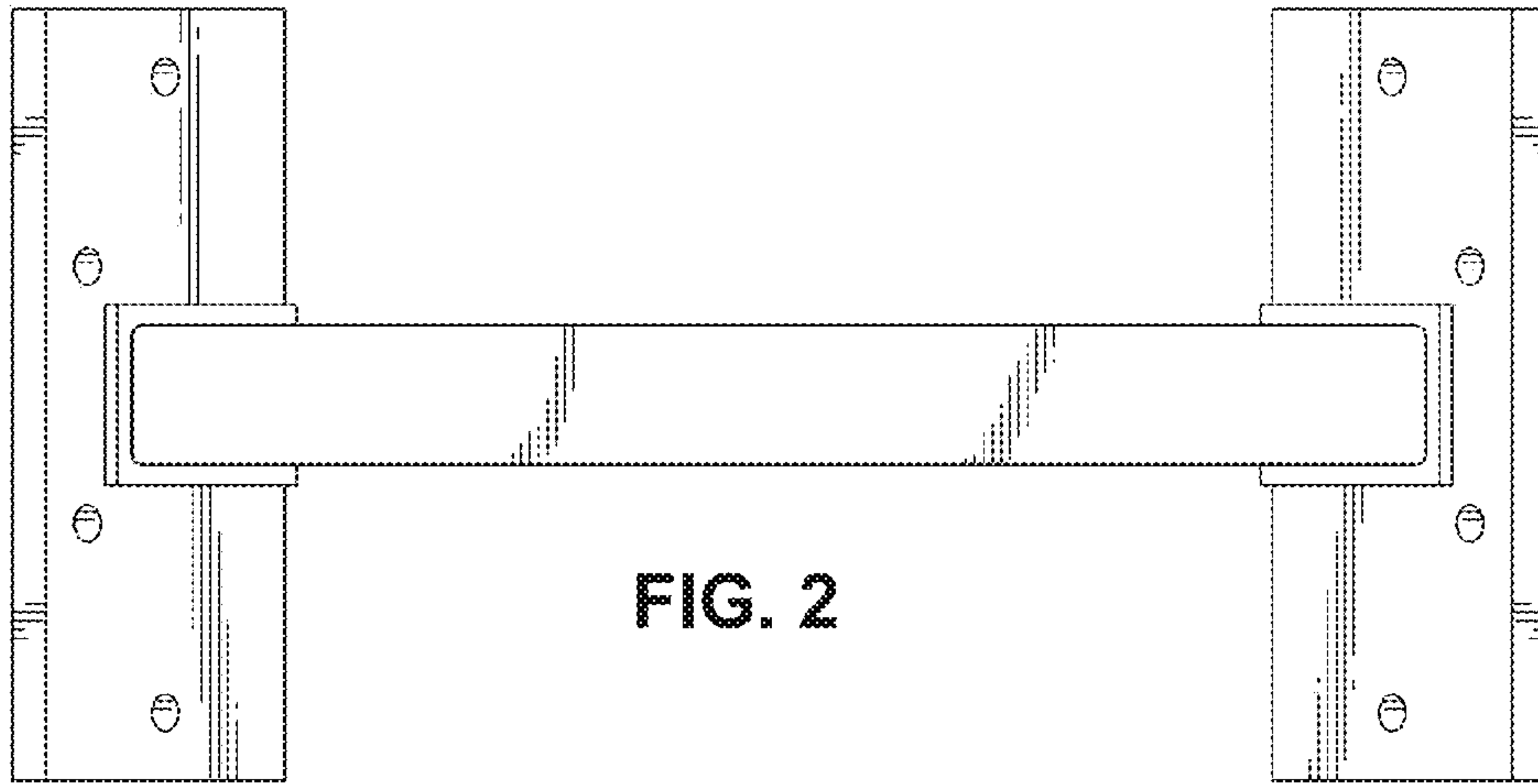


FIG. 1



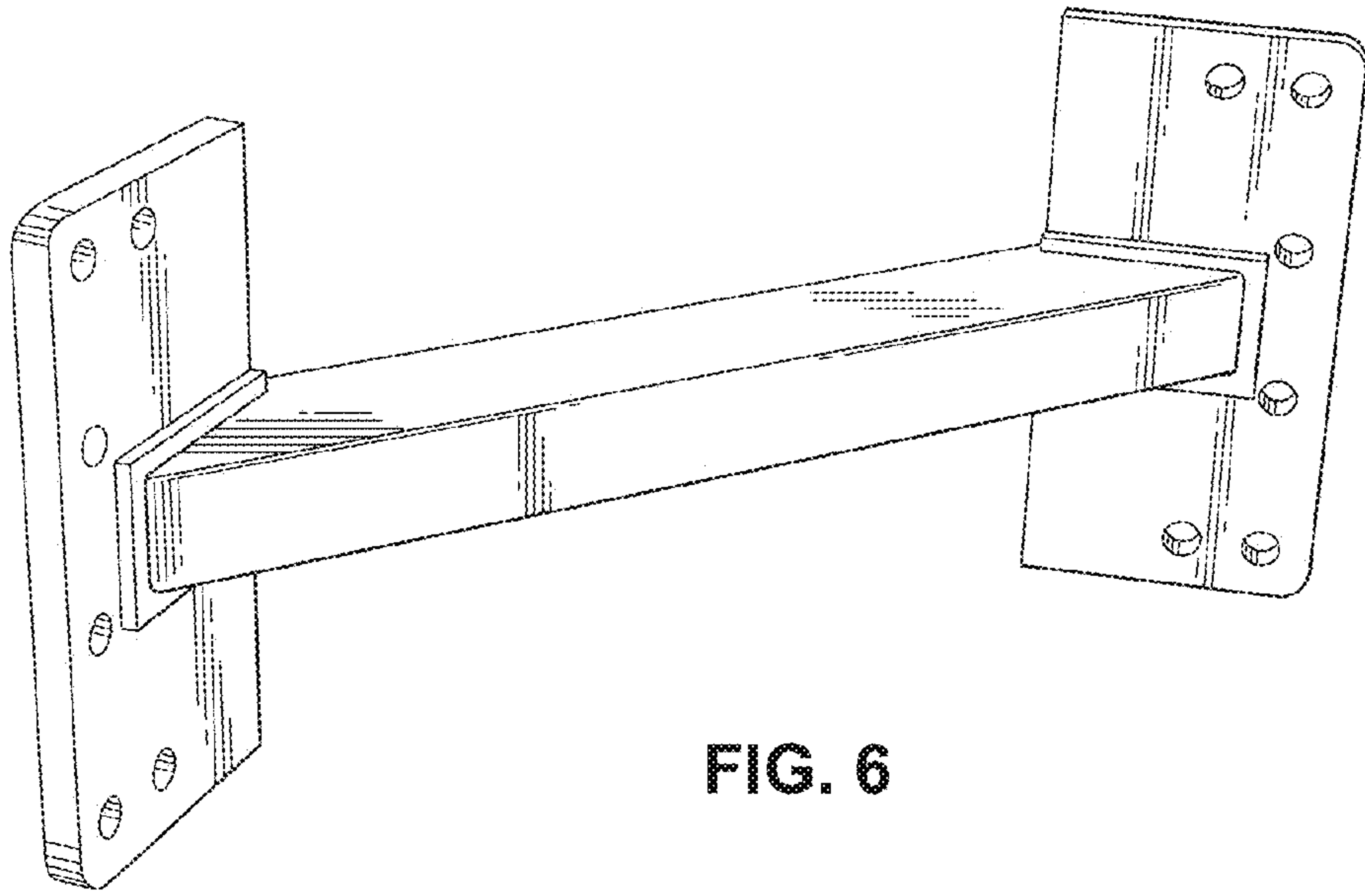


FIG. 6

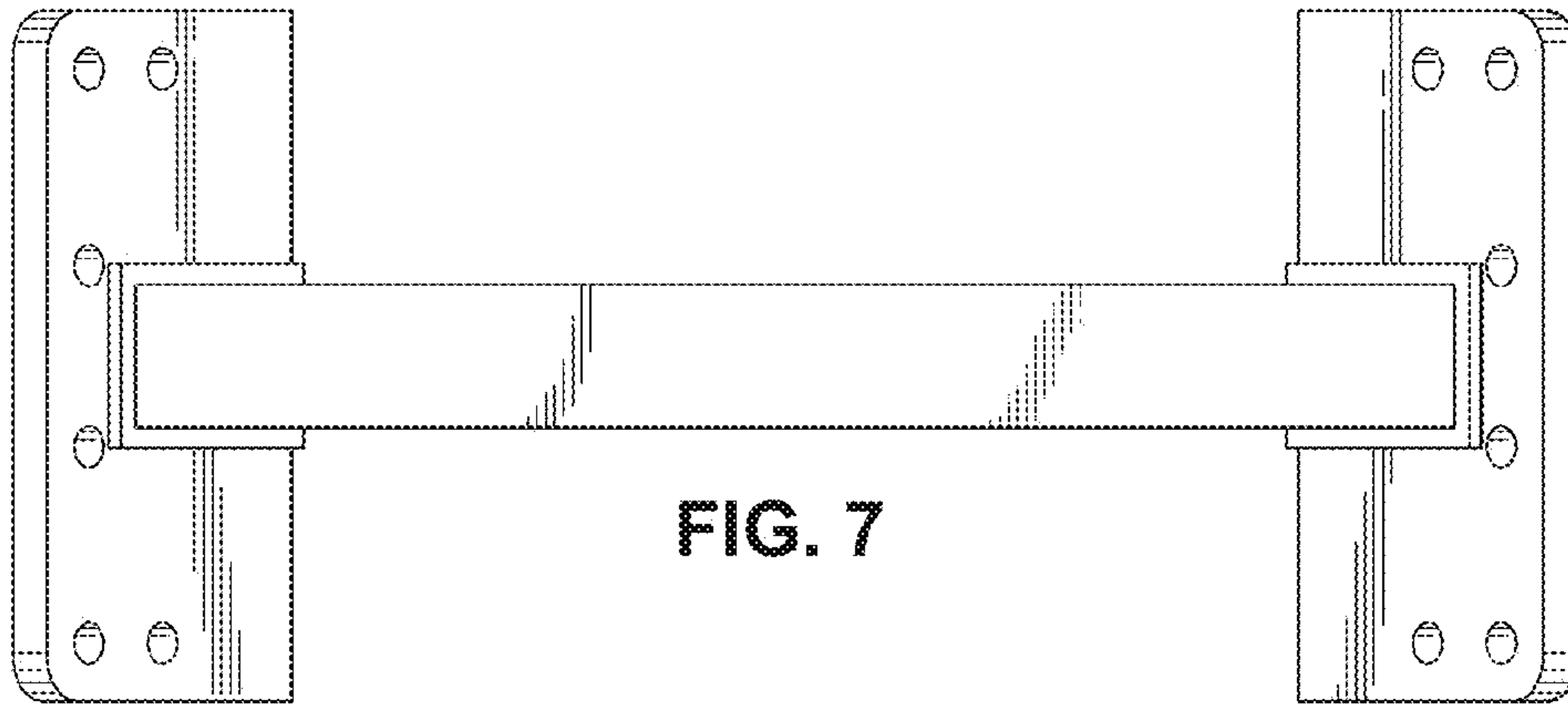


FIG. 7

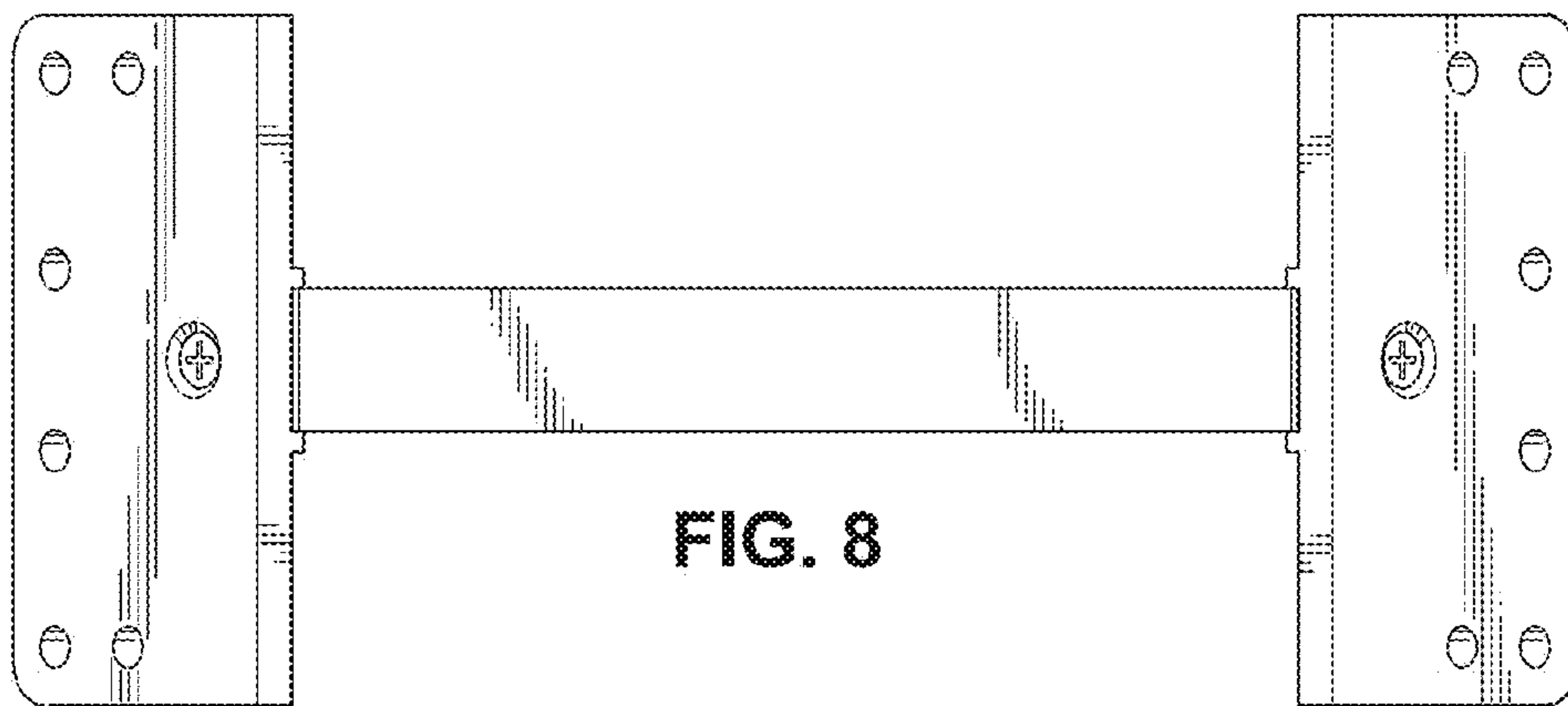


FIG. 8

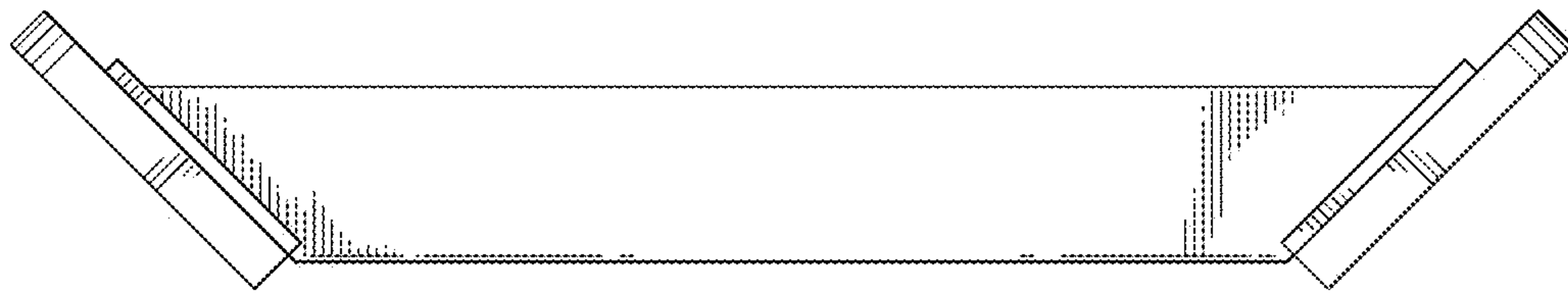


FIG. 9

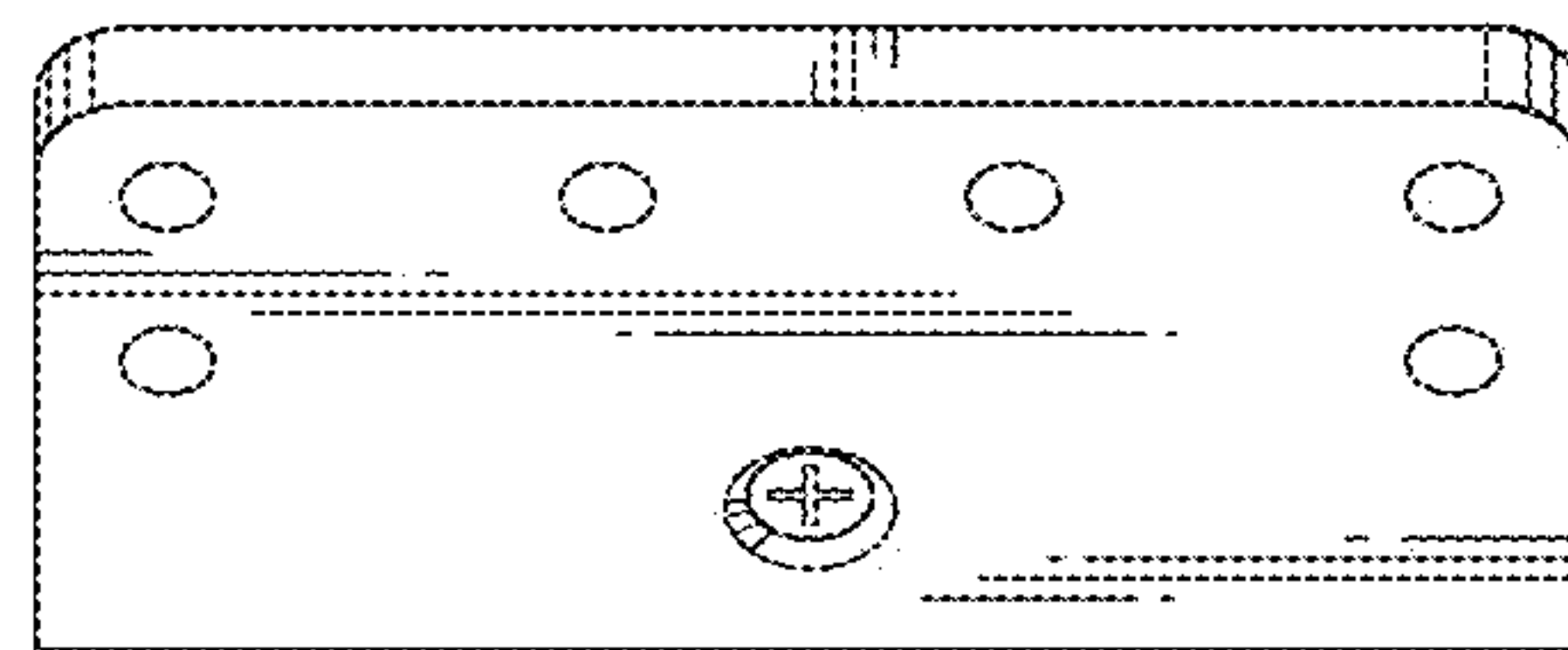


FIG. 10