



US00D73552S

(12) **United States Design Patent**
Hung

(10) **Patent No.:** **US D735,552 S**

(45) **Date of Patent:** **** Aug. 4, 2015**

(54) **CUTTER KNIFE**

(71) Applicant: **SDI Corporation**, Chang-Hua (TW)

(72) Inventor: **Chi-Cheng Hung**, Chang-Hua (TW)

(73) Assignee: **SDI CORPORATION**, Chang Hua (TW)

(**) Term: **14 Years**

(21) Appl. No.: **29/483,797**

(22) Filed: **Mar. 3, 2014**

(30) **Foreign Application Priority Data**

Jan. 23, 2014 (TW) 103300428

(51) **LOC (10) Cl.** **08-03**

(52) **U.S. Cl.**
USPC **D8/99**

(58) **Field of Classification Search**
USPC D8/98, 99, 105, 107
CPC B26B 5/001; B26B 5/003; B26B 11/00;
B26B 1/08
See application file for complete search history.

(56) **References Cited**

U.S. PATENT DOCUMENTS

D399,114 S * 10/1998 Okada D8/99
D459,189 S * 6/2002 Chong D8/99
D499,948 S * 12/2004 Kondo et al. D8/99
D517,894 S * 3/2006 Kondo et al. D8/99

D523,316 S * 6/2006 Kondo et al. D8/99
D553,936 S * 10/2007 Takamasa D8/99
D559,651 S * 1/2008 Takamasa D8/99
D560,462 S * 1/2008 Takamasa D8/98
D562,666 S * 2/2008 Tou D8/99
D567,622 S * 4/2008 Takamasa D8/99
D596,915 S * 7/2009 Garcia et al. D8/99
D602,757 S * 10/2009 Kishida et al. D8/99
D645,720 S * 9/2011 Wu D8/99
D656,381 S * 3/2012 Watanabe D8/99
8,413,339 B2 * 4/2013 Ranieri et al. 30/162
D699,092 S * 2/2014 Wagner D8/99

* cited by examiner

Primary Examiner — Phillip S Hyder

(74) *Attorney, Agent, or Firm* — C. G. Mersereau; Nikolai & Mersereau, P.A.

(57) **CLAIM**

The ornamental design for a cutter knife, as shown.

DESCRIPTION

FIG. 1 is a perspective view of a cutter knife showing my new design;

FIG. 2 is a front view thereof;

FIG. 3 is a rear view thereof;

FIG. 4 is a left view thereof;

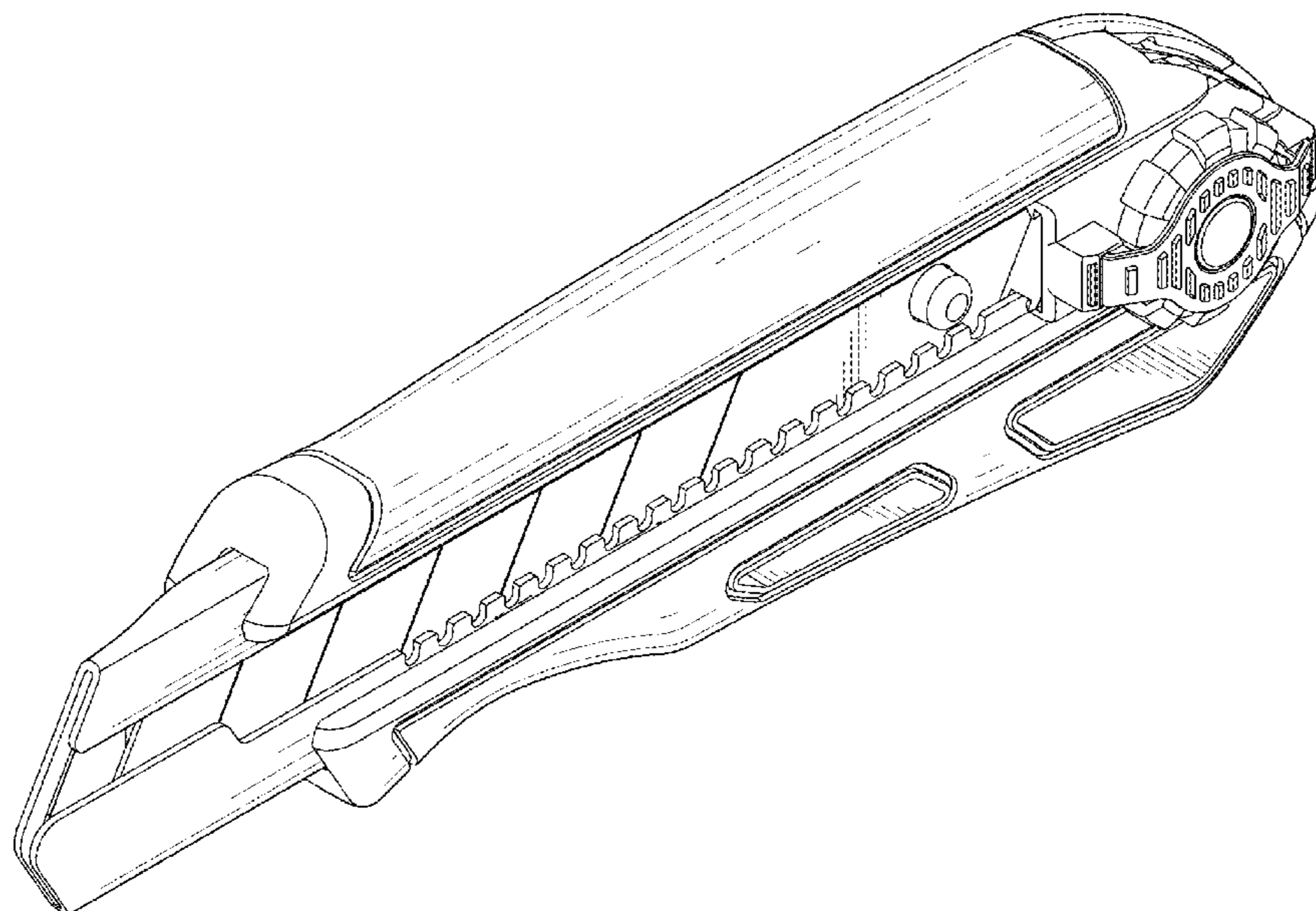
FIG. 5 is a right view thereof;

FIG. 6 is a top view thereof;

FIG. 7 is a bottom view thereof; and,

FIG. 8 is another perspective view thereof.

1 Claim, 6 Drawing Sheets



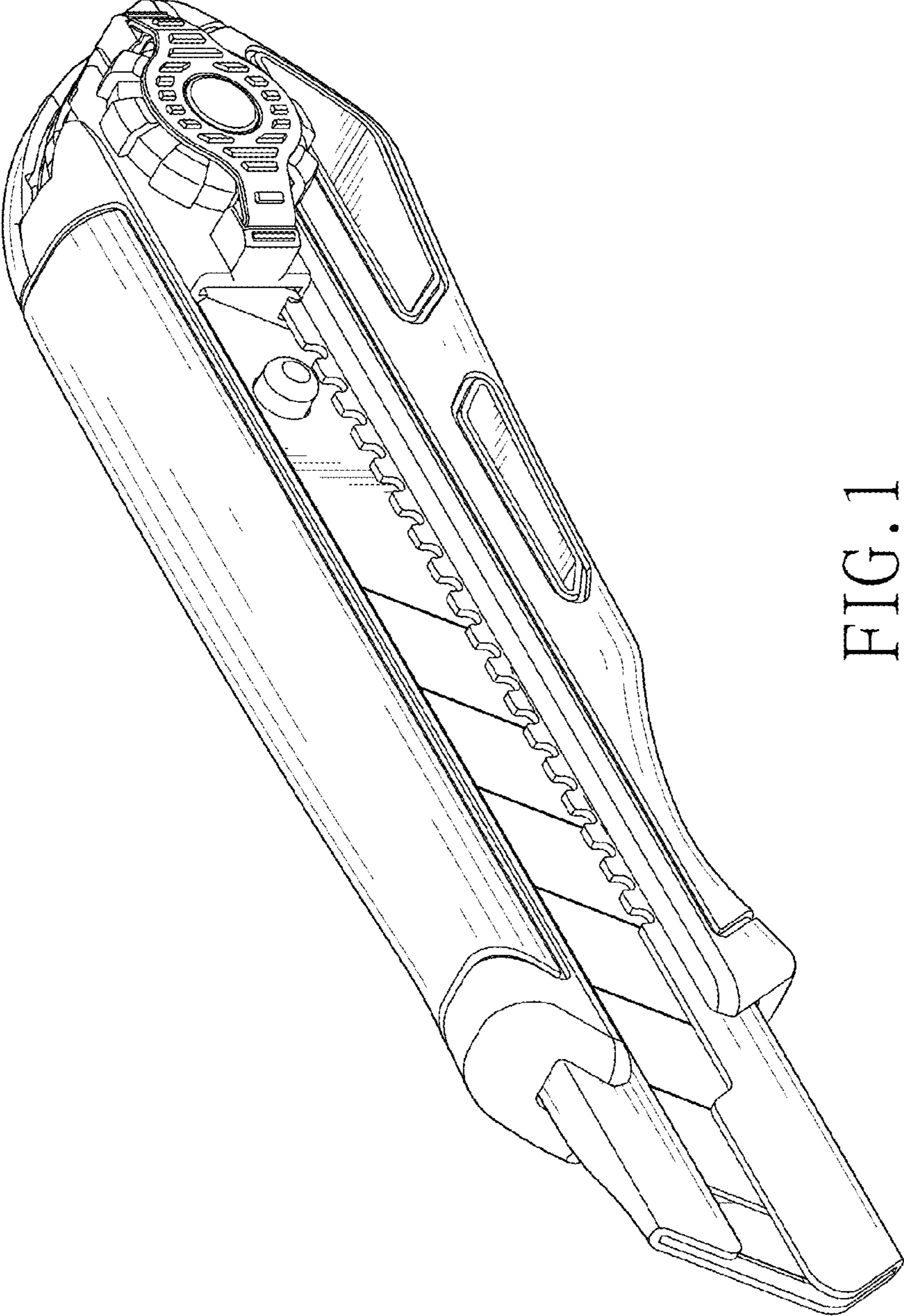


FIG. 1

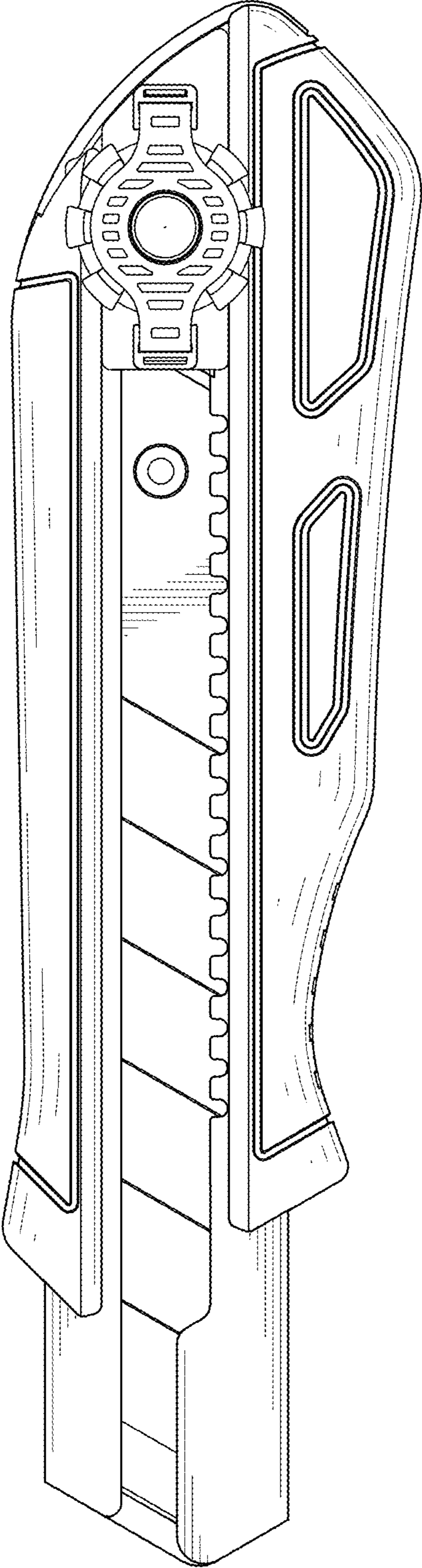


FIG. 2

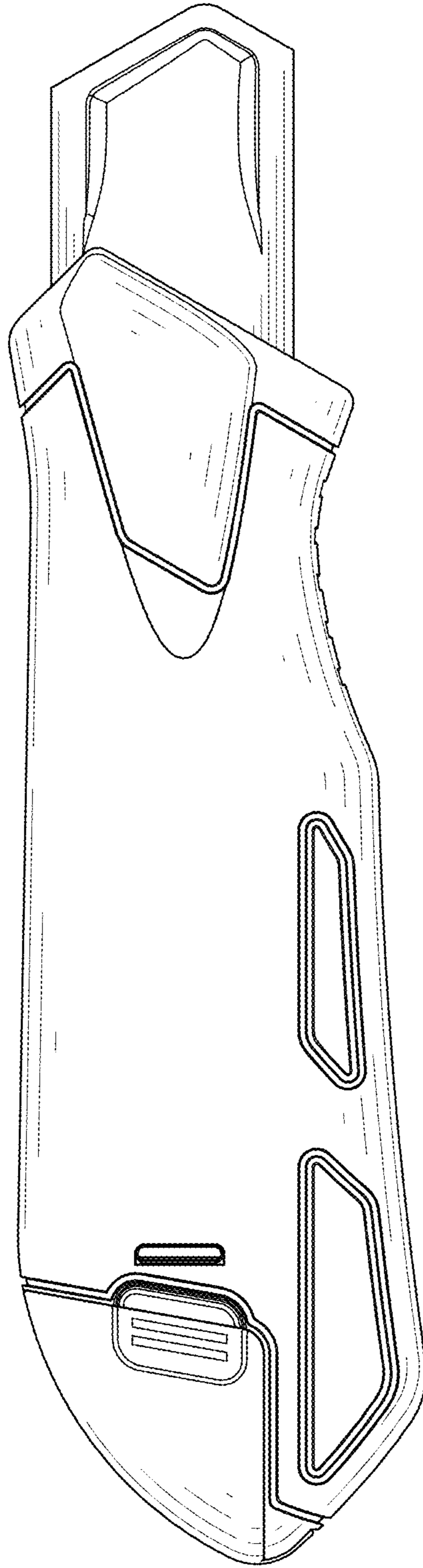


FIG. 3

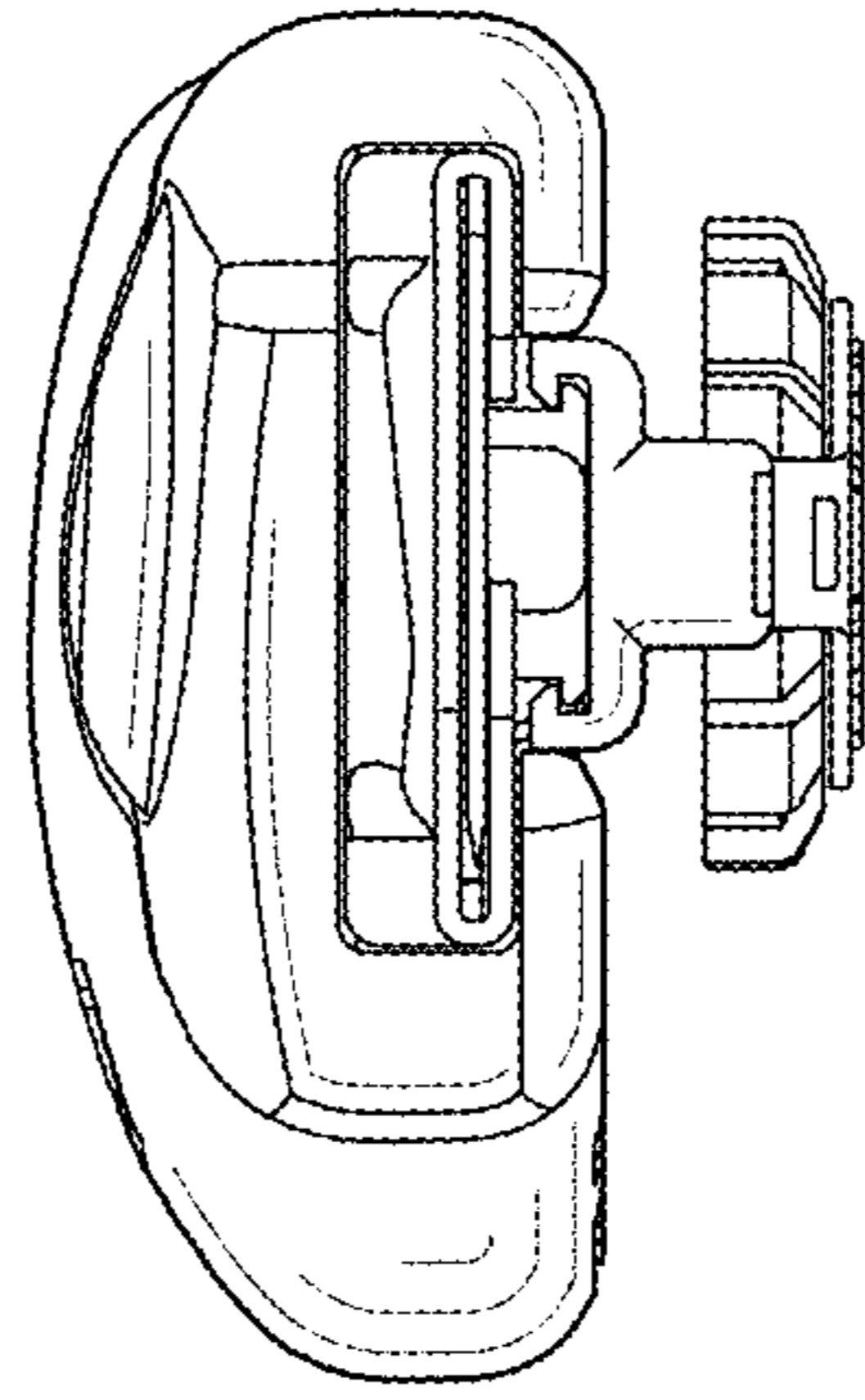


FIG. 4

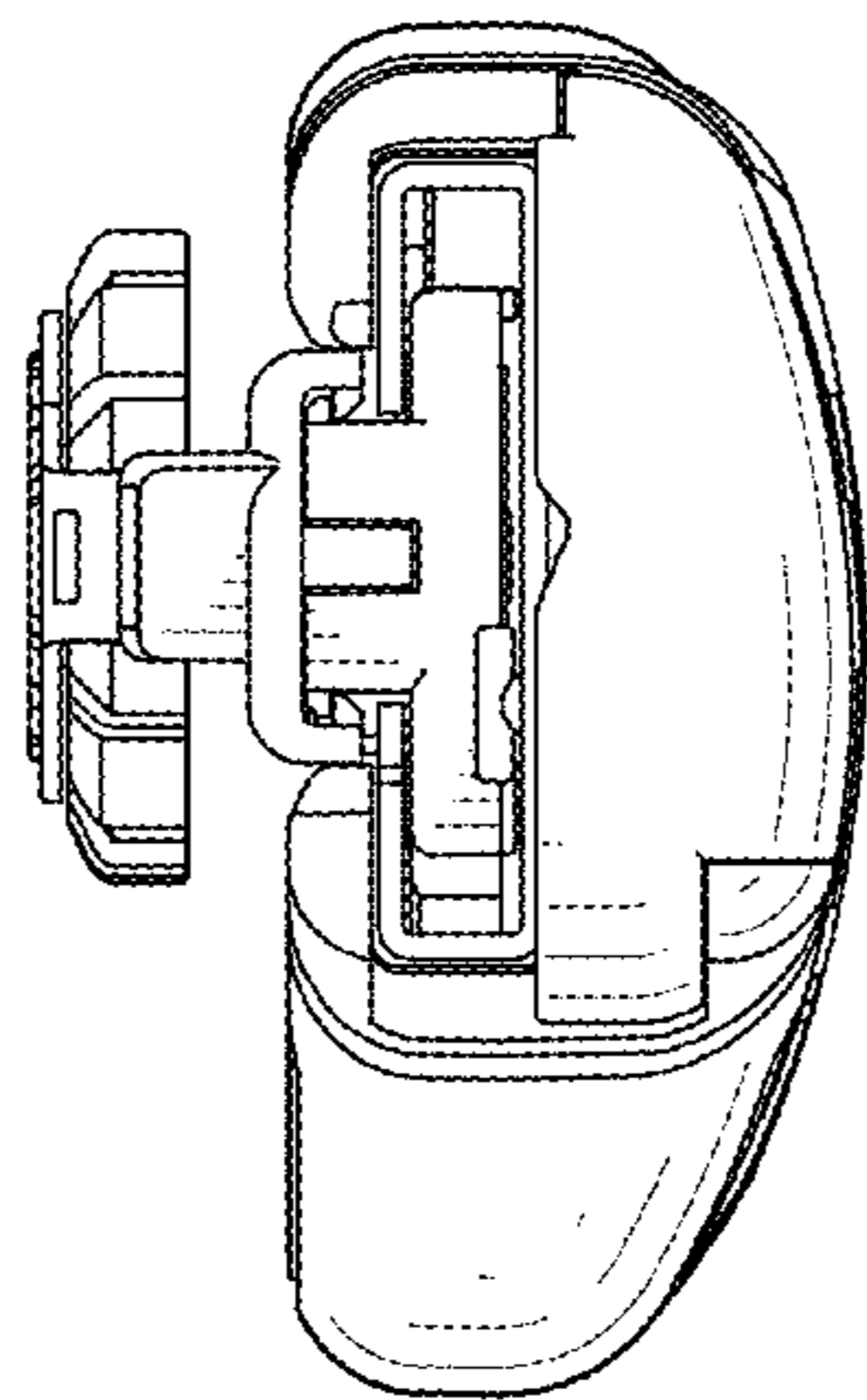


FIG. 5

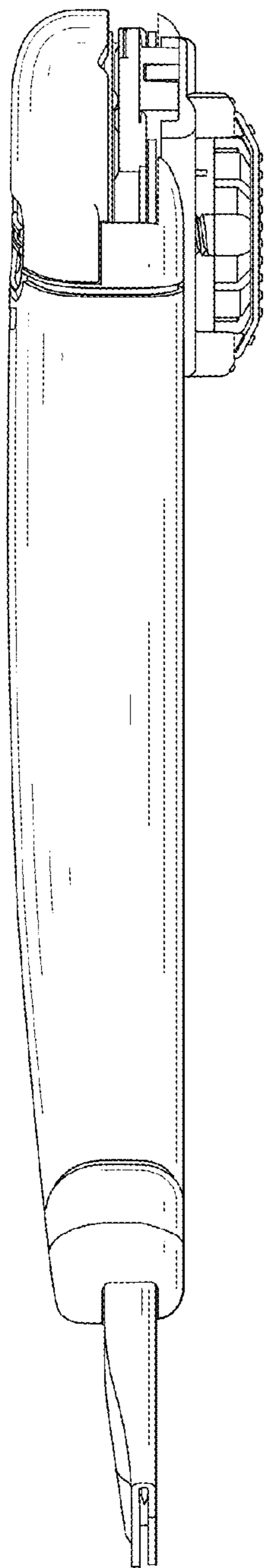


FIG. 6

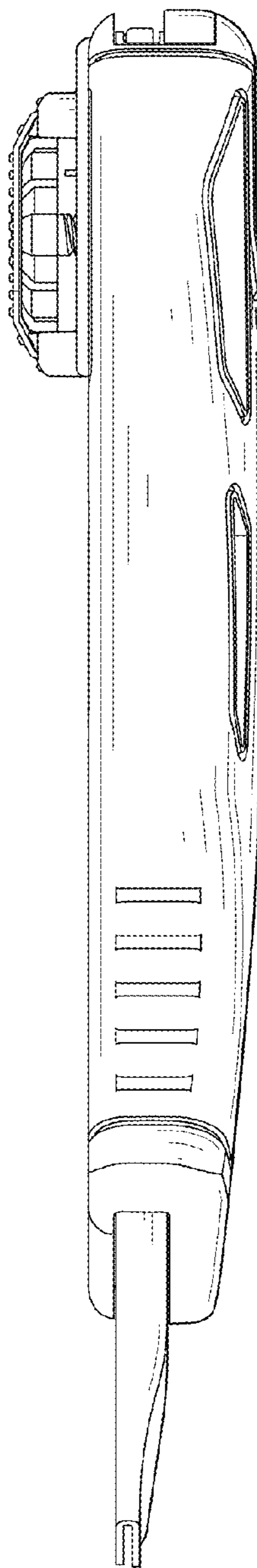


FIG. 7

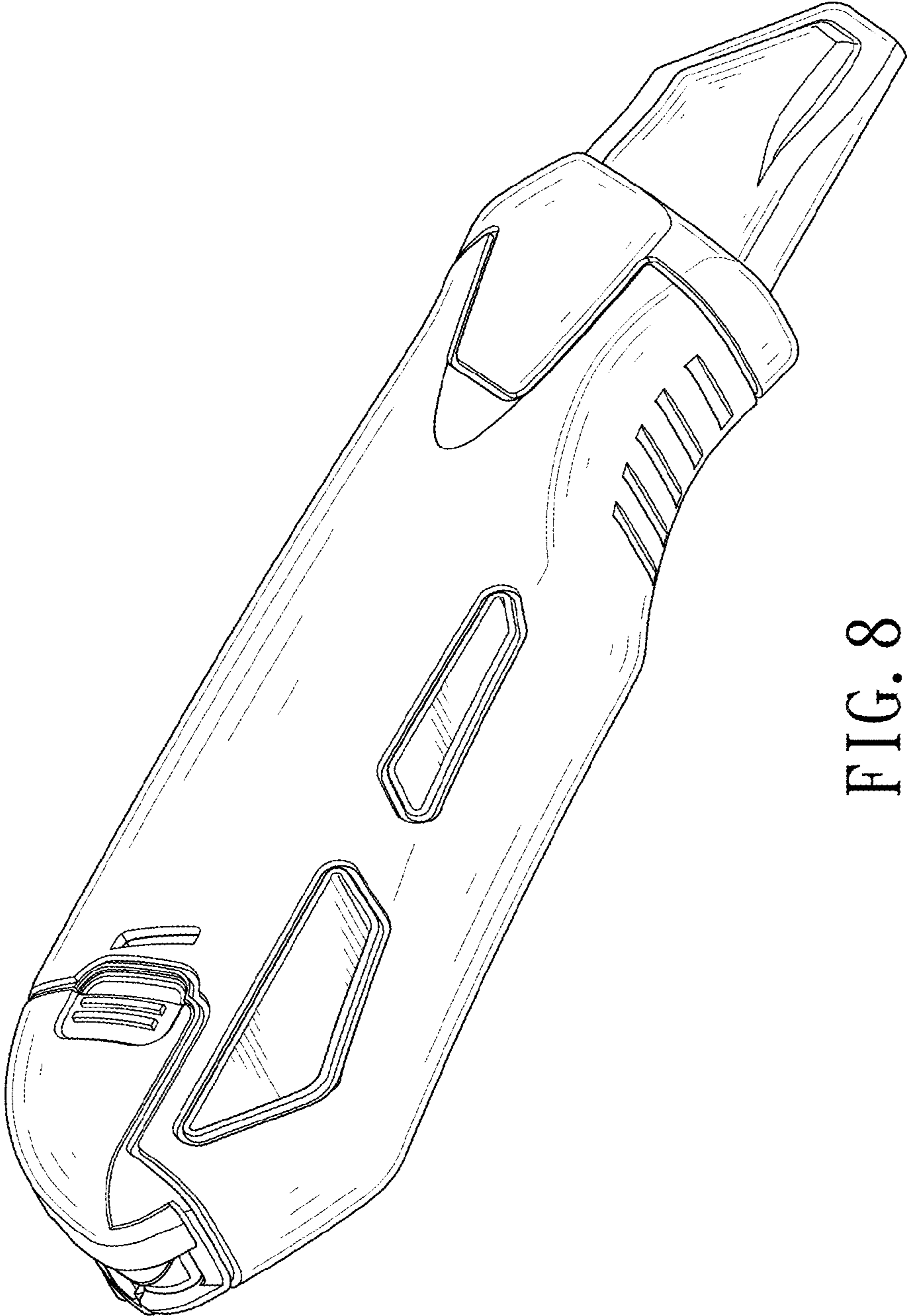


FIG. 8