



US00D735551S

(12) **United States Design Patent**
Panchenko

(10) **Patent No.:** **US D735,551 S**
(45) **Date of Patent:** **** Aug. 4, 2015**

(54) **FOLDING KNIFE**

(71) Applicant: **Spyderco, Inc.**, Golden, CO (US)

(72) Inventor: **Serge Panchenko**, Citrus Heights, CA (US)

(73) Assignee: **SPYDERCO, INC.**, Golden, CO (US)

(**) Term: **14 Years**

(21) Appl. No.: **29/476,522**

(22) Filed: **Dec. 13, 2013**

(51) **LOC (10) Cl.** **08-03**

(52) **U.S. Cl.**
USPC **D8/99**

(58) **Field of Classification Search**

USPC D8/98, 99; D22/118; 30/152-160

CPC B26B 1/00; B26B 1/02; B26B 1/04;
B26B 1/10; B26B 1/046

See application file for complete search history.

(56) **References Cited**

U.S. PATENT DOCUMENTS

2,596,294 A * 5/1952 Schrade 30/161
4,312,128 A * 1/1982 Olsen 30/157

(Continued)

OTHER PUBLICATIONS

U.S. Appl. No. 29/506,543, filed Oct. 16, 2014, Caston.

(Continued)

Primary Examiner — Philip S Hyder

(74) *Attorney, Agent, or Firm* — Sheridan Ross P.C.

(57) **CLAIM**

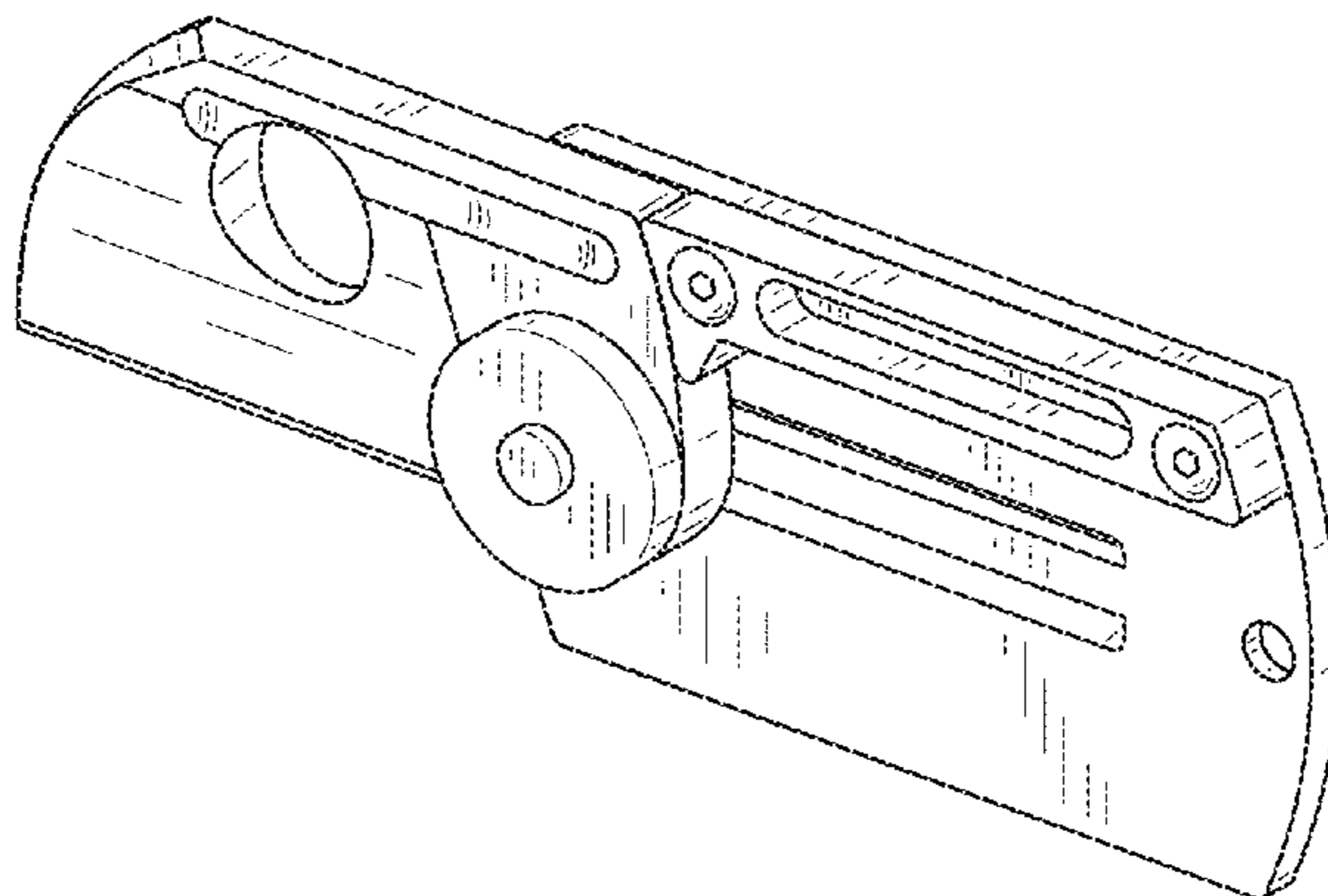
The ornamental design for a folding knife, as shown and described.

DESCRIPTION

FIG. 1 is a front perspective view of the folding knife in an open position;

FIG. 2 is a front elevation view thereof;
FIG. 3 is a rear elevation view thereof;
FIG. 4 is a right elevation view thereof;
FIG. 5 is a left elevation view thereof;
FIG. 6 is a top plan view thereof;
FIG. 7 is a bottom plan view thereof;
FIG. 8 is a front perspective view of the folding knife of FIG. 1 in a closed position;
FIG. 9 is a front elevation view of the folding knife of FIG. 8;
FIG. 10 is a rear elevation view of the folding knife of FIG. 8;
FIG. 11 is a right elevation view of the folding knife of FIG. 8;
FIG. 12 is a left elevation view of the folding knife of FIG. 8;
FIG. 13 is a top plan view of the folding knife of FIG. 8;
FIG. 14 is a bottom plan view of the folding knife of FIG. 8;
FIG. 15 is a front perspective view of the folding knife according to an alternate embodiment in an open position;
FIG. 16 is a front elevation view of the embodiment of FIG. 15;
FIG. 17 is a rear elevation view of the embodiment of FIG. 15;
FIG. 18 is a right elevation view of the embodiment of FIG. 15;
FIG. 19 is a left elevation view of the embodiment of FIG. 15;
FIG. 20 is a top plan view of the embodiment of FIG. 15;
FIG. 21 is a bottom plan view of the embodiment of FIG. 15;
FIG. 22 is a front perspective view of the embodiment of FIG. 15 in a closed position;
FIG. 23 is a front elevation view of the embodiment of FIG. 22;
FIG. 24 is a rear elevation view of the embodiment of FIG. 22;
FIG. 25 is a right elevation view of the embodiment of FIG. 22;
FIG. 26 is a left elevation view of the embodiment of FIG. 22;
FIG. 27 is a top plan view of the embodiment of FIG. 22; and,
FIG. 28 is a bottom plan view of the embodiment of FIG. 22.
The broken lines depict portions of the folding knife in which the design is embodied that are not considered part of the claimed design.

1 Claim, 12 Drawing Sheets



(56)

References Cited

U.S. PATENT DOCUMENTS

D411,091	S	*	6/1999	Halligan	D8/99
D414,671	S	*	10/1999	Halligan	D8/99
D429,986	S	*	8/2000	Cheng	D8/99
6,101,722	A	*	8/2000	Cheng	30/155
6,101,724	A	*	8/2000	Halligan	30/161
6,105,255	A	*	8/2000	Cheng	30/161
D492,568	S	*	7/2004	Allen	D8/99
6,804,887	B2	*	10/2004	Cheng	30/161
6,848,184	B2	*	2/2005	Cheng	30/155
D505,057	S	*	5/2005	Ralph	D8/99
D605,021	S	*	12/2009	Noraker	D8/99
D605,022	S	*	12/2009	Noraker	D8/99
D623,040	S	*	9/2010	Freeman et al.	D8/107
D664,826	S	*	8/2012	Lebeau	D8/99
D664,827	S	*	8/2012	Lebeau	D8/99

OTHER PUBLICATIONS

“Curtiss Knives ‘Dogtag’ framelock,” Sep. 16, 2011, retrieved from www.usualsuspect.net/forums/showthread.php?590181-Curtiss-Knive, 5 pages.

“Curtiss Knives ‘Dogtag’ sign-up,” Sep. 16, 2011, retrieved from www.usualsuspect.net/forums/showthread.php?590185-Curtiss-Knive, 12 pages.

“Dogtag Folder GAW!!!” Curtis Knives, Sep. 18, 2012, retrieved from www.usualsuspect.net/forums/showthread.php?674650-DOGTAG-Folder-GAW, 5 pages.

“Dogtag Folder poll,” Curtis Knives, Aug. 17, 2012, retrieved from www.usualsuspect.net/forums/showthread.php?666302-Dogtag-Folder, 13 pages.

Notice of Grant (with English translation) for Chinese Patent Application No. 201430149199.5, dated Sep. 5, 2014, 5 pages.

* cited by examiner

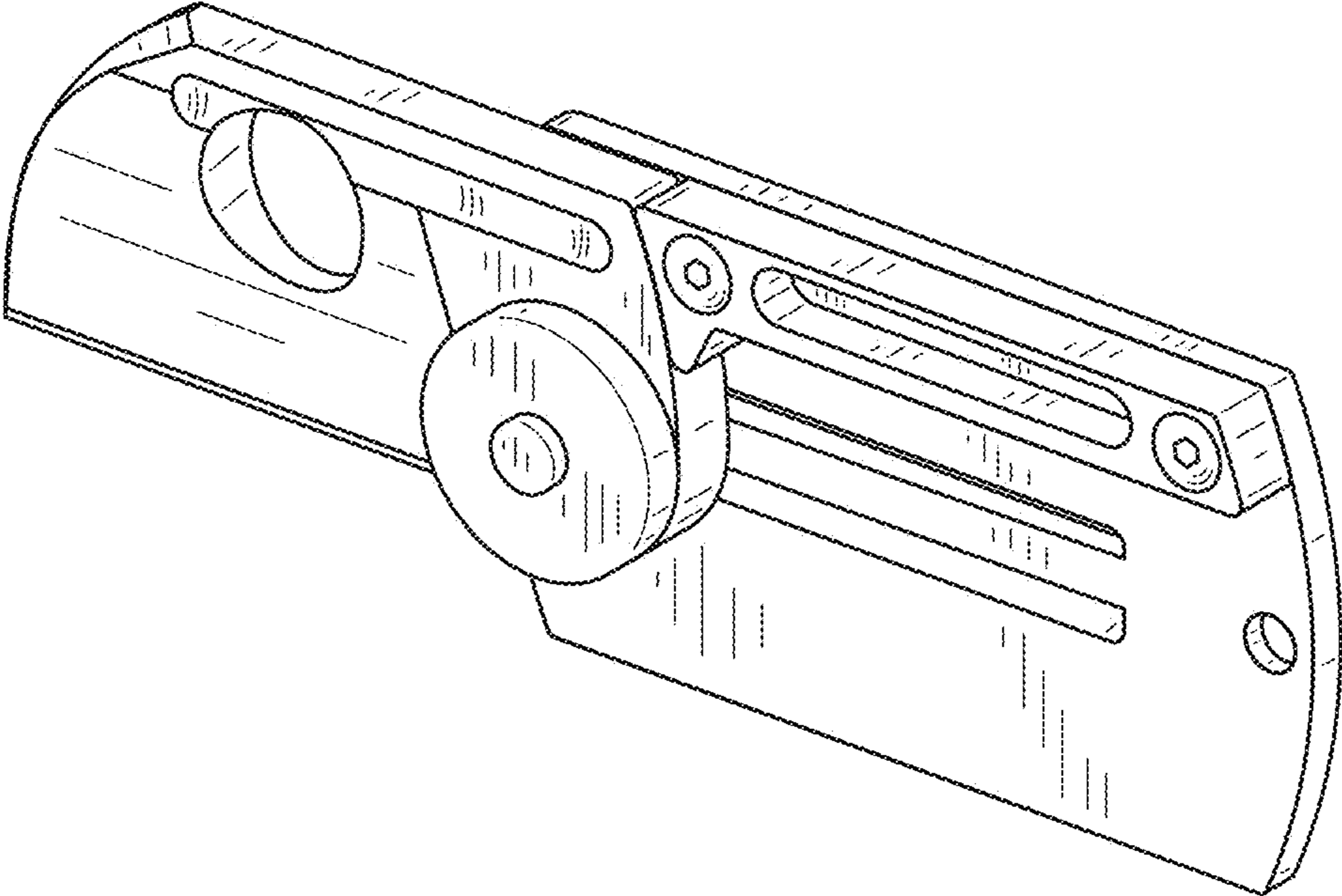


FIG.1

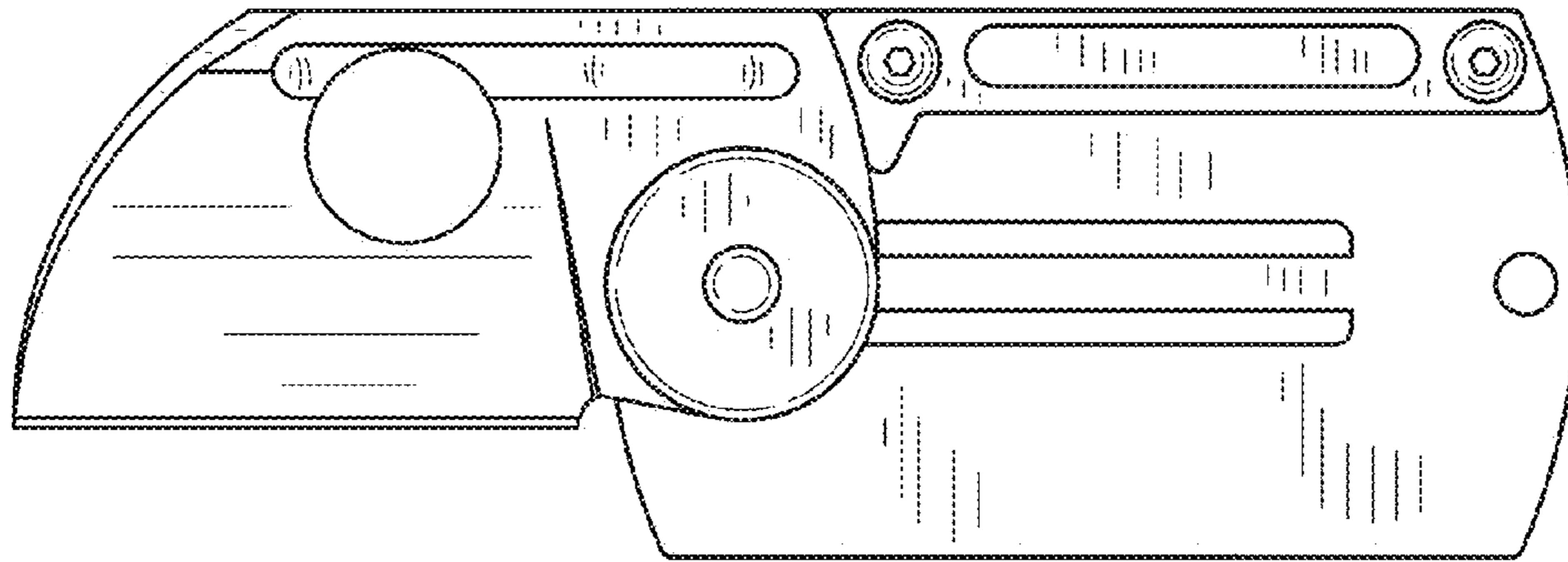


FIG. 2

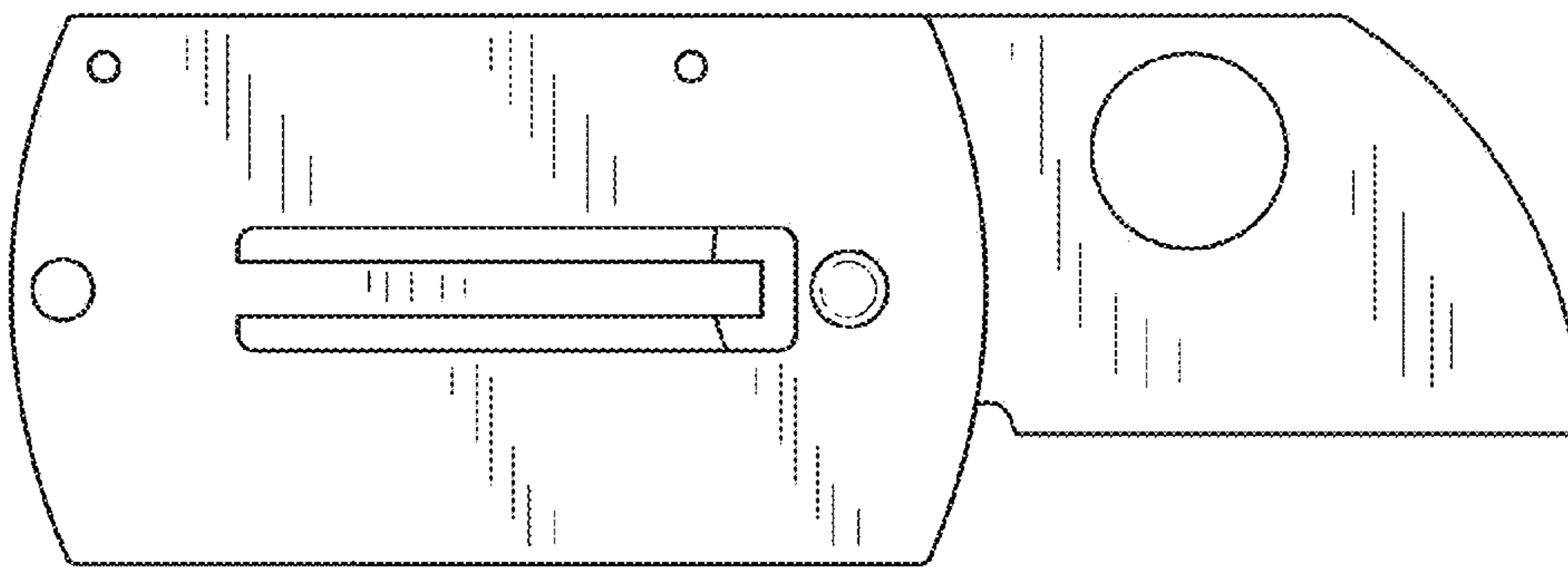


FIG. 3

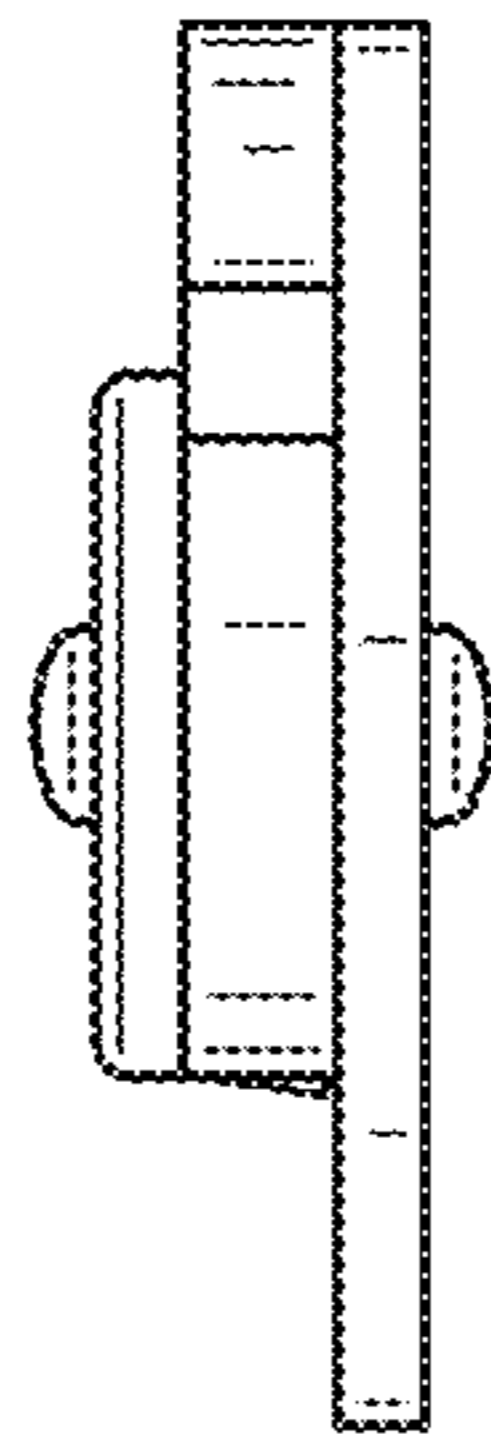


FIG. 4

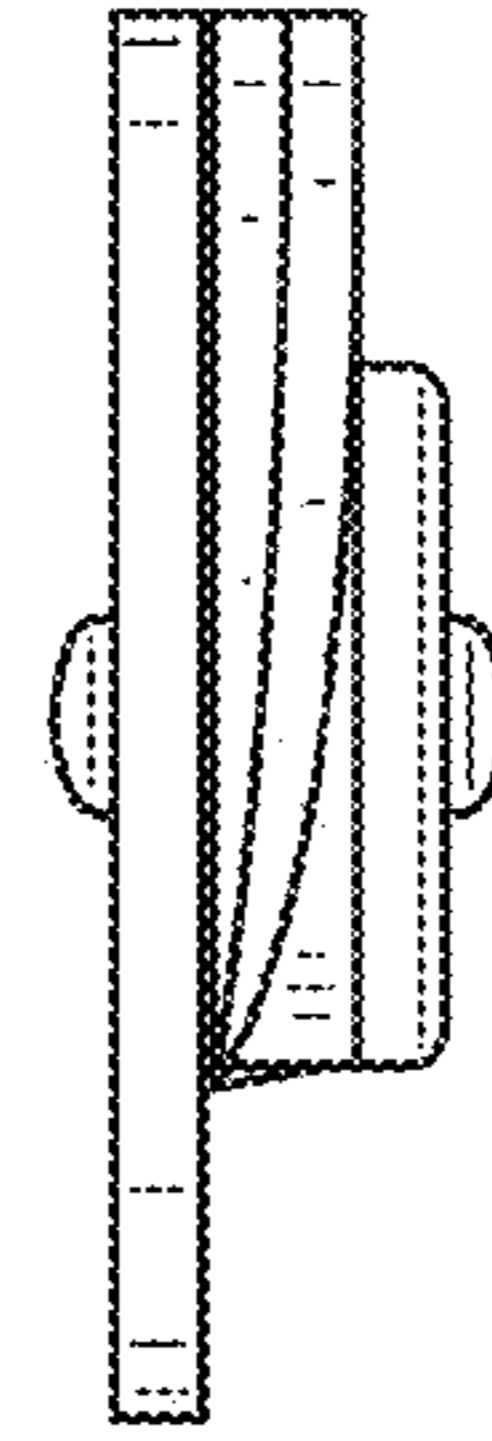


FIG. 5

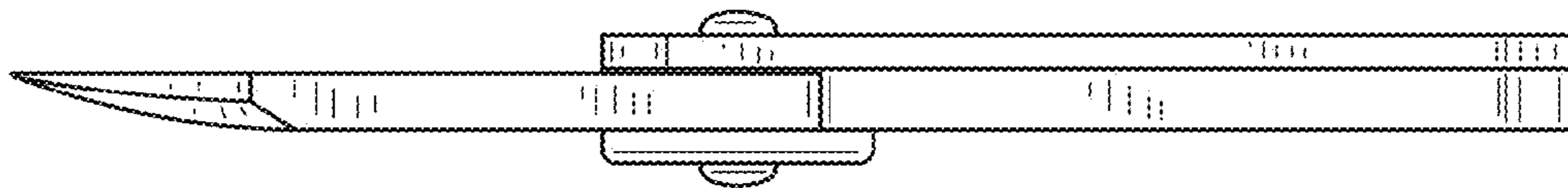


FIG. 6

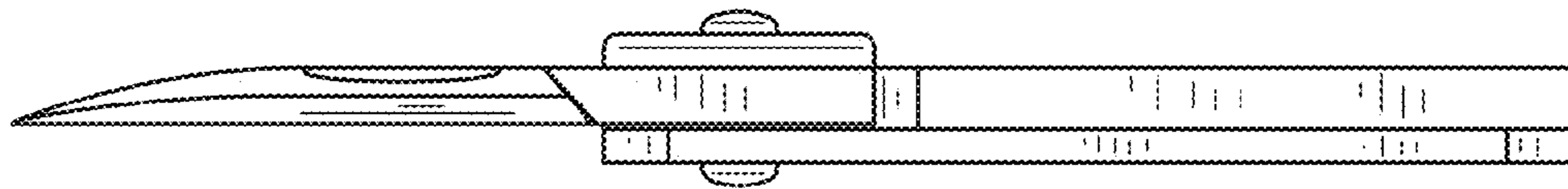


FIG. 7

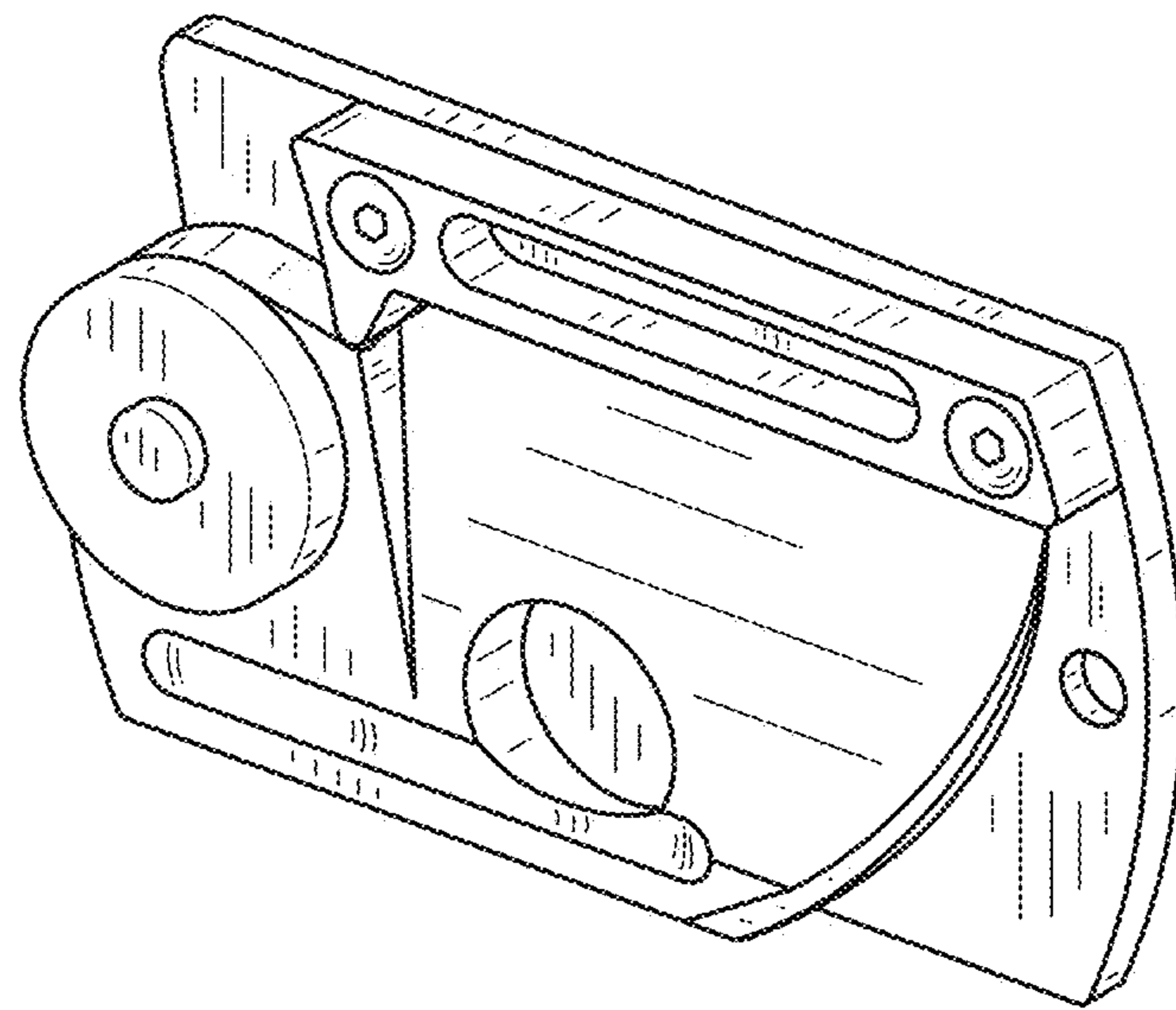


FIG.8

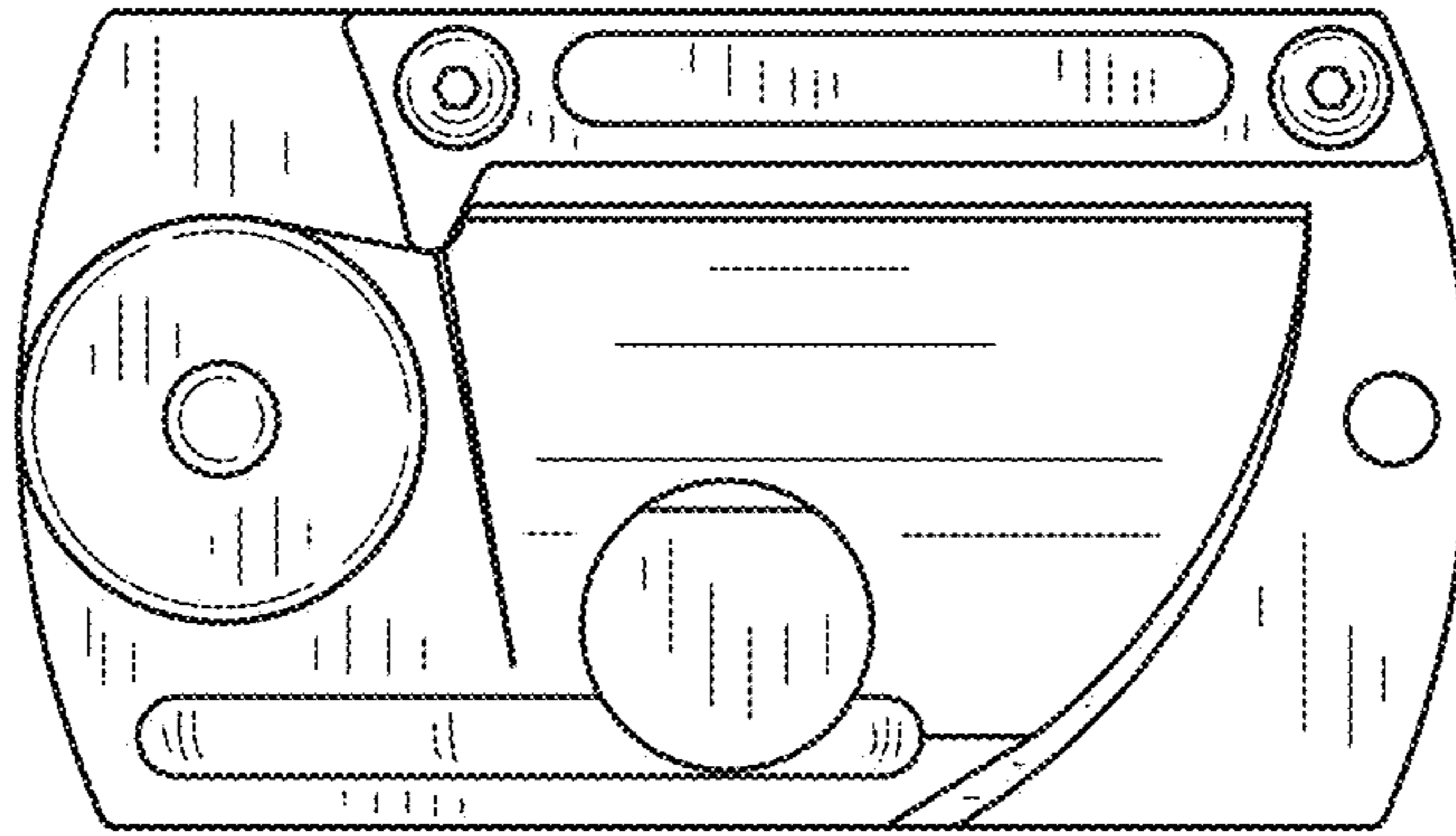


FIG. 9

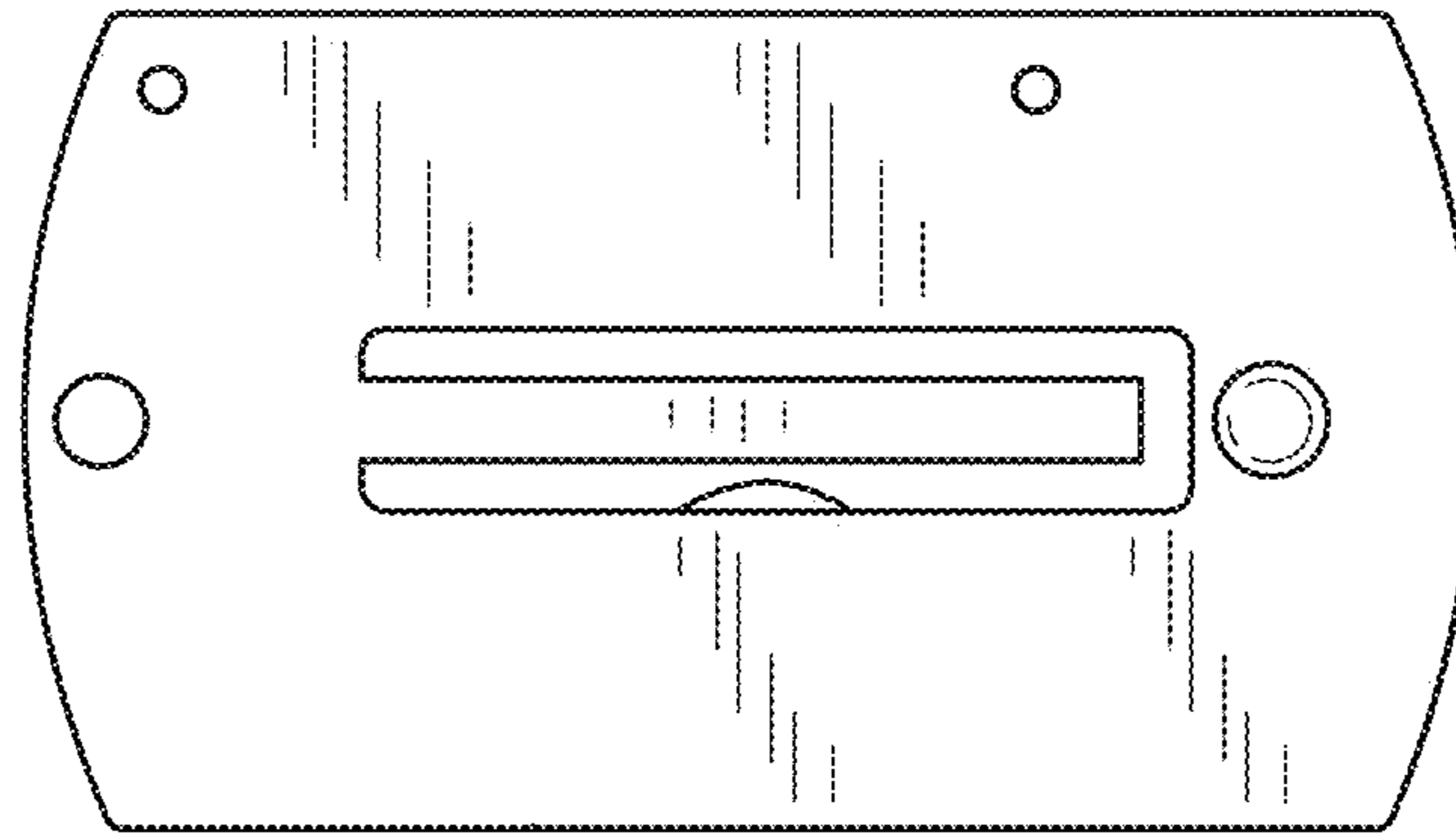


FIG. 10

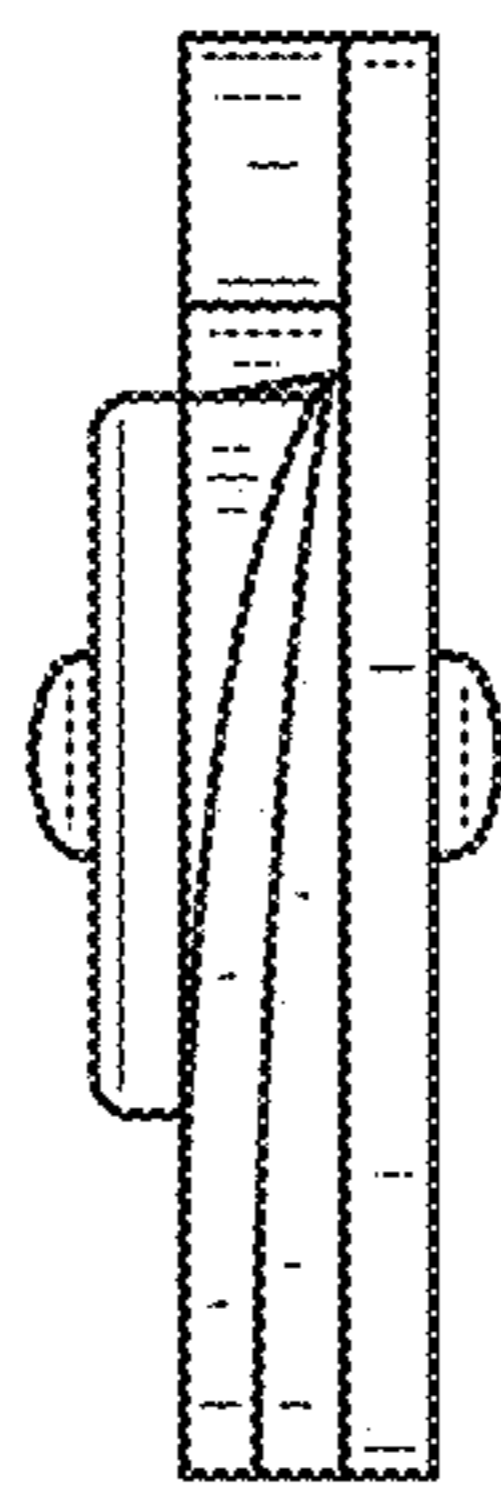


FIG. 11

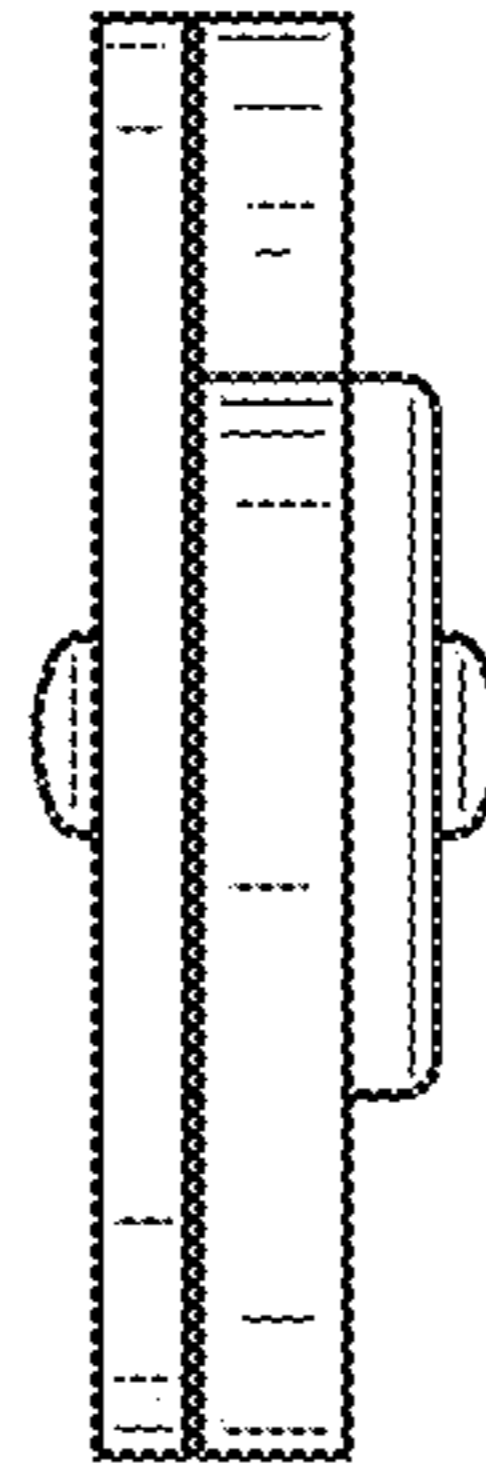


FIG. 12

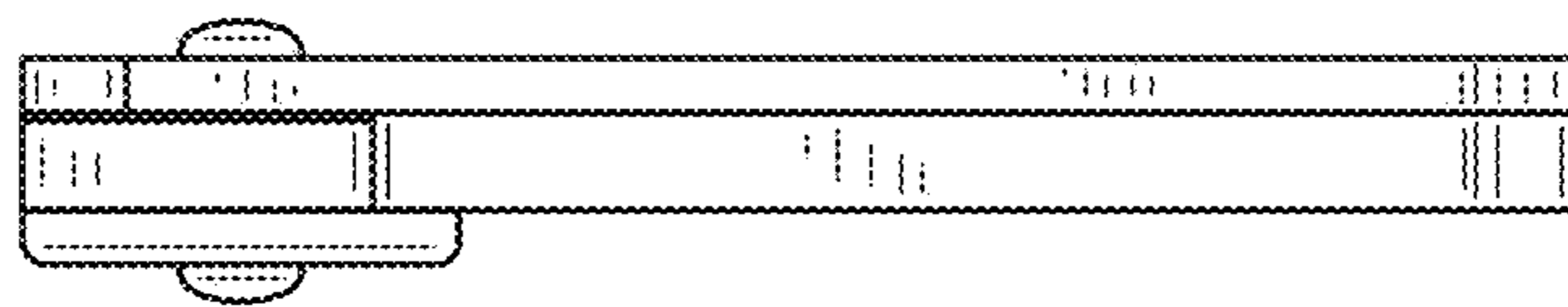


FIG. 13

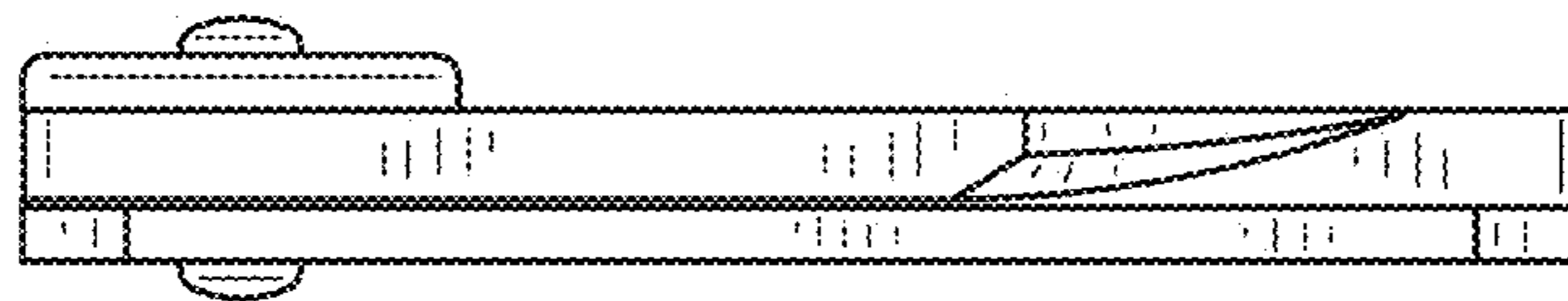


FIG. 14

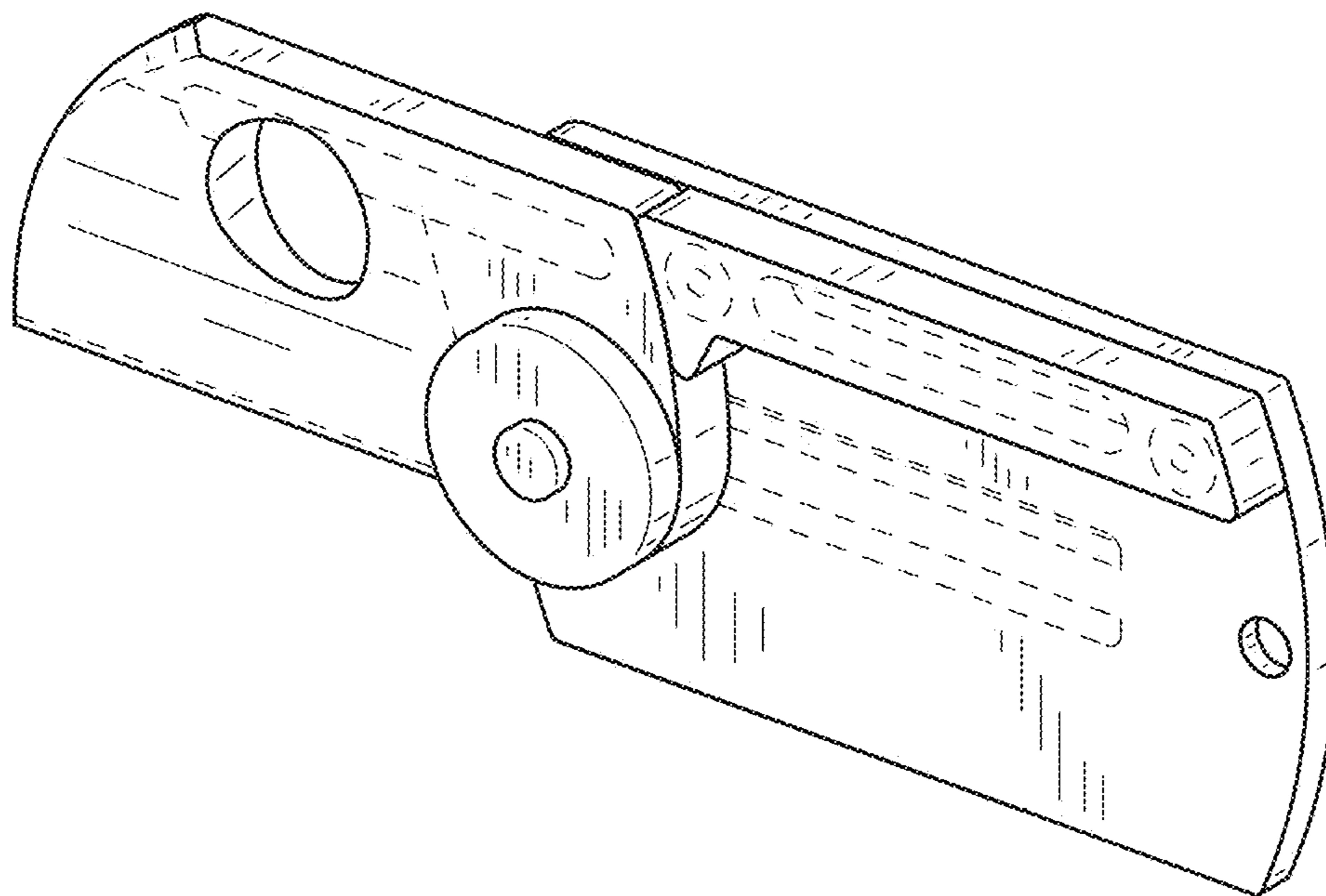


FIG.15

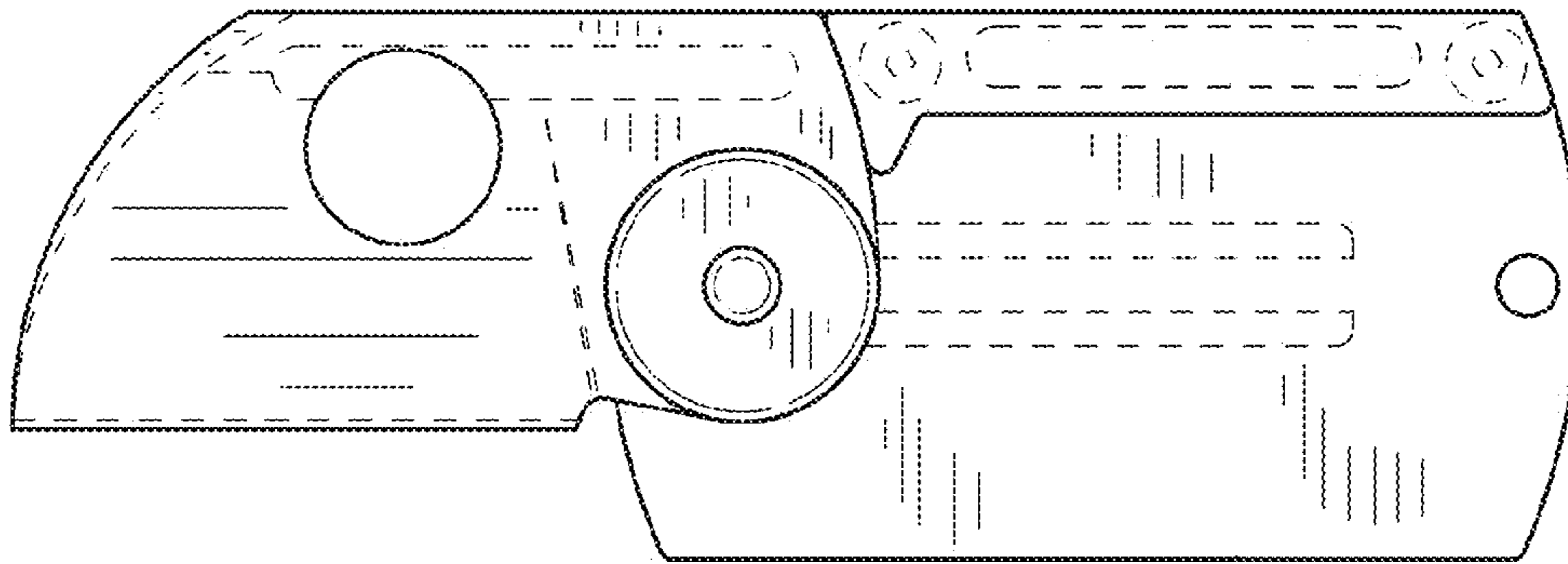


FIG. 16

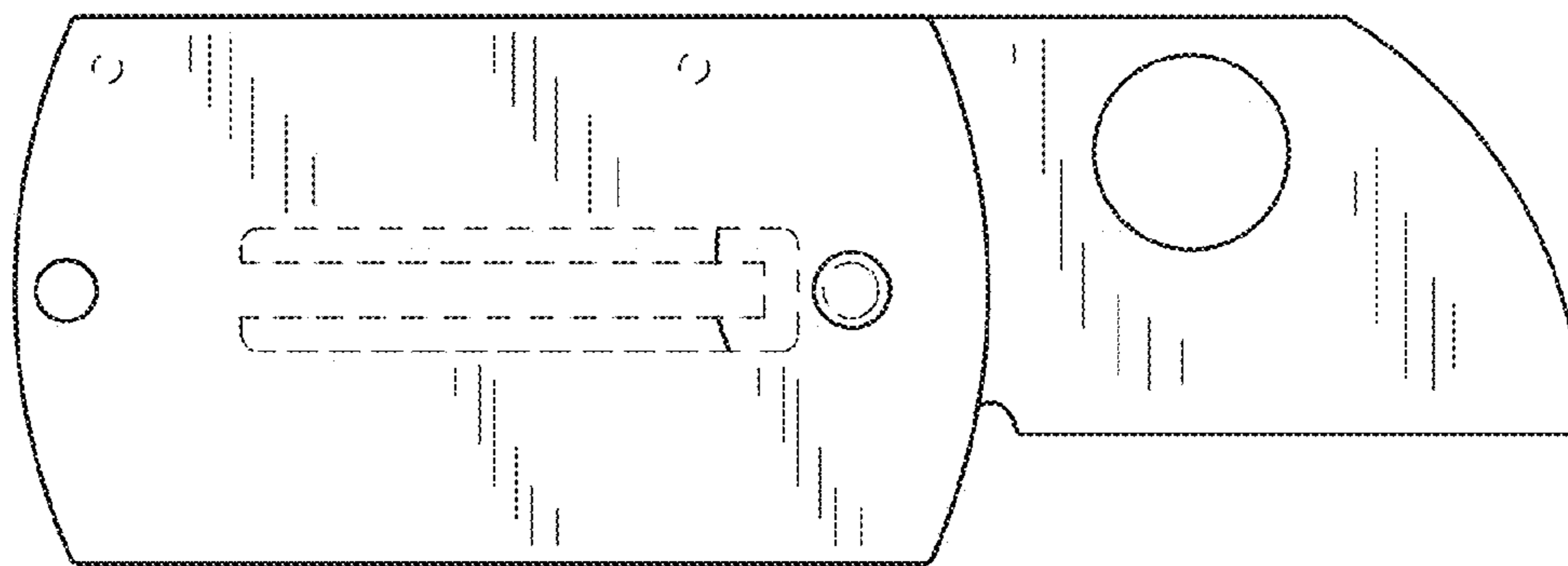


FIG. 17

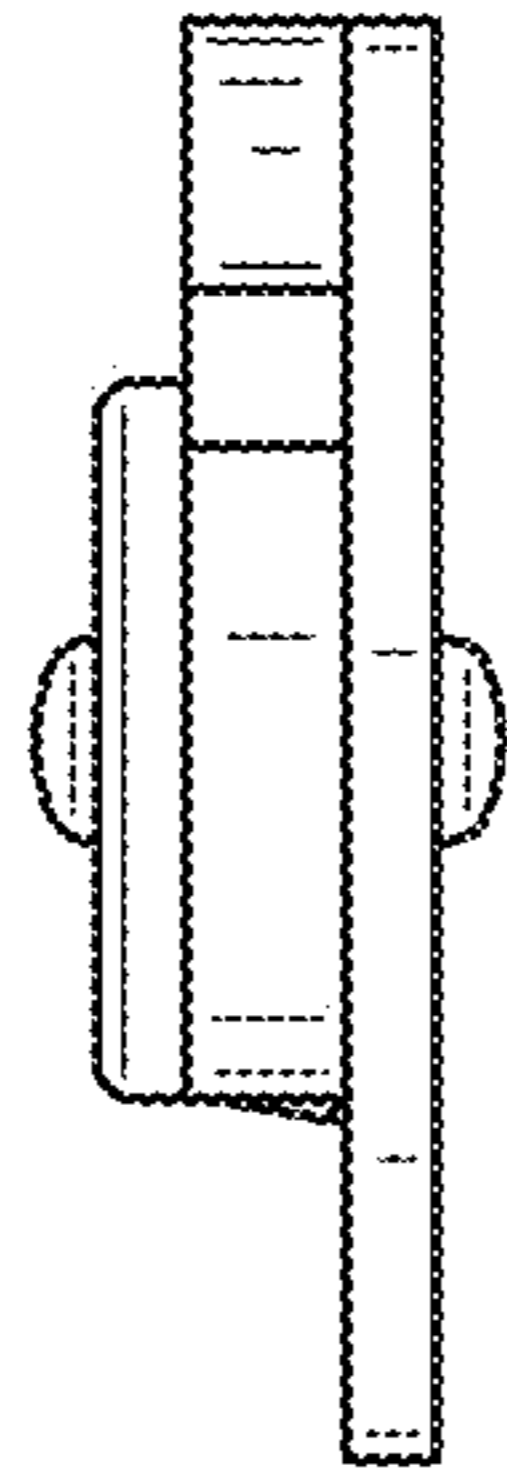


FIG. 18

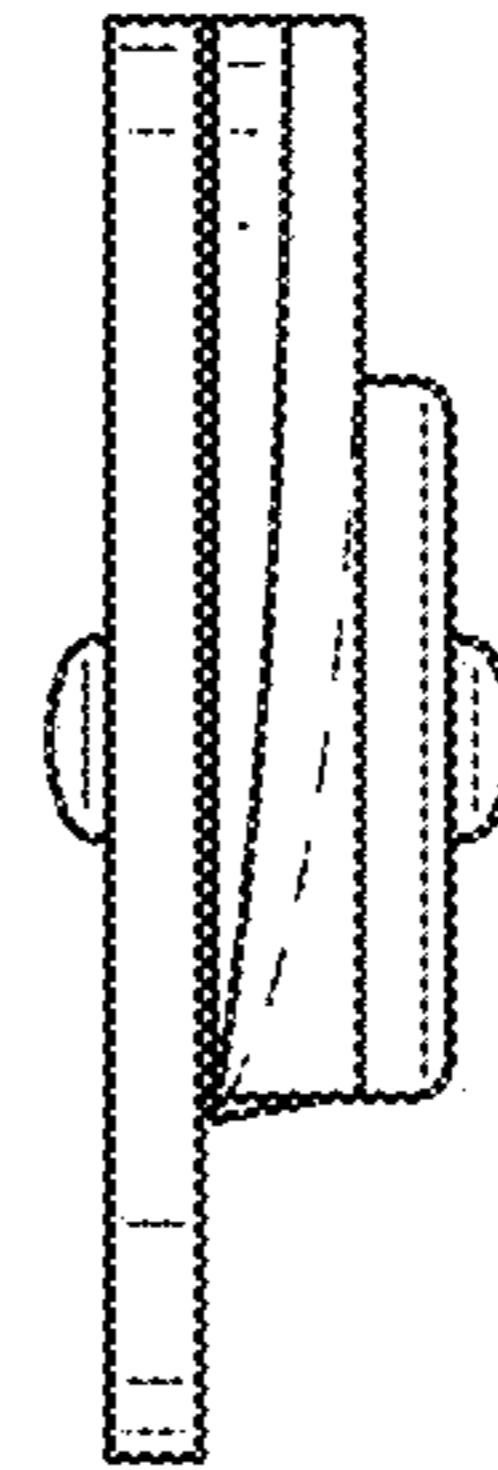


FIG. 19

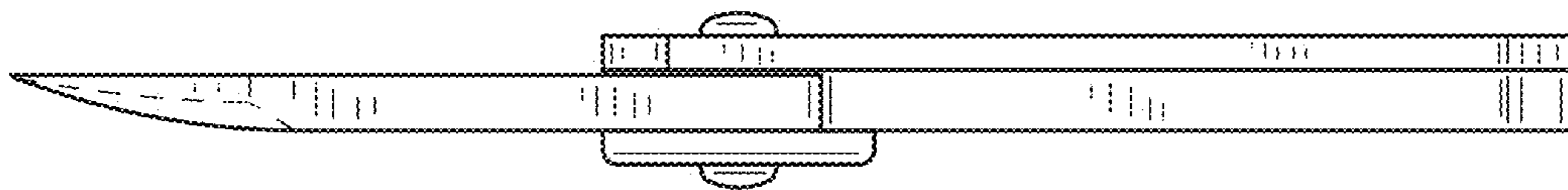


FIG. 20

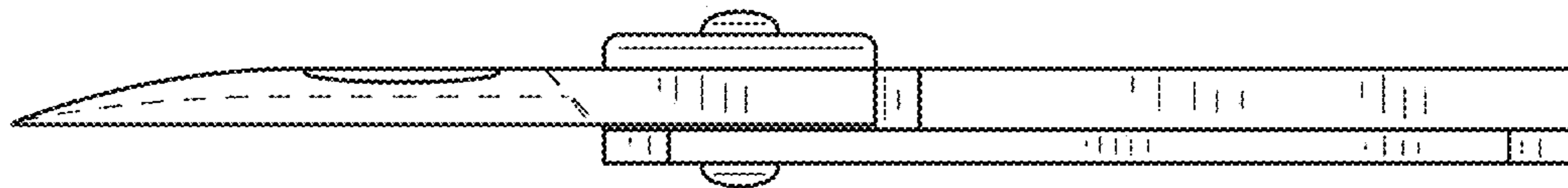


FIG. 21

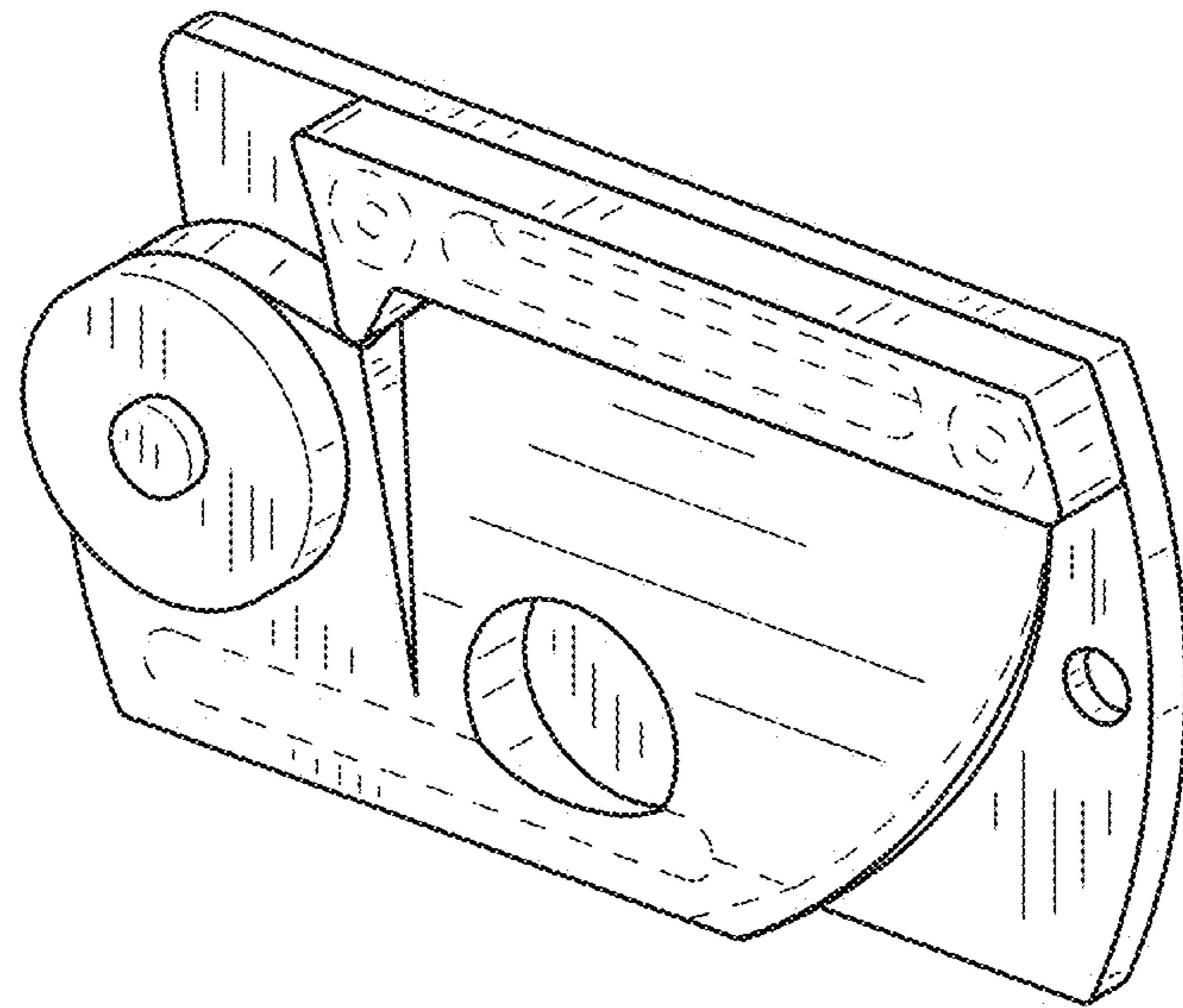


FIG.22

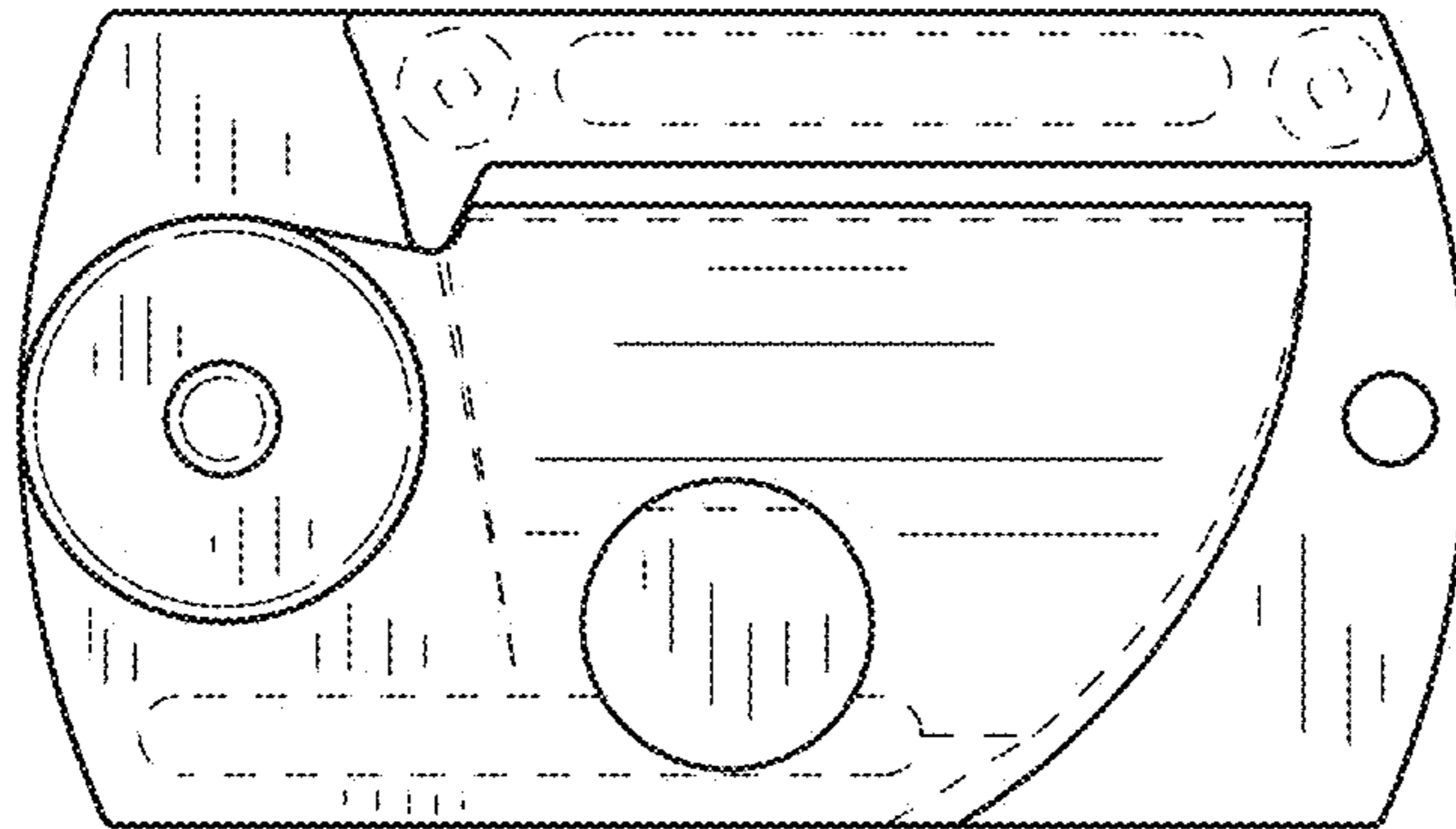


FIG.23

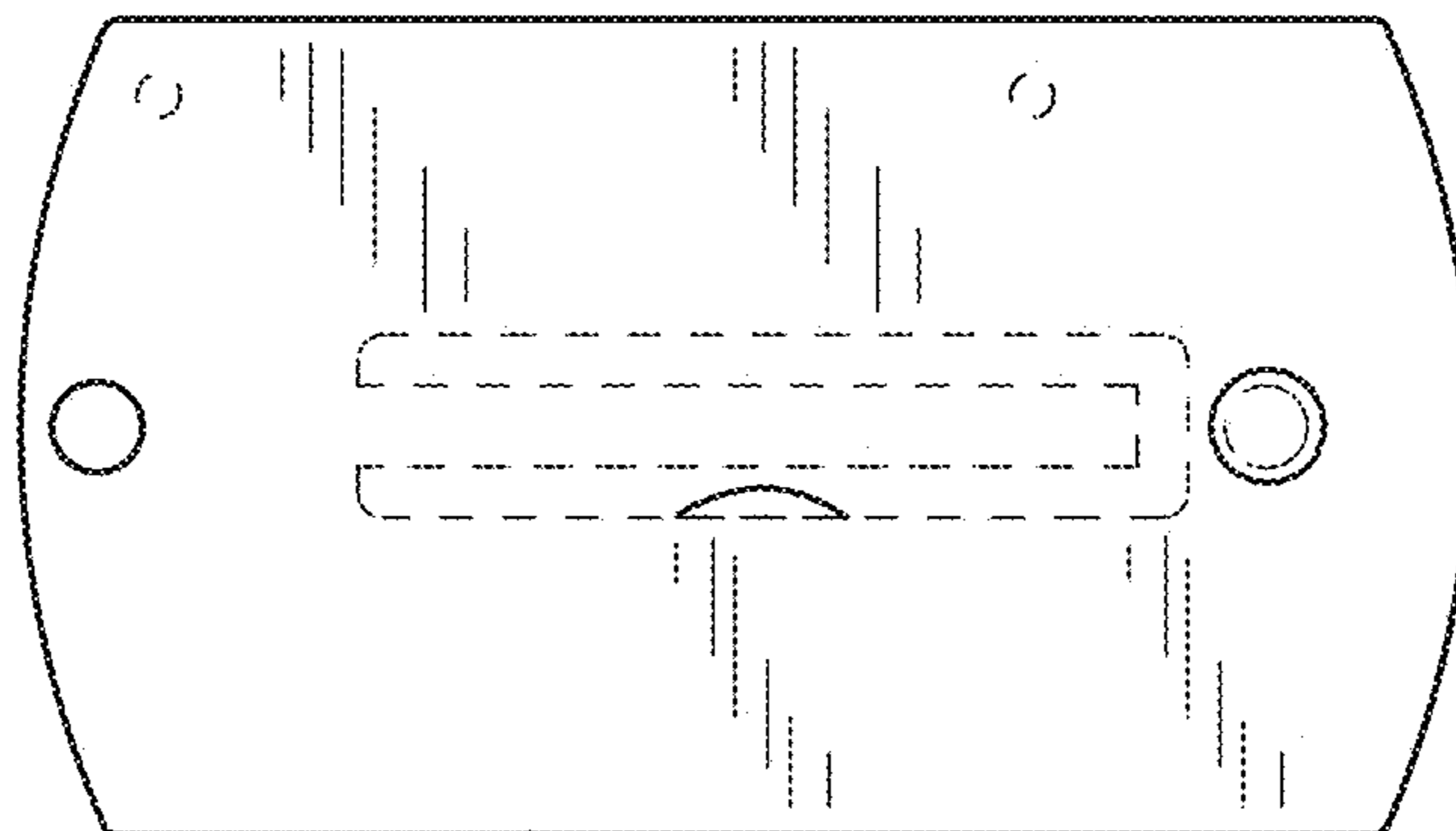


FIG.24

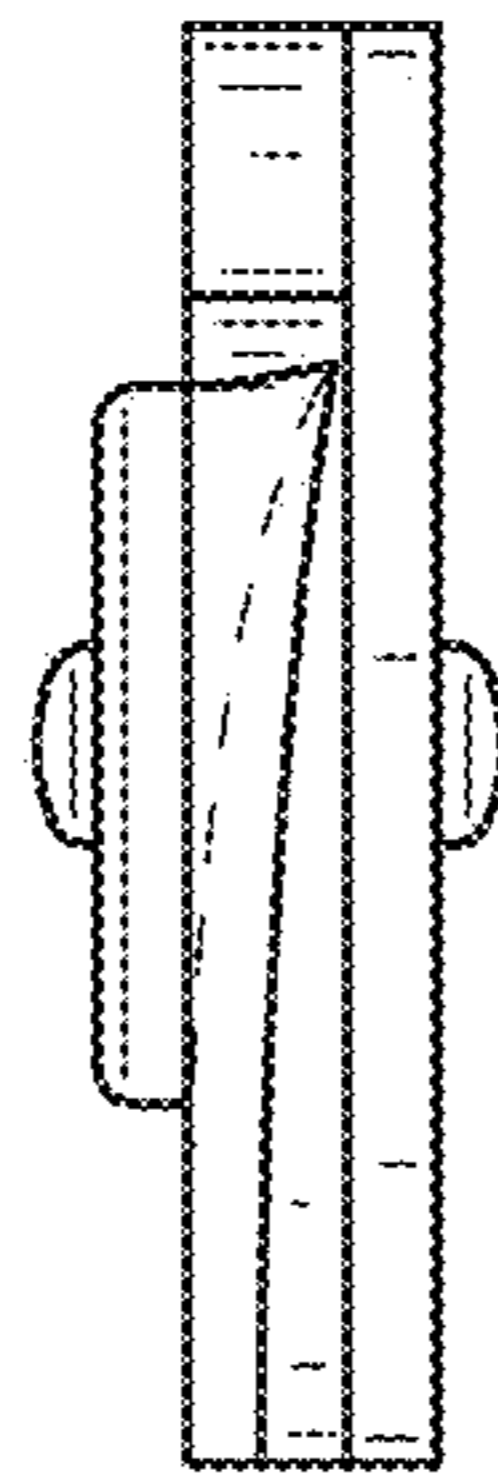


FIG. 25

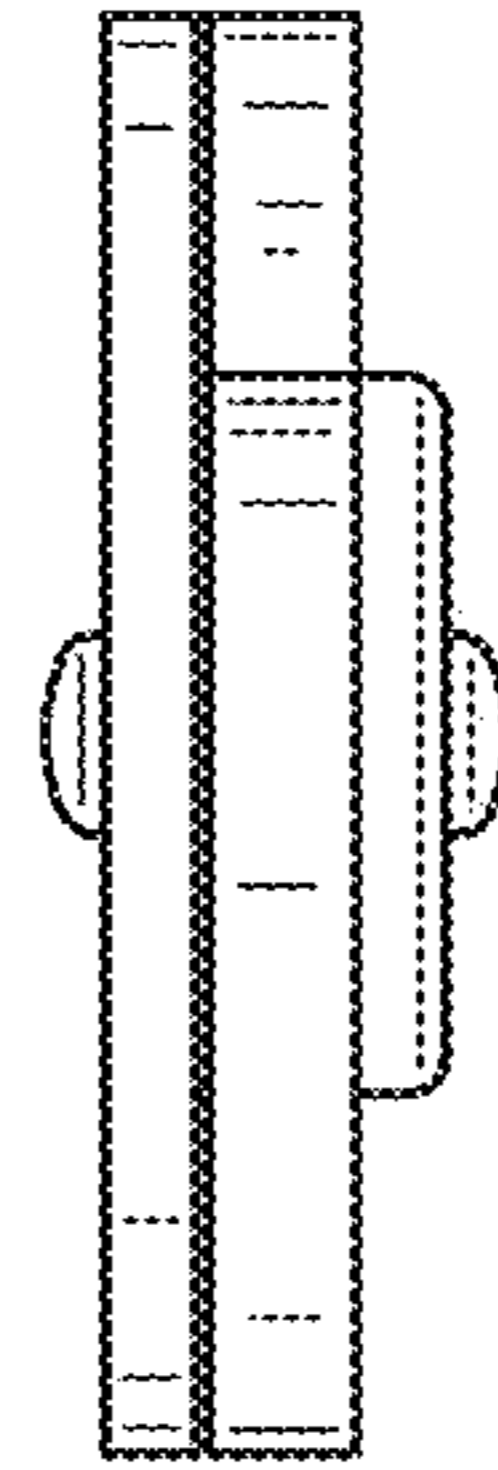


FIG. 26

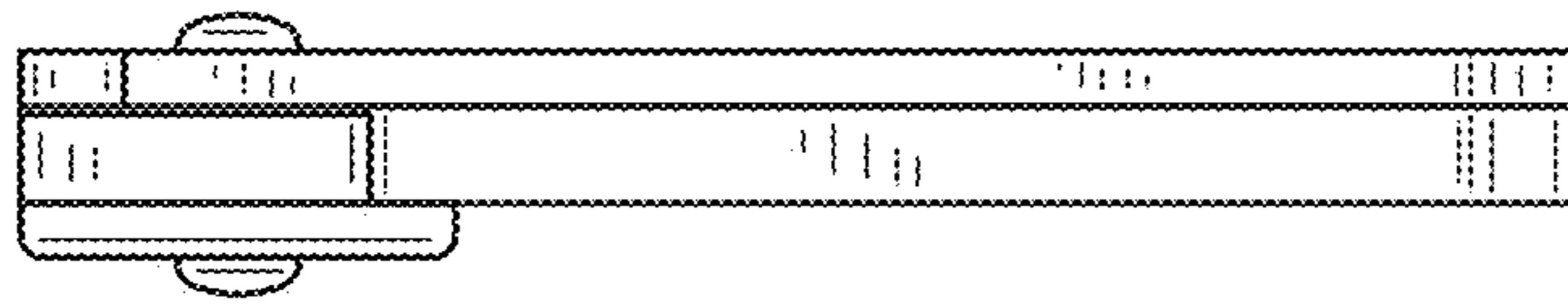


FIG. 27

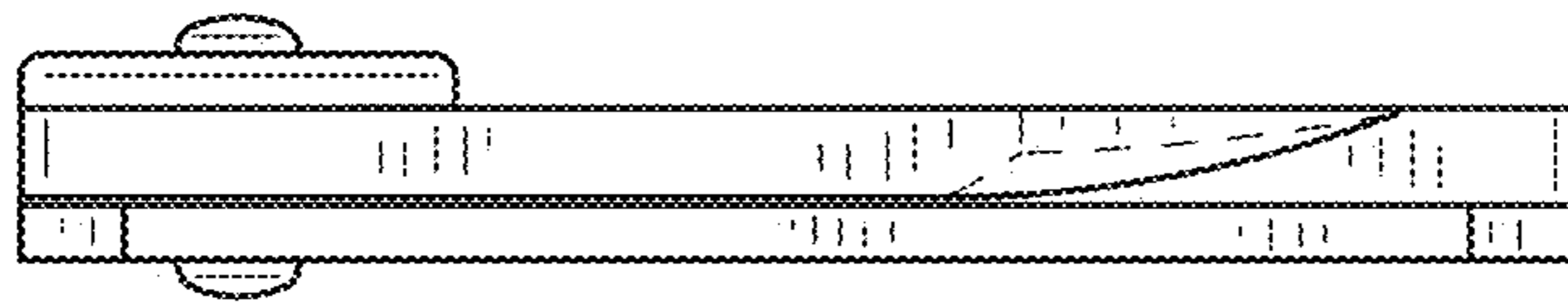


FIG. 28