



US00D735549S

(12) **United States Design Patent**
Schenk et al.

(10) **Patent No.:** **US D735,549 S**
(45) **Date of Patent:** **** Aug. 4, 2015**

(54) **DRILL CHUCK WITH A CONICAL CLAMPING SLEEVE**

(71) Applicant: **Roehm GmbH**, Sontheim/Brenz (DE)

(72) Inventors: **Peter Schenk**, Niederstotzingen (DE);
Hans Baumann, Sontheim (DE)

(73) Assignee: **Roehm GmbH**, Sontheim/Brenz (DE)

(**) Term: **14 Years**

(21) Appl. No.: **29/502,539**

(22) Filed: **Sep. 17, 2014**

(30) **Foreign Application Priority Data**

Mar. 17, 2014 (EM) 002426205-0001

(51) **LOC (10) Cl.** **08-03**

(52) **U.S. Cl.**
USPC **D8/70; D15/140**

(58) **Field of Classification Search**

USPC D8/70, 71, 85, 86, 349, 359, 382, 387,
D8/394, 397; D15/138, 139; 81/124.2,
81/176.15, 176.2, 177.1, 177.2, 437;
279/62, 143, 145, 902; 299/87.1, 106,
299/107, 109; 408/143, 144, 153, 223;
411/179, 180, 427, 429, 918; D22/134,
D22/137, 138, 140, 141; 242/118.4, 118.41,
242/311, 322; 33/733; D3/24, 25
CPC B25B 15/00; B25B 23/0035; B25B 23/12;
B25B 23/0028; B25B 23/00; B25B 23/10;
B25B 23/08; B25F 1/003; B25G 1/066
See application file for complete search history.

(56) **References Cited**

U.S. PATENT DOCUMENTS

1,495,233 A * 5/1924 McConnell 279/62
D402,675 S * 12/1998 Long D15/140
D426,840 S * 6/2000 Sakamaki D15/140

D427,216 S * 6/2000 Miles et al. D15/140
D471,571 S * 3/2003 Concari D15/140
D514,416 S * 2/2006 Watson D8/70
D542,815 S * 5/2007 Concari et al. D15/140
D569,208 S * 5/2008 Concari D8/70
D587,085 S * 2/2009 Wright D8/68

(Continued)

FOREIGN PATENT DOCUMENTS

DE 102006058199 A1 * 6/2008 B23B 31/12
DE 102007045965 A1 * 4/2009 B23B 31/12

(Continued)

Primary Examiner — Philip S Hyder

Assistant Examiner — Darlington Ly

(74) *Attorney, Agent, or Firm* — Muncy, Geissler, Olds & Lowe, P.C.

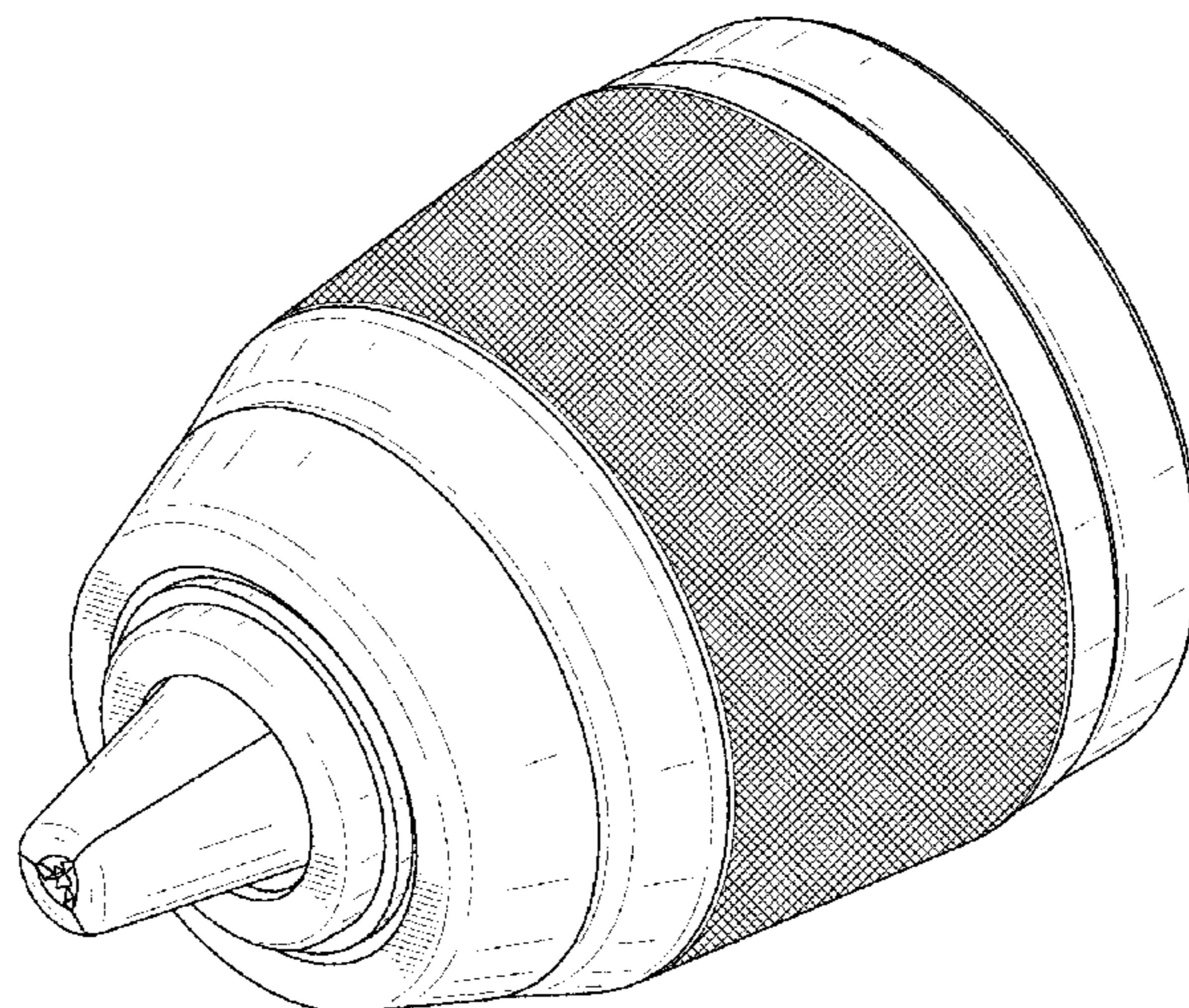
(57) **CLAIM**

The ornamental design for a drill chuck with a conical clamping sleeve, as shown and described.

DESCRIPTION

FIG. 1 is a front perspective view of a drill chuck with a conical clamping sleeve according to the present invention. FIG. 2 is a left side view of the drill chuck with a conical clamping sleeve of FIG. 1. FIG. 3 is a top side view of the drill chuck with a conical clamping sleeve of FIG. 1. FIG. 4 is a front side view of the drill chuck with a conical clamping sleeve of FIG. 1. FIG. 5 is a bottom side view of the drill chuck with a conical clamping sleeve of FIG. 1. FIG. 6 is a rear side view of the drill chuck with a conical clamping sleeve of FIG. 1; and, FIG. 7 is a right side view of the drill chuck with a conical clamping sleeve of FIG. 1. The broken lines illustrate environmental structure and portions drill chuck with a conical clamping sleeve that forms no part of the claimed design.

1 Claim, 7 Drawing Sheets



(56)

References Cited

FOREIGN PATENT DOCUMENTS

U.S. PATENT DOCUMENTS

D593,390 S * 6/2009 Sakamaki et al. D8/70
2007/0235952 A1 * 10/2007 Mack 279/62
2008/0143062 A1 * 6/2008 Mack 279/62
2010/0127463 A1 * 5/2010 Zhou et al. 279/61

FR 2798609 A1 * 3/2001 B23B 31/167
JP 2006346854 A * 12/2006 B23B 31/12
JP 2007168072 A * 7/2007 B23B 31/12

* cited by examiner

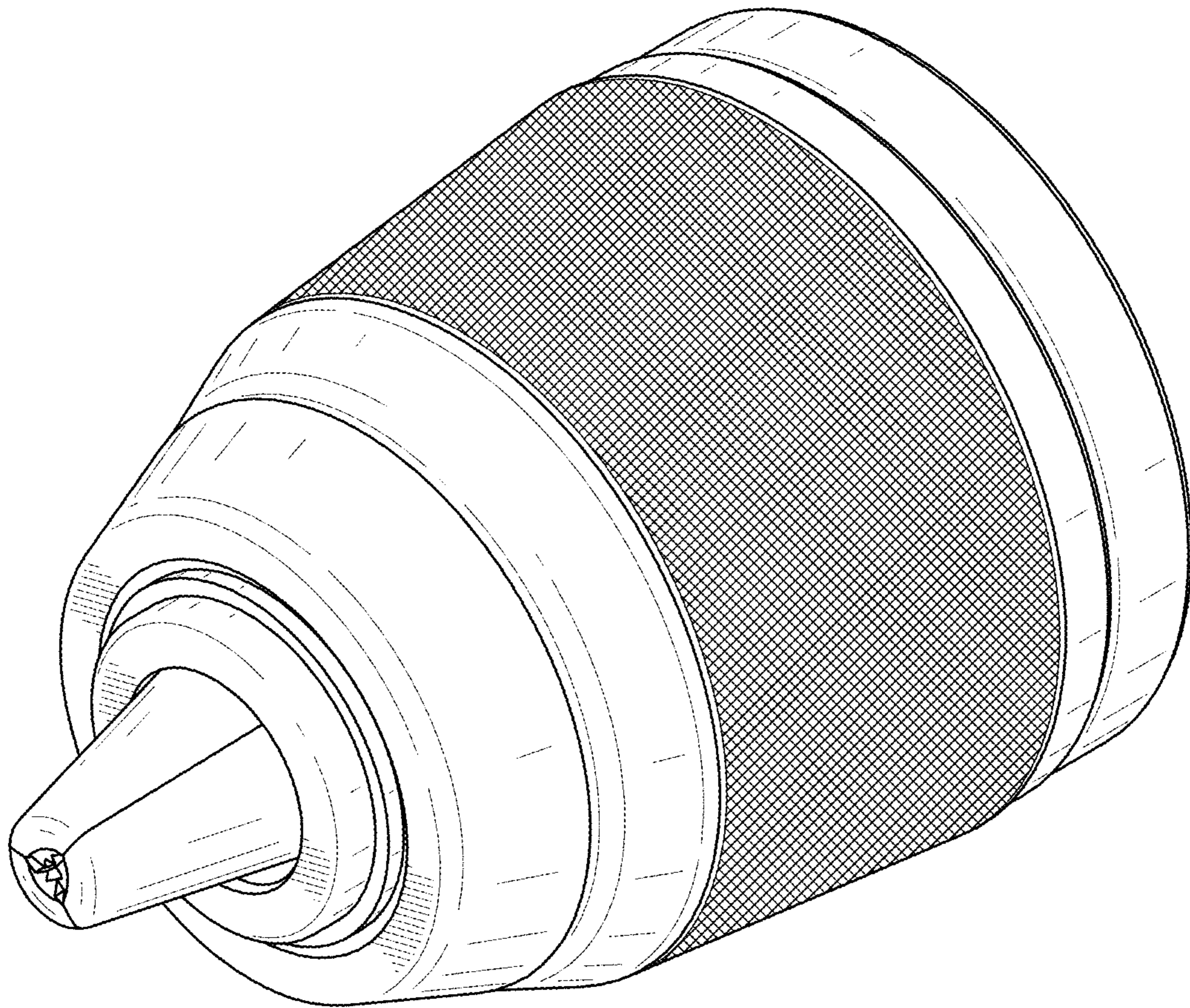


FIG.1

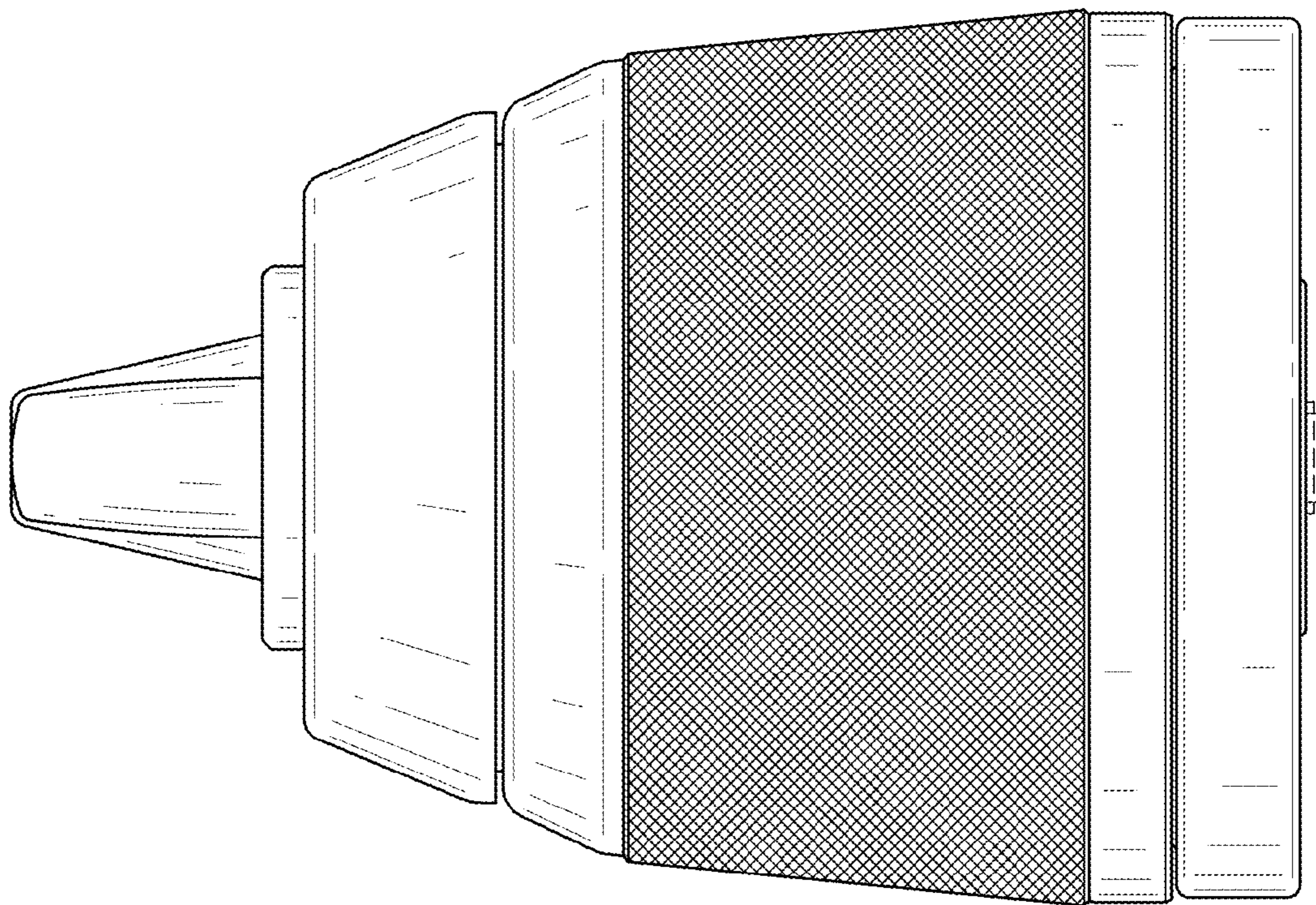


FIG.2

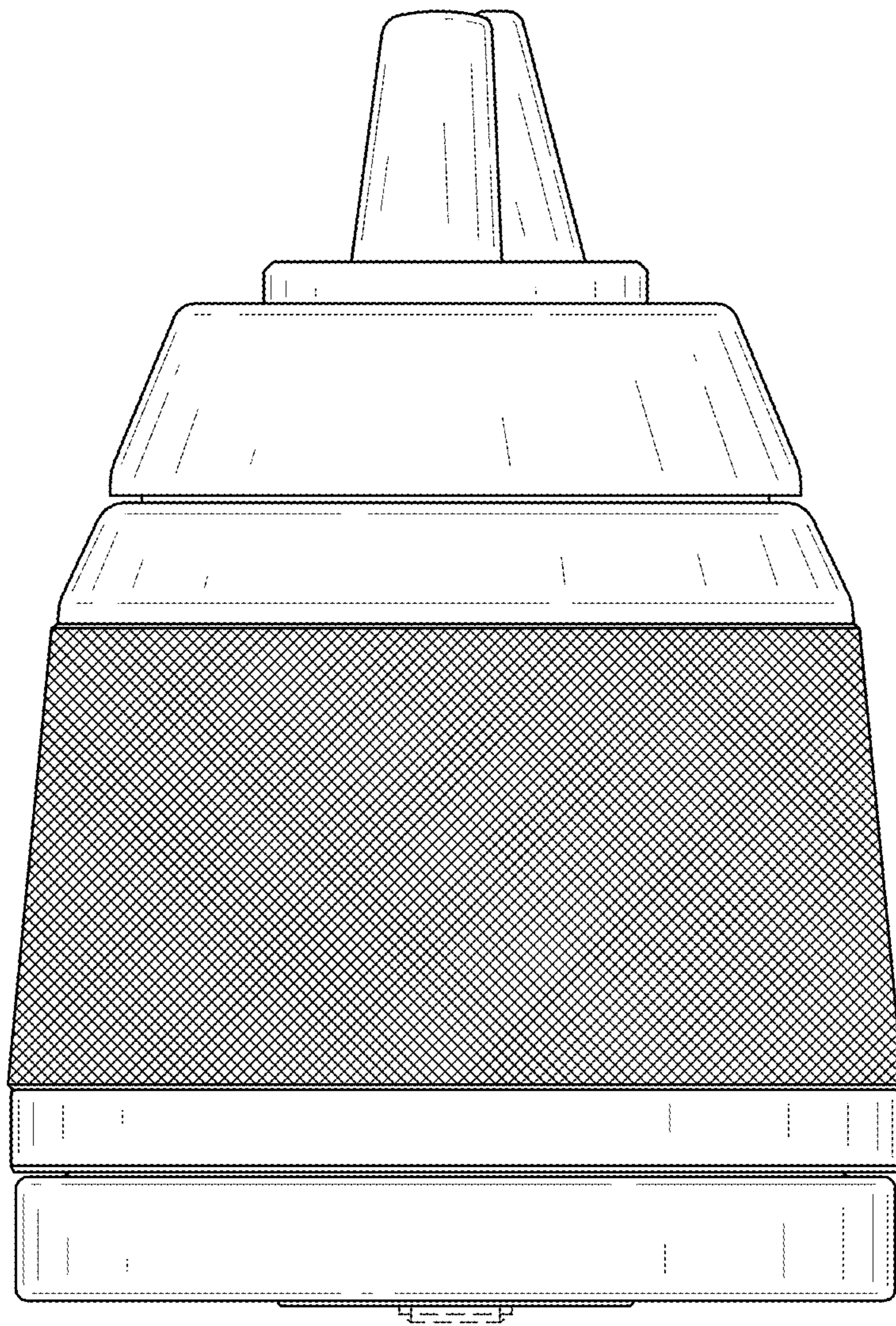


FIG.3

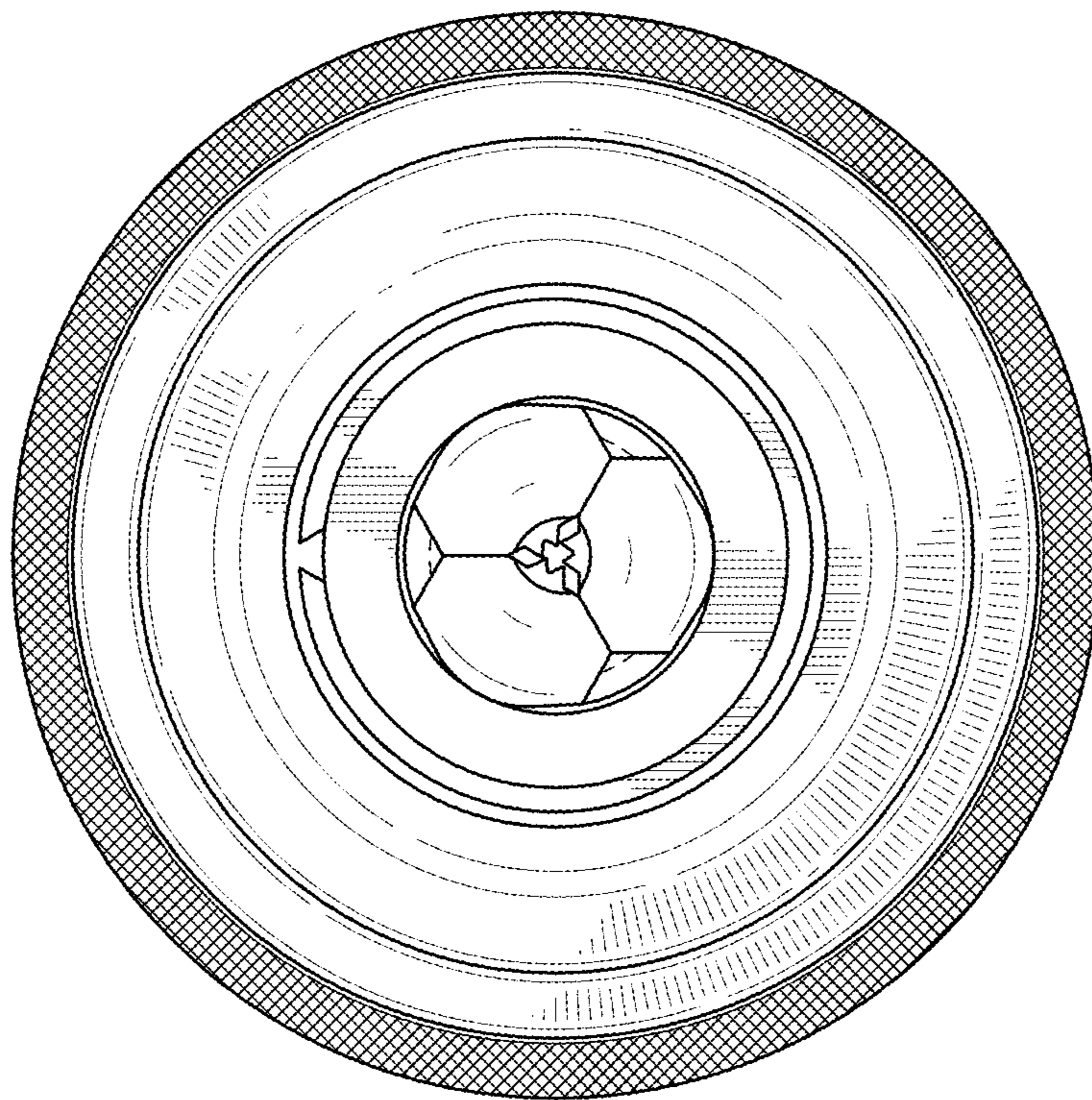


FIG.4

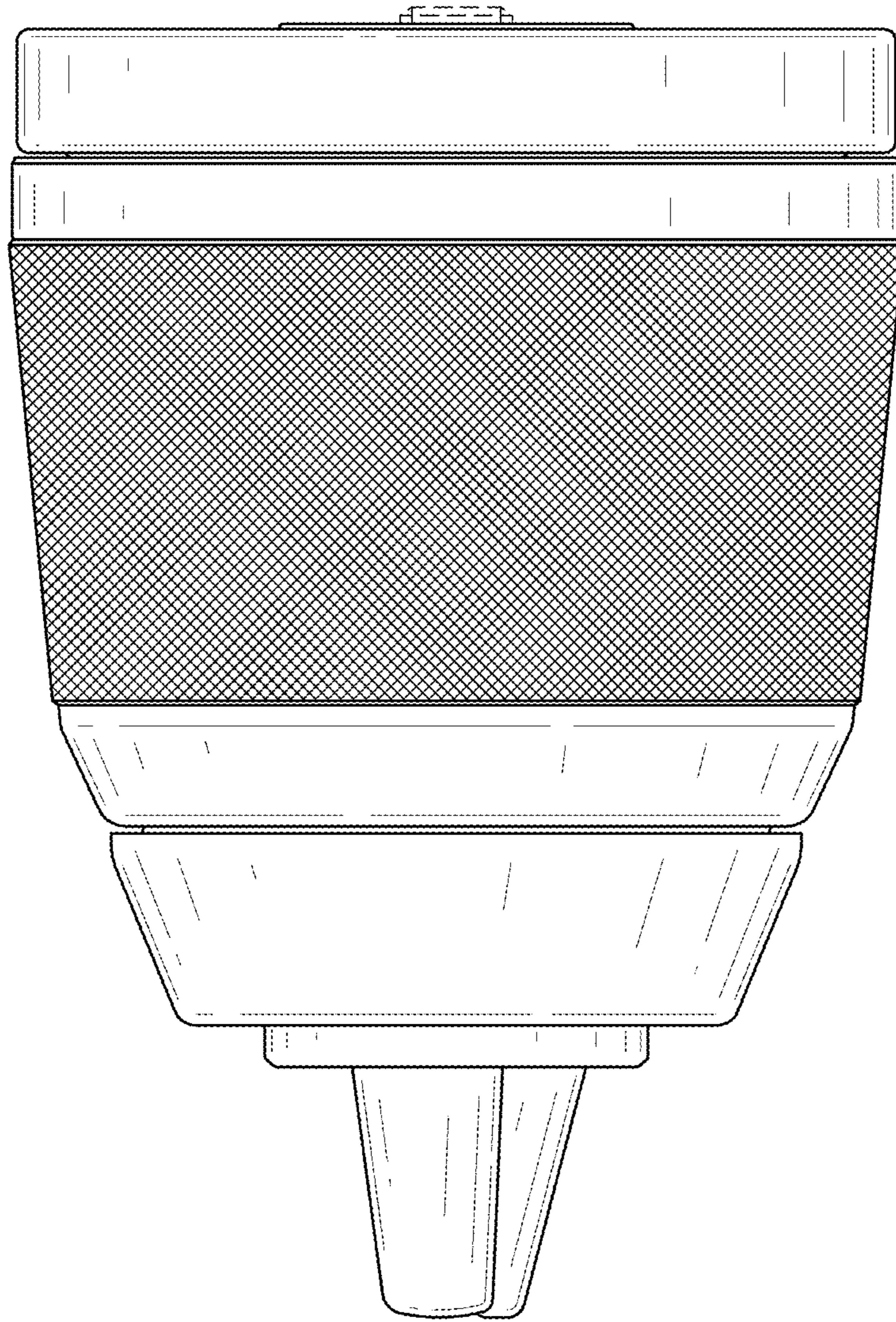


FIG.5

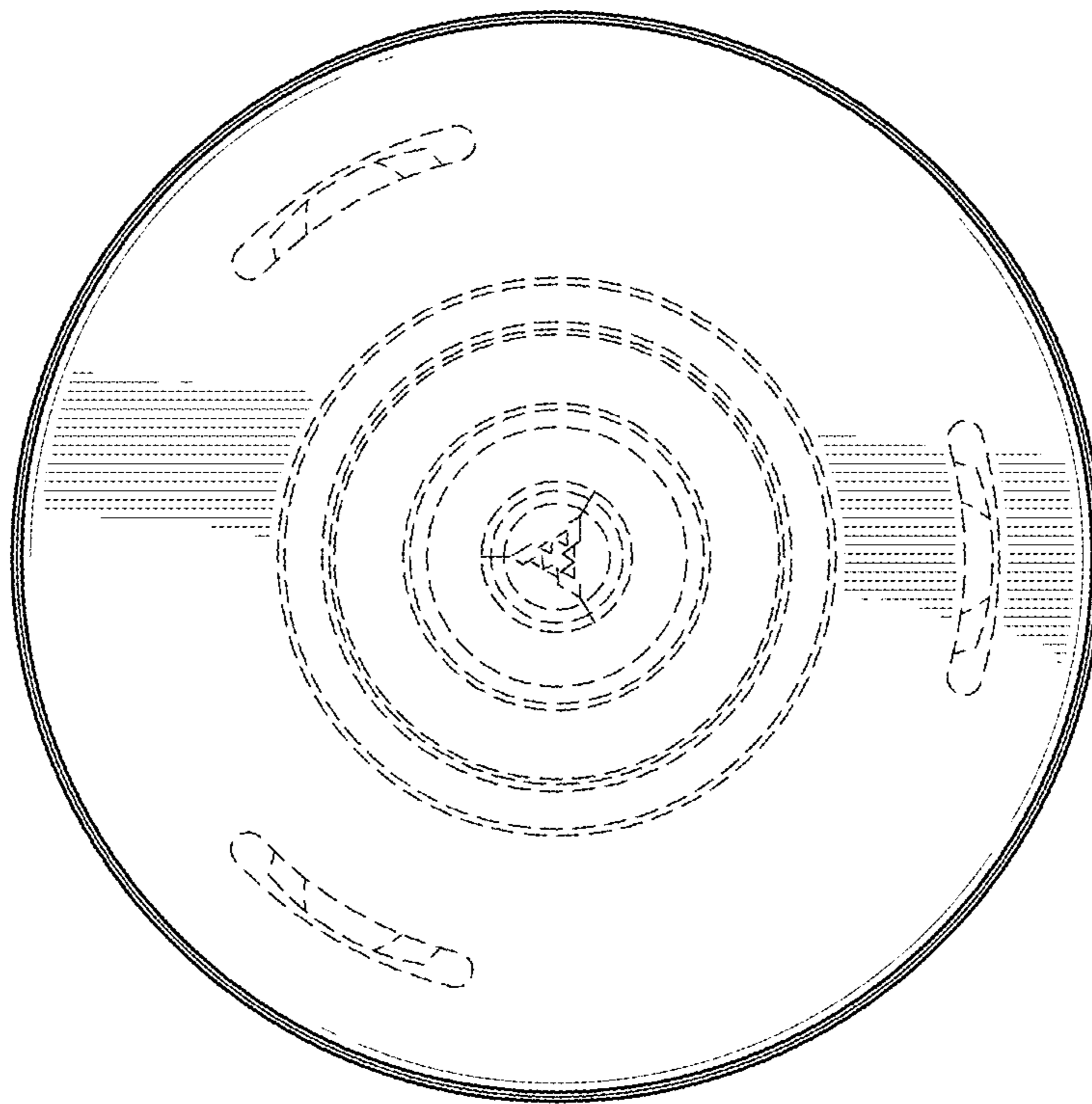


FIG.6

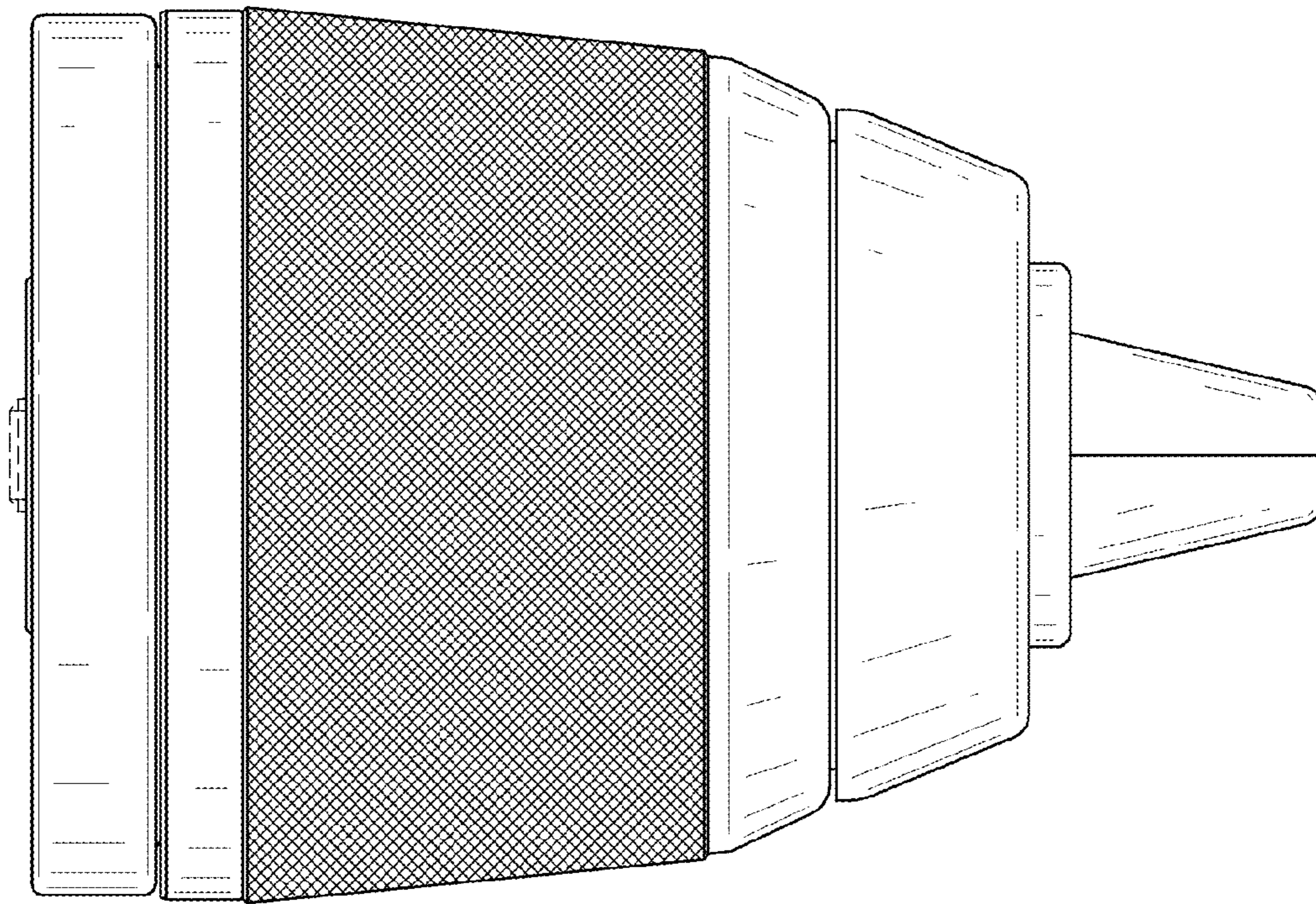


FIG.7