



US00D735547S

(12) **United States Design Patent**
Bermudez et al.

(10) **Patent No.:** **US D735,547 S**
(45) **Date of Patent:** **** Aug. 4, 2015**

(54) **BLOWER ATTACHMENT FOR A HANDHELD TOOL**

(71) Applicant: **MTD Products Inc.**, Valley City, OH (US)

(72) Inventors: **Robert Bermudez**, Gilbert, AZ (US);
Benjamin Vierck, Phoenix, AZ (US);
Mark Hunter Basenberg, Jr., Phoenix, AZ (US)

(73) Assignee: **MTD Products Inc.**, Valley City, OH (US)

(**) Term: **14 Years**

(21) Appl. No.: **29/500,574**

(22) Filed: **Aug. 26, 2014**

(51) **LOC (10) Cl.** **08-03**

(52) **U.S. Cl.**
USPC **D8/70**

(58) **Field of Classification Search**
USPC D8/14.1, 61-70; 81/429, 454-456, 469, 81/489; 173/104, 114, 168-171, 178, 201, 173/211, 213, 217; 408/20, 124, 125, 234; 388/809

CPC B23Q 11/00; B23Q 11/0046; F16D 21/00
See application file for complete search history.

(56) **References Cited**

U.S. PATENT DOCUMENTS

4,132,507	A	1/1979	Akiyama et al.	
4,913,112	A *	4/1990	Iida	123/198 E
D376,526	S *	12/1996	Hepburn	D8/70
D392,531	S *	3/1998	Richardson	D8/70
5,722,111	A	3/1998	Sowell et al.	
5,768,749	A	6/1998	Ohi et al.	
5,810,093	A	9/1998	Howard	
5,894,630	A	4/1999	Bitner et al.	
6,105,206	A	8/2000	Tokumaru et al.	
D513,161	S *	12/2005	Chilton	D8/70
7,739,773	B2	6/2010	Schliemann et al.	

7,845,048	B1	12/2010	Bailey et al.	
7,896,612	B2	3/2011	Schliemann et al.	
8,266,762	B2	9/2012	Hsu	
8,267,648	B2	9/2012	Kenyon et al.	
D677,545	S *	3/2013	Sell	D8/70
D677,547	S *	3/2013	Rosenau et al.	D8/70
D677,548	S *	3/2013	Rosenau et al.	D8/70
D678,028	S *	3/2013	Rosenau et al.	D8/70
D694,082	S *	11/2013	Wrobel	D8/70
D719,806	S *	12/2014	Wiedemann	D8/70
2005/0111214	A1 *	5/2005	Zeiler	362/119
2008/0301902	A1	12/2008	Gloger et al.	
2010/0162518	A1	7/2010	Ward	
2010/0226802	A1	9/2010	Kawamura et al.	
2011/0131815	A1	6/2011	Hurley	
2012/0076672	A1 *	3/2012	Binder	417/234
2013/0052045	A1 *	2/2013	Harris	417/53
2013/0185892	A1	7/2013	Walker	
2013/0239361	A1	9/2013	Pellenc	

* cited by examiner

Primary Examiner — Philip S Hyder

Assistant Examiner — Darlington Ly

(74) *Attorney, Agent, or Firm* — Wegman, Hessler & Vanderburg

(57) **CLAIM**

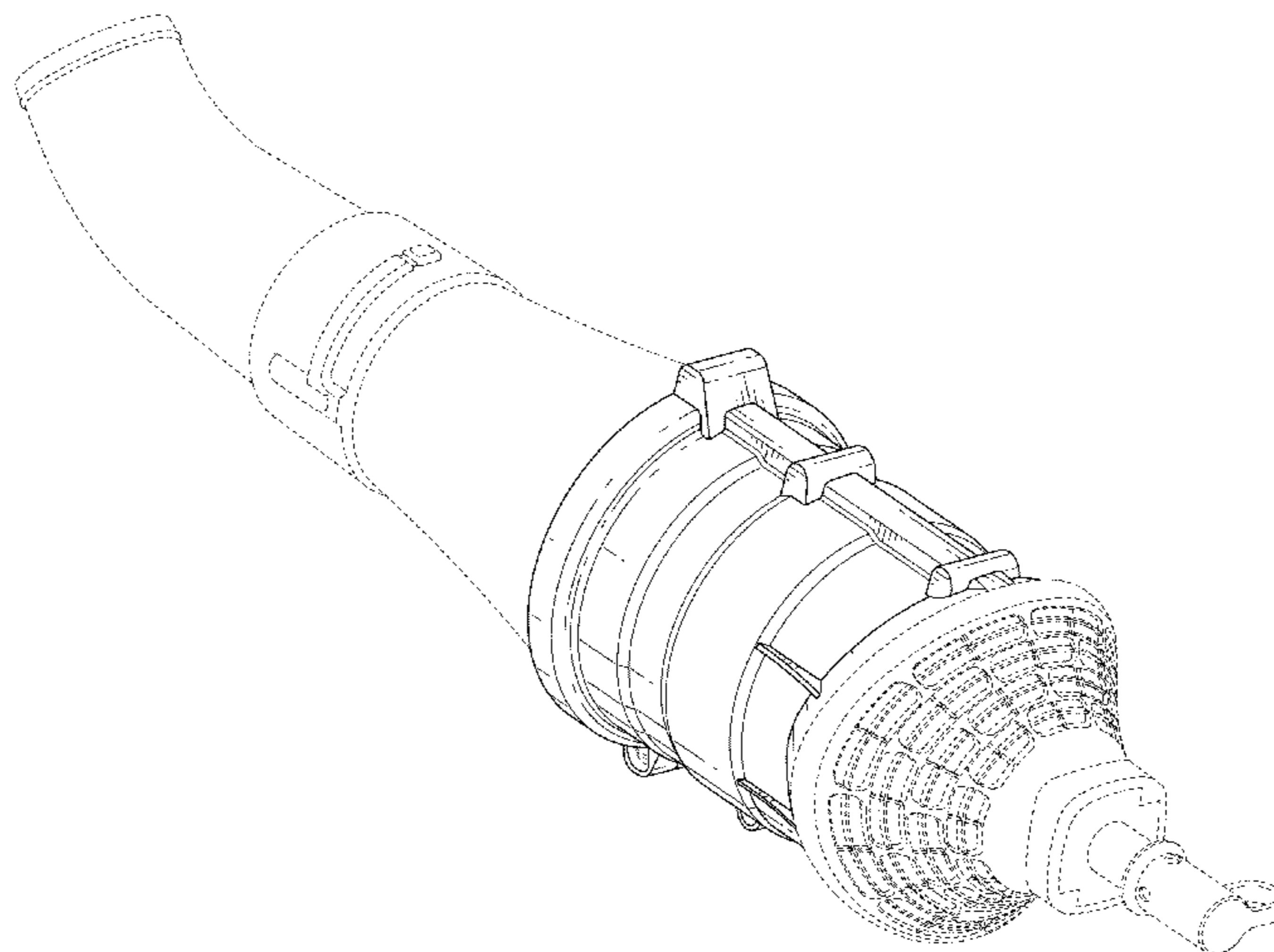
The ornamental design for a blower attachment for a handheld tool, as shown and described.

DESCRIPTION

FIG. 1 is a top perspective view of a blower attachment for a handheld tool of the present invention; FIG. 2 is a right side view thereof; FIG. 3 is a left side view thereof; FIG. 4 is a top view thereof; FIG. 5 is a bottom view thereof; FIG. 6 is a rear view thereof; and, FIG. 7 is a front view thereof.

The broken lines shown in the drawings illustrate portions of the blower attachment for a handheld tool that forms no part of the claimed design.

1 Claim, 4 Drawing Sheets



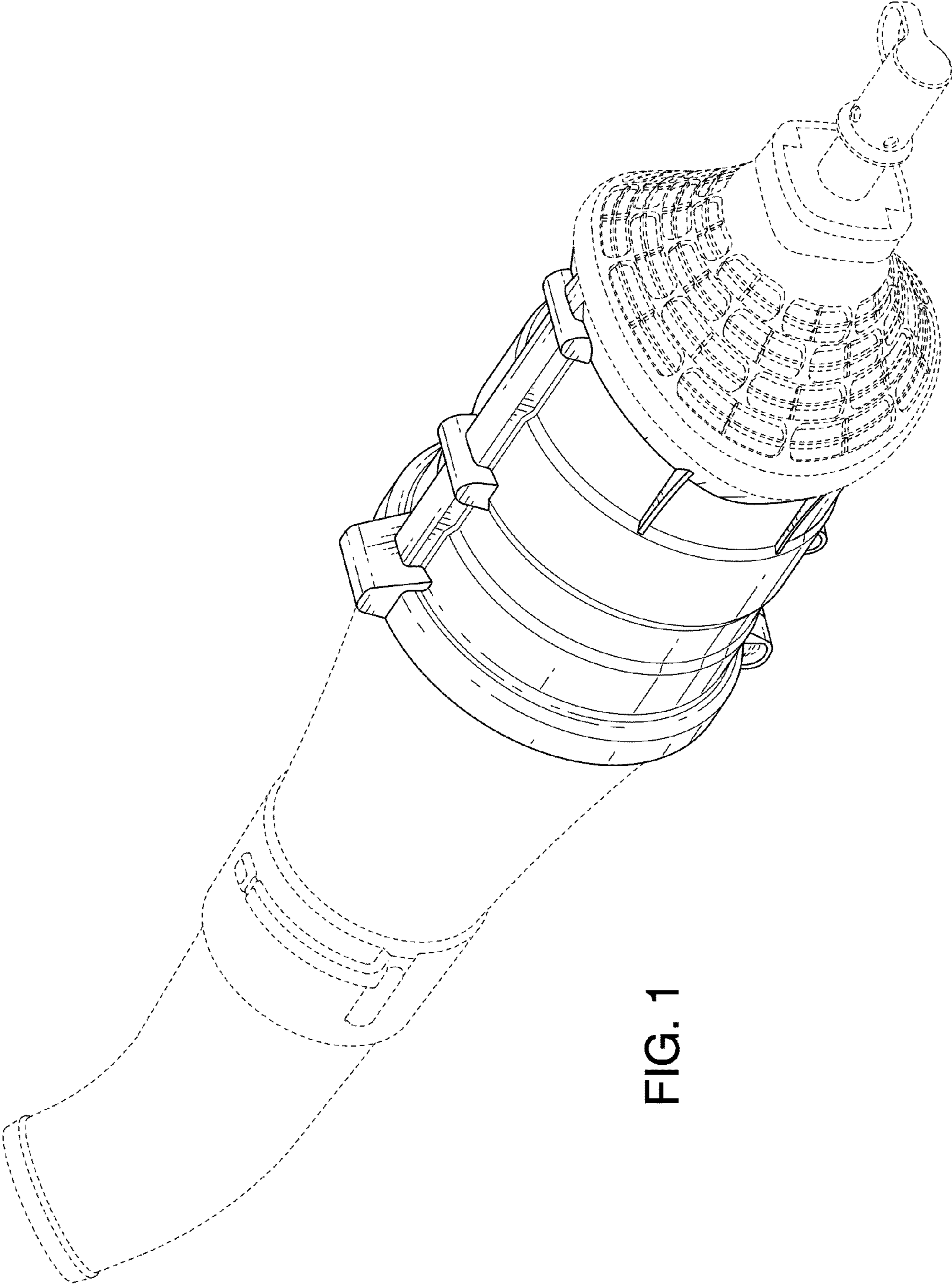


FIG. 1

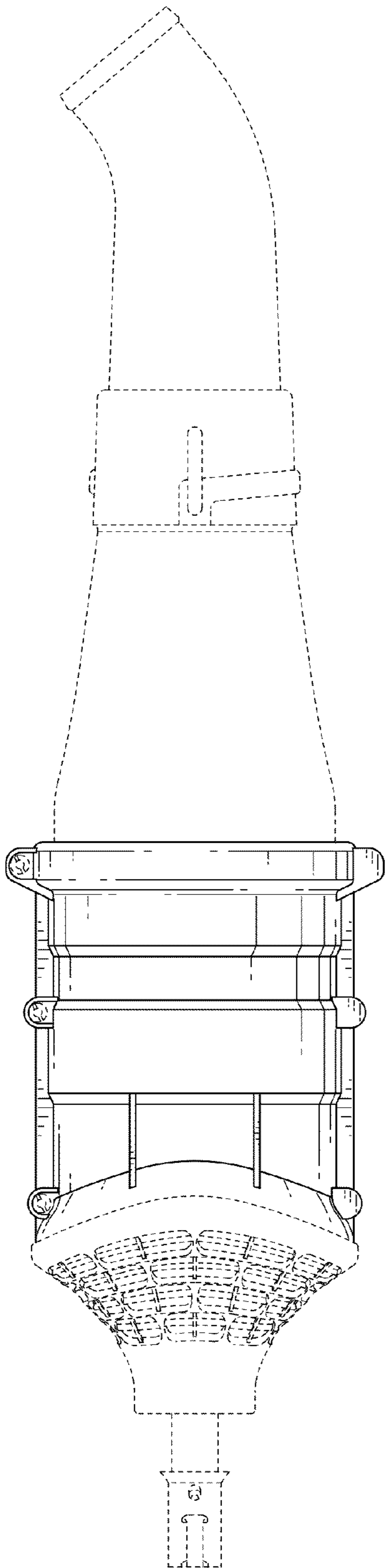


FIG. 2

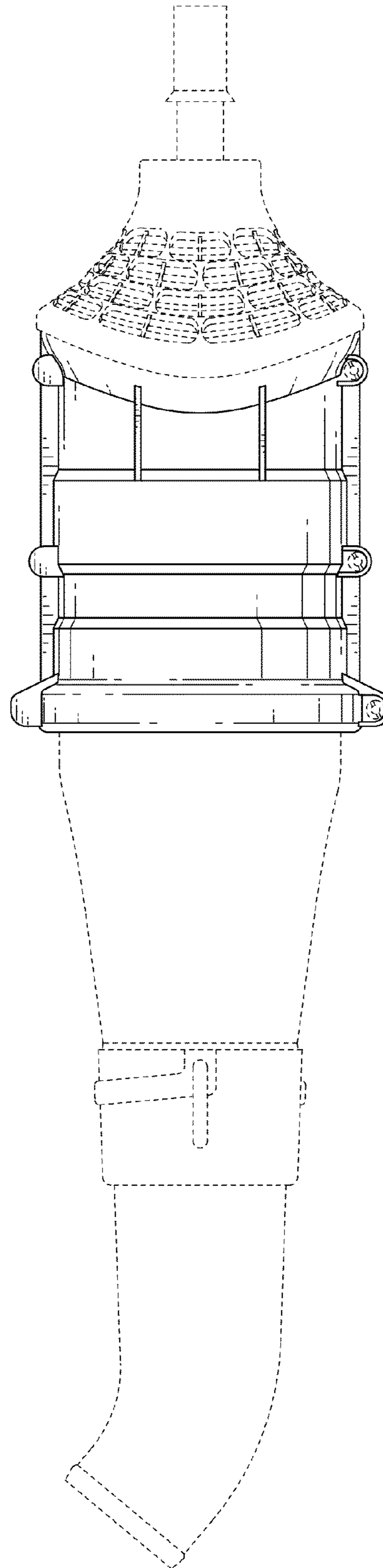


FIG. 3

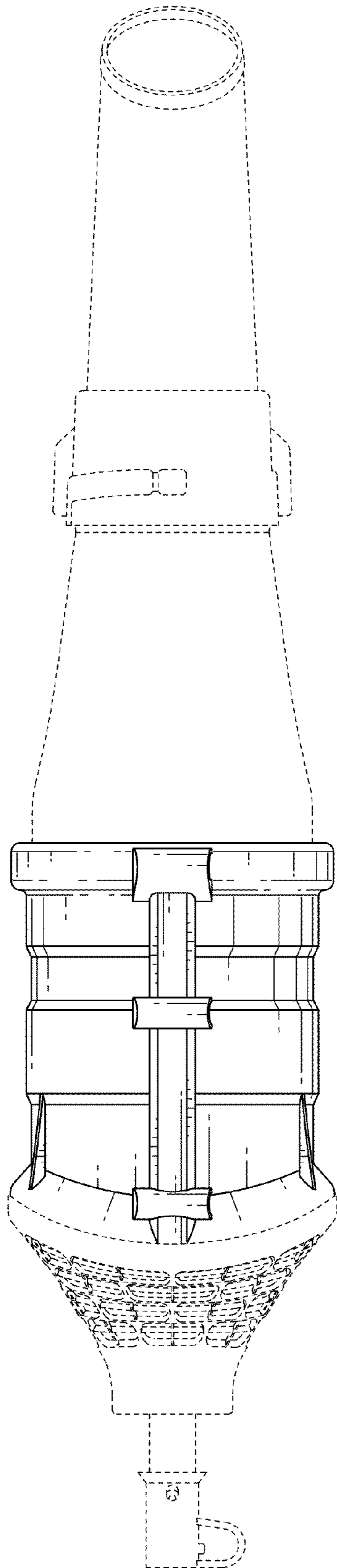


FIG. 4

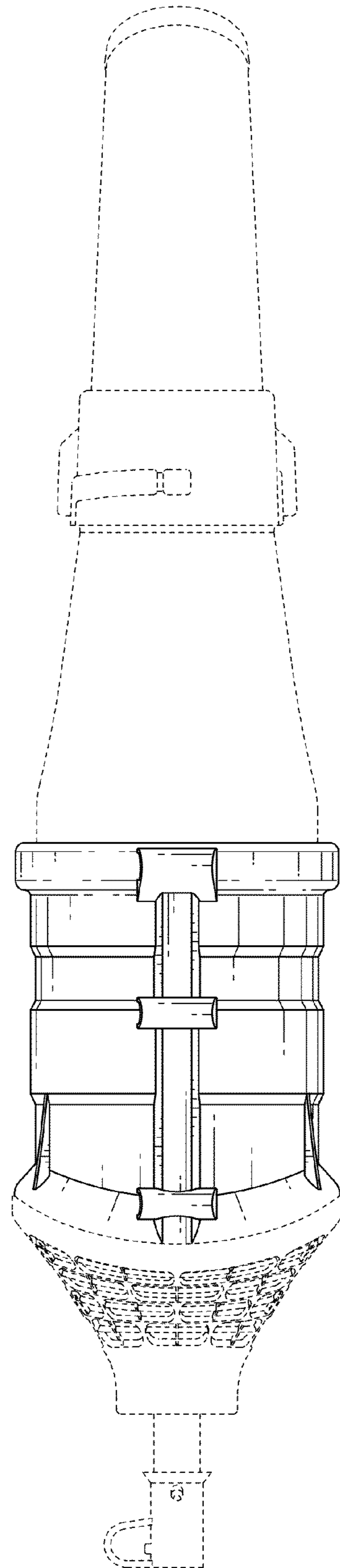


FIG. 5

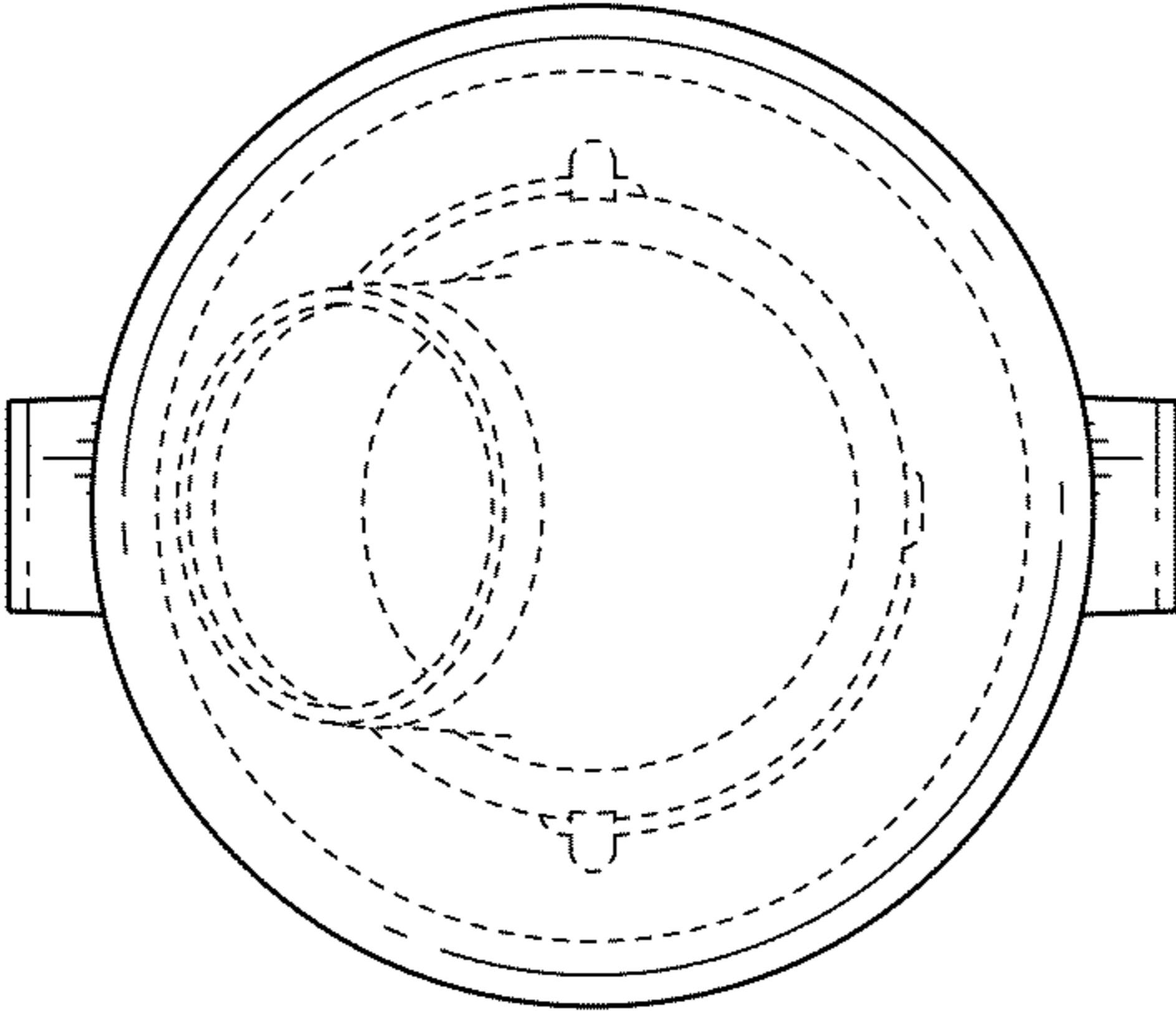


FIG. 7

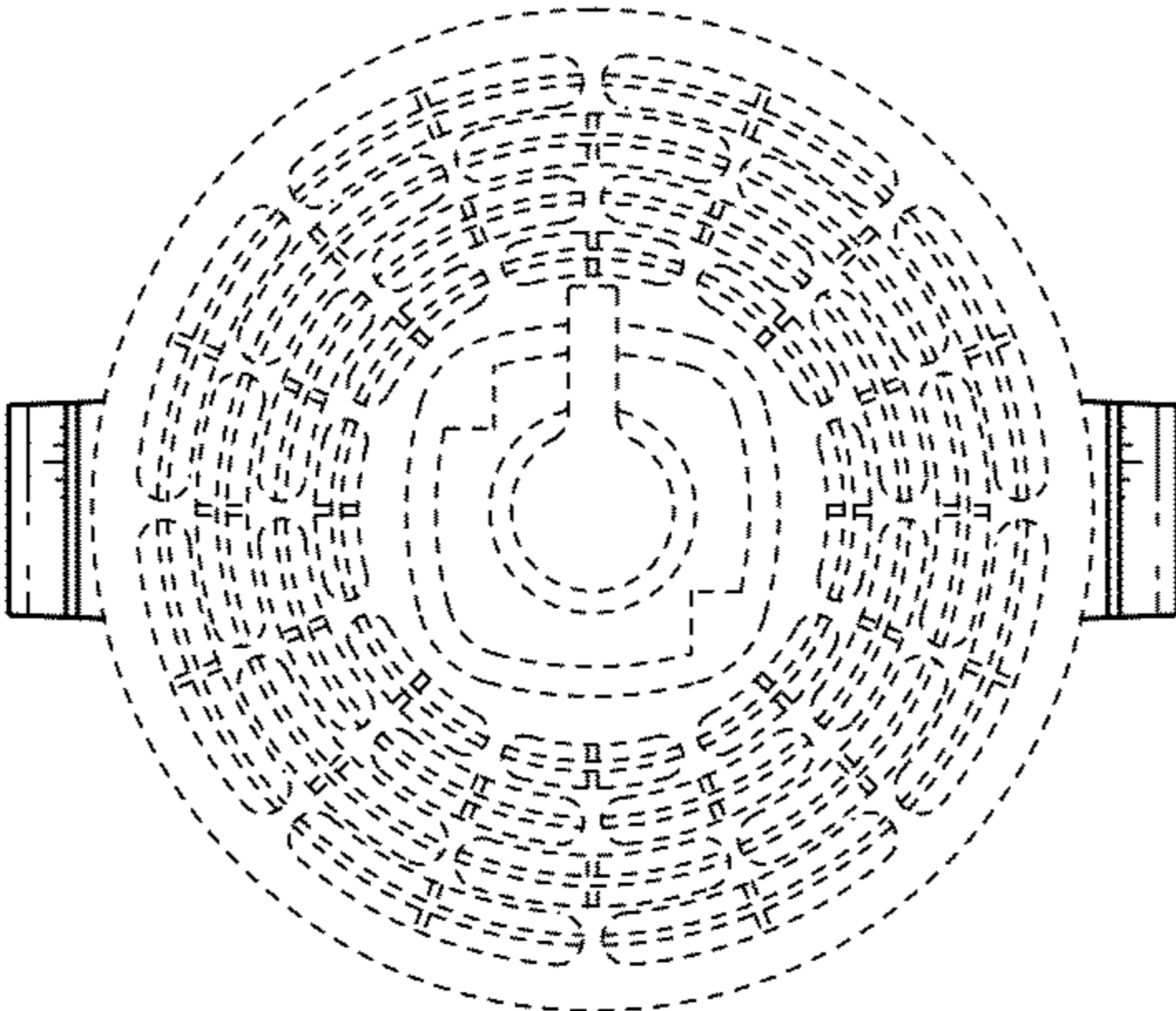


FIG. 6