



US00D735542S

(12) **United States Design Patent**
Nelson

(10) **Patent No.:** **US D735,542 S**

(45) **Date of Patent:** **** Aug. 4, 2015**

(54) **COMBINATION FIVE GALLON BUCKET
OPENER**

(56) **References Cited**

U.S. PATENT DOCUMENTS

(71) Applicant: **Michael R. Nelson**, Peachtree City, GA
(US)

D245,393 S * 8/1977 Madsen et al. D8/18

D254,834 S * 4/1980 Madsen et al. D8/18

D296,411 S * 6/1988 Madsen et al. D8/18

D304,992 S * 12/1989 Matthies D8/40

D319,954 S * 9/1991 Able et al. D8/18

5,069,090 A * 12/1991 Clark 81/3.09

D382,453 S * 8/1997 Drinkwater D8/40

D422,860 S * 4/2000 Vinar D8/40

D501,773 S * 2/2005 Kohn D8/40

D601,395 S * 10/2009 Burton D8/40

(72) Inventor: **Michael R. Nelson**, Peachtree City, GA
(US)

(73) Assignee: **Homer TLC, Inc.**, Wilmington, DE
(US)

* cited by examiner

(**) Term: **14 Years**

Primary Examiner — Phillip S Hyder

(21) Appl. No.: **29/464,166**

(74) *Attorney, Agent, or Firm* — Norton Rose Fulbright US
LLP

(22) Filed: **Aug. 13, 2013**

(57) **CLAIM**

The ornamental design for a combination five gallon bucket
opener, as shown and described.

Related U.S. Application Data

DESCRIPTION

(62) Division of application No. 29/426,200, filed on Jul. 2,
2012, now Pat. No. Des. 687,687.

(51) **LOC (10) Cl.** **08-05**

(52) **U.S. Cl.**
USPC **D8/14; D8/40**

(58) **Field of Classification Search**
USPC D8/14, 16–19, 333–43, 88, 89, 105;
7/113, 151–156; 30/400–410,
30/416–430, 433, 434, 443, 450; 81/3.07,
81/3.09, 3.2, 3.27, 3.29, 3.31, 3.35, 3.37,
81/3.4, 3.45, 3.48, 3.49, 3.55

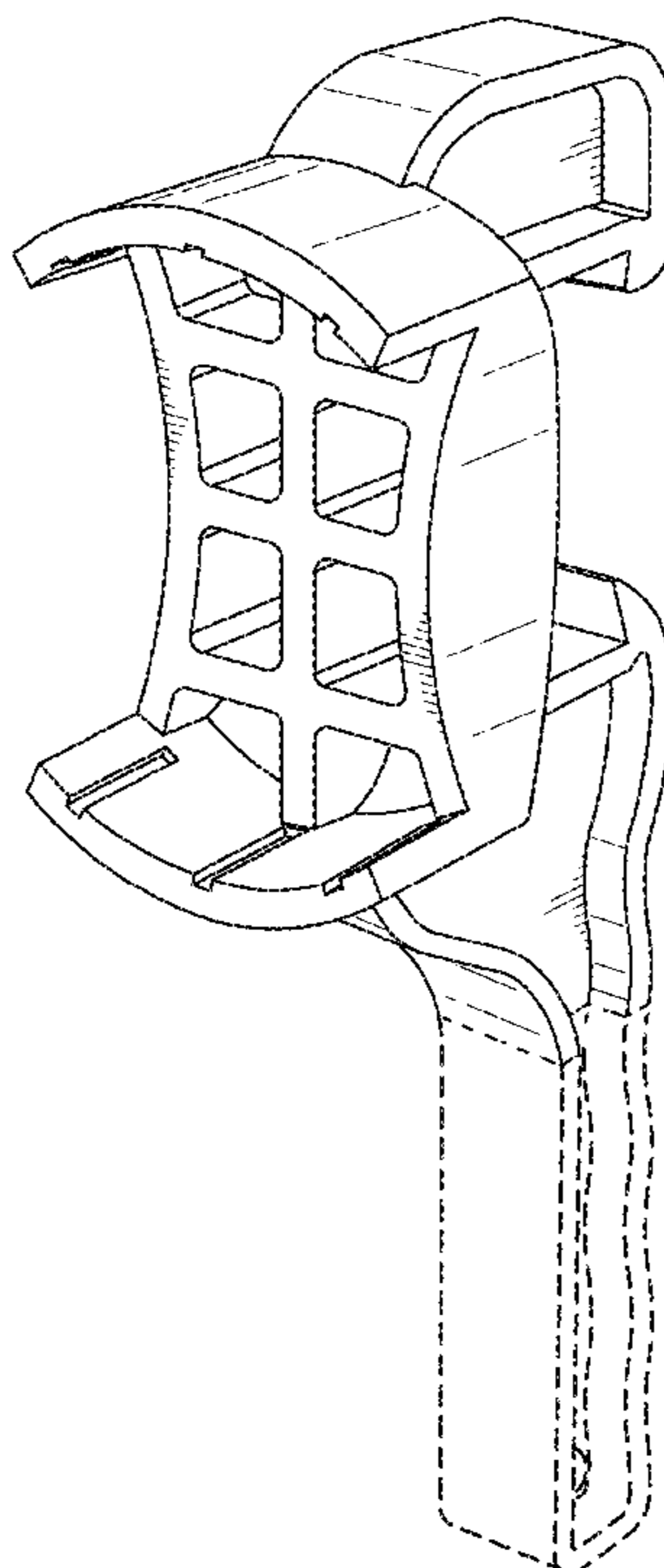
FIG. 1 is a front, right side perspective view of the design.
FIG. 2 is a right side elevation view of the design of FIG. 1, the
left side elevation view being a mirror image thereof.

FIG. 3 is a left, rear perspective view of the design of FIG. 1.
FIG. 4 is a rear elevation view of the design of FIG. 1; and,
FIG. 5 is a front elevation view of the design of FIGS. 1.

The broken lines in FIGS. 1-5 delineating where the claimed
and unclaimed portions of the article meet, depict a boundary
that forms no part of the claimed design. The rest of the
broken lines in FIGS. 1-5 depict portions of the bucket opener
in which the design is embodied that are not considered part
of the claimed design.

See application file for complete search history.

1 Claim, 3 Drawing Sheets



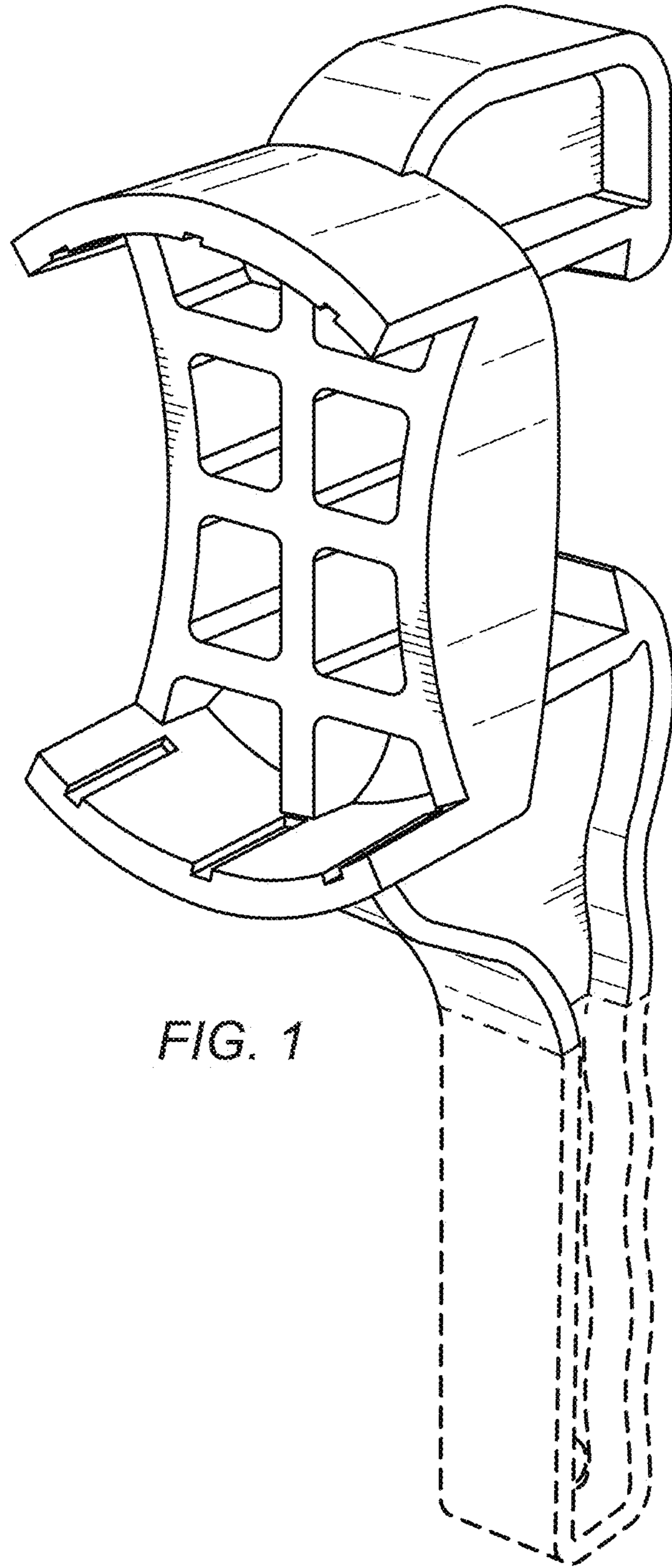


FIG. 1

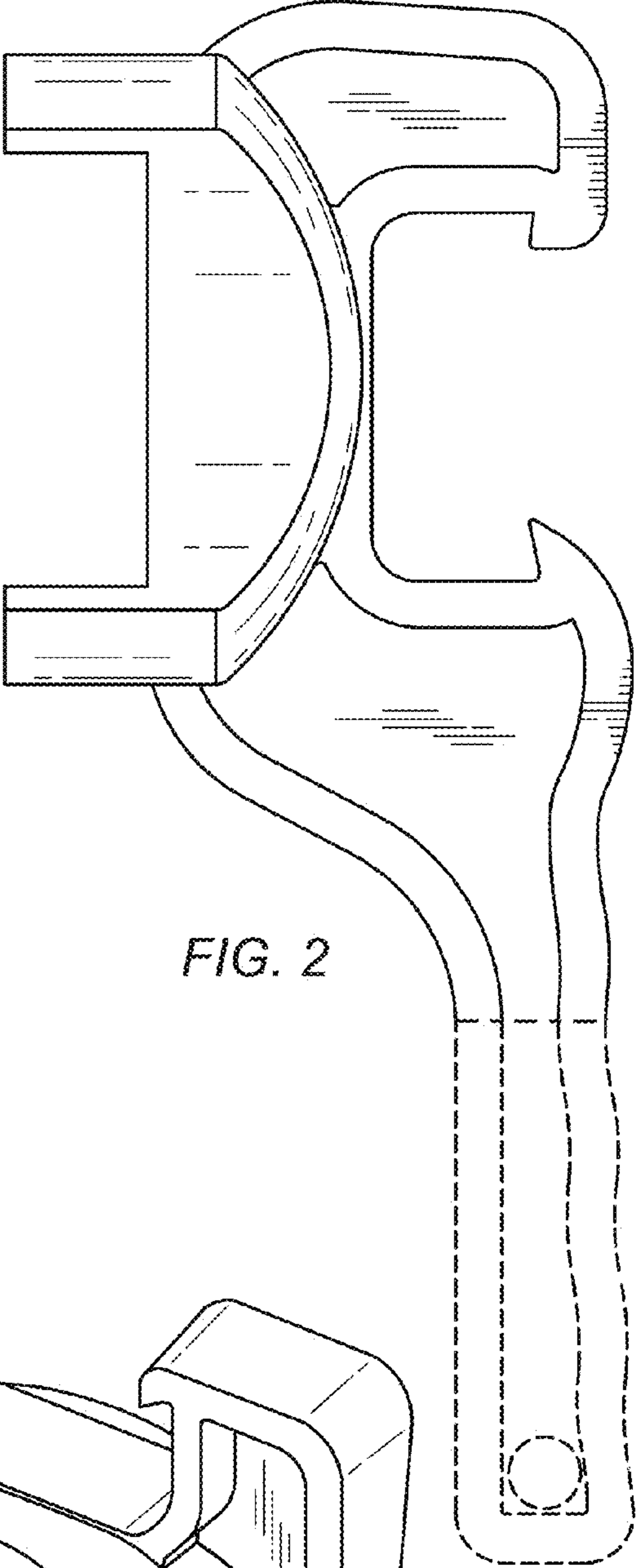


FIG. 2

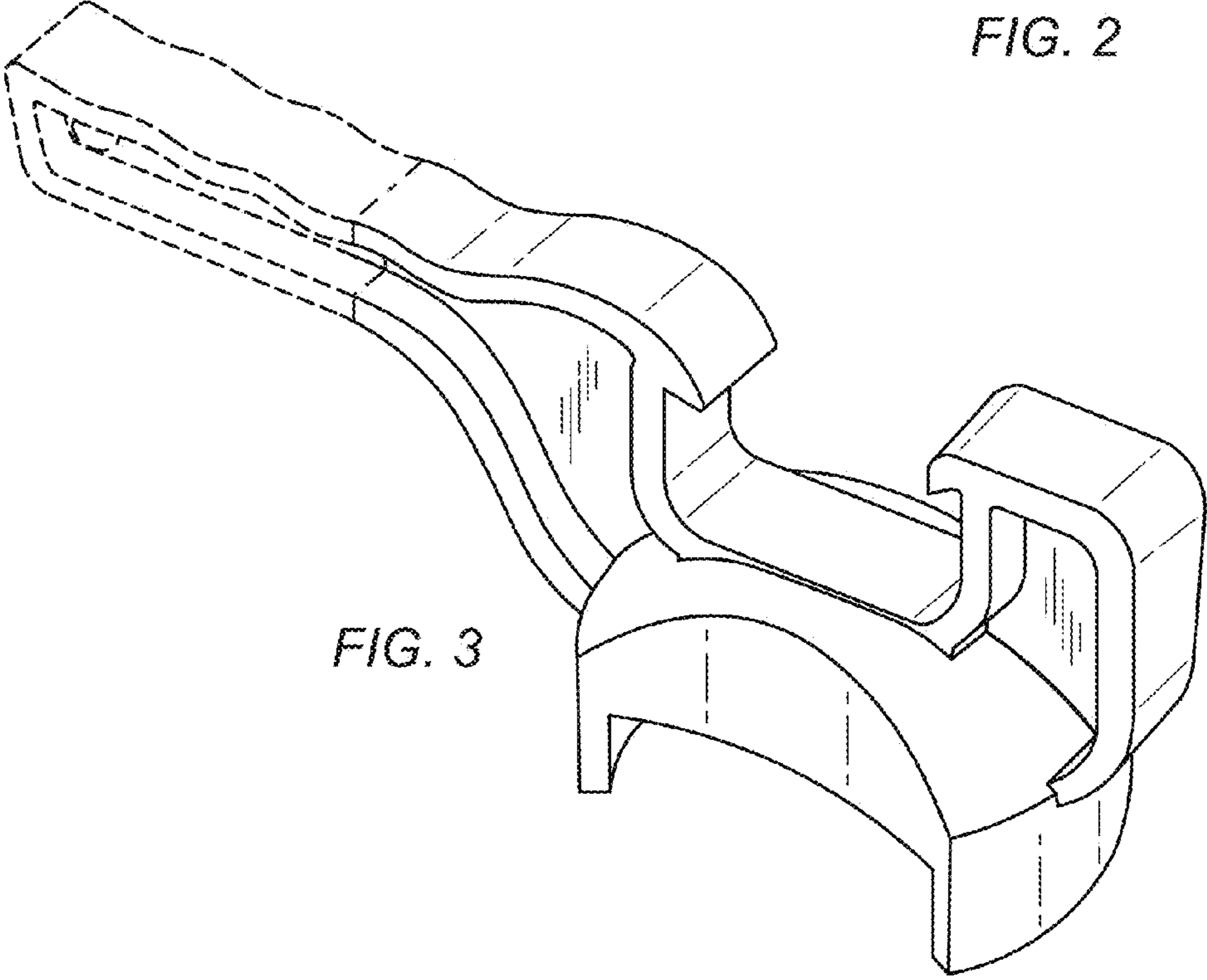


FIG. 3

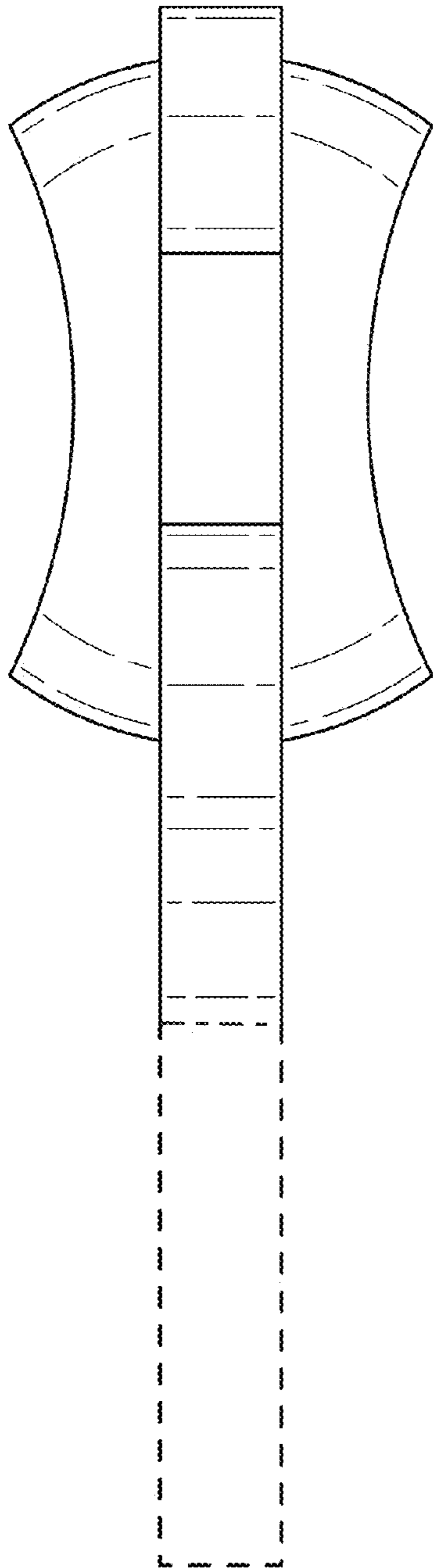


FIG. 4

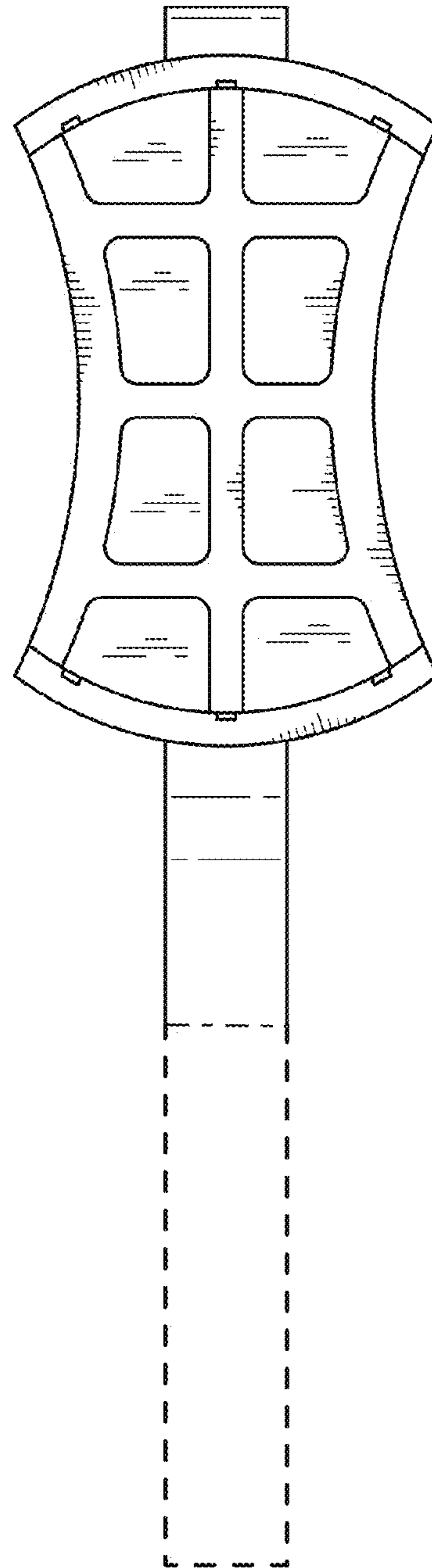


FIG. 5