



US00D735537S

(12) **United States Design Patent**
Cohen

(10) **Patent No.:** **US D735,537 S**

(45) **Date of Patent:** **** Aug. 4, 2015**

(54) **JUICE EXTRACTOR**

(71) Applicant: **Yechiel Cohen**, Carmiel (IL)

(72) Inventor: **Yechiel Cohen**, Carmiel (IL)

(**) Term: **14 Years**

(21) Appl. No.: **29/478,832**

(22) Filed: **Jan. 9, 2014**

(30) **Foreign Application Priority Data**

Jul. 9, 2013 (IL) 54294

(51) **LOC (10) Cl.** **07-04**

(52) **U.S. Cl.**
USPC **D7/666**

(58) **Field of Classification Search**
USPC D7/368, 665-667, 412, 376-386, 372,
D7/373, 375, 374; 241/92, 401.1-101.73,
241/285.1-285.3, 36, 37.5, 100, 282.1;
99/495, 501-513, 499; 100/125, 213,
100/283, 218, 288, 208
CPC A47J 19/02; A47J 44/00; A47J 44/02;
A47J 43/00; A47J 43/25; A47J 43/046;
A47J 43/0722; A47J 31/00; A47J 31/005;
A47J 31/02; A47J 31/04

See application file for complete search history.

(56) **References Cited**

U.S. PATENT DOCUMENTS

5,970,859	A *	10/1999	Lee	99/507
6,148,719	A *	11/2000	Poltielov	99/544
D447,390	S *	9/2001	Lee	D7/666
6,321,644	B1 *	11/2001	Kao	100/125
D458,518	S *	6/2002	Zarlengo	D7/666
D558,002	S *	12/2007	Meyer	D7/672

* cited by examiner

Primary Examiner — Terry Wallace

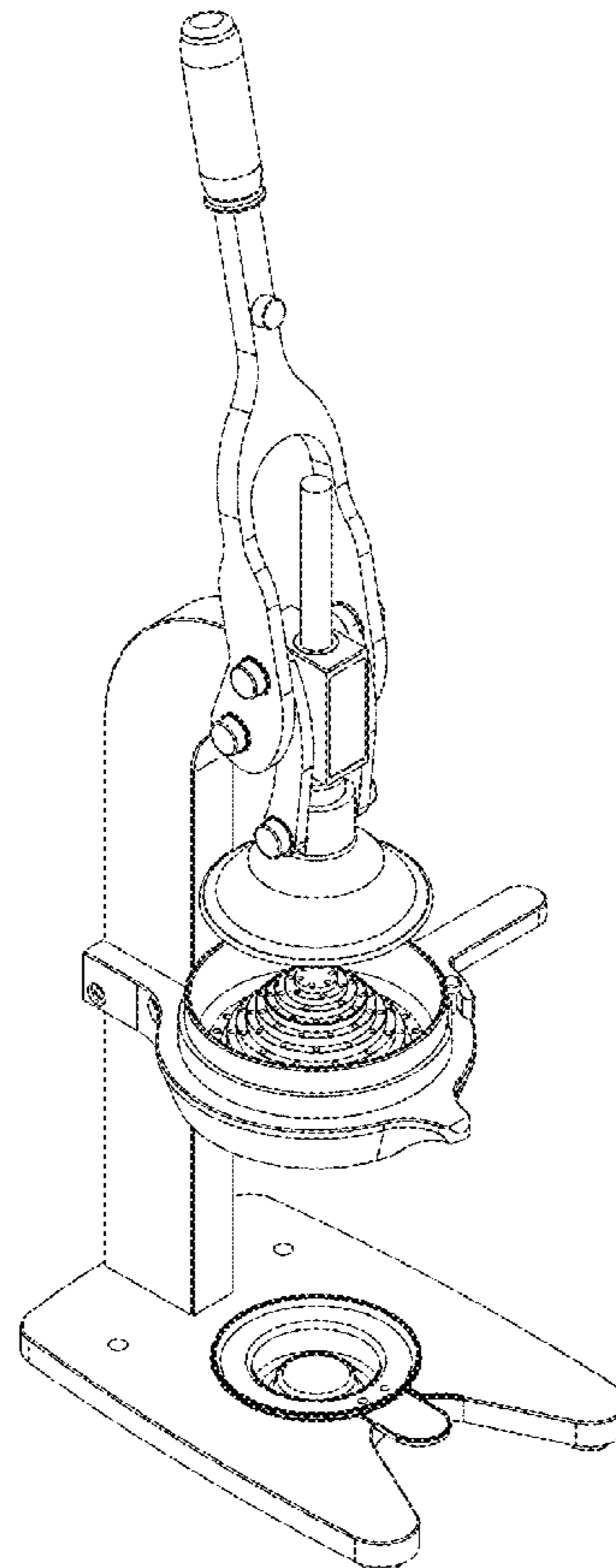
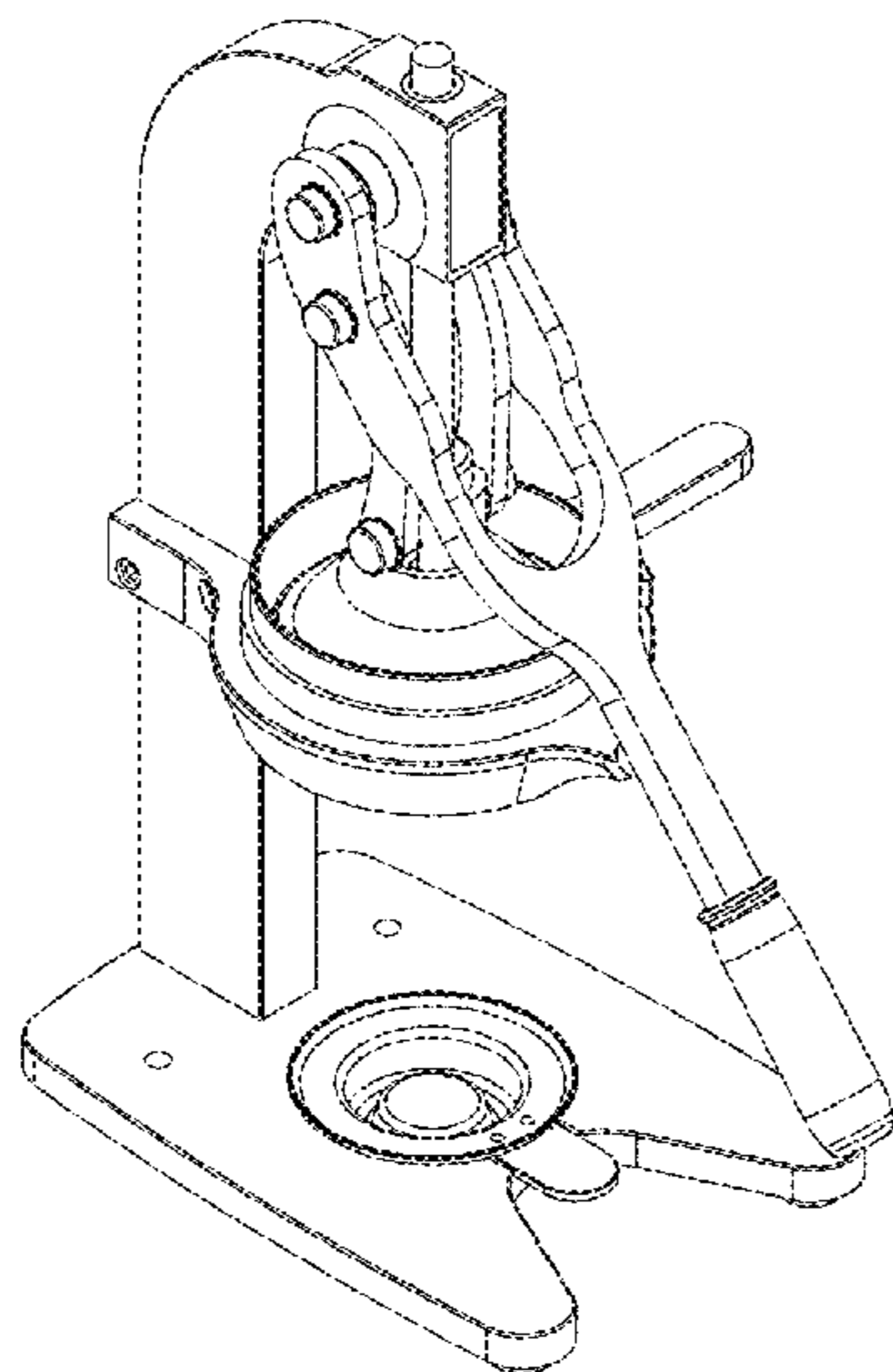
(57) **CLAIM**

The ornamental design for a juice extractor, as shown and described.

DESCRIPTION

FIG. 1 is a perspective view of a juice extractor in a closed configuration;
FIG. 2 is a perspective view thereof in an open configuration;
FIG. 3 is front view thereof;
FIG. 4 is a right view thereof;
FIG. 5 is a rear view thereof;
FIG. 6 is a left view thereof;
FIG. 7 is a top view thereof; and,
FIG. 8 is a bottom view thereof.

1 Claim, 4 Drawing Sheets



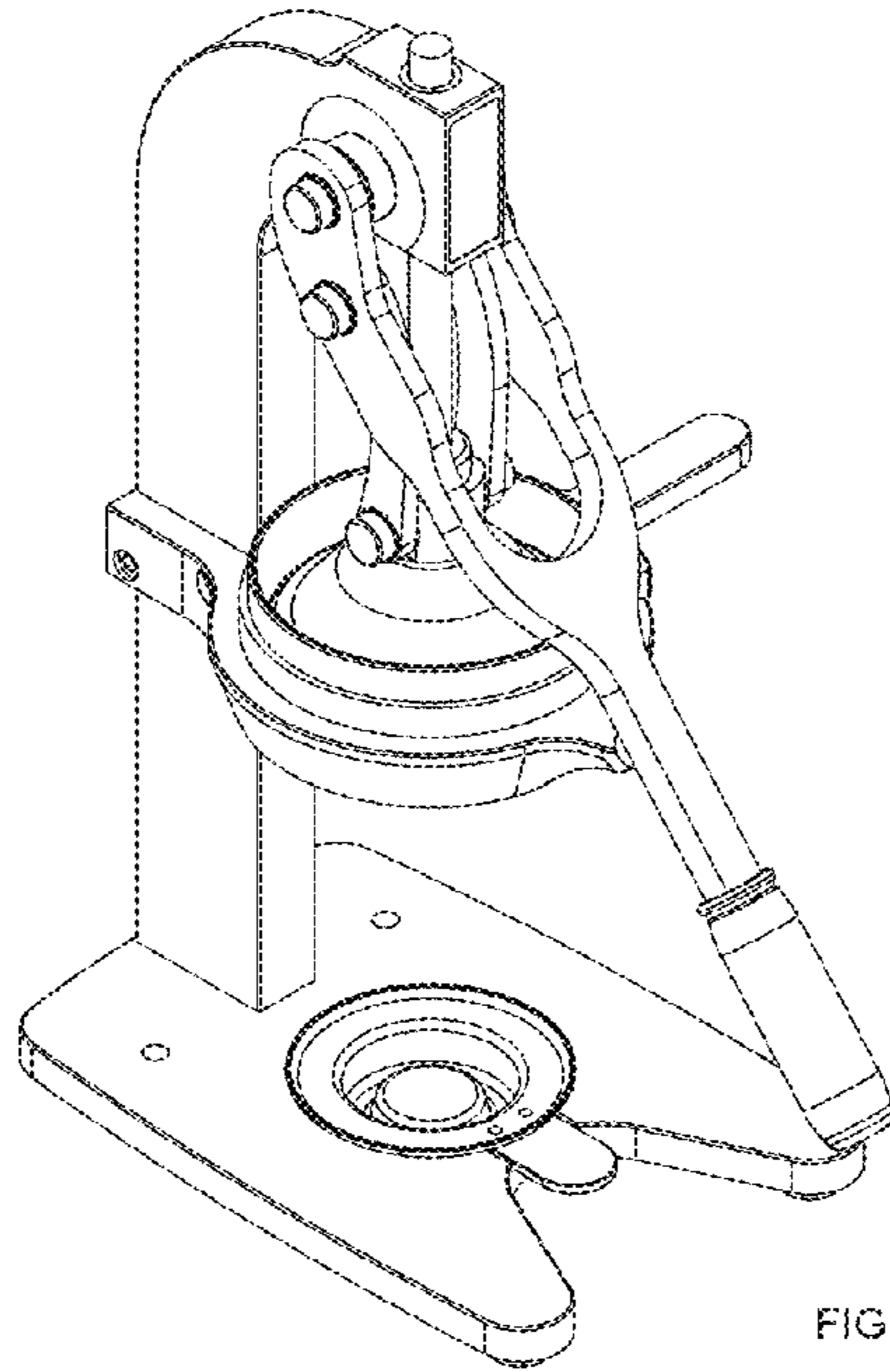


FIG. 1

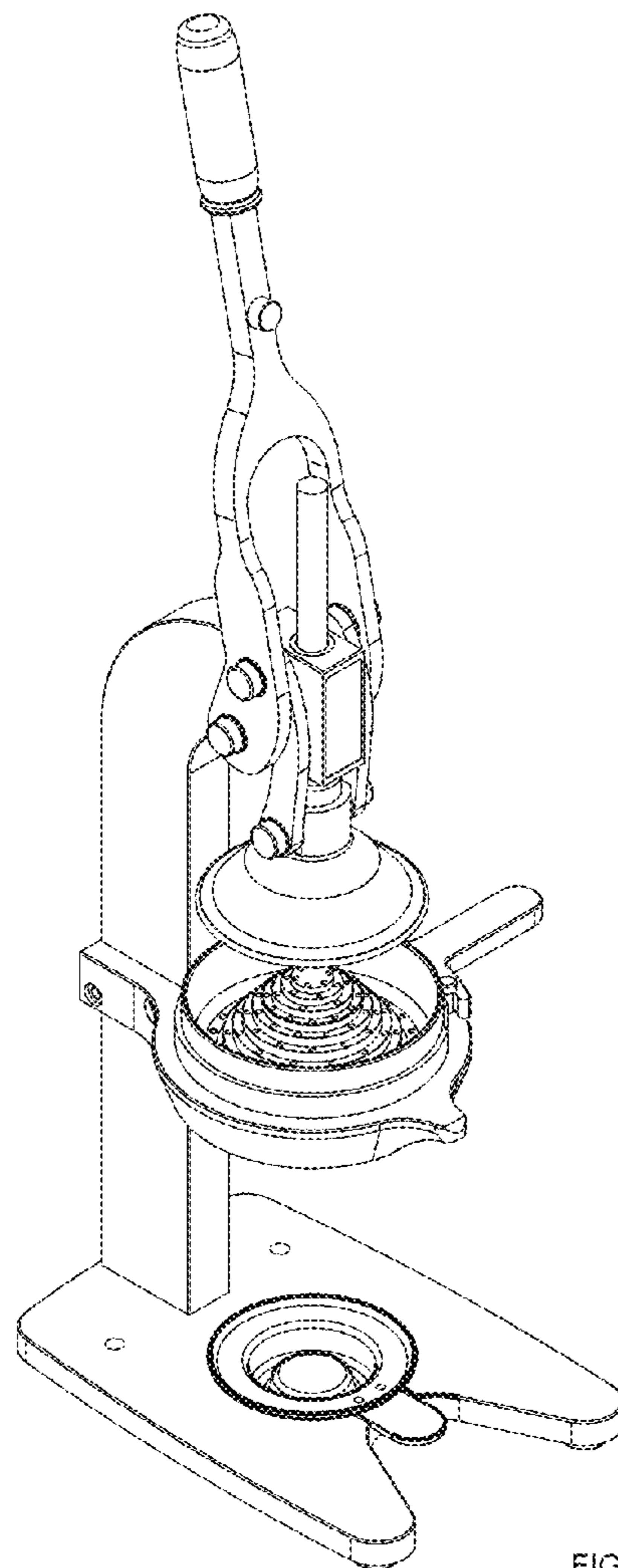


FIG. 2

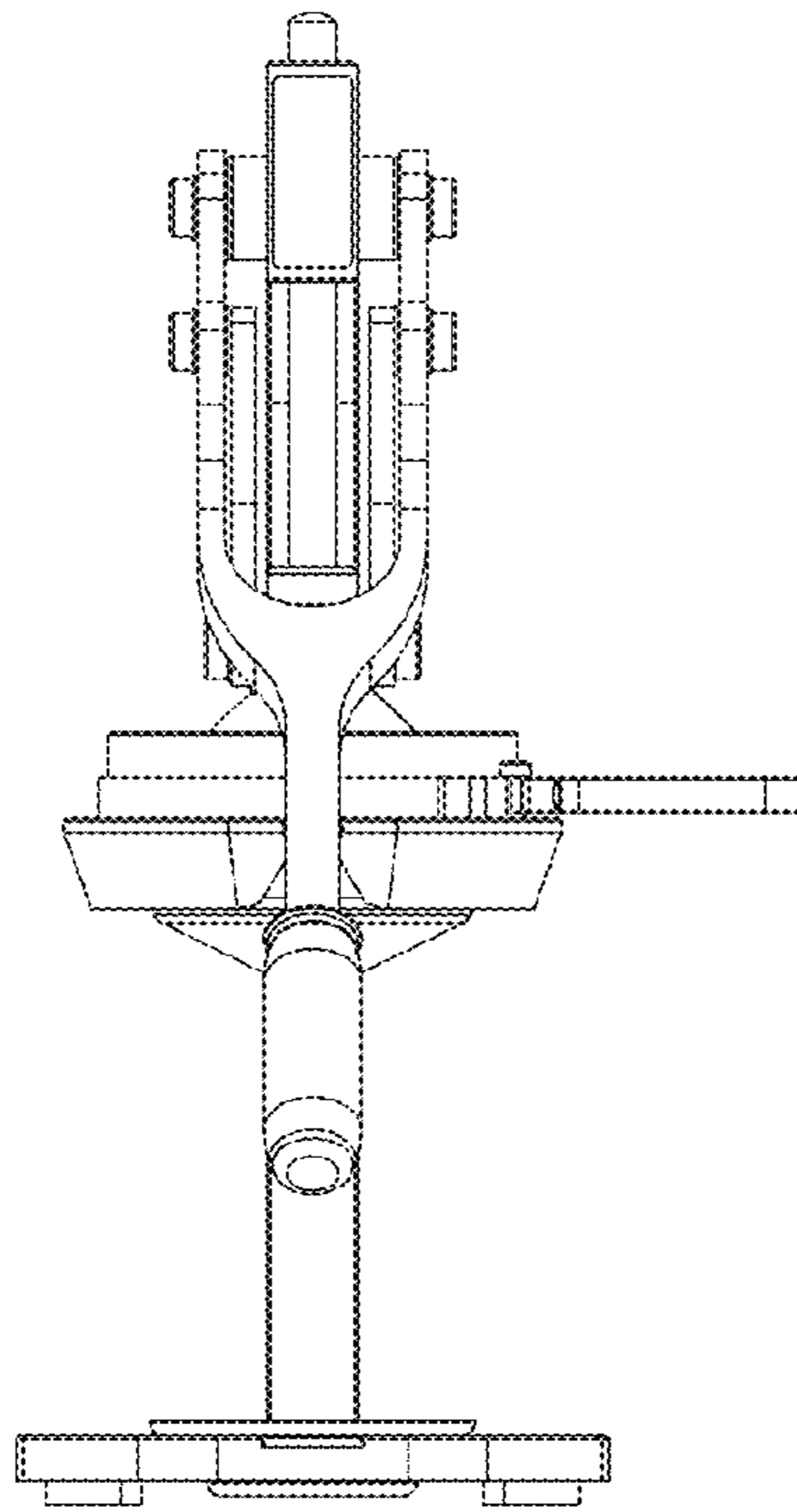


FIG. 3

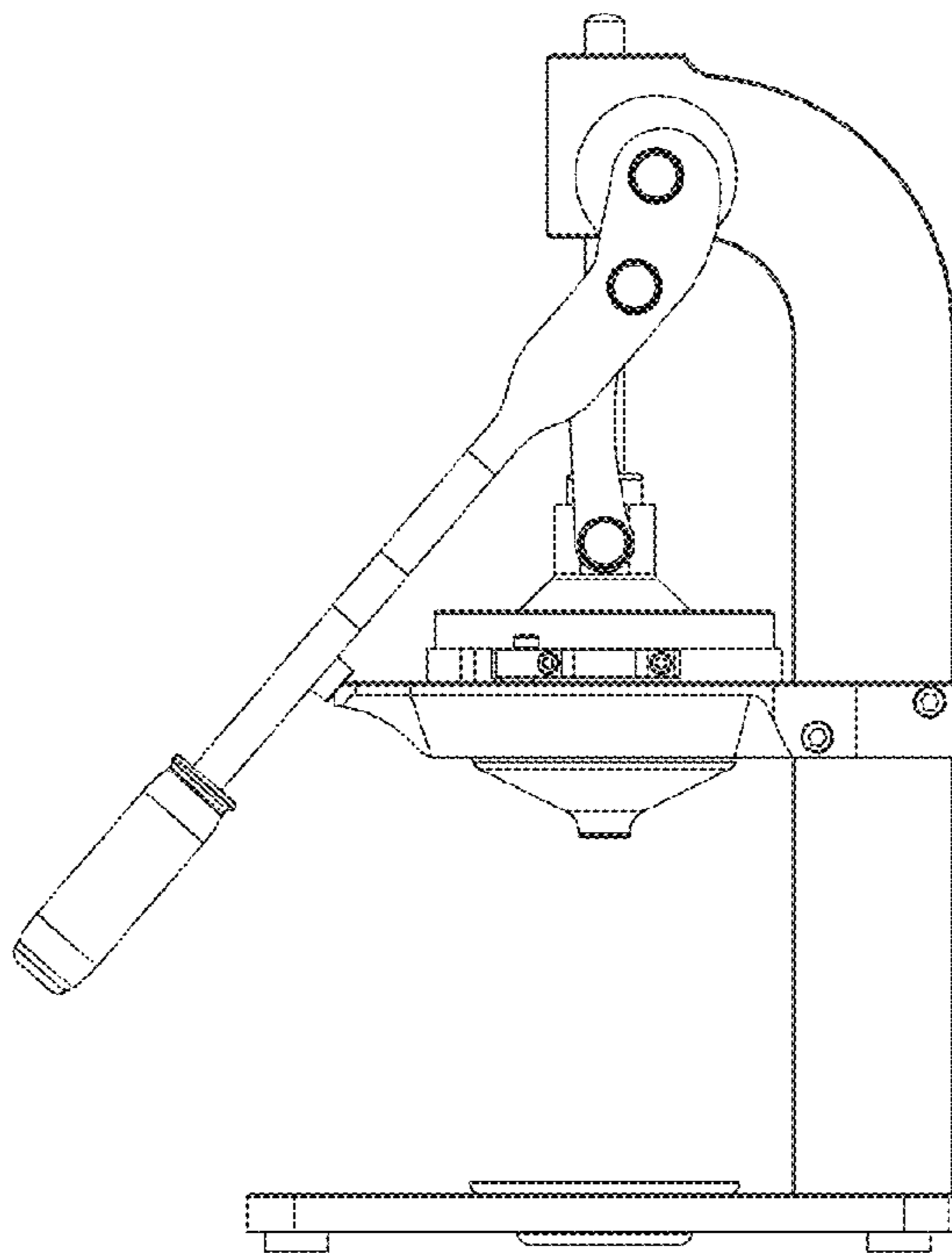


FIG. 4

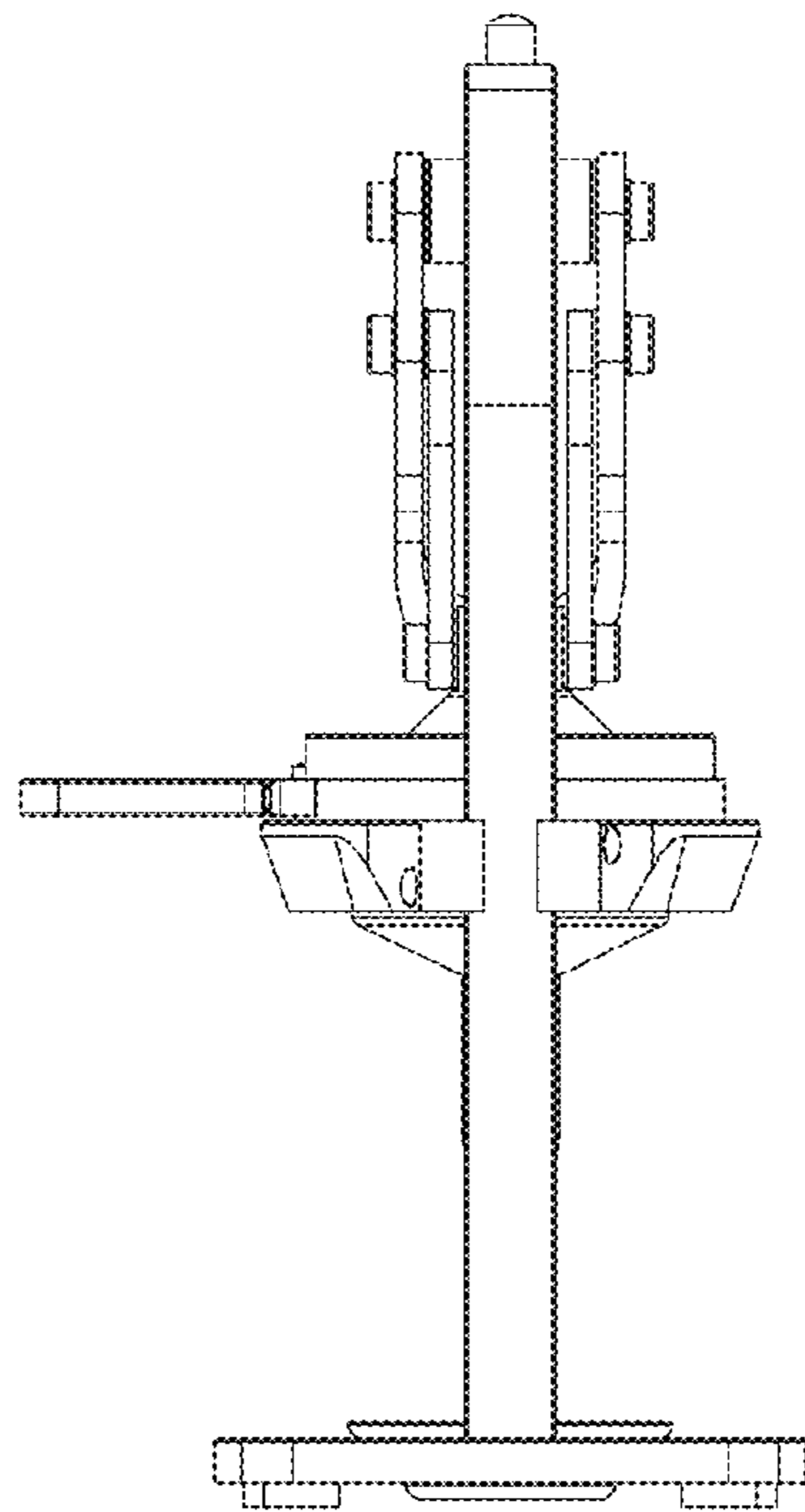


FIG. 5

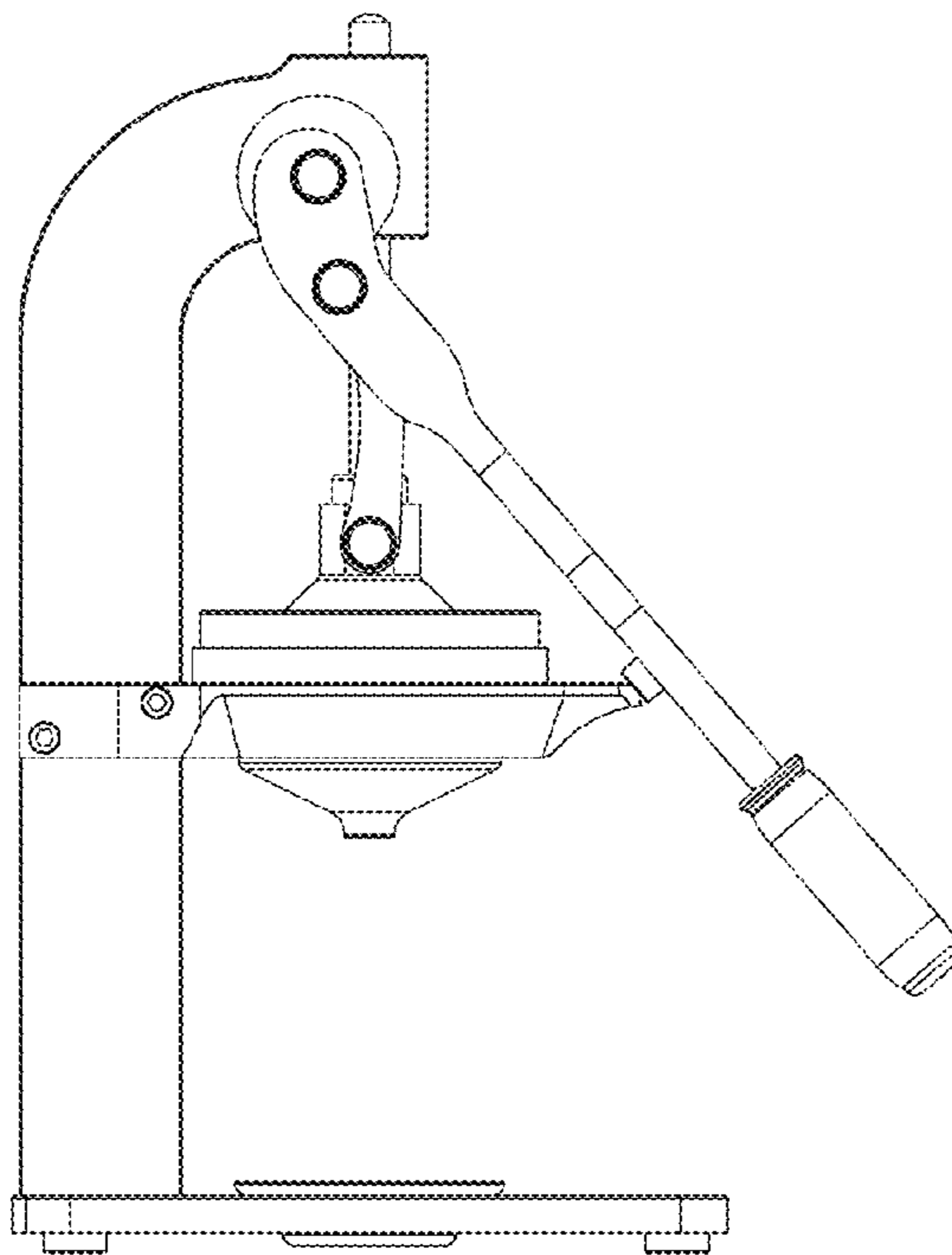


FIG. 6

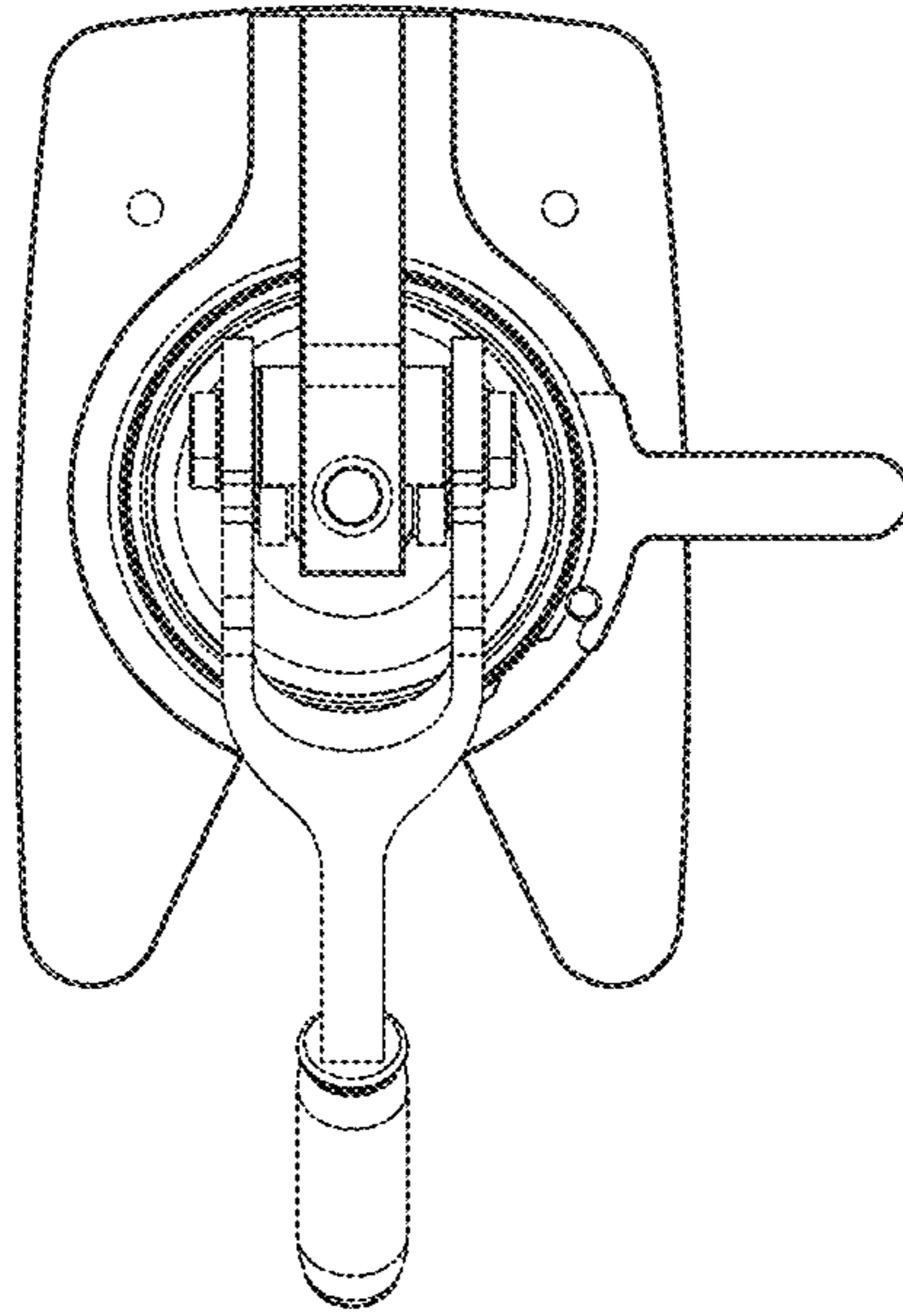


FIG. 7

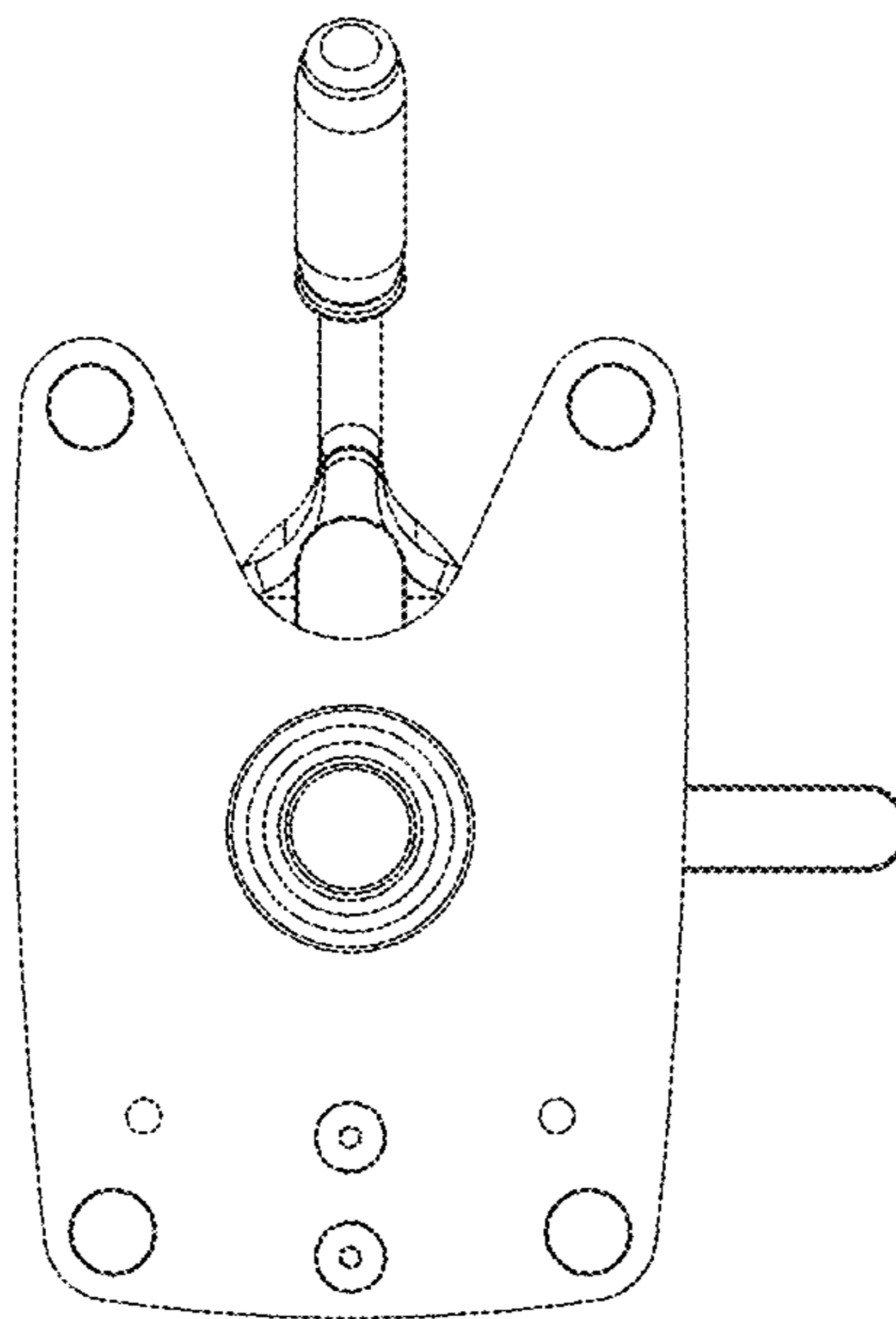


FIG. 8