



US00D735536S

(12) **United States Design Patent**  
**Goodman et al.**

(10) **Patent No.:** **US D735,536 S**

(45) **Date of Patent:** **\*\* Aug. 4, 2015**

(54) **UTENSIL HOLDER**

(56) **References Cited**

(71) Applicant: **Spectrum Diversified Designs, Inc.**,  
Streetsboro, OH (US)

U.S. PATENT DOCUMENTS

(72) Inventors: **Sheldon H. Goodman**, Solon, OH (US);  
**Phaysouk Xayoiphonh**, Akron, OH  
(US); **Jennifer K. Case**, Middleburg  
Heights, OH (US)

D397,000	S	*	8/1998	Goodman et al.	.....	D7/637
D433,287	S	*	11/2000	Goodman et al.	.....	D7/640
D591,565	S	*	5/2009	Goodman et al.	.....	D7/637
D628,858	S	*	12/2010	Guindi	.....	D7/637
D630,476	S	*	1/2011	Goodman et al.	.....	D7/637
D643,696	S	*	8/2011	Goodman et al.	.....	D7/640

\* cited by examiner

(73) Assignee: **Spectrum Diversified Designs, Inc.**,  
Streetsboro, OH (US)

*Primary Examiner* — Terry Wallace

(74) *Attorney, Agent, or Firm* — Renner, Otto, Boisselle &  
Sklar, LLP

(\*\*) Term: **14 Years**

(57) **CLAIM**

The ornamental design for a utensil holder, as shown and  
described.

(21) Appl. No.: **29/469,440**

**DESCRIPTION**

(22) Filed: **Oct. 10, 2013**

(51) **LOC (10) Cl.** ..... **07-99**

(52) **U.S. Cl.**

USPC ..... **D7/637**

(58) **Field of Classification Search**

USPC ..... D7/637-641, 619.1-625, 600.1-600.4;  
D19/75, 77, 81, 84; D6/673, 675.2,  
D6/675.5, 676.5, 677.5, 678.4, 680.3;  
211/181.1, 70.1, 70.6, 70.7, 71.01, 74,  
211/69.1-69.9, 41.1-41.4

FIG. 1 is a perspective view of a utensil holder showing our  
new design.

FIG. 2 is a top view thereof.

FIG. 3 is a fragmentary view, on an enlarged scale, of an  
alternative mesh material used to form the bottom wall  
denoted by the number 3 in FIG. 2.

FIG. 4 is a front view thereof, a rear view being a mirror image  
of the front view.

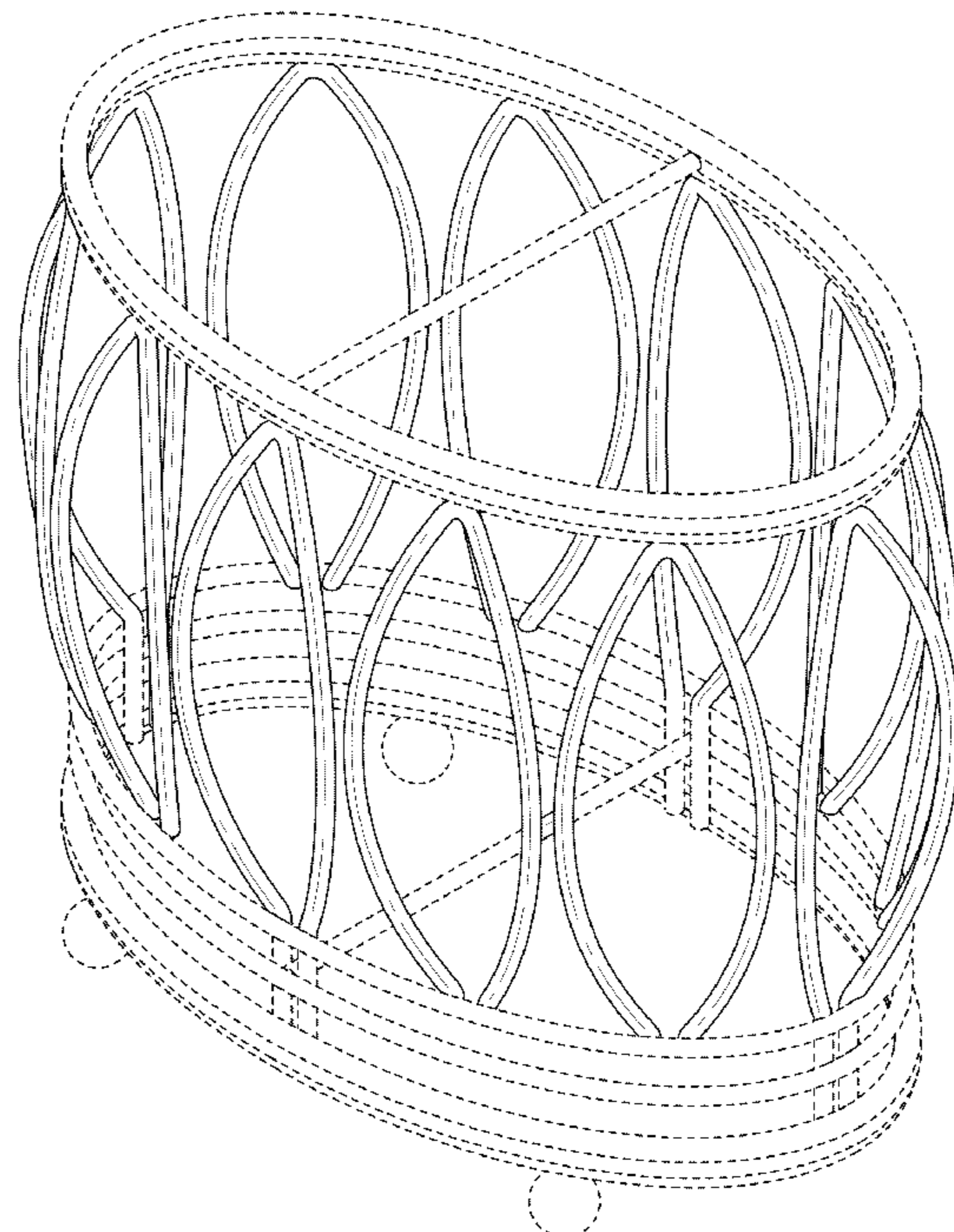
FIG. 5 is a bottom view thereof; and,

FIG. 6 is a right side view thereof, a left side view being a  
mirror image of the right side view.

The broken lines shown herein are for illustrative purposes  
only and form no part of the claimed design.

See application file for complete search history.

**1 Claim, 3 Drawing Sheets**



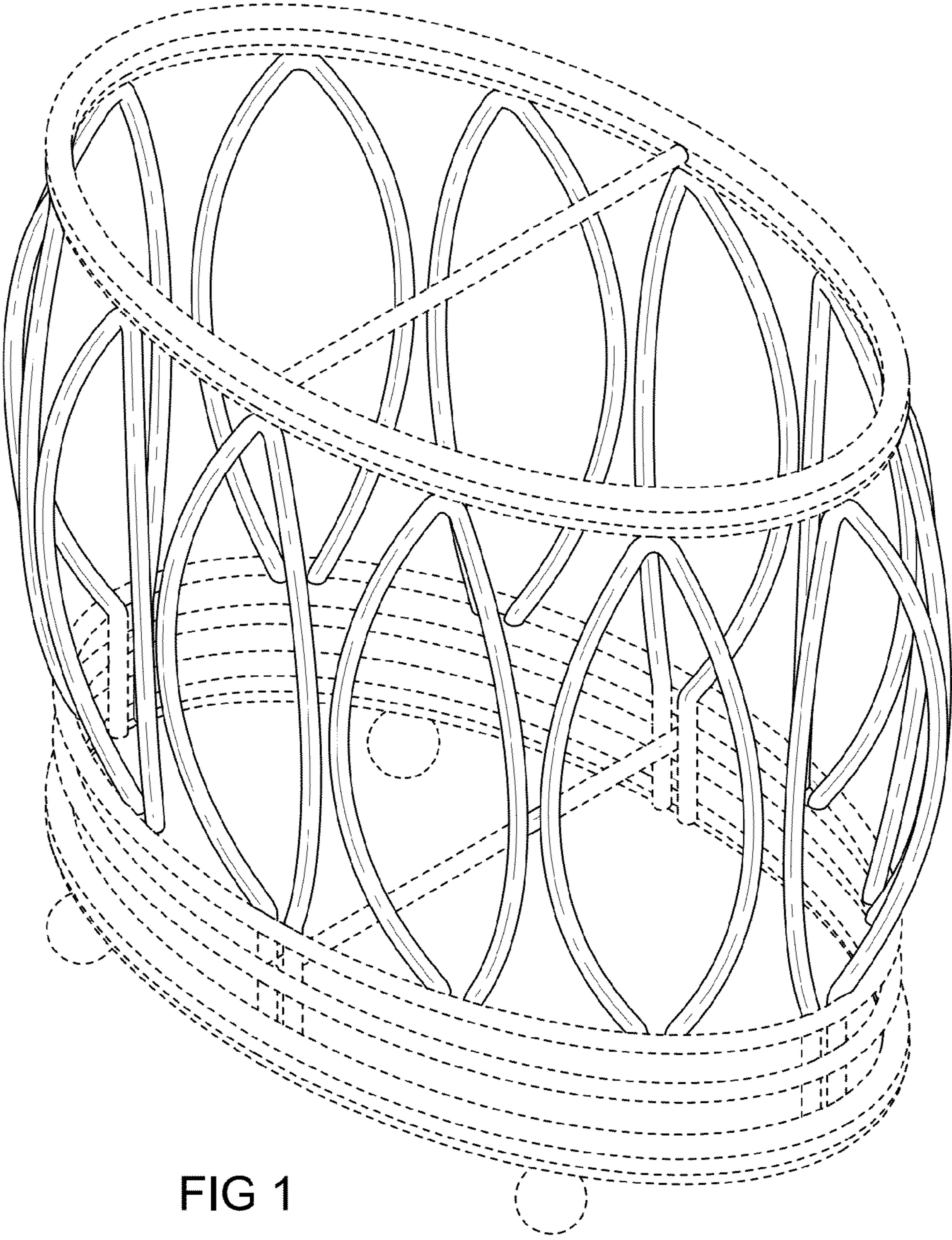


FIG 1

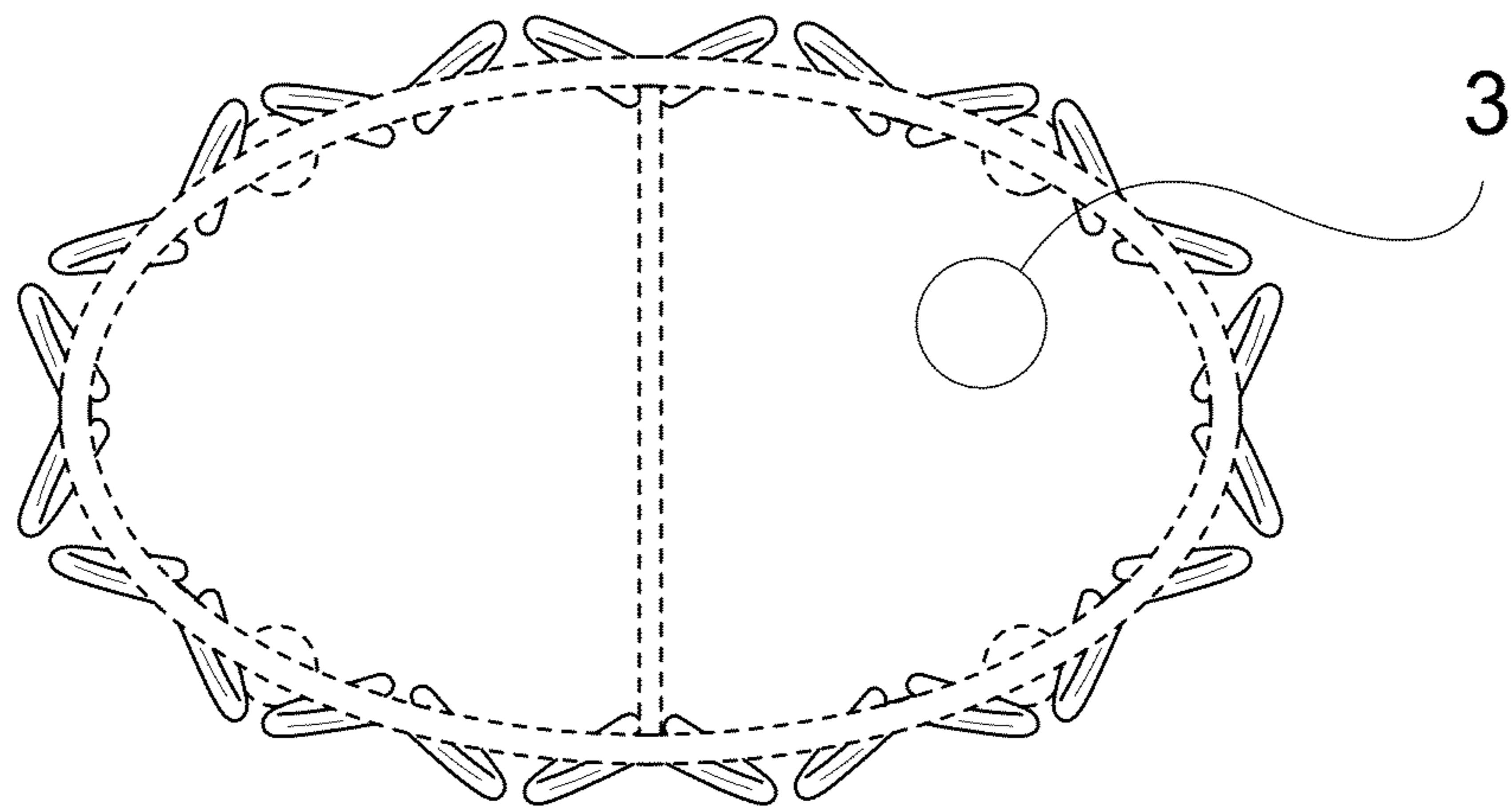


FIG 2

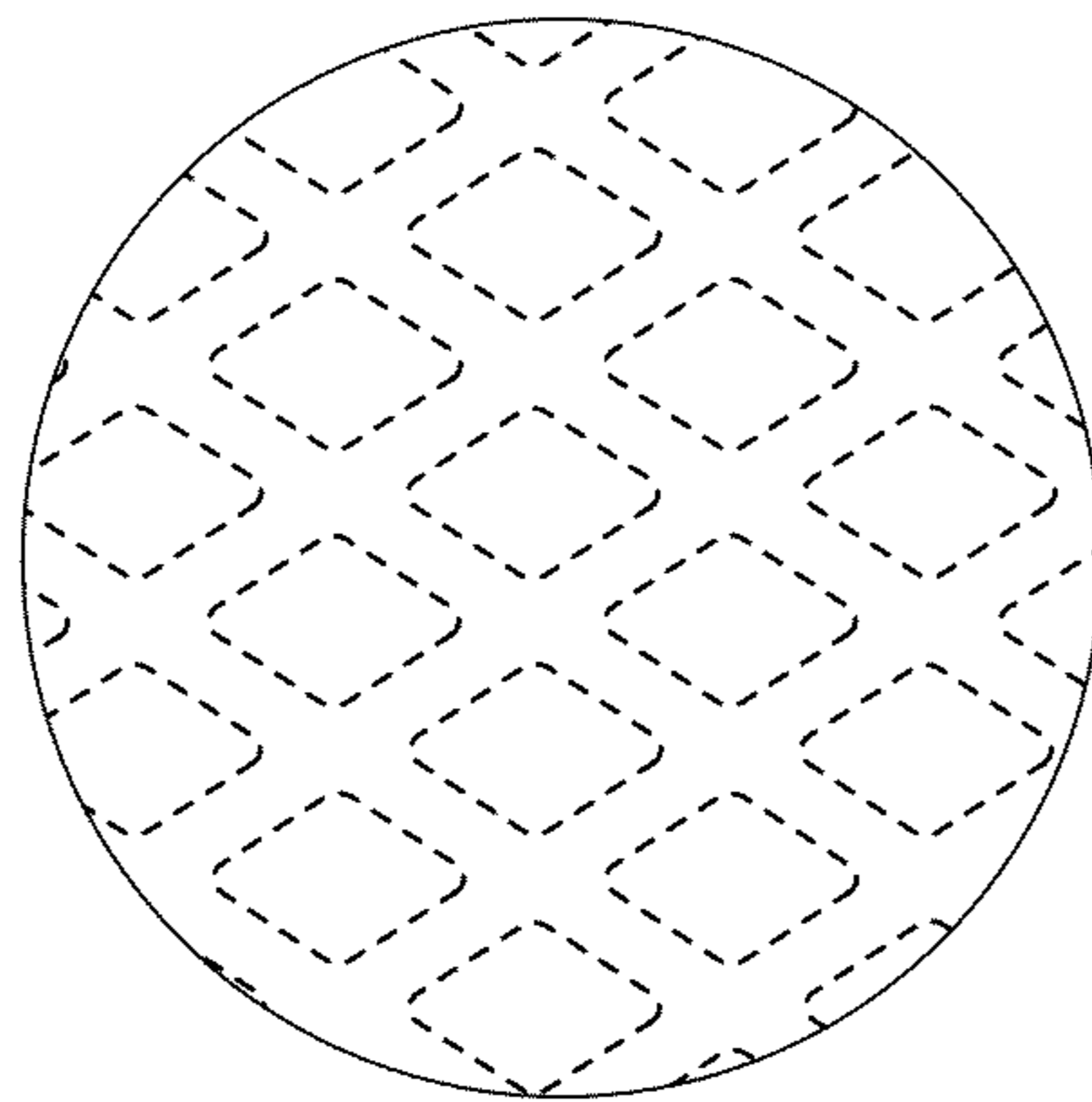


FIG 3

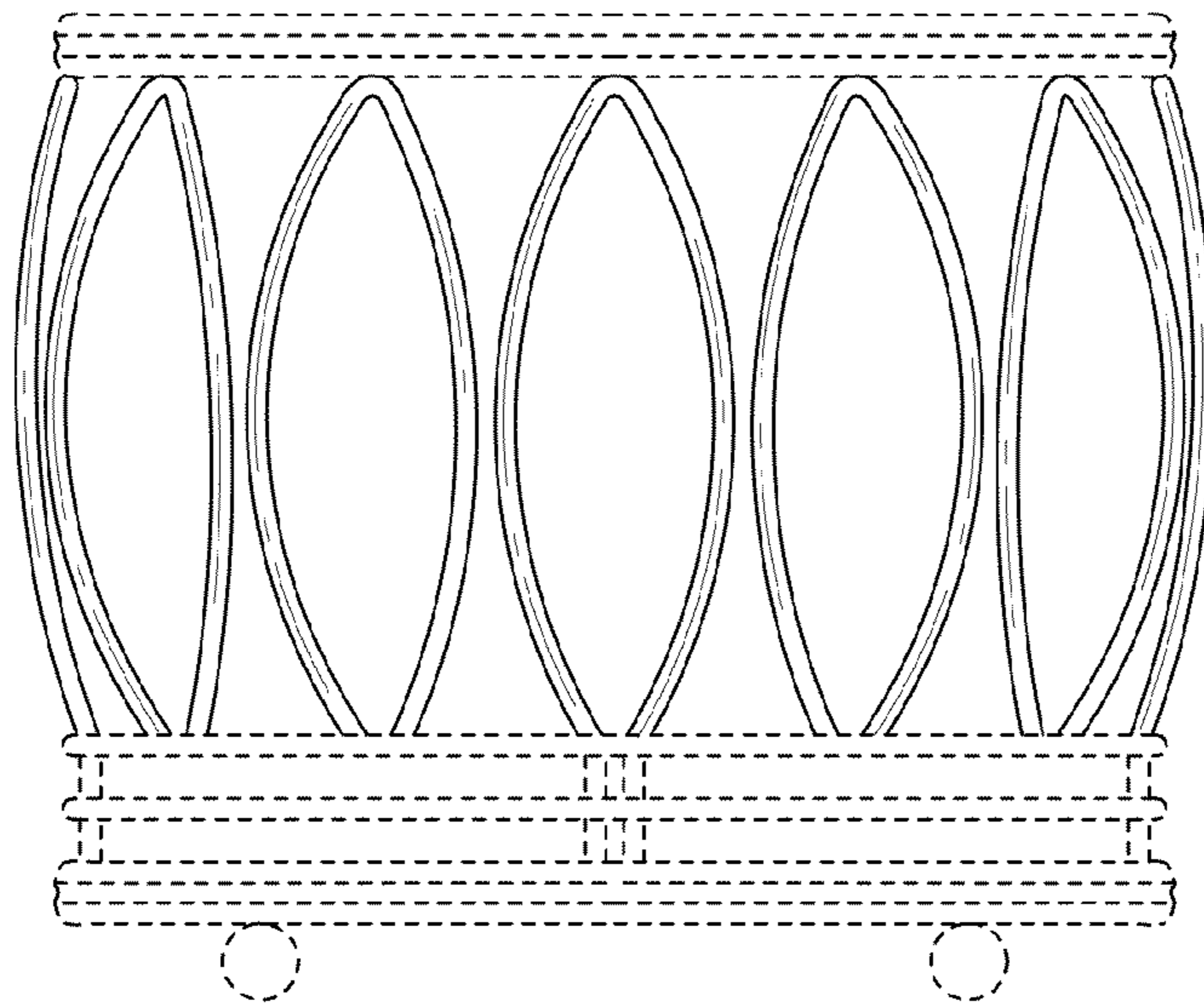


FIG 4

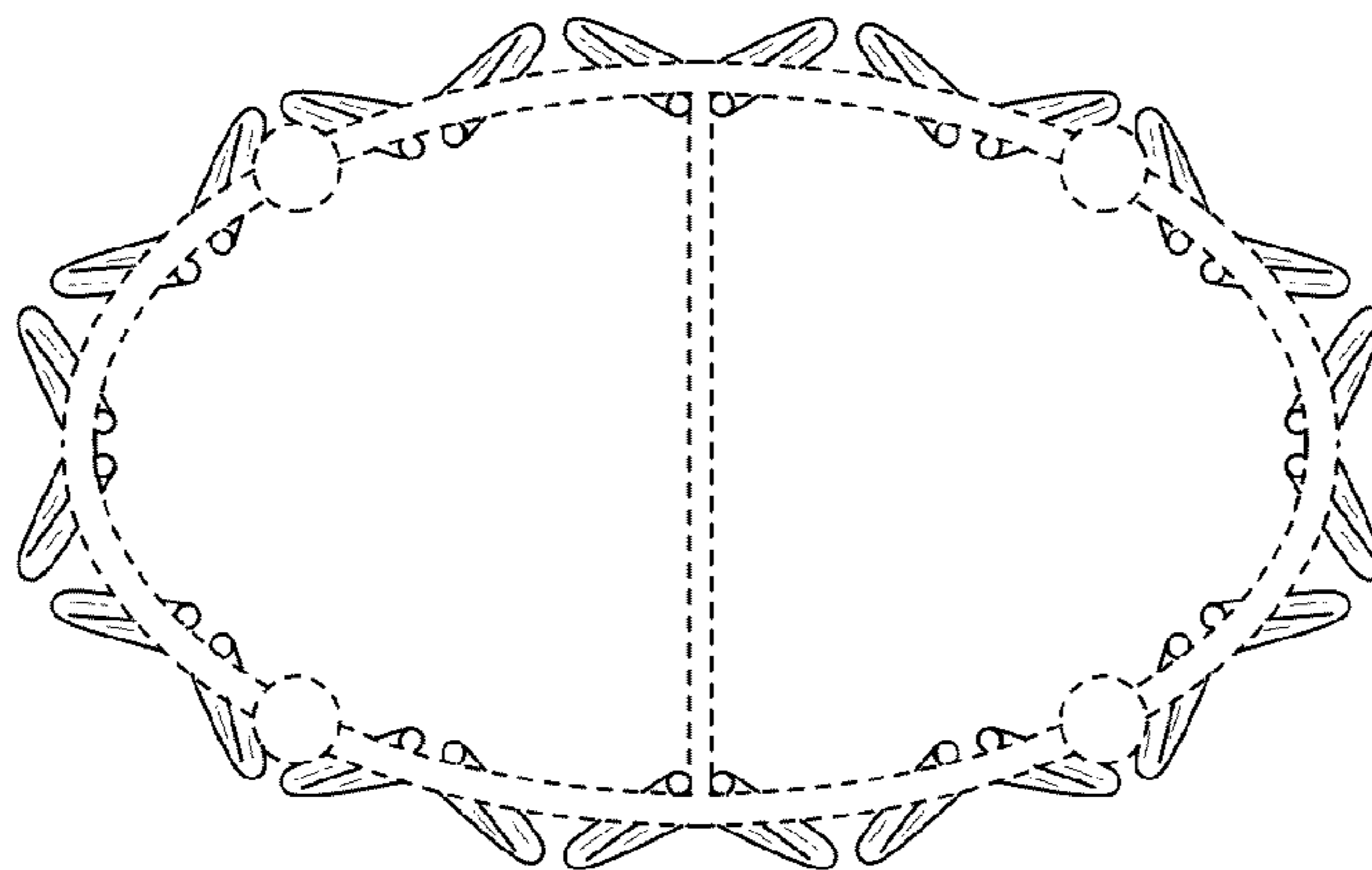


FIG 5

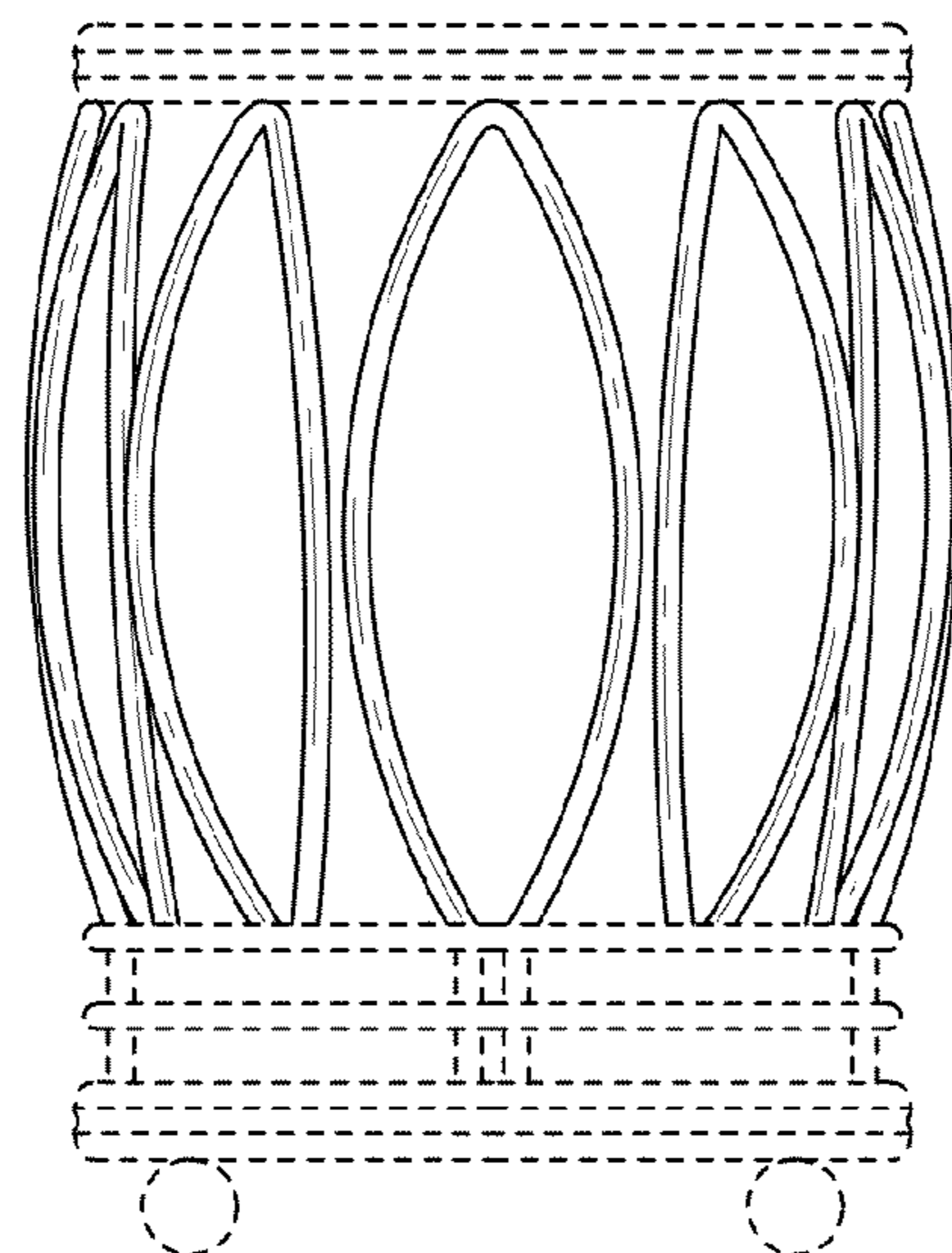


FIG 6