



US00D735535S

(12) **United States Design Patent**
Kaslik

(10) **Patent No.:** **US D735,535 S**

(45) **Date of Patent:** **** Aug. 4, 2015**

(54) **VERSATILE COVER**

(71) Applicant: **James A Kaslik**, Naples, NY (US)

(72) Inventor: **James A Kaslik**, Naples, NY (US)

(73) Assignee: **FUSIONBRANDS INC**, Naples, NY (US)

(**) Term: **14 Years**

(21) Appl. No.: **29/445,647**

(22) Filed: **Feb. 14, 2013**

(51) **LOC (10) CI.** **07-01**

(52) **U.S. Cl.**
USPC **D7/602**

(58) **Field of Classification Search**
USPC D7/602; 53/396; 220/212, 305; 29/428;
428/78, 34.8, 36.92, 36.8; 99/484, 645;
264/328.1

See application file for complete search history.

(56) **References Cited**

U.S. PATENT DOCUMENTS

7,051,895	B2 *	5/2006	Toussant et al.	220/287
7,488,520	B2 *	2/2009	Urlaub et al.	428/34.1
2009/0183807	A1 *	7/2009	Sadlier	150/154
2013/0133288	A1 *	5/2013	Kaslik	53/396

* cited by examiner

Primary Examiner — Wan Laymon

Assistant Examiner — Mark Booker

(74) *Attorney, Agent, or Firm* — Smith Risely Tempel Santos LLC; Gregory Scott Smith

(57) **CLAIM**

The ornamental design for a versatile cover, as shown and described.

DESCRIPTION

FIG. 1 is a perspective view from the top-side of our versatile cover;

FIG. 2 is a perspective view from the bottom-side of the versatile cover as shown in FIG. 1;

FIG. 3 is first side elevation view of the versatile cover shown in FIG. 1 and FIG. 2;

FIG. 4 is a second side elevation view of the versatile cover shown in FIG. 1 and FIG. 2;

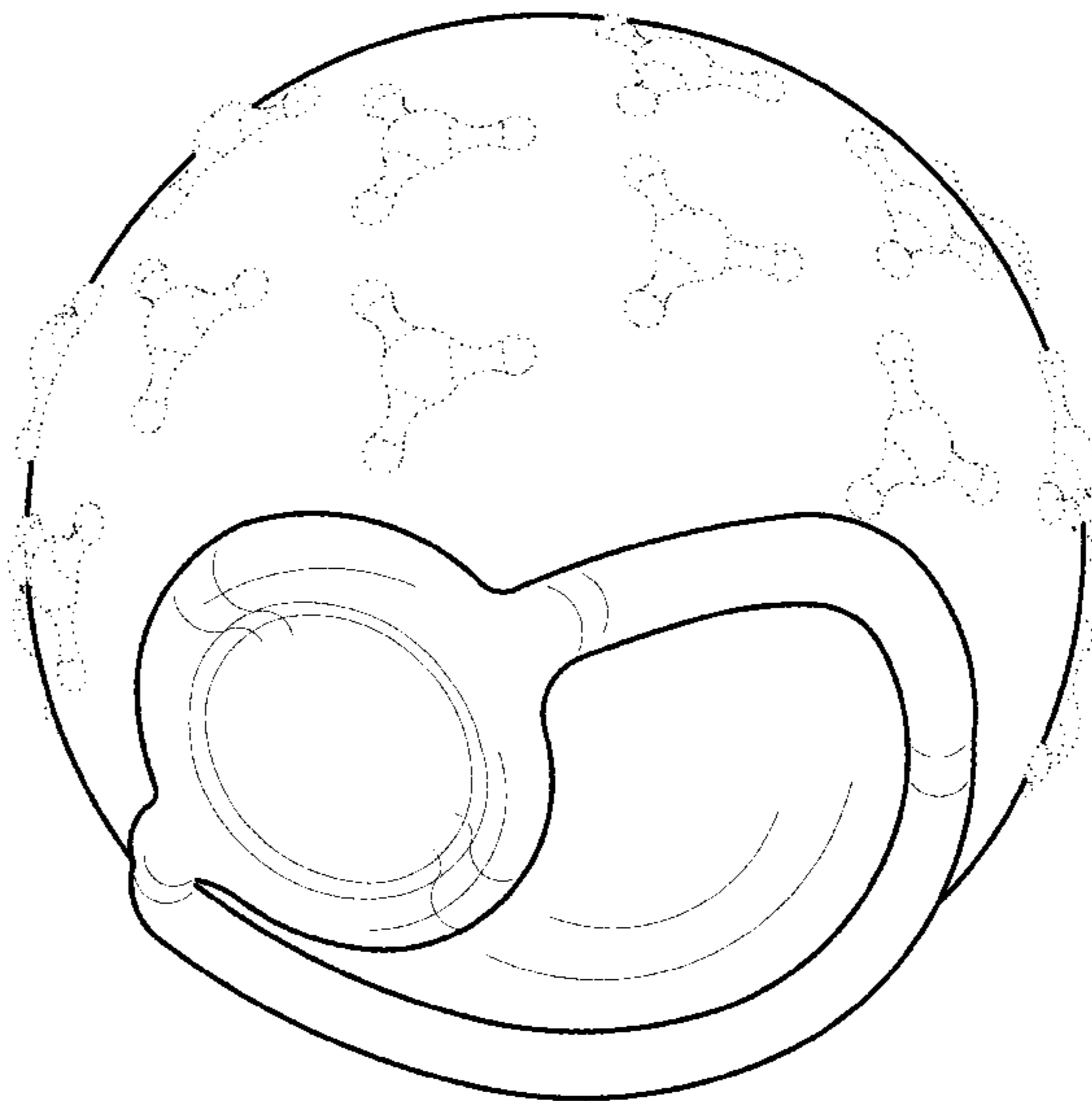
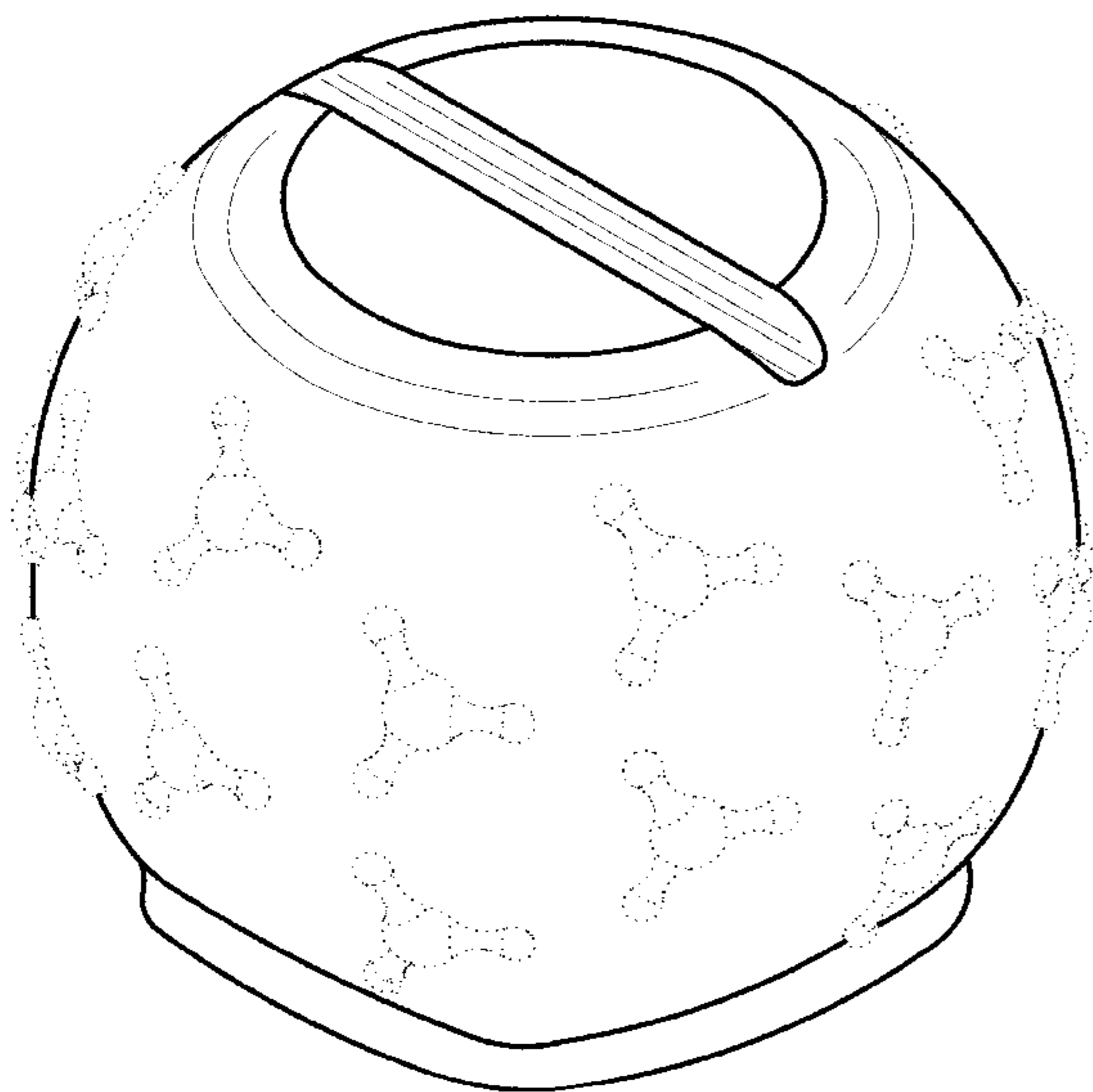
FIG. 5 is a third side elevation view of the versatile cover shown in FIG. 1 and FIG. 2, with a fourth side opposite of the third side being a mirrored image of the third side;

FIG. 6 is a top plan view of the versatile cover shown in FIG. 1 and FIG. 2; and,

FIG. 7 is a bottom plan view of the versatile cover shown in FIG. 1 and FIG. 2.

The broken lines shown throughout the drawings form no part of the claimed design.

1 Claim, 7 Drawing Sheets



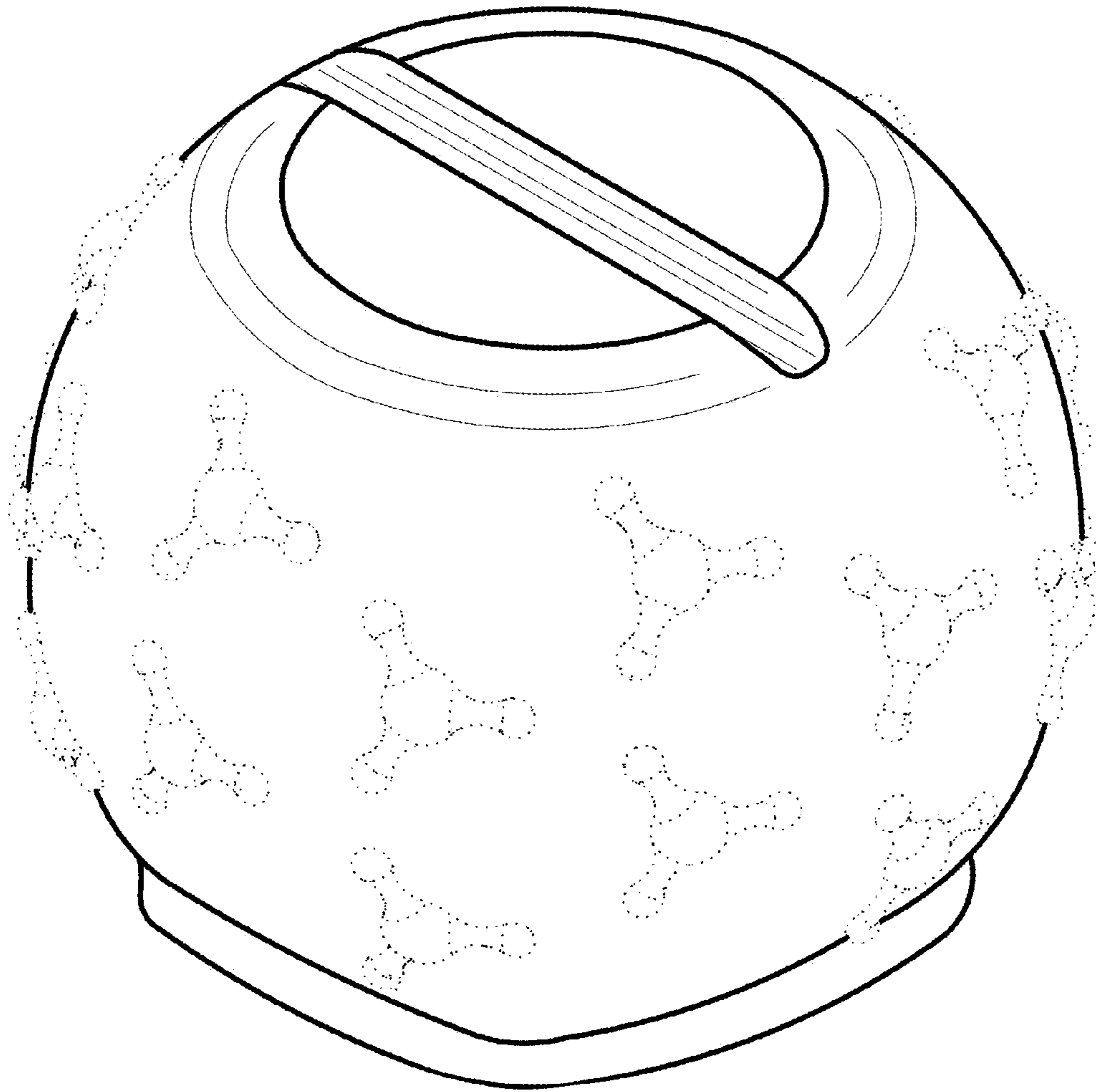


FIG. 1

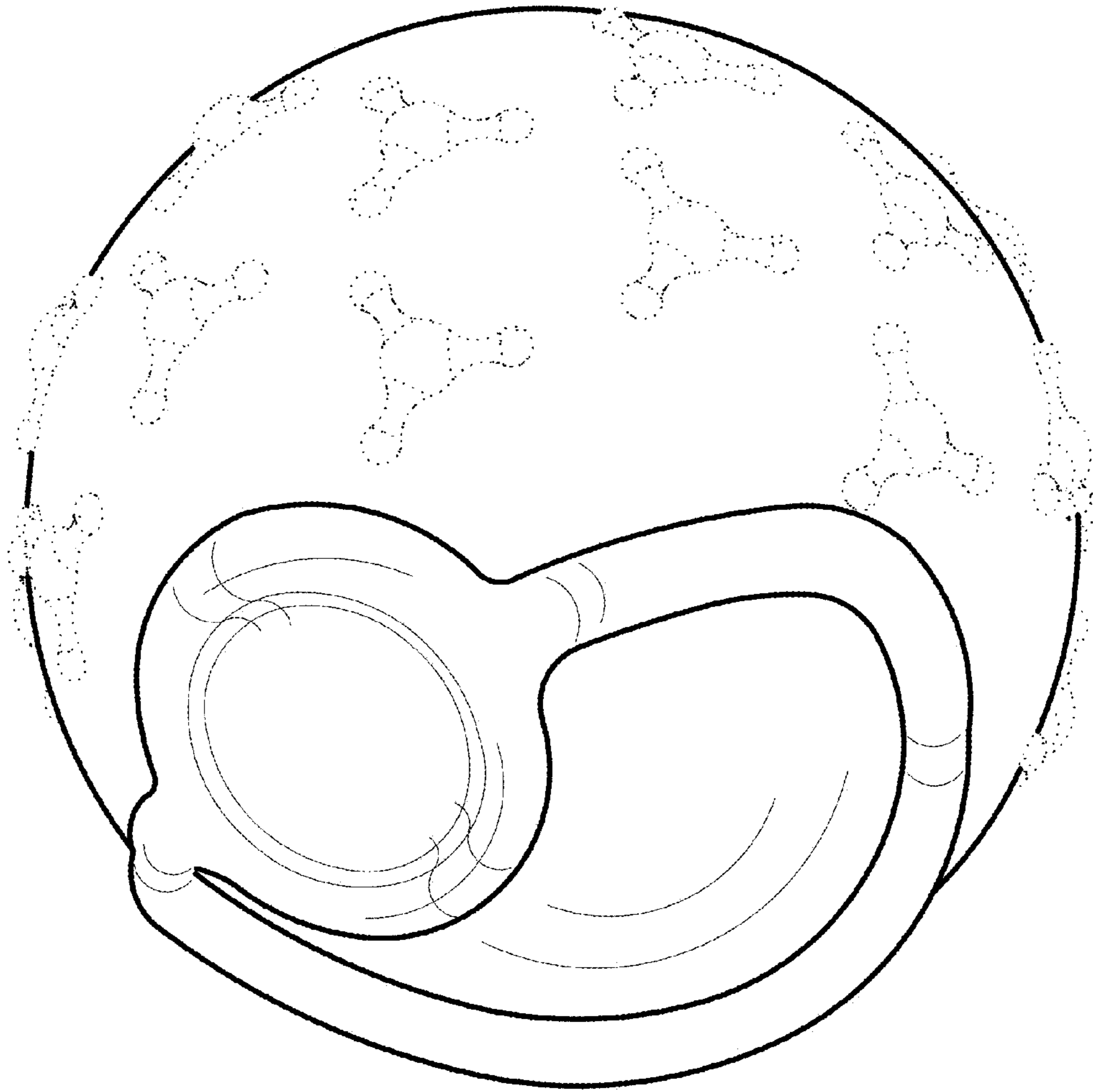


FIG. 2

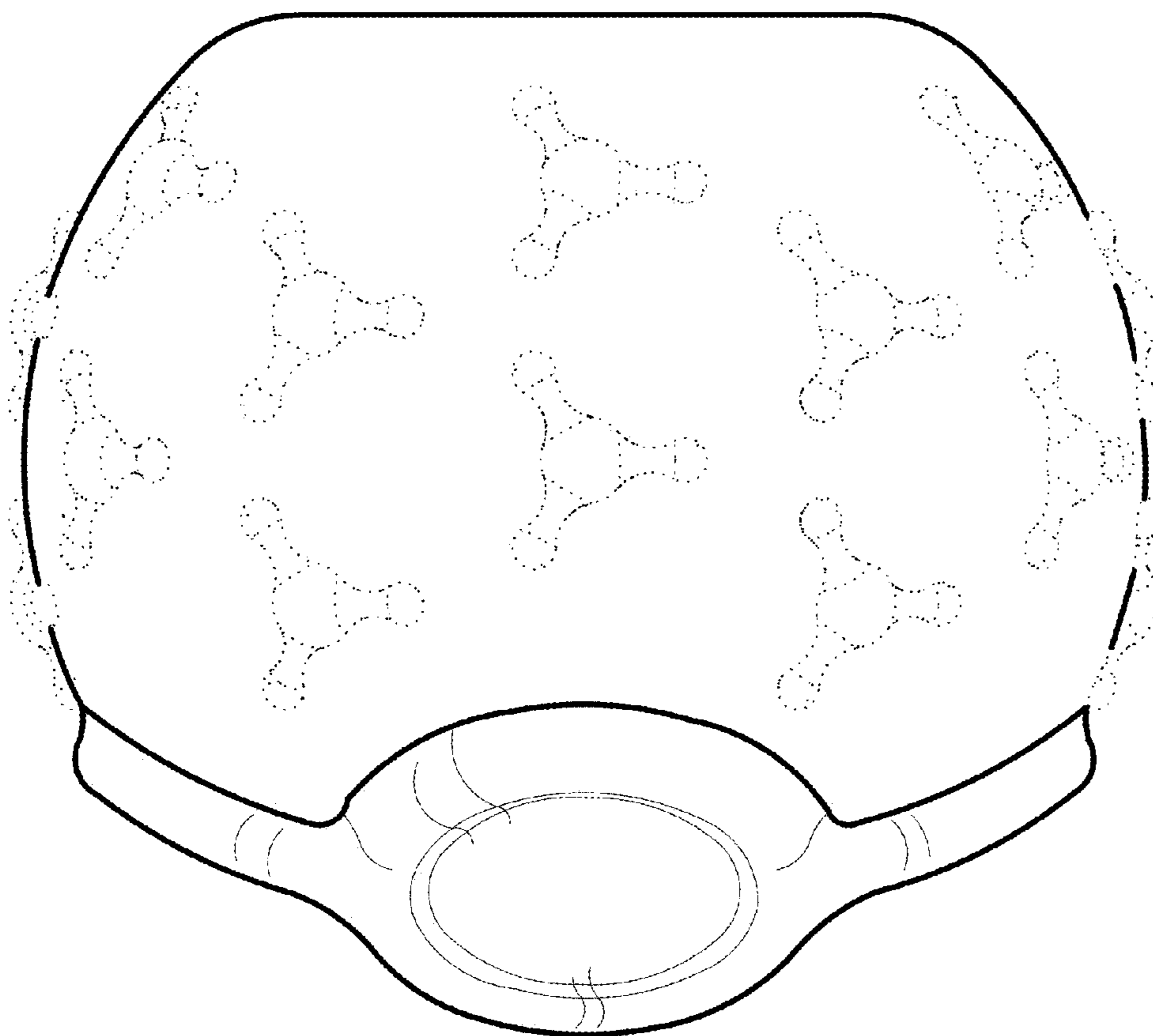


FIG. 3

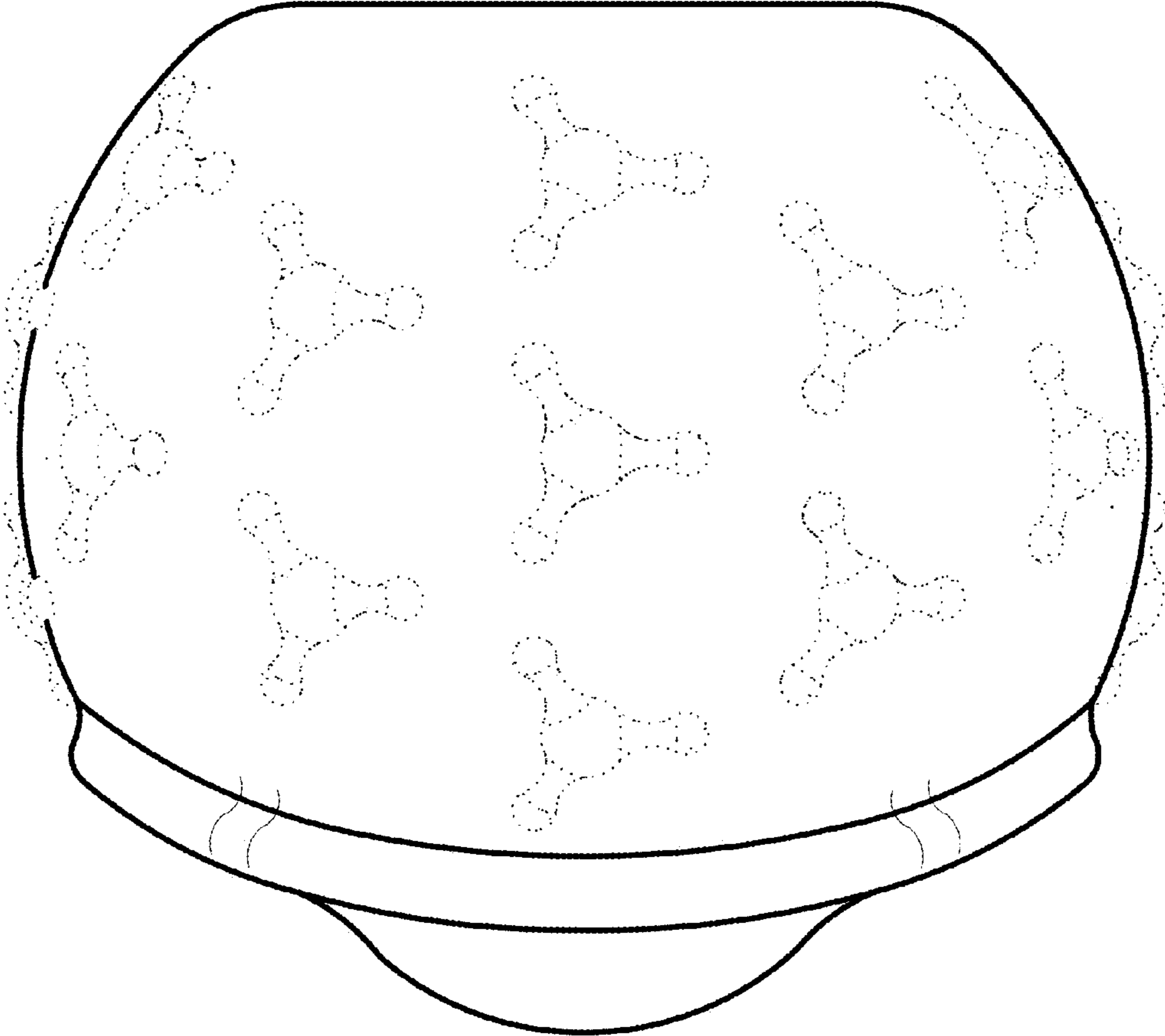


FIG. 4

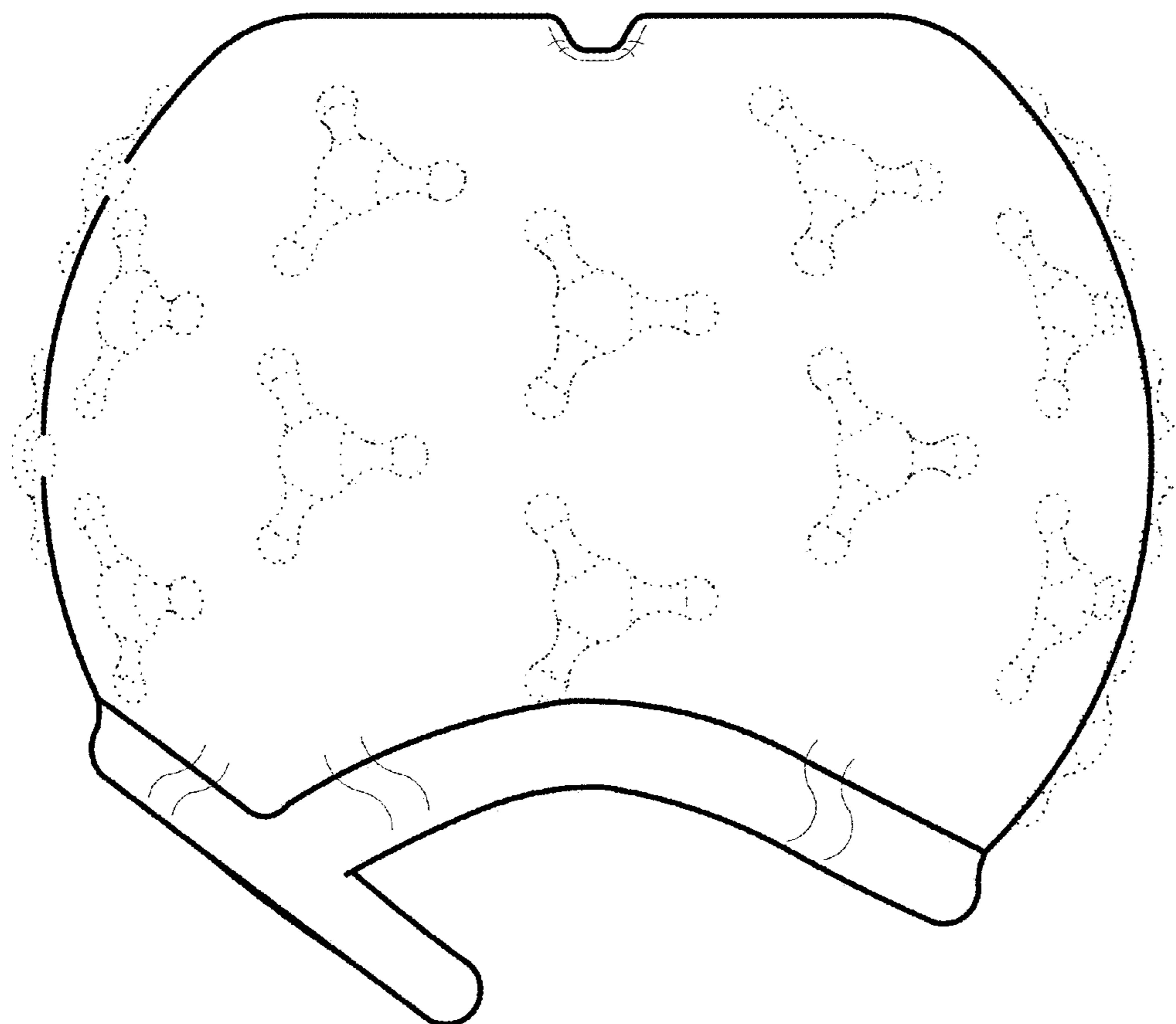


FIG. 5

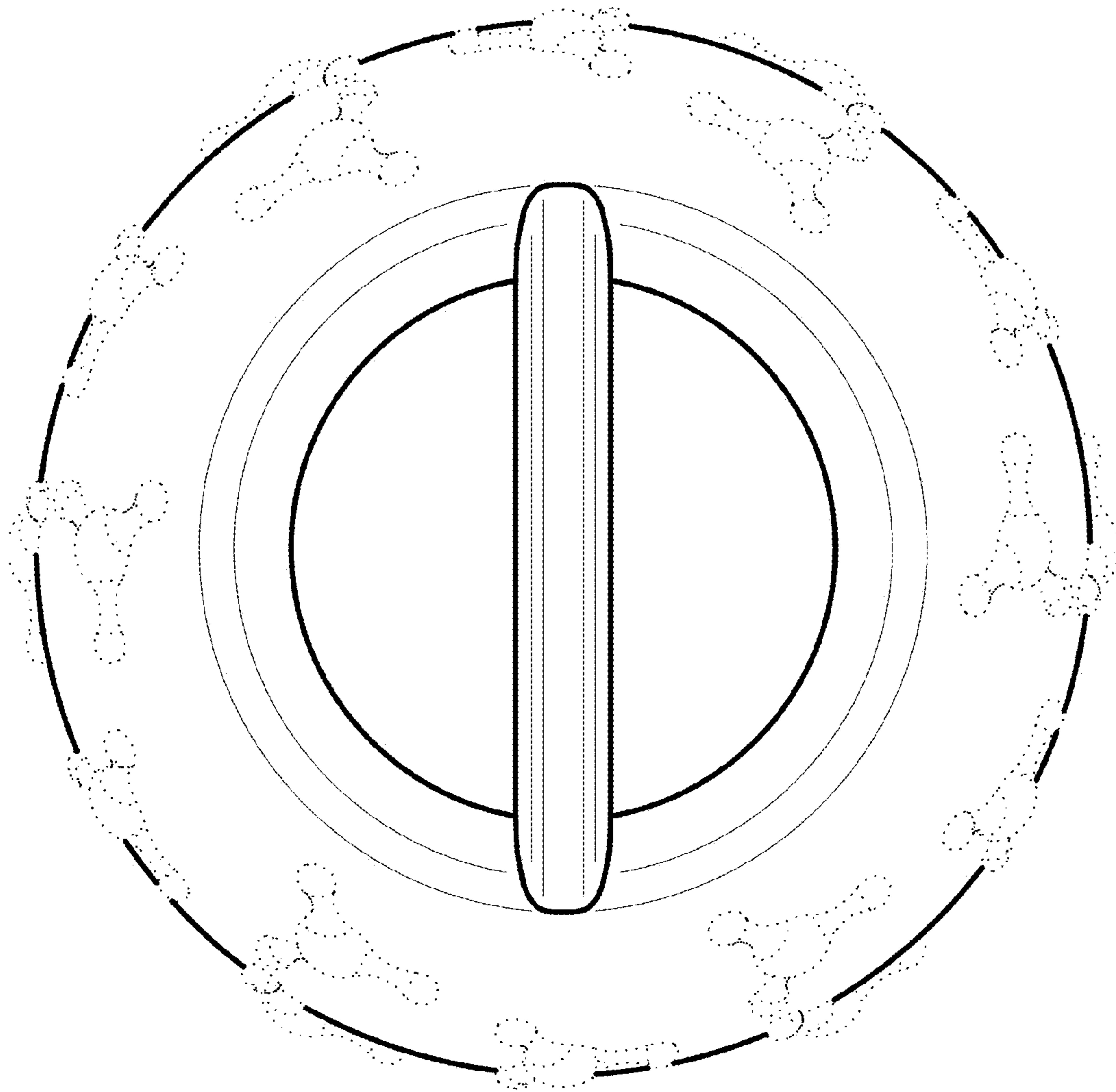


FIG. 6

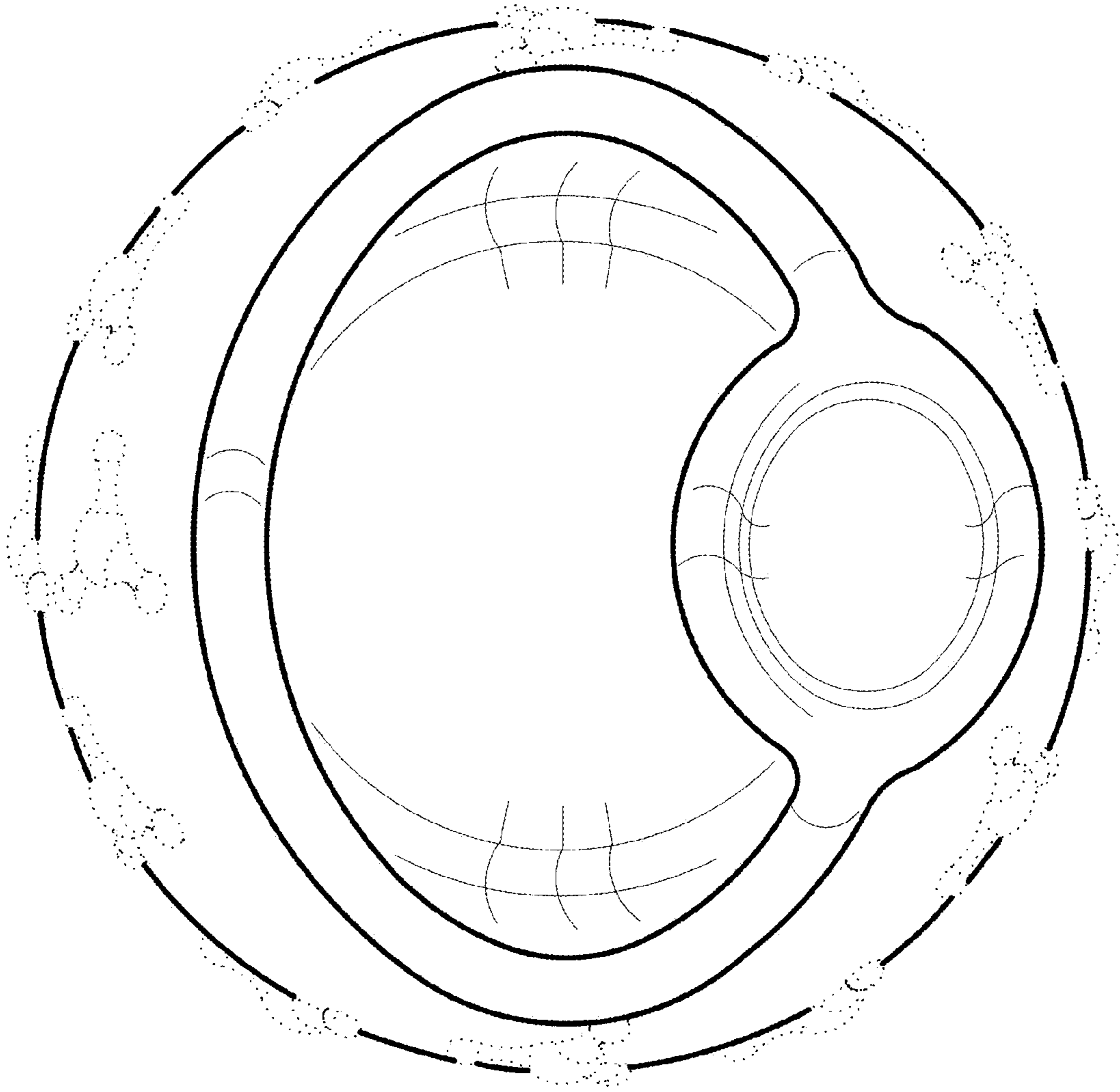


FIG. 7