



US00D735534S

(12) **United States Design Patent**
Berlepsch et al.

(10) **Patent No.:** **US D735,534 S**

(45) **Date of Patent:** **** Aug. 4, 2015**

(54) **BOWL**

(71) Applicant: **The Procter & Gamble Company,**
Cincinnati, OH (US)

(72) Inventors: **Joseph Allen Berlepsch,** Hamilton, OH
(US); **Lucio Frias,** Cincinnati, OH (US);
Robert Drennan Lewis, West Chester,
OH (US); **Leobaldo Antonio Perdomo,**
Milford, OH (US); **Jamie Beverly Stahl,**
Loveland, OH (US); **James Douglas**
Still, Cleves, OH (US)

(73) Assignee: **The Procter & Gamble Company,**
Cincinnati, OH (US)

(**) Term: **14 Years**

(21) Appl. No.: **29/483,334**

(22) Filed: **Feb. 27, 2014**

(51) **LOC (10) Cl.** **07-01**

(52) **U.S. Cl.**
USPC **D7/545**

(58) **Field of Classification Search**
USPC D7/545, 543, 500, 586, 570, 560;
220/751, 23.4, 574

See application file for complete search history.

(56) **References Cited**

U.S. PATENT DOCUMENTS

D483,617 S *	12/2003	Watson	D7/545
D571,156 S *	6/2008	Gartz et al.	D7/545
D590,663 S *	4/2009	Simon et al.	D7/545
D679,547 S *	4/2013	Chen	D7/545
D679,548 S *	4/2013	Chen	D7/545

* cited by examiner

Primary Examiner — Cynthia Underwood

(74) *Attorney, Agent, or Firm* — James T. Fondriest

(57) **CLAIM**

The ornamental design for a bowl, as shown and described.

DESCRIPTION

FIG. 1 is a perspective view of a bowl, embodying our new design;

FIG. 2 is a front view of the bowl;

FIG. 3 is a rear view of the bowl;

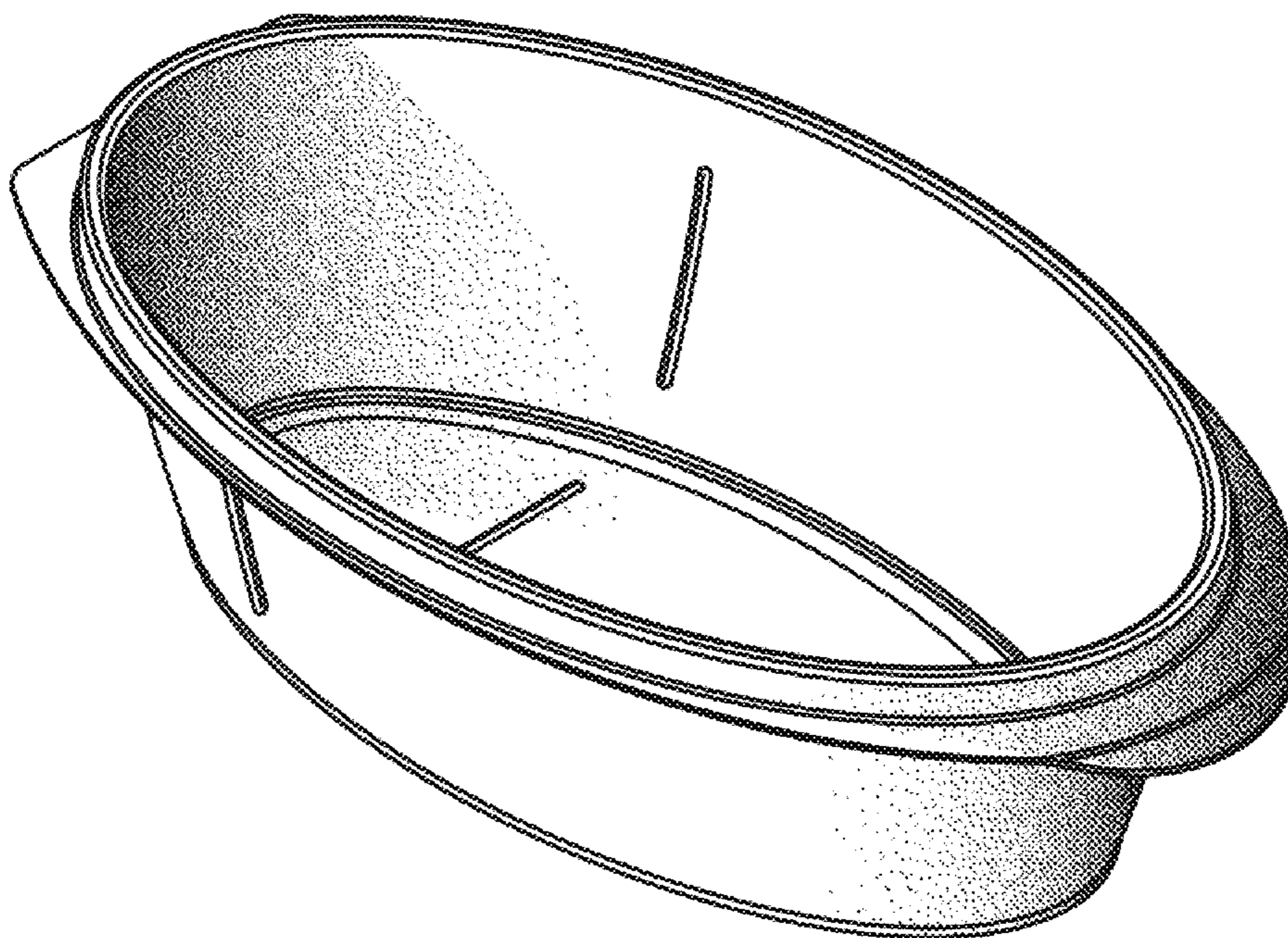
FIG. 4 is a left side view of the bowl;

FIG. 5 is a right side view of the bowl;

FIG. 6 is a top plan view of the bowl; and,

FIG. 7 is a bottom view of the bowl.

1 Claim, 7 Drawing Sheets



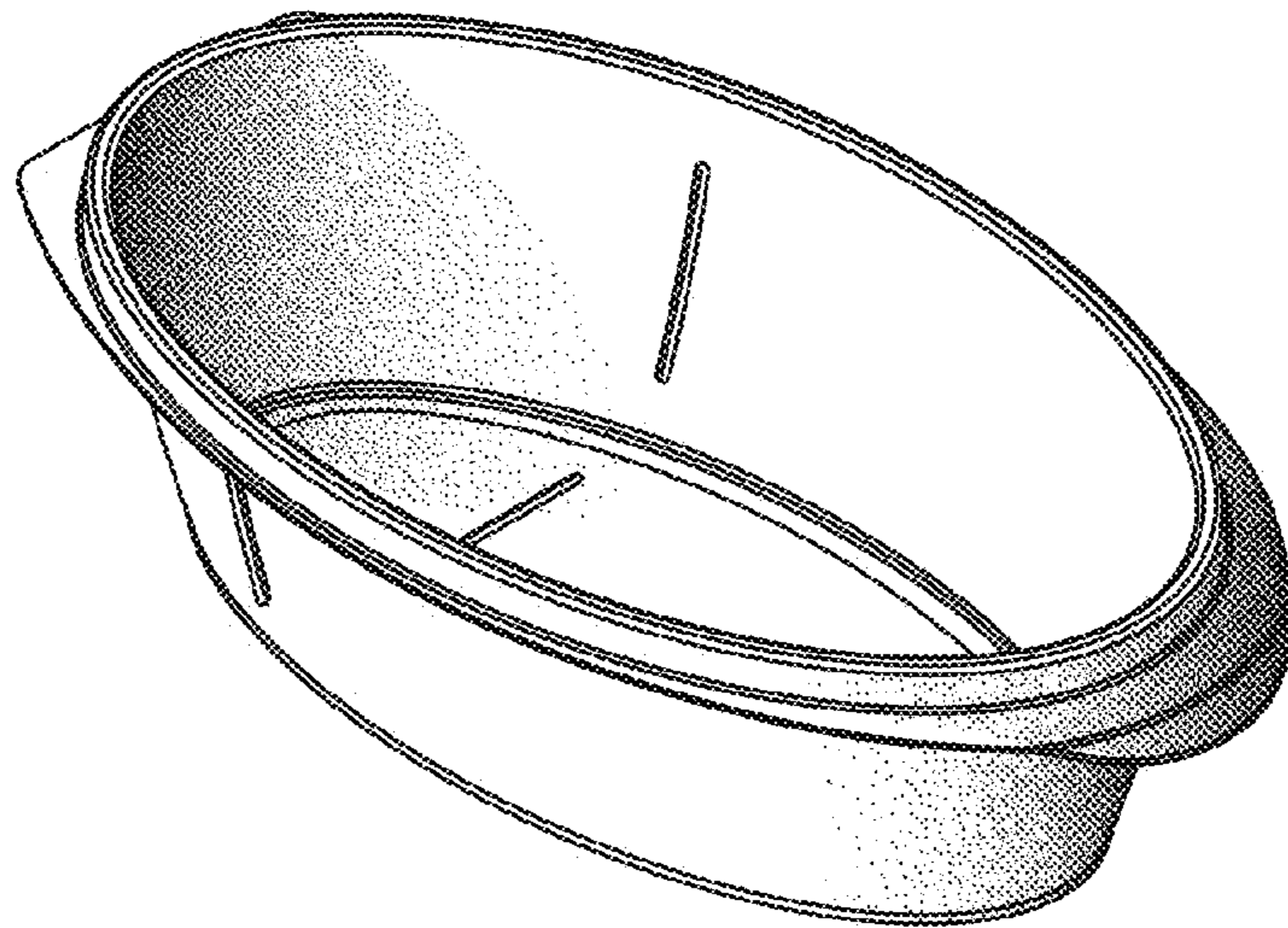


Fig. 1

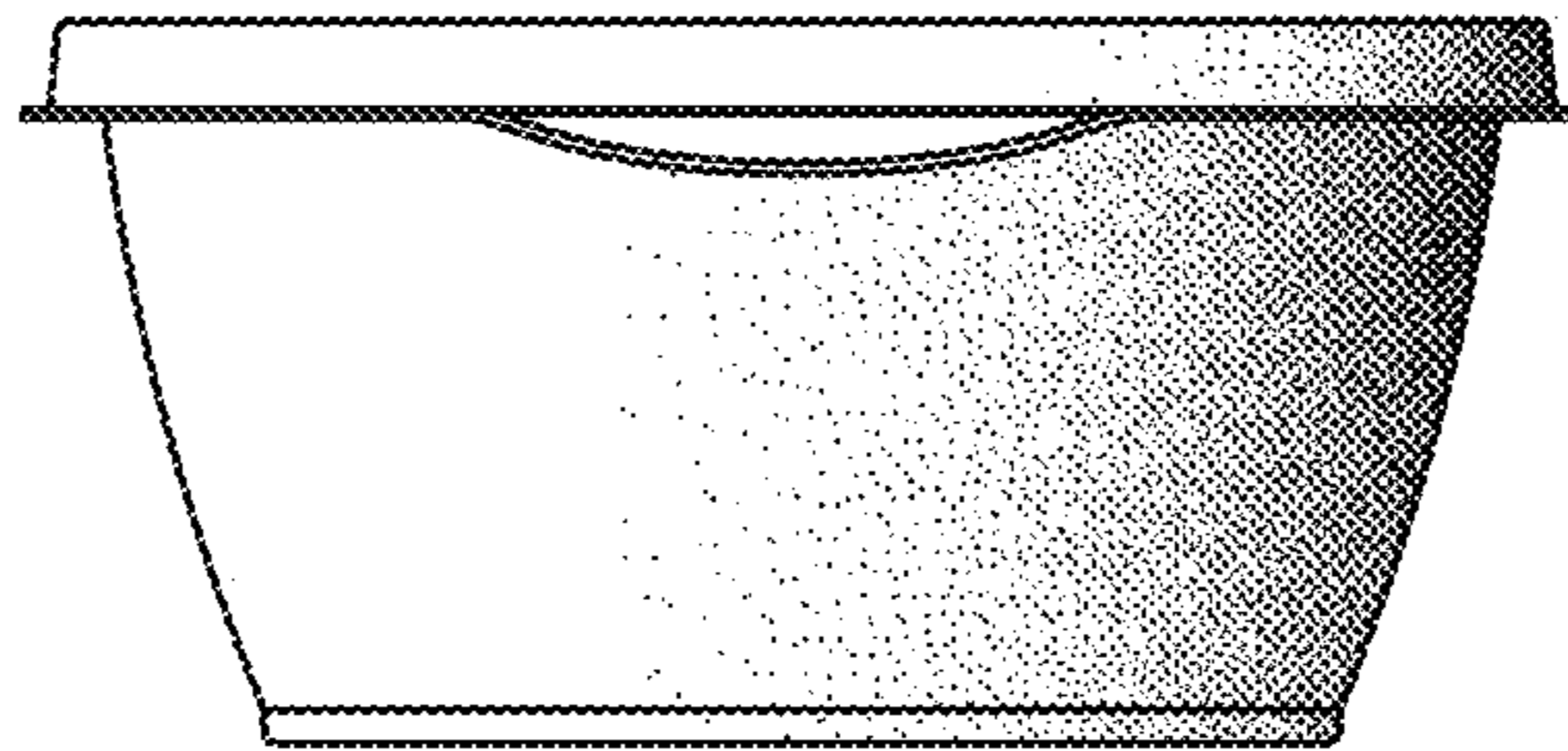


Fig. 2

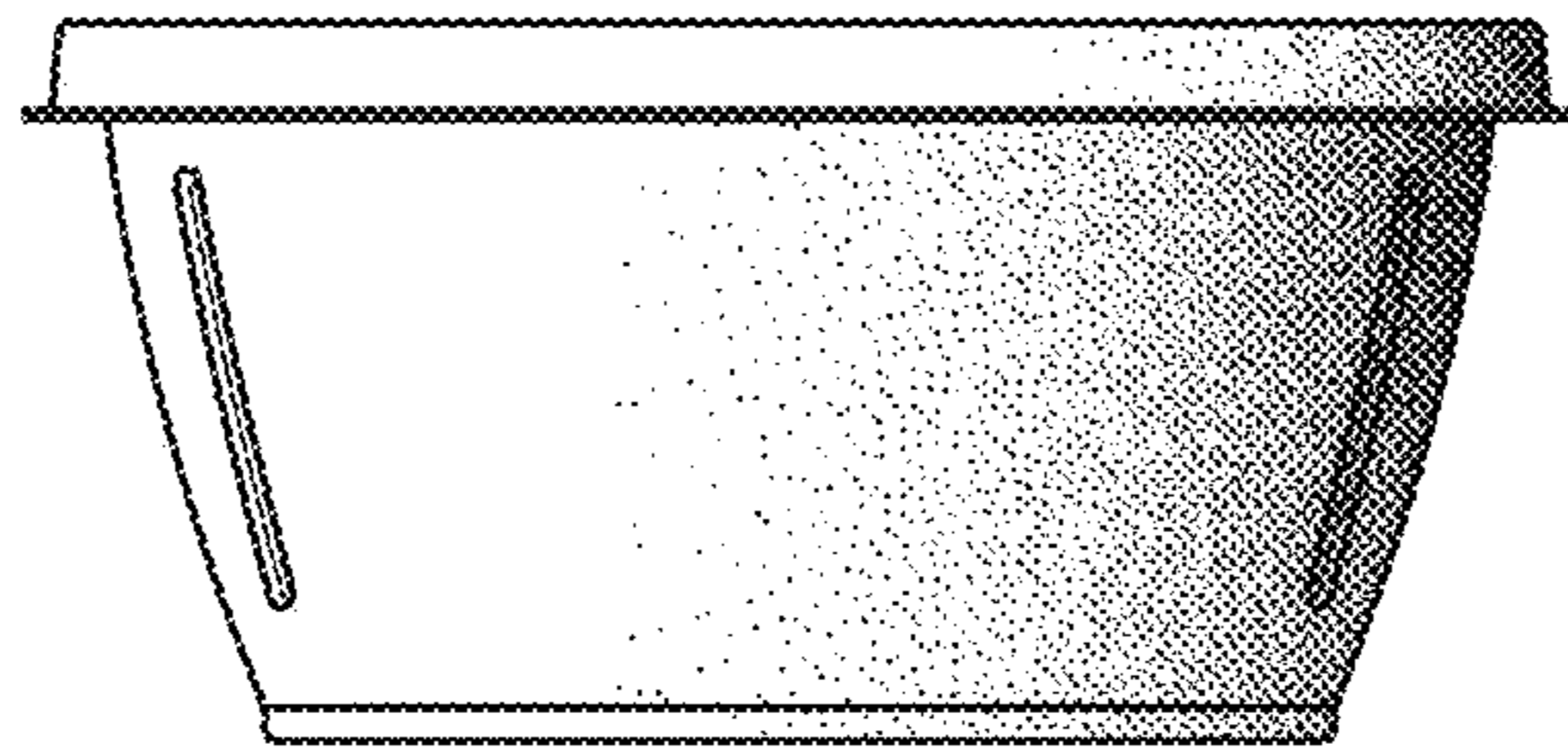


Fig. 3

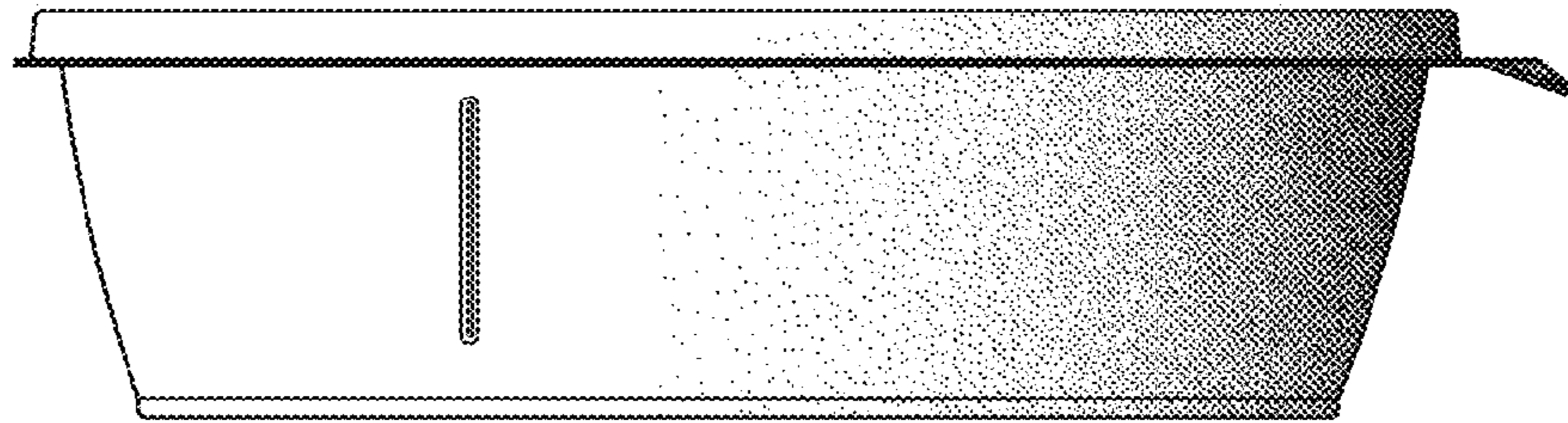


Fig. 4

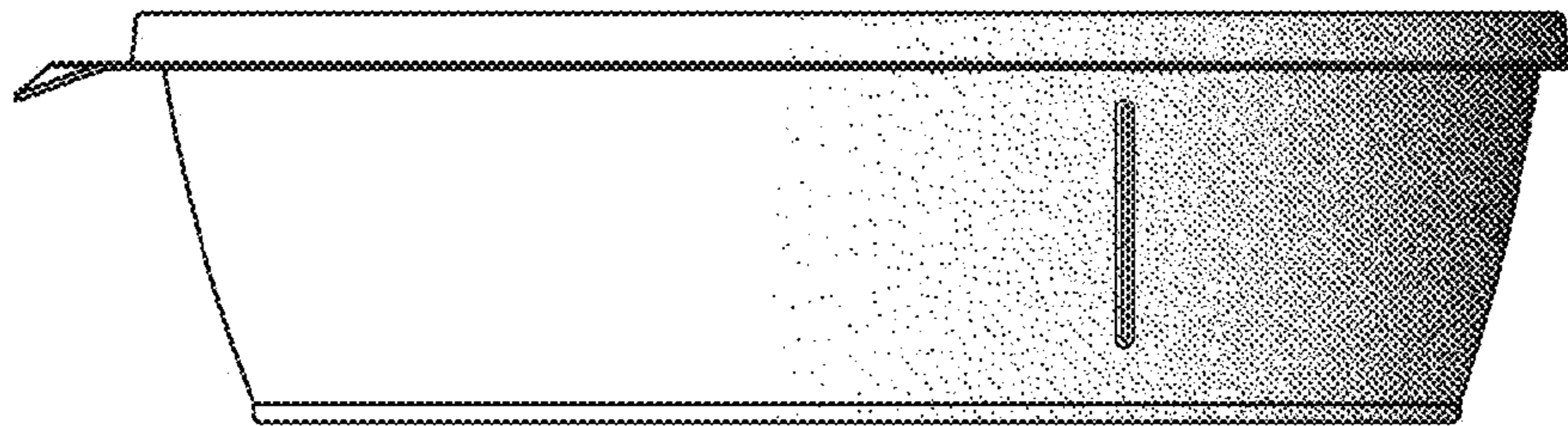


Fig. 5

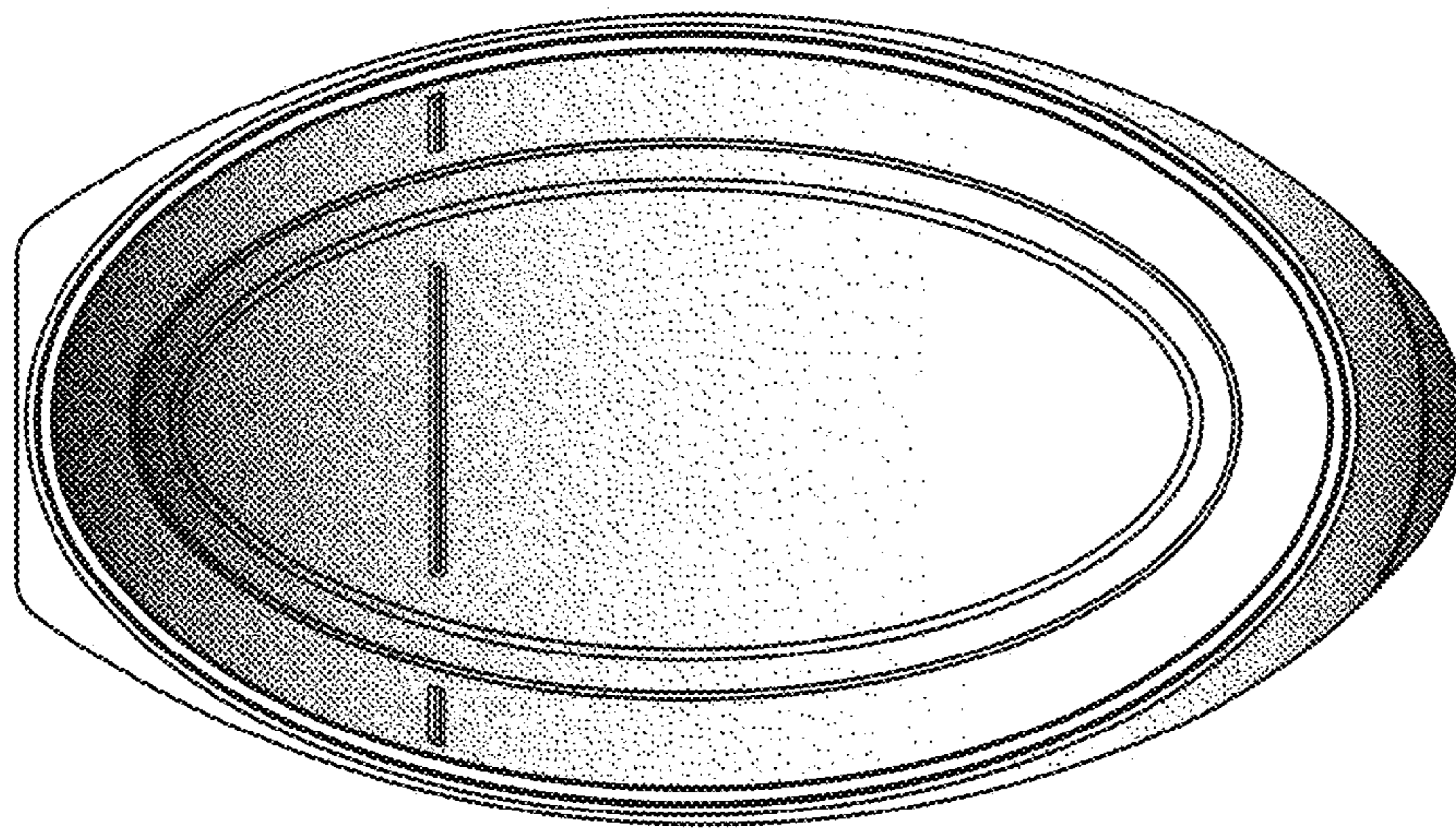


Fig. 6

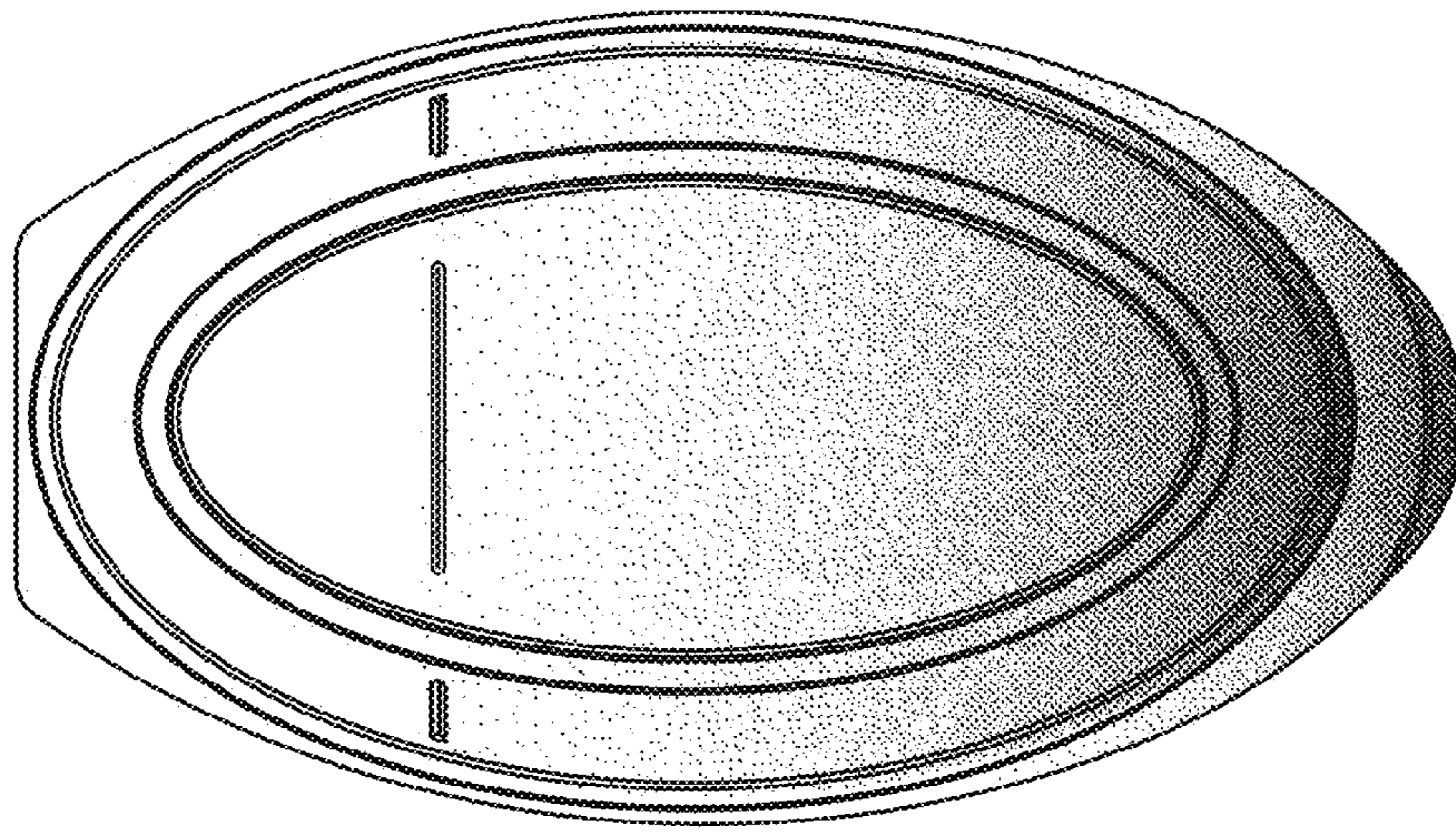


Fig. 7