



US00D735530S

(12) **United States Design Patent**
Smith

(10) **Patent No.:** **US D735,530 S**

(45) **Date of Patent:** **** Aug. 4, 2015**

(54) **BLENDER CONTAINER**

(71) Applicant: **Euro-Pro Operating LLC**, Newton, MA (US)

(72) Inventor: **Cory Smith**, Auburndale, MA (US)

(73) Assignee: **Euro-Pro Operating LLC**, Newton, MA (US)

(**) Term: **14 Years**

(21) Appl. No.: **29/484,129**

(22) Filed: **Mar. 6, 2014**

(51) **LOC (10) Cl.** **31-00**

(52) **U.S. Cl.**
USPC **D7/413; D7/376; D7/378**

(58) **Field of Classification Search**
USPC D7/300.1, 372, 376-386, 396.2, D7/412-413, 507, 536, 602, 629, 665-666, D7/669, 679, 693-694; D19/73; 99/509-511; 241/92, 98, 241/101.01-101.2, 166-169.1, 274-278.2, 241/285.1-285.3, 291, 292.1; 366/64-65, 366/97-98, 100, 130, 197-201, 205-207, 366/219-220, 341-343

CPC A21C 1/02; A21C 1/04; A23N 1/00; A23N 1/02; A47J 43/04; A47J 43/25; A47J 43/27; A47J 43/042; A47J 43/044; A47J 43/046; A47J 43/075; A47J 43/0722; A47J 43/0727; B01F 3/00; B01F 3/0807; B01F 3/0853; B01F 13/0059; B01F 13/0064; B02C 1/08; B02C 2/04; B02C 4/42; B02C 4/142; B02C 4/143; B02C 4/423; B02C 13/1835; B28C 5/10; B28C 5/12; B28C 5/14; B28C 5/16

See application file for complete search history.

(56) **References Cited**

U.S. PATENT DOCUMENTS

D416,443 S 11/1999 Kilpatrick et al.
D428,768 S 8/2000 Betras

D459,947 S 7/2002 Cheng
D462,236 S 9/2002 Hurlbut
D479,949 S 9/2003 Janky
D480,601 S 10/2003 Pettaweebuncha
D487,668 S * 3/2004 Sands D7/378
D501,759 S * 2/2005 Sands D7/536
D507,721 S 7/2005 Schuler et al.
D517,862 S * 3/2006 Sands D7/396.2
D521,802 S * 5/2006 Sands D7/396.2
D522,304 S 6/2006 Huang
D536,216 S * 2/2007 Sands D7/507
D548,008 S 8/2007 Lin

(Continued)

FOREIGN PATENT DOCUMENTS

DK MA 0260 1955 8/1995

Primary Examiner — Ricky Pham

(74) *Attorney, Agent, or Firm* — Wolf, Greenfield & Sacks, P.C.

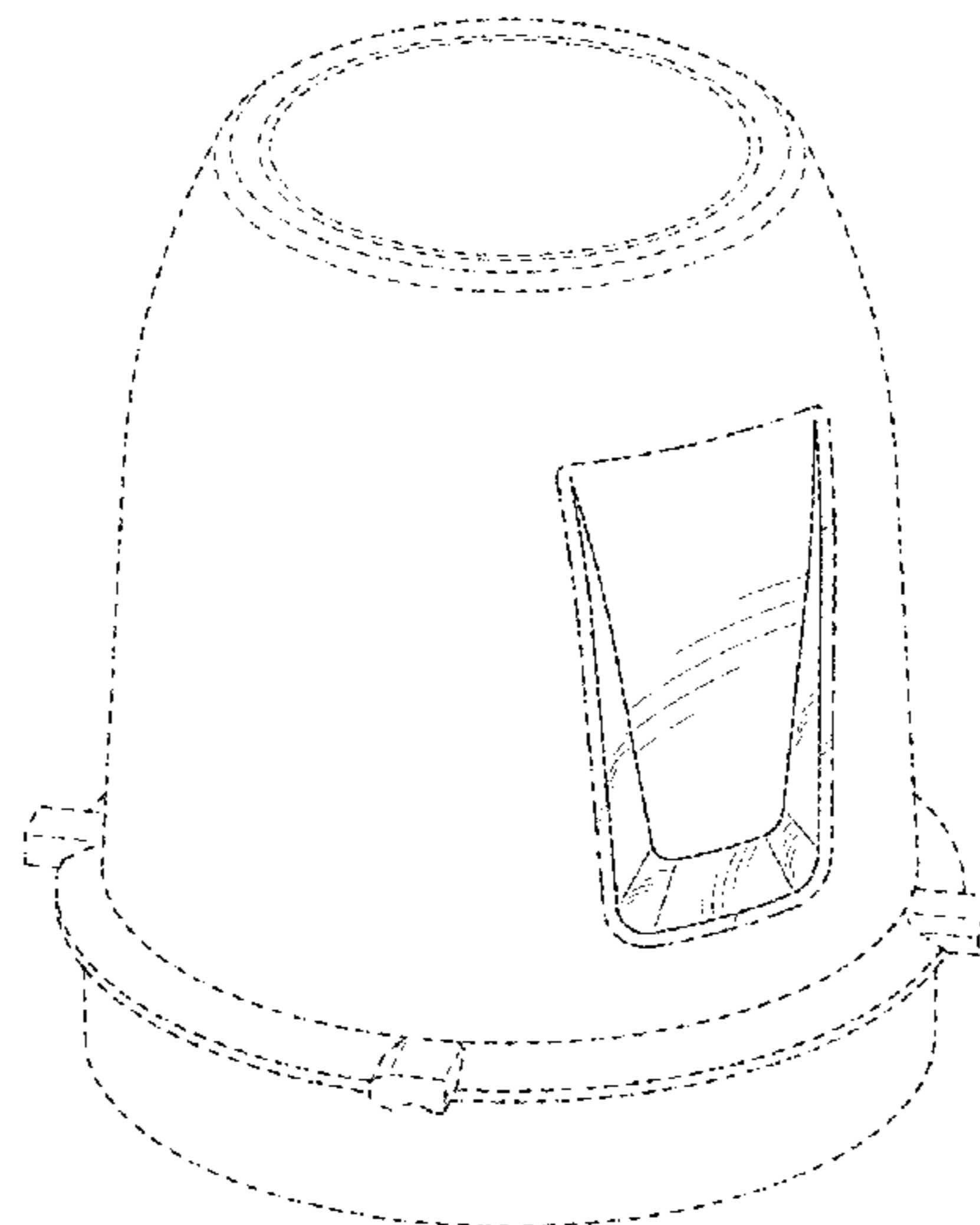
(57) **CLAIM**

The ornamental design for a blender container, as shown and described.

DESCRIPTION

FIG. 1 is a top, front, left side perspective view of a blender container showing my new design; FIG. 2 is a bottom, front, left side perspective view thereof; FIG. 3 is a front elevational view thereof; FIG. 4 is a rear elevational view thereof; FIG. 5 is a left side elevational view thereof; FIG. 6 is a right side elevational view thereof; FIG. 7 is a top plan view thereof; and, FIG. 8 is a bottom plan view thereof. The broken lines of FIGS. 1-8 illustrate portions of the blender container that form no part of the claimed design. The dash-dot-dash broken lines shown in FIGS. 1-3 and 5-7 define boundaries of the claimed design.

1 Claim, 8 Drawing Sheets



(56)

References Cited

U.S. PATENT DOCUMENTS

D554,427 S	*	11/2007	Sands	D7/378	D625,141 S	*	10/2010	Moore	D7/378
D580,227 S		11/2008	Roth et al.		D632,918 S		2/2011	Gordon	
D580,986 S	*	11/2008	Farnworth et al.	D19/73	D655,133 S		3/2012	Brinckerhoff et al.	
D587,969 S		3/2009	Gilbert		D661,547 S	*	6/2012	Brinckerhoff et al.	D7/413
D621,206 S	*	8/2010	Matta et al.	D7/372	D699,996 S	*	2/2014	De Leo	D7/300.1
					D702,999 S	*	4/2014	Audette et al.	D7/413
					D708,903 S	*	7/2014	Wong	D7/413

* cited by examiner

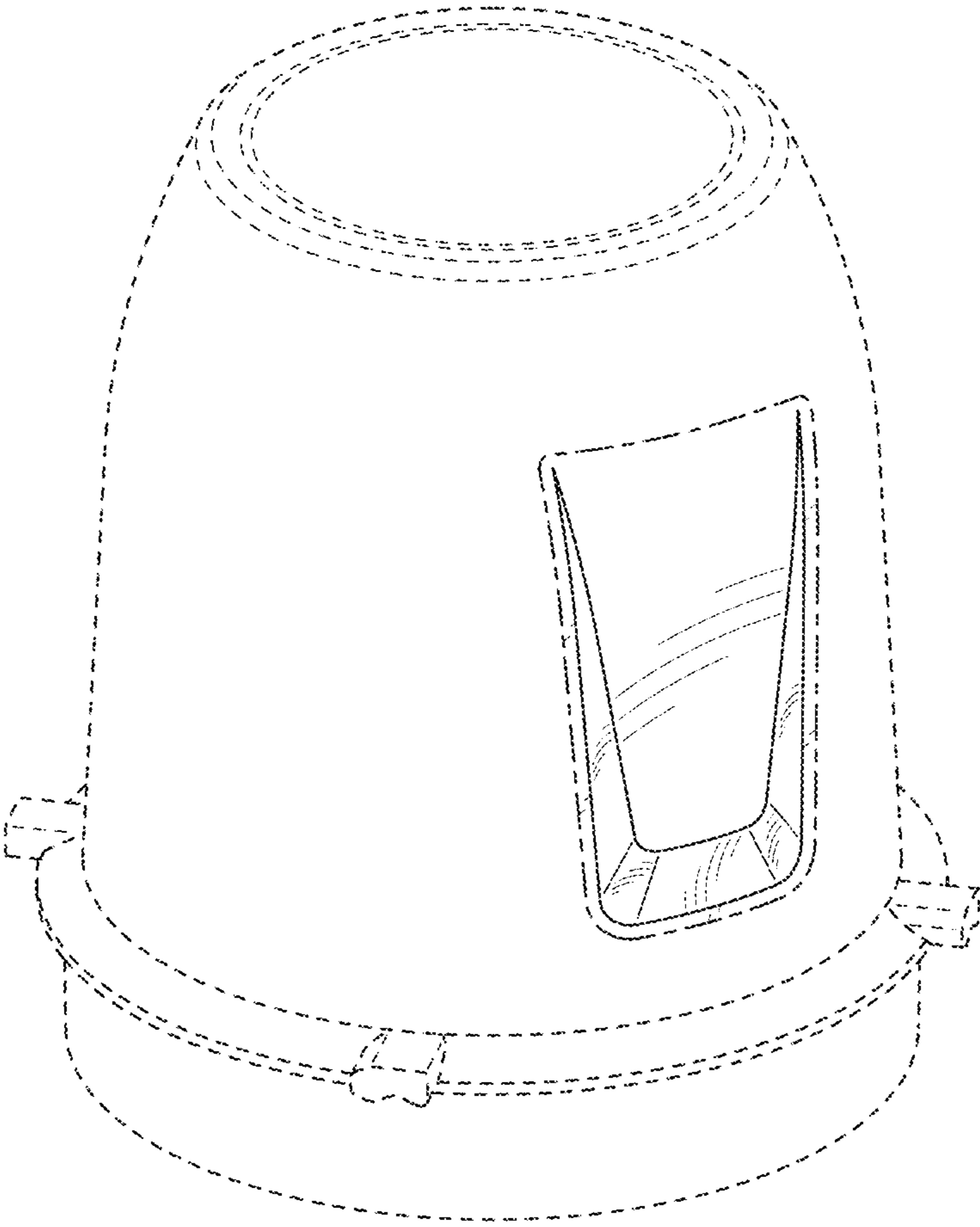


FIG. 1

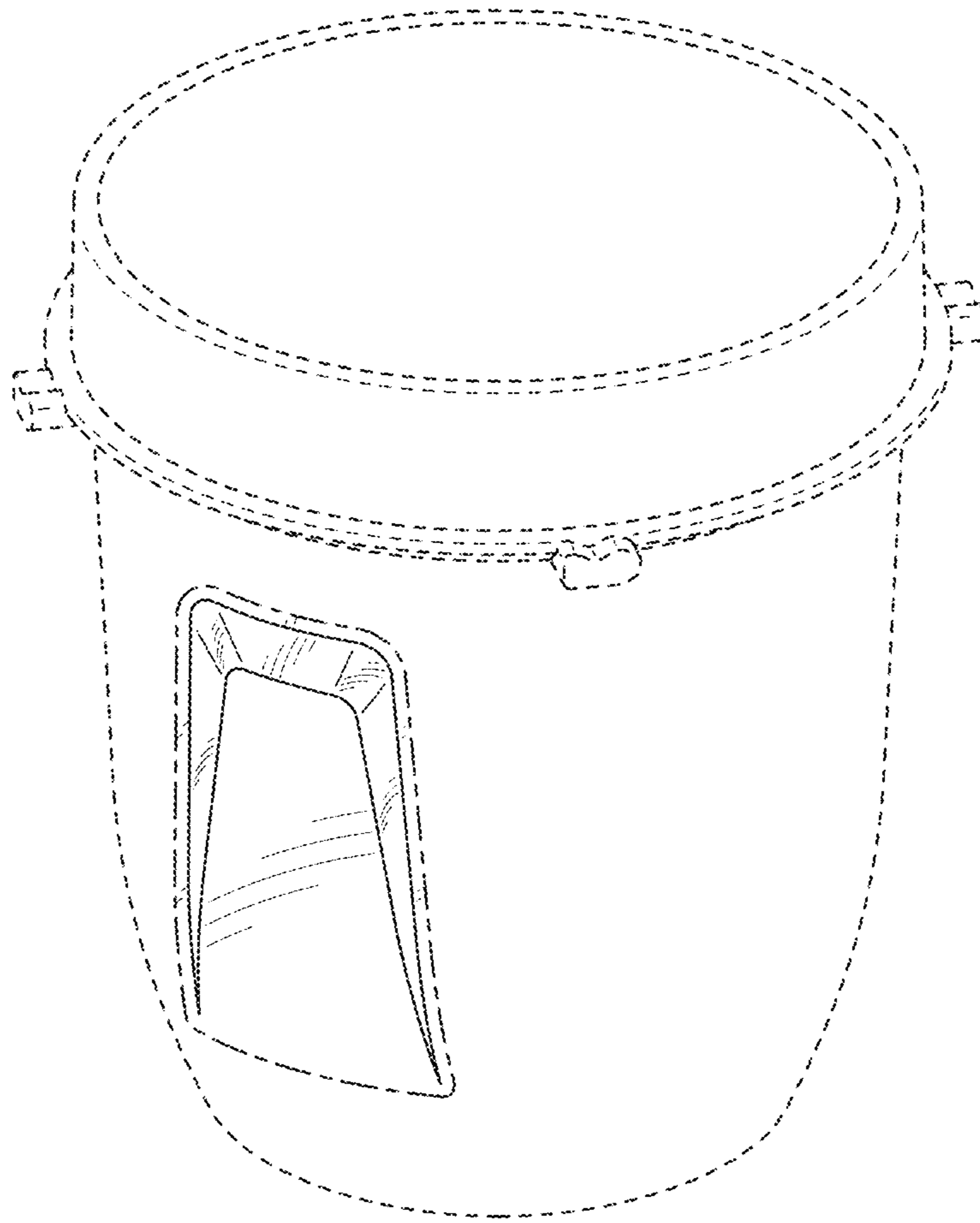


FIG. 2

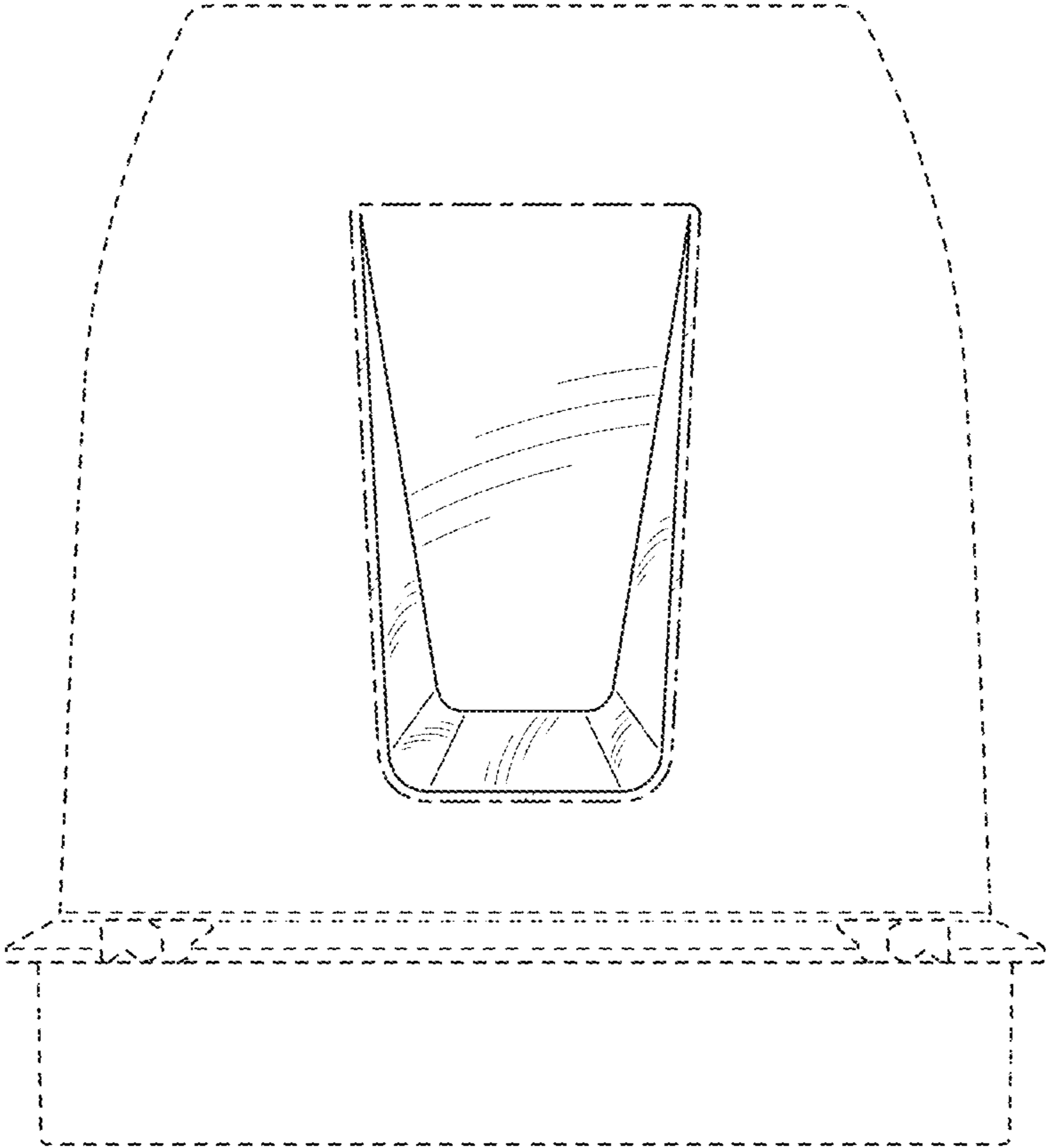


FIG. 3

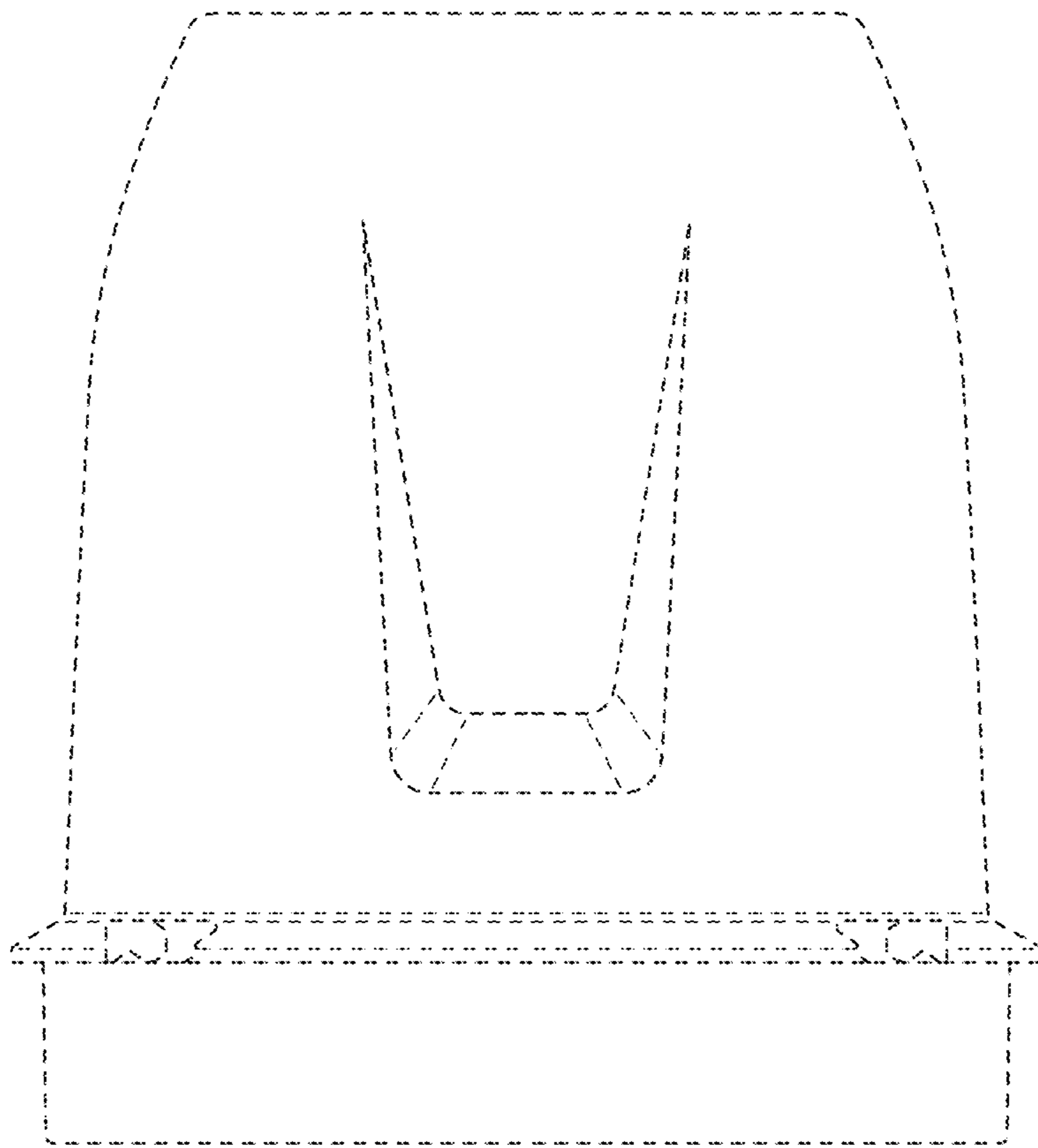


FIG. 4

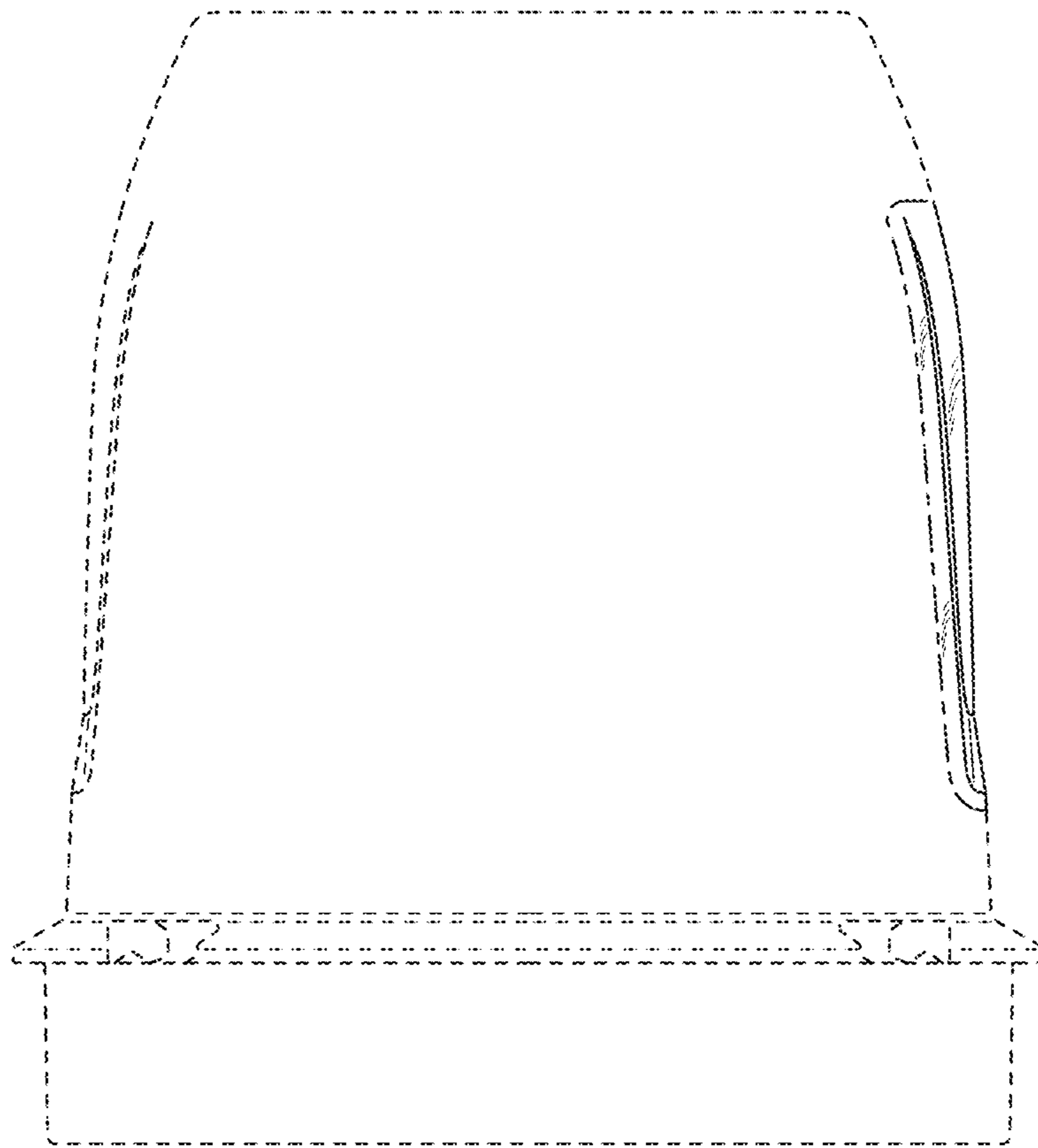


FIG. 5

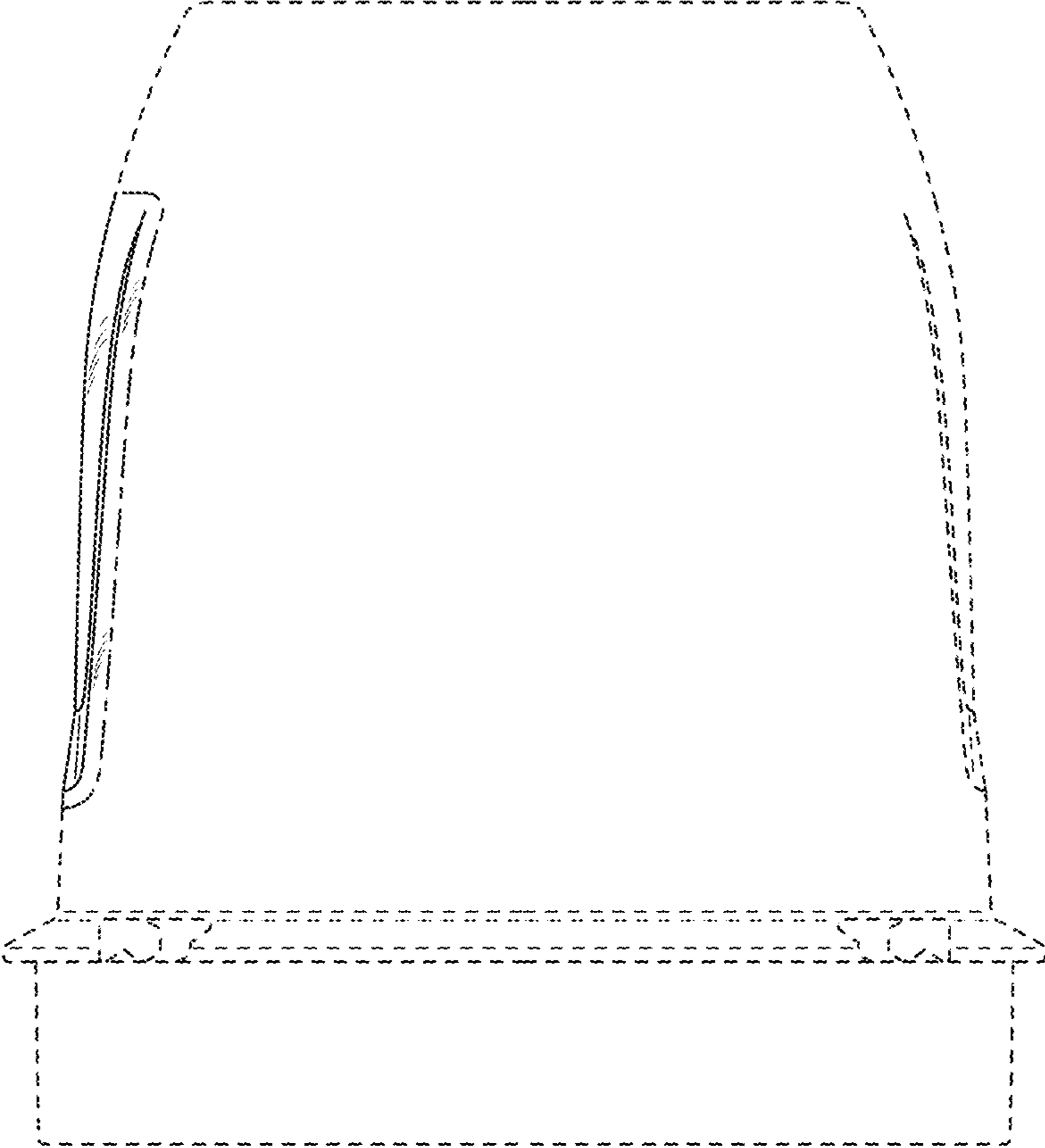


FIG. 6

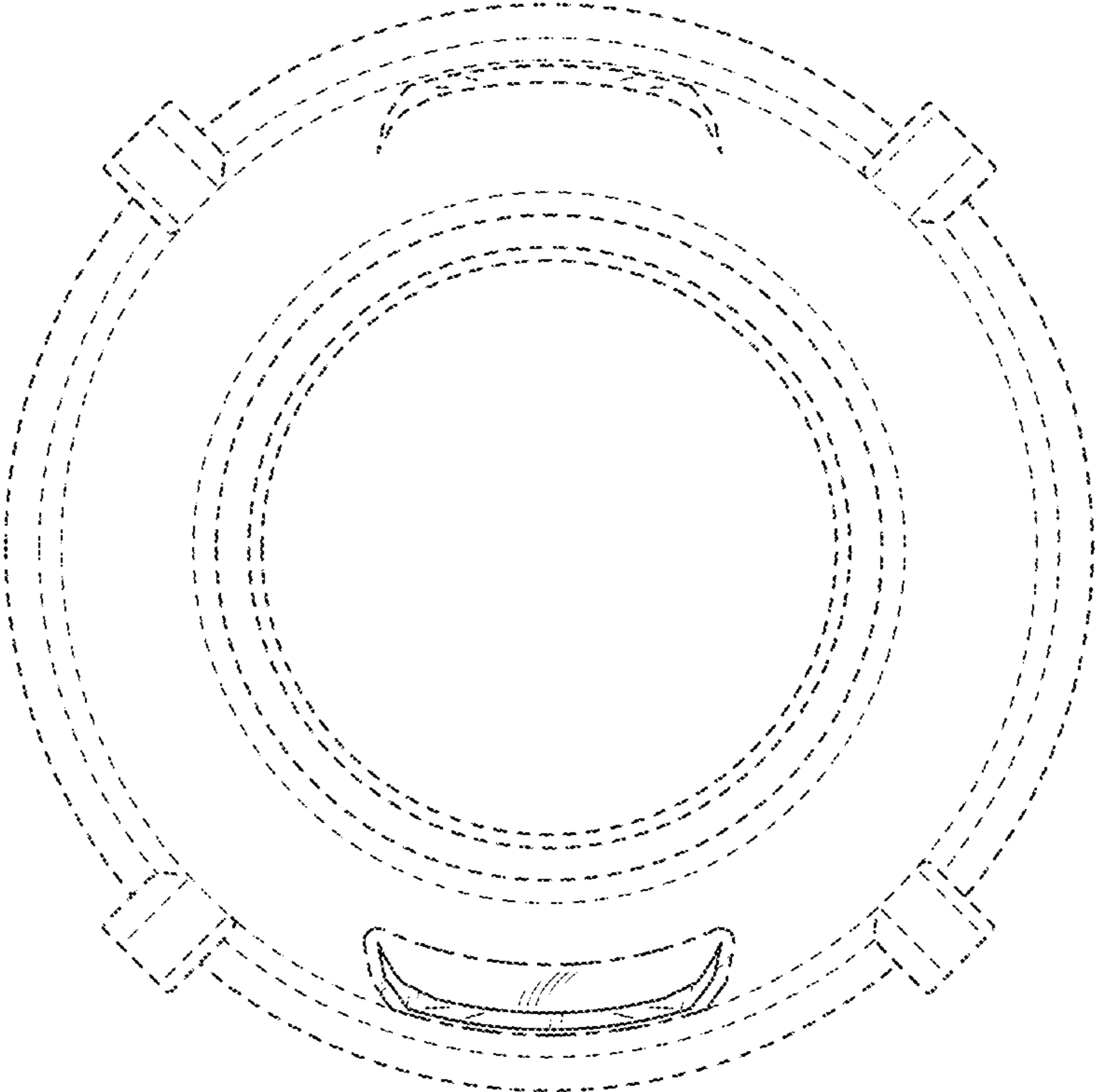


FIG. 7

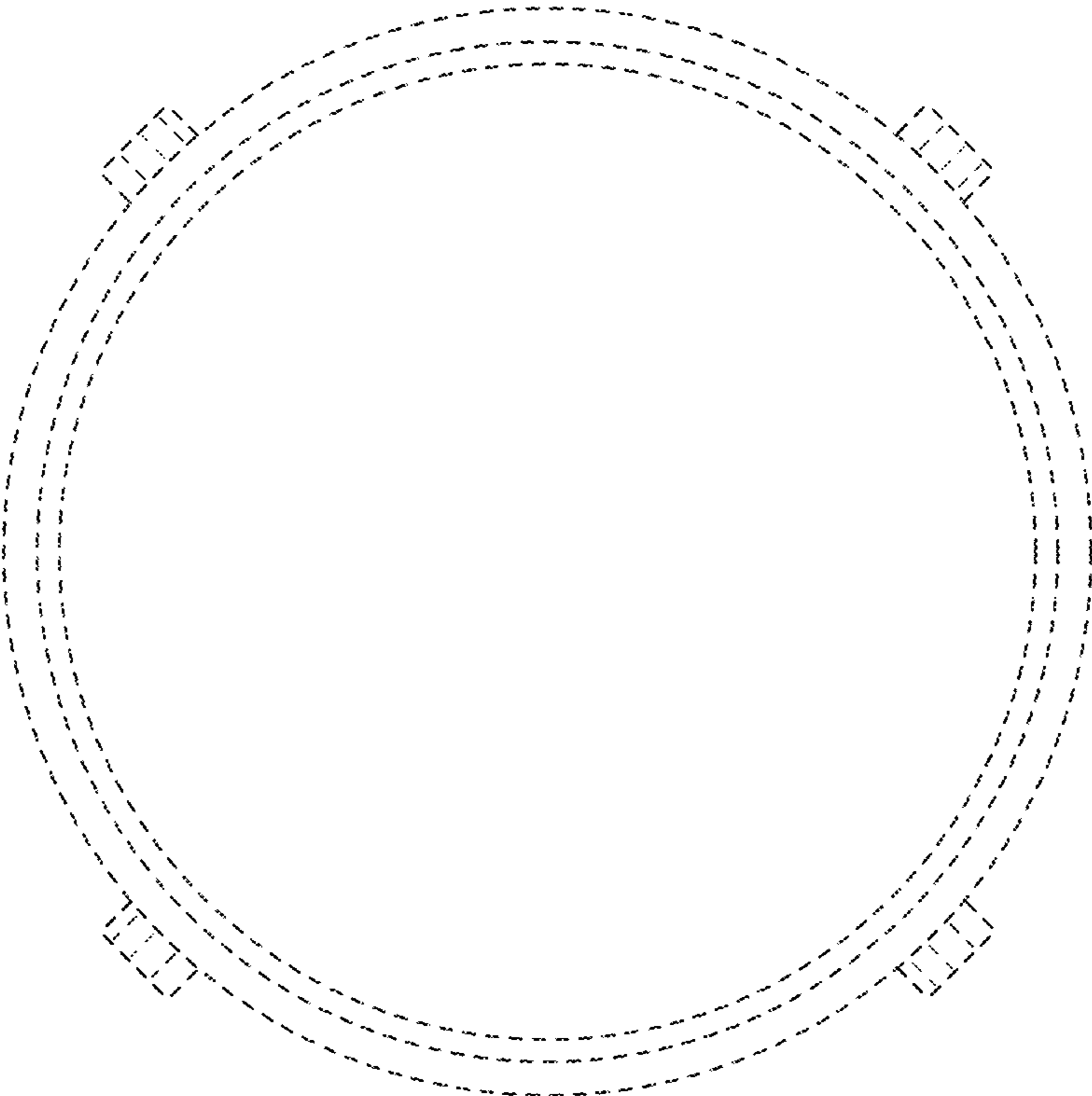


FIG. 8