



US00D735529S

(12) **United States Design Patent**  
**Bell**

(10) **Patent No.:** **US D735,529 S**

(45) **Date of Patent:** **\*\* Aug. 4, 2015**

(54) **CUTTING TOOL HANDLE**

(71) Applicant: **Grant Bell**, Davie, FL (US)

(72) Inventor: **Grant Bell**, Davie, FL (US)

(73) Assignee: **Grant Bell**, Davie, FL (US)

(\*\*) Term: **14 Years**

(21) Appl. No.: **29/485,751**

(22) Filed: **Mar. 21, 2014**

(51) **LOC (10) Cl.** ..... **07-03**

(52) **U.S. Cl.**  
USPC ..... **D7/401.2; D7/649**

(58) **Field of Classification Search**  
USPC ..... D7/368, 401.2, 642-645, 649-664, 669,  
D7/675-677, 683, 688-689, 691; D8/99,  
D8/107, 300-301; D21/576, 606-609,  
D21/625-627; D22/117-118; 16/110.1,  
16/407, 430; 30/1, 137, 142-150,  
30/322-329, 340, 342-345; 294/25-26,  
294/49, 55.5, 57

CPC ..... A01B 1/20; A01B 1/22; A01D 9/02;  
A01D 9/04; A01D 9/06; A47G 21/00; A47G  
21/004; A47G 21/005; A47G 21/02; A47G  
21/023; A47G 21/04; A47G 21/06; A47G  
21/08; A47J 43/28; A47J 43/281; A47J  
43/282; A61F 13/10; A61J 7/0023; B25G  
1/00; B25G 1/01; B25G 1/02; B25G 3/00;  
B26B 3/00; B26B 3/02; B26B 11/00; B26B  
11/006; B65D 75/56; B65D 75/563; B65D  
75/566; B67B 7/00; B67B 7/724; B67B 7/73

See application file for complete search history.

(56) **References Cited**

U.S. PATENT DOCUMENTS

D296,179 S *	6/1988	Hagberg et al. ....	D7/649
D365,266 S *	12/1995	Hasegawa .....	D8/99
D496,425 S *	9/2004	Carter, III .....	D22/118
D551,517 S *	9/2007	Tarrerias .....	D7/649
D623,483 S *	9/2010	Gerlach .....	D7/649
D639,632 S *	6/2011	Freeman et al. ....	D8/99
D697,780 S *	1/2014	Pelton .....	D8/99
D709,739 S *	7/2014	Zucchi .....	D7/649
D713,215 S *	9/2014	Bird .....	D7/649
D723,876 S *	3/2015	Tkachenko .....	D7/649

\* cited by examiner

*Primary Examiner* — Ricky Pham

(74) *Attorney, Agent, or Firm* — McDonald Hopkins LLC

(57) **CLAIM**

The ornamental design of a cutting tool handle, as shown and described.

**DESCRIPTION**

FIG. 1 is a perspective view of a cutting tool handle showing my new design;

FIG. 2 is a first side view thereof;

FIG. 3 is a top view thereof;

FIG. 4 is a bottom view thereof;

FIG. 5 is a second side view thereof; and,

FIG. 6 is a rear view thereof.

The broken lines in the figures are included for the purpose of illustrating portions of a cutting tool and form no part of the claimed design.

**1 Claim, 6 Drawing Sheets**

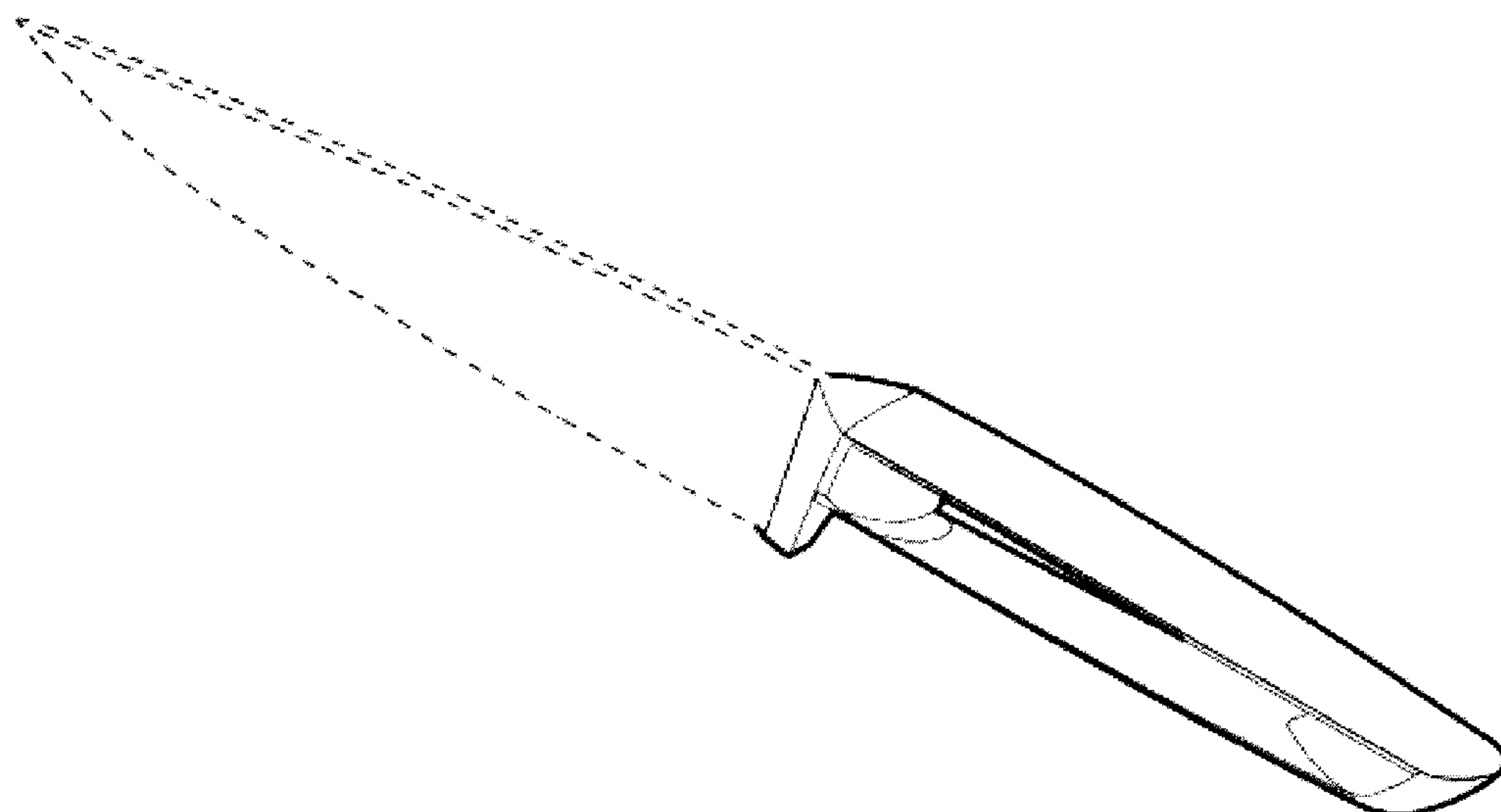
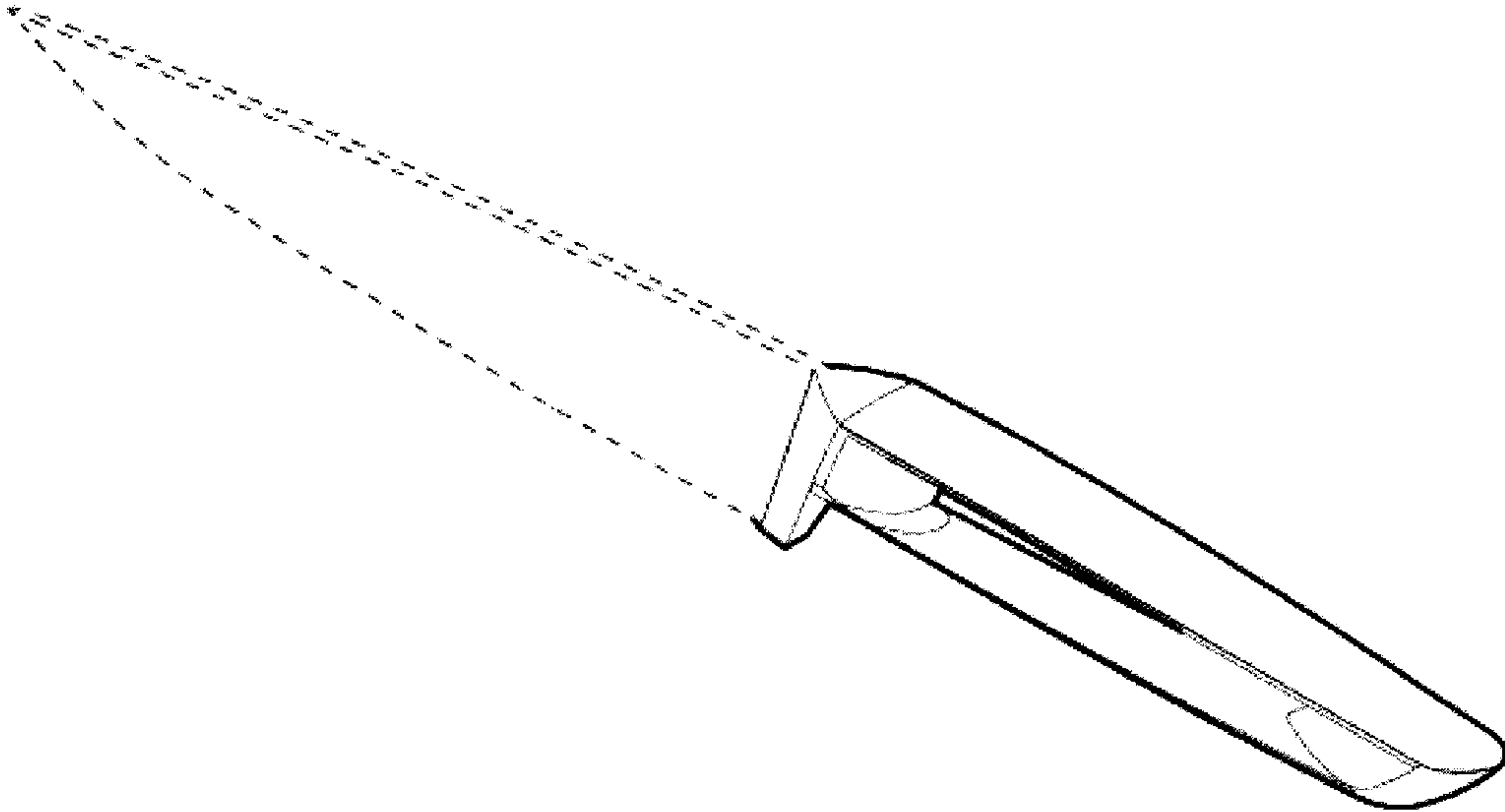
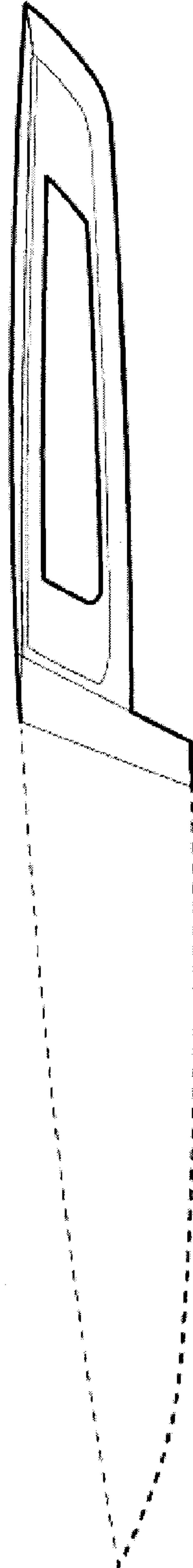


FIG. 1



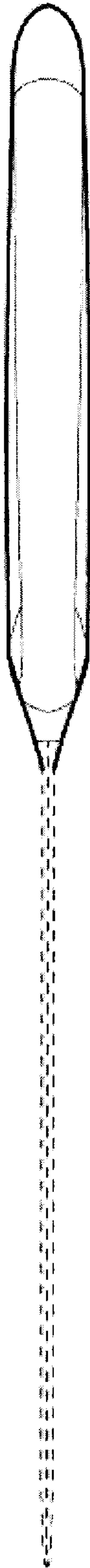
**FIG. 2**



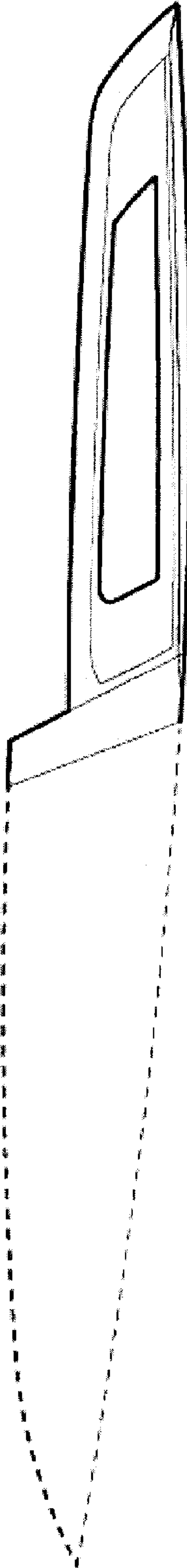
**FIG. 3**



**FIG. 4**



**FIG. 5**



***FIG. 6***

