



US00D735526S

(12) **United States Design Patent**  
**Chase et al.**

(10) **Patent No.:** **US D735,526 S**  
(45) **Date of Patent:** **\*\* Aug. 4, 2015**

(54) **SPIGOT**

(71) Applicant: **TARGET BRANDS, INC.**,  
Minneapolis, MN (US)  
(72) Inventors: **Mark Chase**, Minneapolis, MN (US);  
**Kendal Lynn Dudek**, Minneapolis, MN  
(US); **Stacy Lee Abel**, Maple Grove,  
MN (US)  
(73) Assignee: **Target Brands, Inc.**, Minneapolis, MN  
(US)  
(\*\*) Term: **14 Years**

(21) Appl. No.: **29/487,898**  
(22) Filed: **Apr. 14, 2014**  
(51) **LOC (10) Cl.** ..... **31-00**  
(52) **U.S. Cl.**  
USPC ..... **D7/398**; D7/397; D23/238  
(58) **Field of Classification Search**  
USPC ..... D7/398, 397, 213, 399, 387, 313;  
D23/263, 213, 238, 233, 242, 249,  
D23/321; 99/337, 410, 366; 137/614.05,  
137/614.06, 614.16, 800; 222/518, 511,  
222/185.1  
CPC ..... B67D 3/00; B65D 63/00; B21D 39/00;  
A23L 1/00; A47J 37/12; E03B 1/00; F16L  
35/00; B05B 1/28  
See application file for complete search history.

(56) **References Cited**

**U.S. PATENT DOCUMENTS**

186,321 A	1/1877	Divine	
232,404 A	9/1880	Johnson	
537,755 A	4/1895	Crozier	
550,303 A	11/1895	Tissier	
1,403,396 A	1/1922	Erickson	
1,898,577 A	2/1933	Ford	
D135,732 S *	5/1943	Stone	..... D23/235
2,695,036 A	11/1954	Kronheim	
2,887,072 A	5/1959	Watkins	
3,030,975 A	4/1962	Mueller	

(Continued)

**OTHER PUBLICATIONS**

“Glass Footed Beverage Dispenser,” printed from <http://www.williams-sonoma.com/products/monogrammed-glass-footed-beverage-dispenser/?pkey=cbeverage-dispenser-bucket>, publicly available at least as early as Sep. 14, 2012 (3 pages).

(Continued)

*Primary Examiner* — Marianne Pandozzi

*Assistant Examiner* — Jae Liang

(74) *Attorney, Agent, or Firm* — Griffiths & Seaton PLLC;  
JoAnn M. Seaton

(57) **CLAIM**

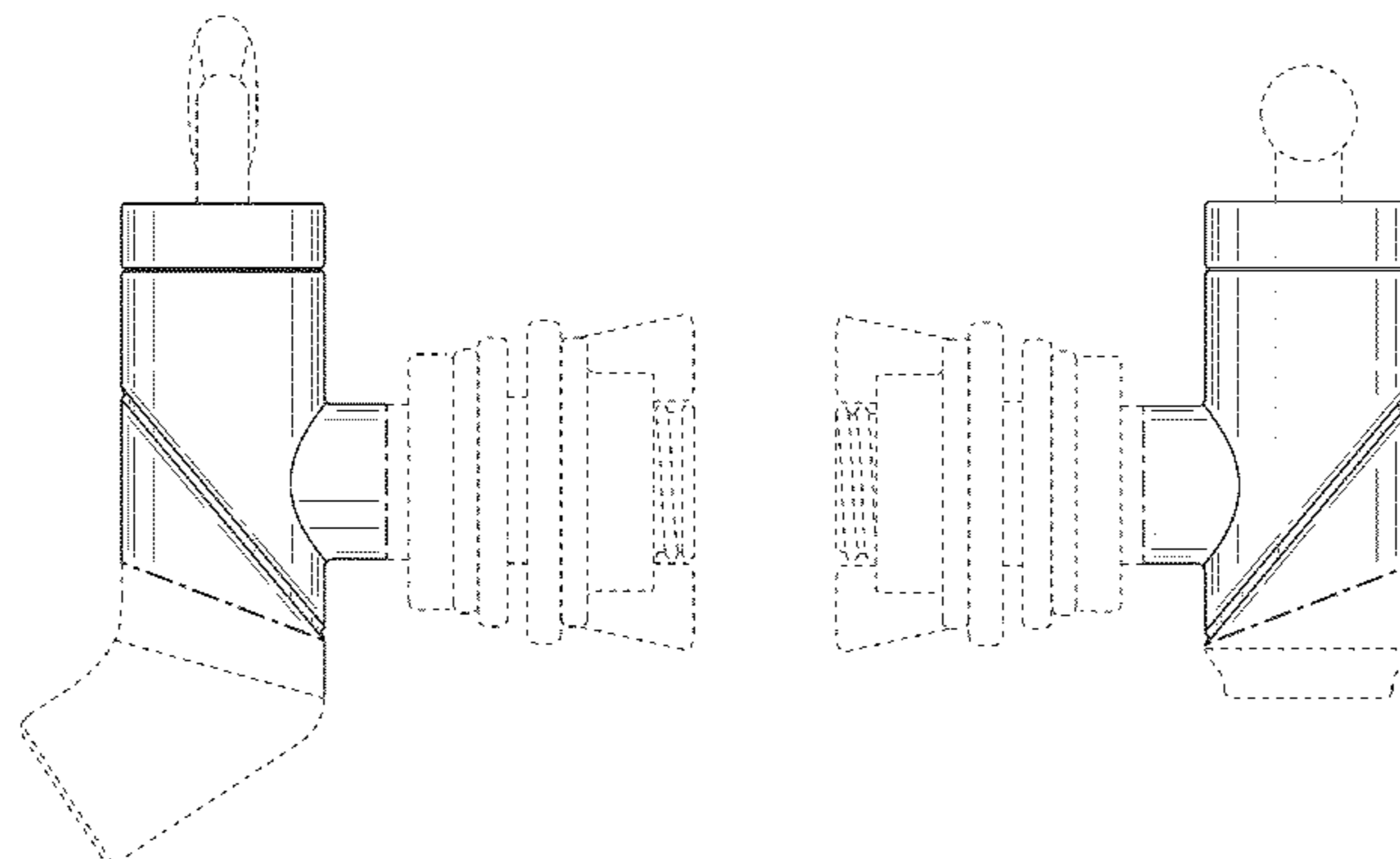
The ornamental design for a spigot, as shown and described.

**DESCRIPTION**

FIG. 1 is a top, front perspective view of a first embodiment of a spigot showing our new design; FIG. 2 is a front view thereof; FIG. 3 is a rear view thereof; FIG. 4 is a right side view thereof; FIG. 5 is a left side view thereof; FIG. 6 is a top view thereof; and FIG. 7 is a bottom view thereof. FIG. 8 is a top, front perspective view of a second embodiment of a spigot; FIG. 9 is a front view thereof; FIG. 10 is a rear view thereof; FIG. 11 is a right side view thereof; FIG. 12 is a left side view thereof; FIG. 13 is a top view thereof; and FIG. 14 is a bottom view thereof.

The features shown in broken lines are portions of the spigot forming no part of the claimed design. The features shown in long dash-short dash bolded broken lines indicate the bounds of the claimed design and otherwise form no part of the claimed design.

**1 Claim, 8 Drawing Sheets**



(56)

References Cited

U.S. PATENT DOCUMENTS

3,166,097 A 1/1965 Hinderer et al.  
 3,433,261 A 3/1969 Fox  
 3,540,694 A 11/1970 Cornelius  
 3,815,871 A 6/1974 Carlson  
 4,699,358 A 10/1987 Iqbal  
 4,765,590 A 8/1988 Hayman  
 4,807,660 A 2/1989 Aslanian  
 4,854,545 A 8/1989 Pezzarossi  
 5,372,158 A 12/1994 Berfield  
 D363,763 S \* 10/1995 Starck ..... D23/243  
 D400,645 S \* 11/1998 Kergoet ..... D23/238  
 D401,477 S \* 11/1998 Martindale ..... D7/590  
 D420,430 S \* 2/2000 Lobermeier ..... D23/238  
 6,056,157 A 5/2000 Gehl et al.  
 D440,631 S \* 4/2001 Shipway ..... D23/233  
 D453,369 S \* 2/2002 Lobermeier ..... D23/213  
 D455,597 S \* 4/2002 Lefroy-Brooks ..... D7/313  
 D525,342 S \* 7/2006 Starck ..... D23/238  
 D527,795 S \* 9/2006 Haug et al. .... D23/238  
 D555,770 S \* 11/2007 Belisle ..... D23/238  
 D577,418 S \* 9/2008 Lammel et al. .... D23/238  
 D640,772 S \* 6/2011 Cummings et al. .... D23/213  
 D676,112 S \* 2/2013 Wu ..... D23/238  
 D693,433 S \* 11/2013 Starck ..... D23/238  
 D703,990 S \* 5/2014 Henderson ..... D7/306

2008/0078970 A1\* 4/2008 Craft ..... 251/144  
 2009/0241584 A1\* 10/2009 Hayes et al. .... 62/390  
 2013/0037579 A1 2/2013 Lagares Corominas

OTHER PUBLICATIONS

“Coffee & Tea Beverage Dispenser & Spigot,” printed from <http://www.thisnext.com/item/FDA27D64/Coffee-Tea-Beverage-Dispenser>, publicly available as least as early as Jan. 15, 2014 (3 pages).  
 “Igloo 400 Series Replacement Spigot for Igloo Beverage Coolers,” printed from [http://www.restaurantsupplypro.com/product/igloo-24009?utm\\_source=googlepepla&utm\\_medium=adwords&gclid=CI6-8PCBgbwCFclMgodRg4AUA](http://www.restaurantsupplypro.com/product/igloo-24009?utm_source=googlepepla&utm_medium=adwords&gclid=CI6-8PCBgbwCFclMgodRg4AUA), publicly available at least as early as Jan. 15, 2014 (2 pages).  
 “Ceramic Yellow Beverage Dispenser,” printed from <http://www.classichostess.com/ceramicyellowbeveragedispenser.aspx>, publicly available at least as early as Jan. 20, 2014 (3 pages).  
 “3 Gallon Beverage Dispenser with Drip Free Spigot, Virtually Unbreakable Drink Reservoir,” printed from <http://lmeahujakgunakan90.wordpress.com/2013/04/09/3-gallon-beverage-dispenser-with-drip-free-spigot-virtually-unbreakable-drink-reservoir/>, publicly available at least as early as Jan. 20, 2014 (3 pages).  
 “Target Tuesday: Glass Beverage Dispenser,” printed from [http://suchprettythings.typepad.com/my\\_weblog/2009/06/target-tuesday-glass-beverage-dispenser.html](http://suchprettythings.typepad.com/my_weblog/2009/06/target-tuesday-glass-beverage-dispenser.html), Jun. 24, 2009 (7 pages).  
 Office Action from Canadian Patent Application No. 156,841, mailed Nov. 25, 2014 (2 pages).

\* cited by examiner

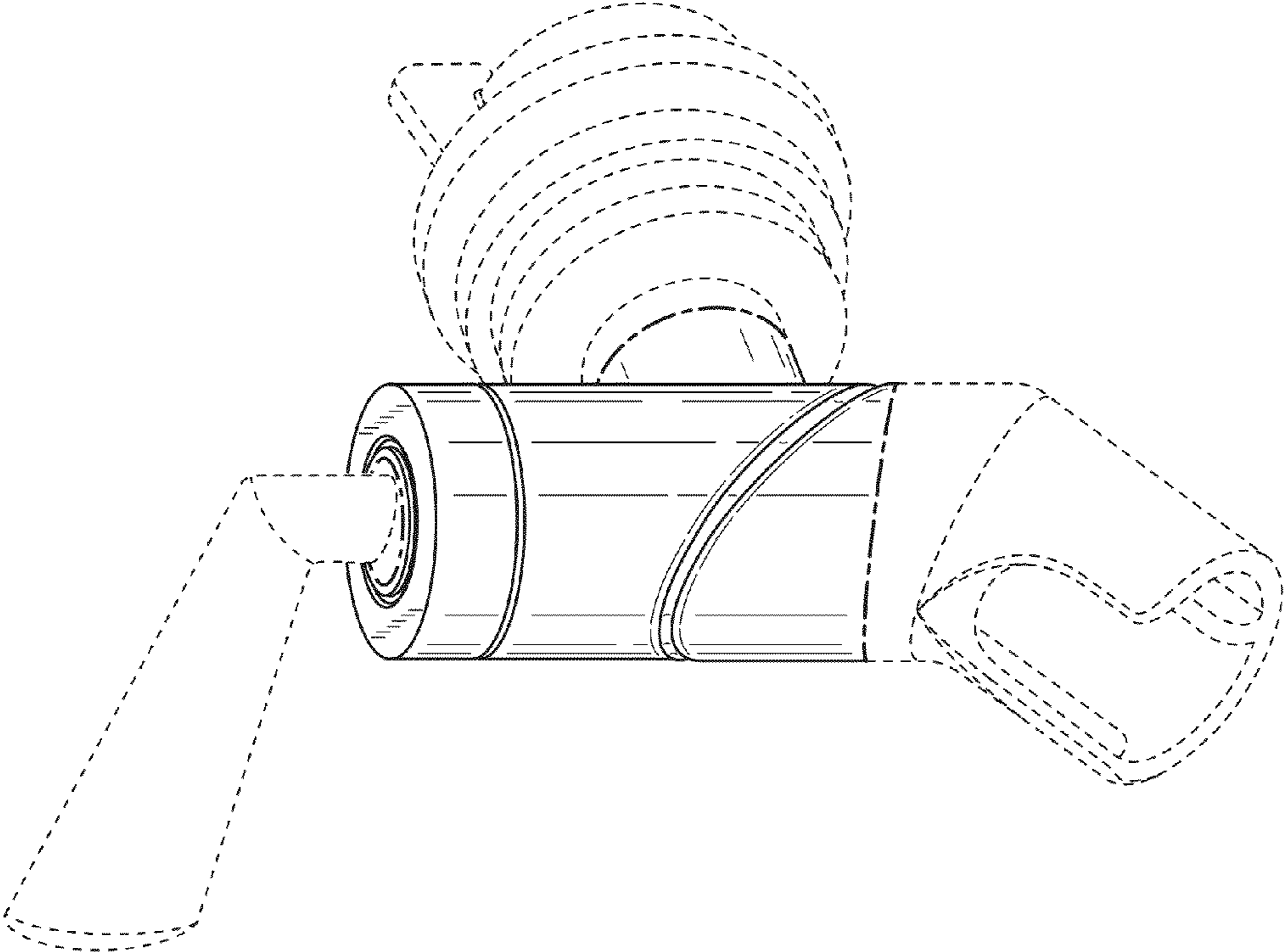


FIG. 1

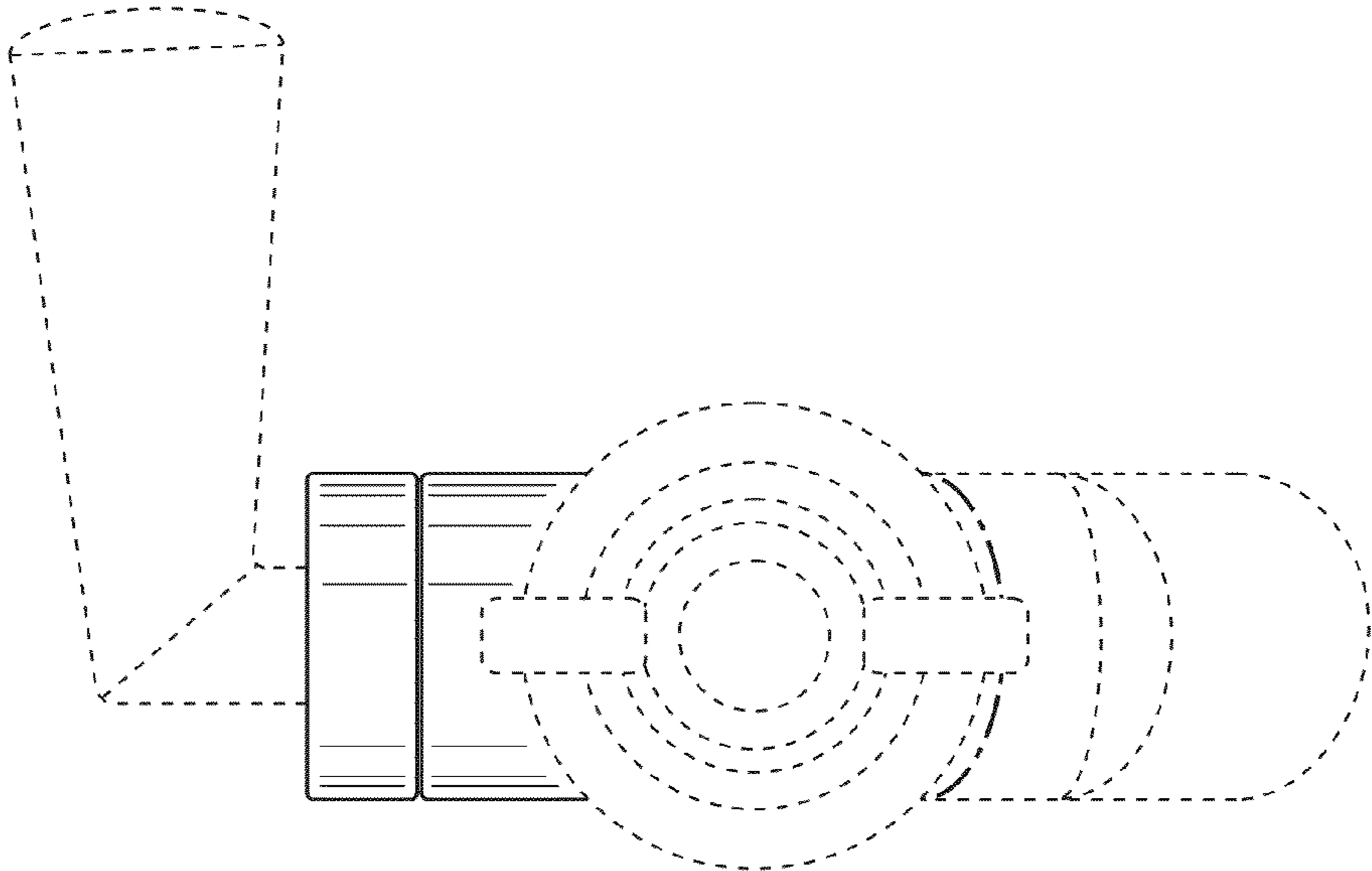


FIG. 2

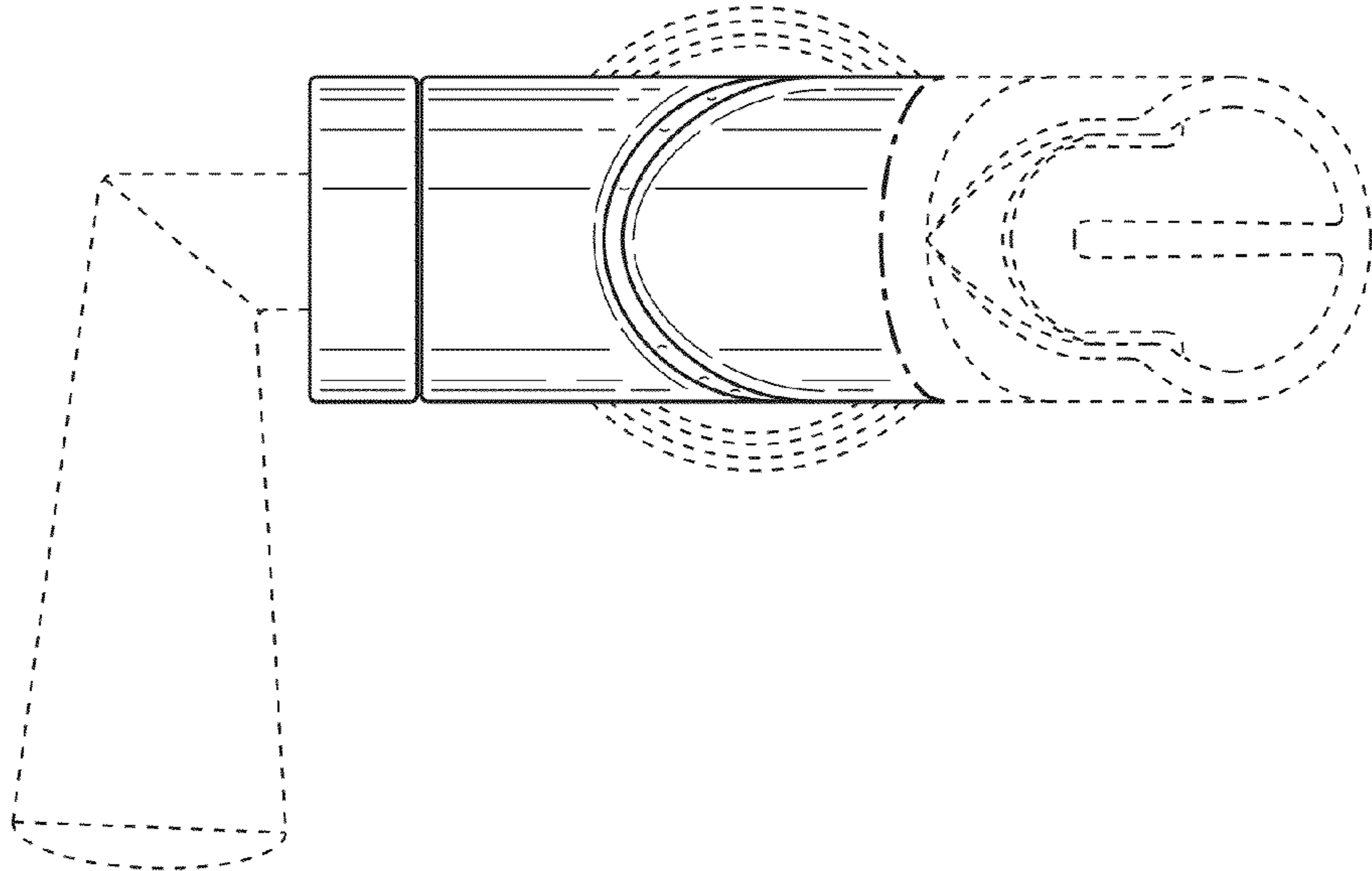


FIG. 3

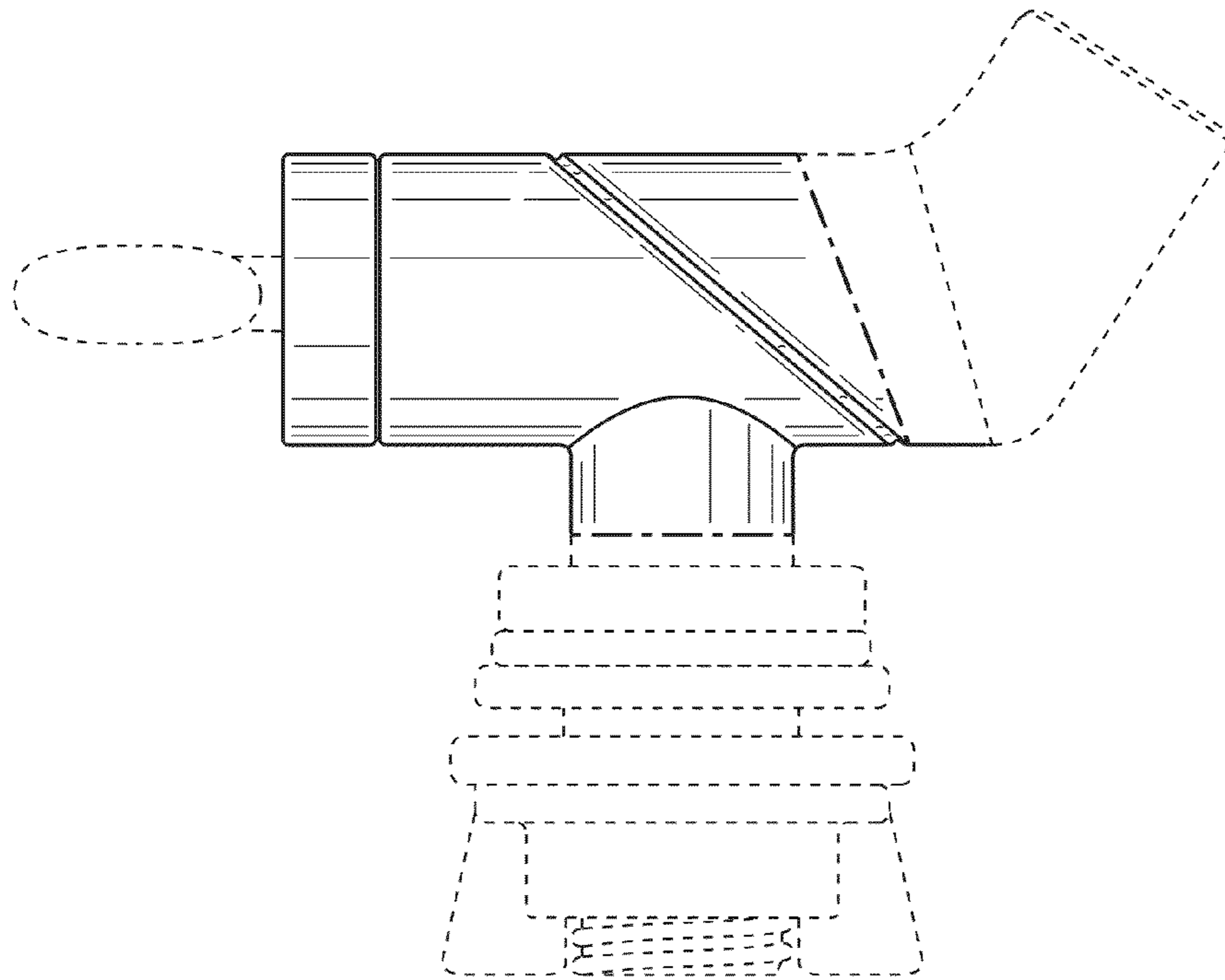


FIG. 5

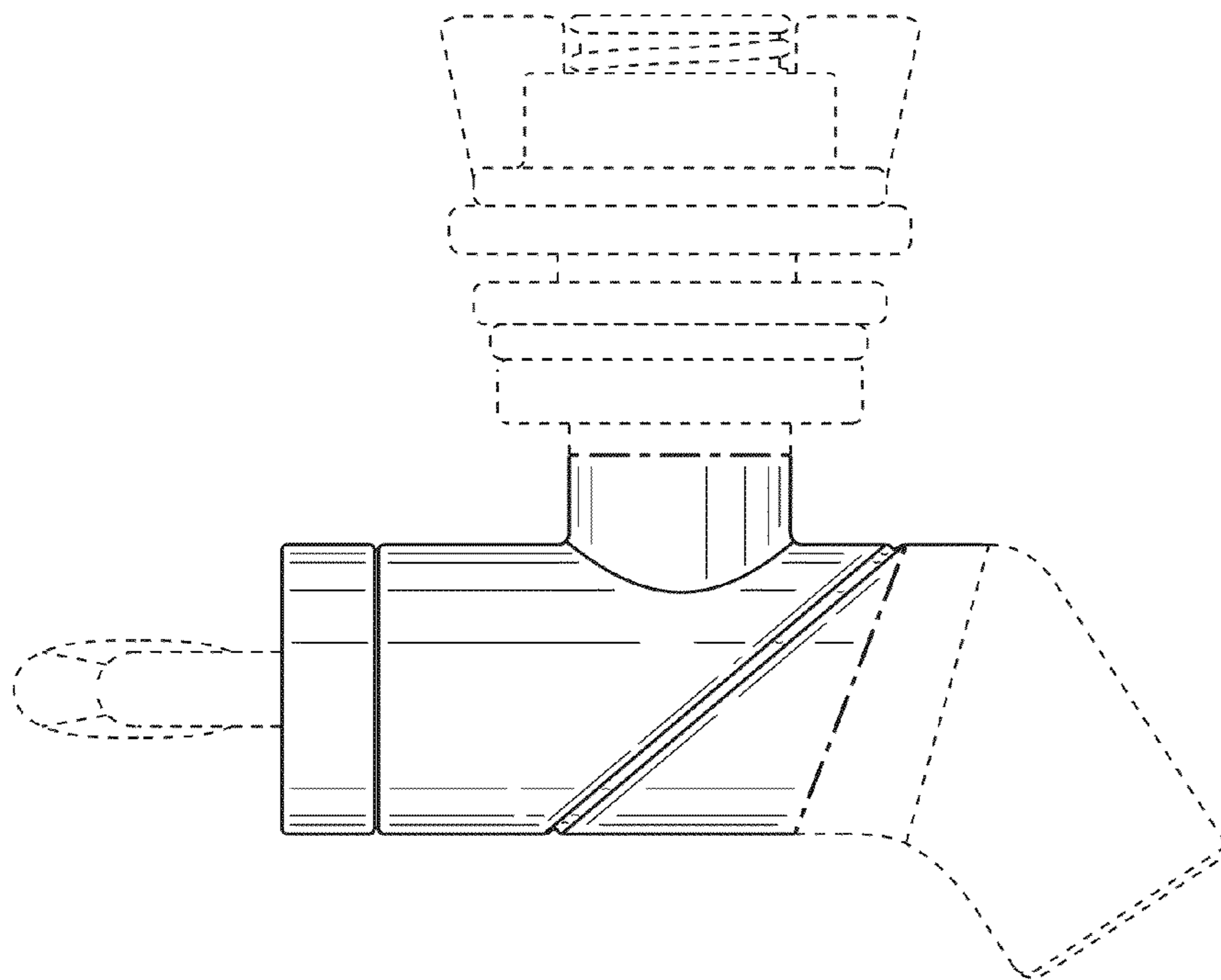


FIG. 4

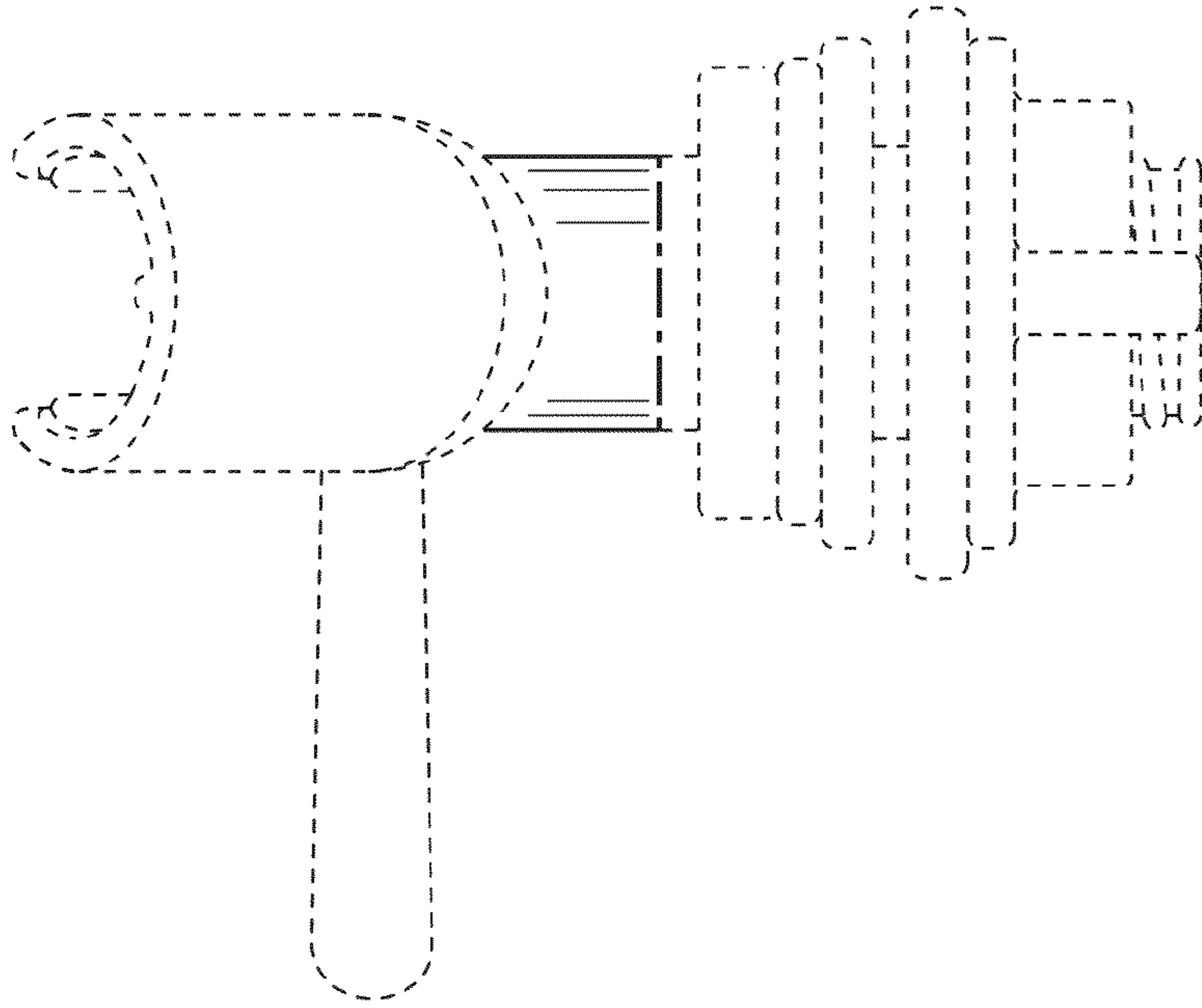


FIG. 7

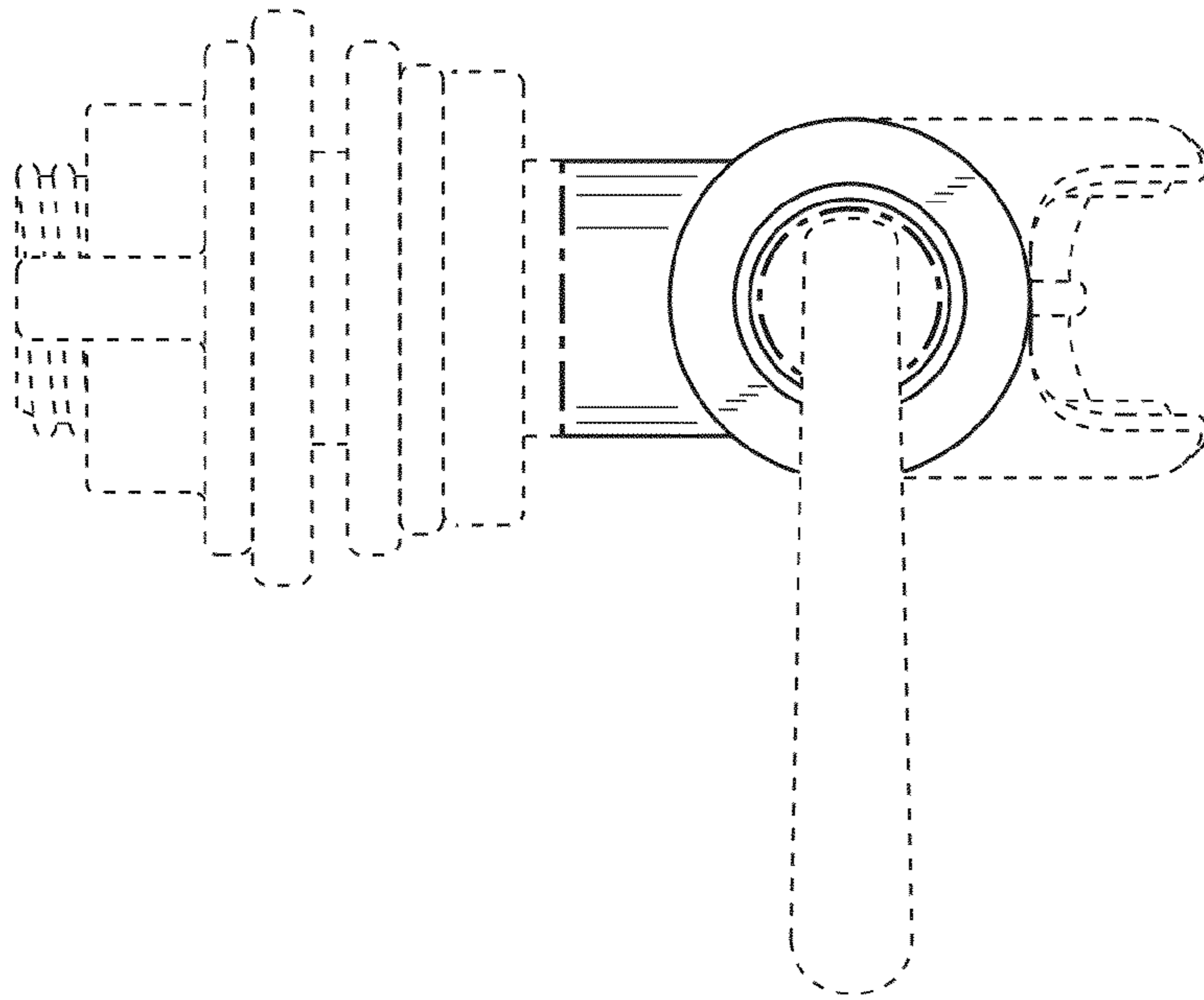


FIG. 6

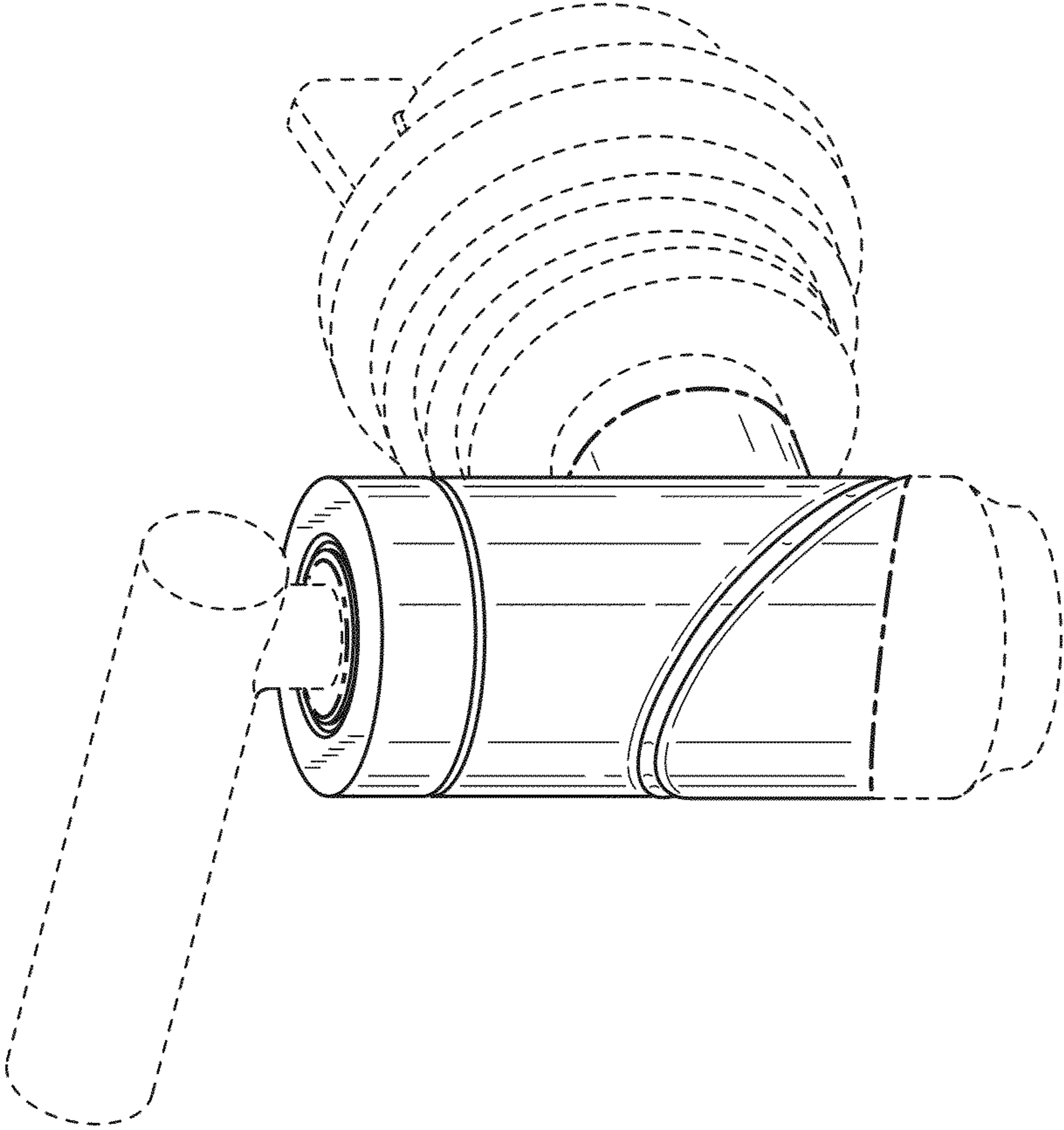


FIG. 8

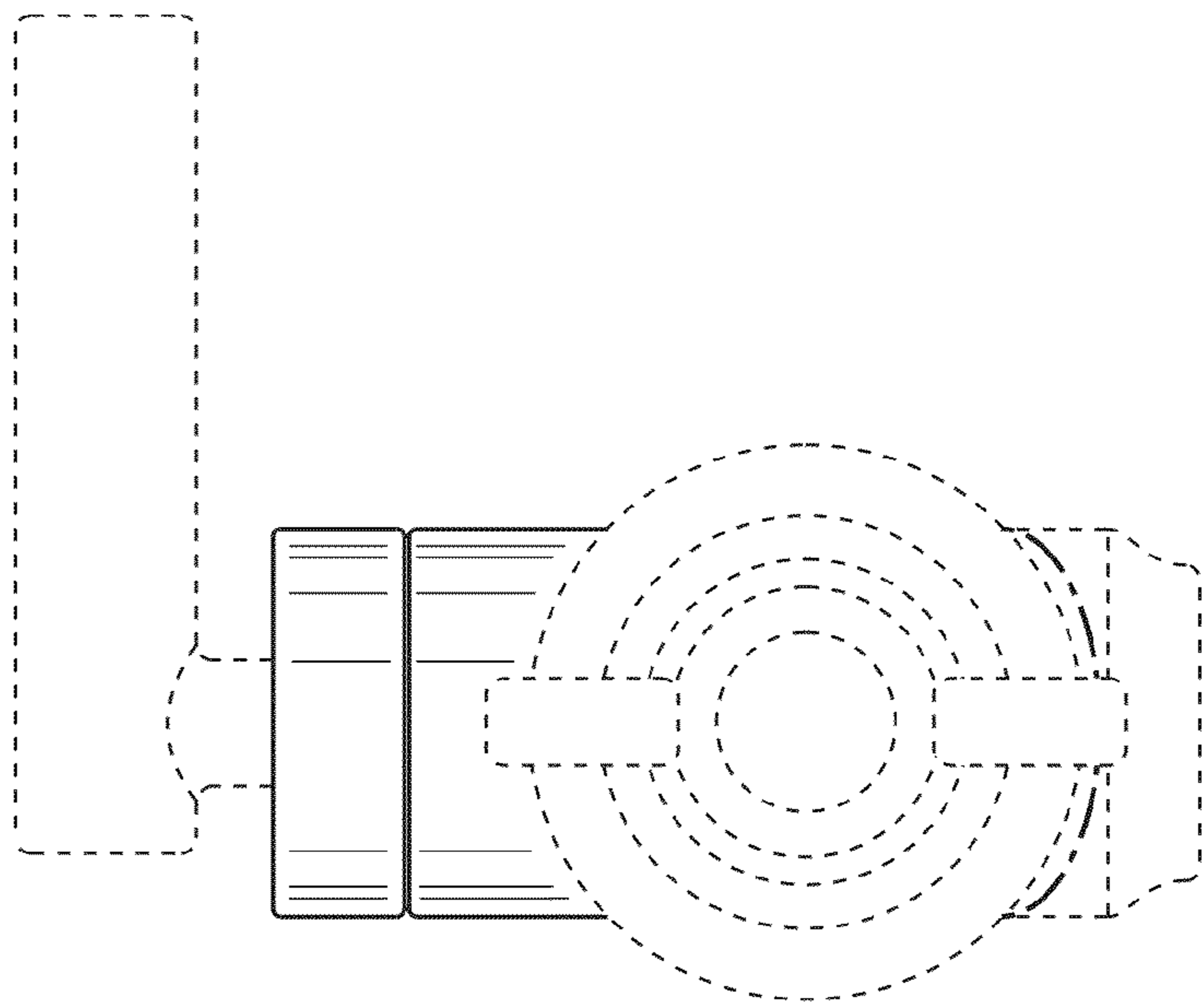


FIG. 10

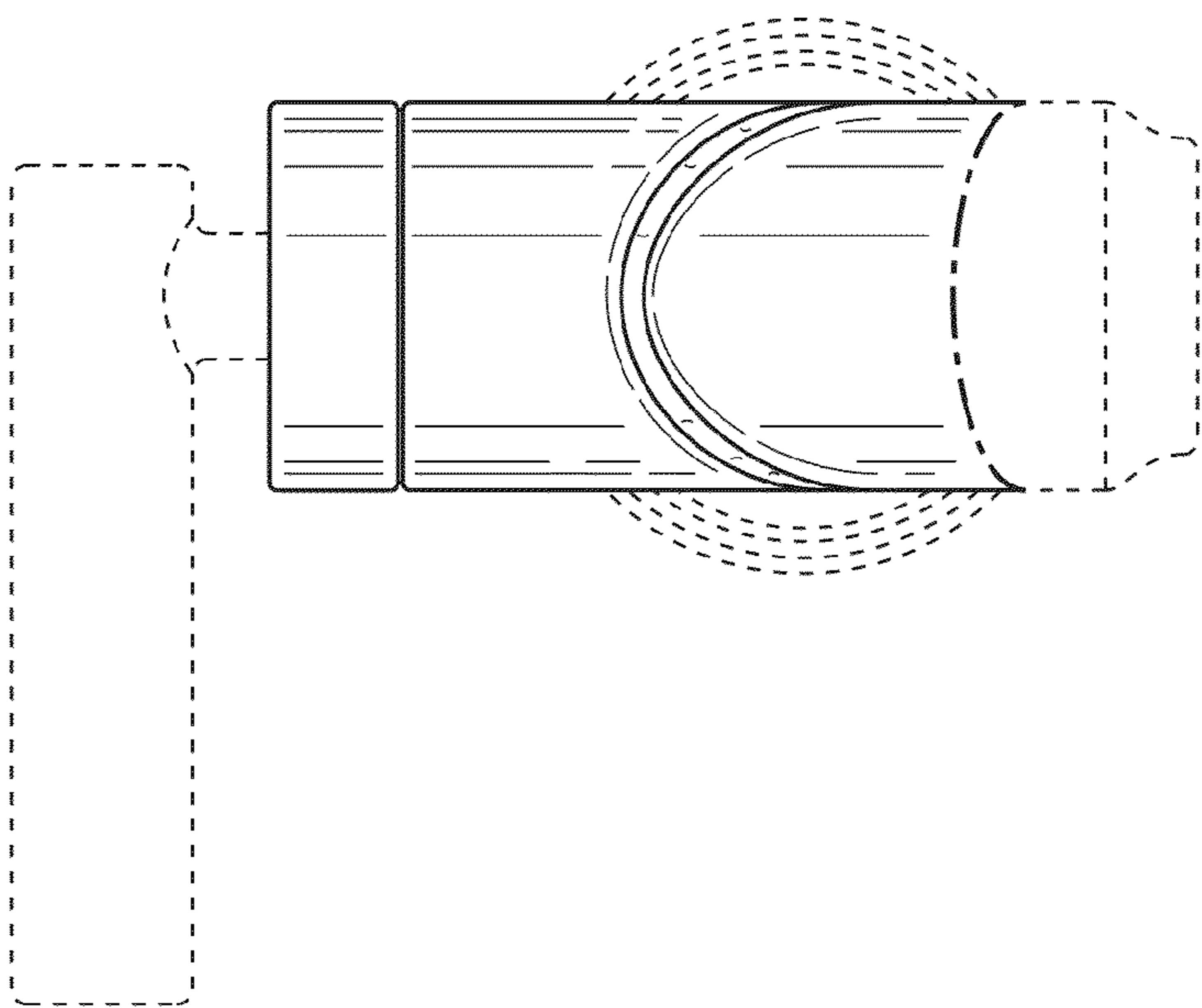


FIG. 9



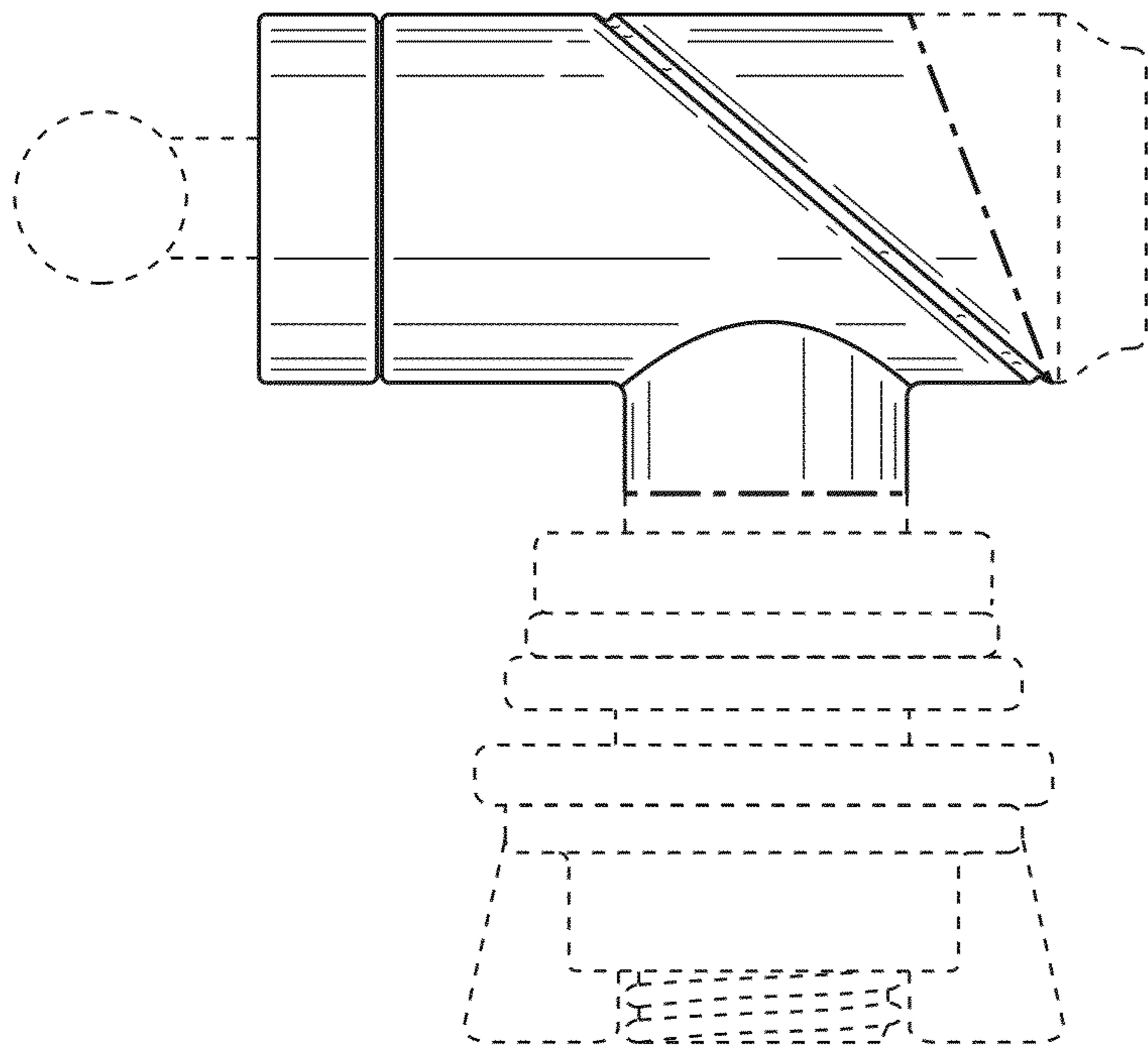


FIG. 12

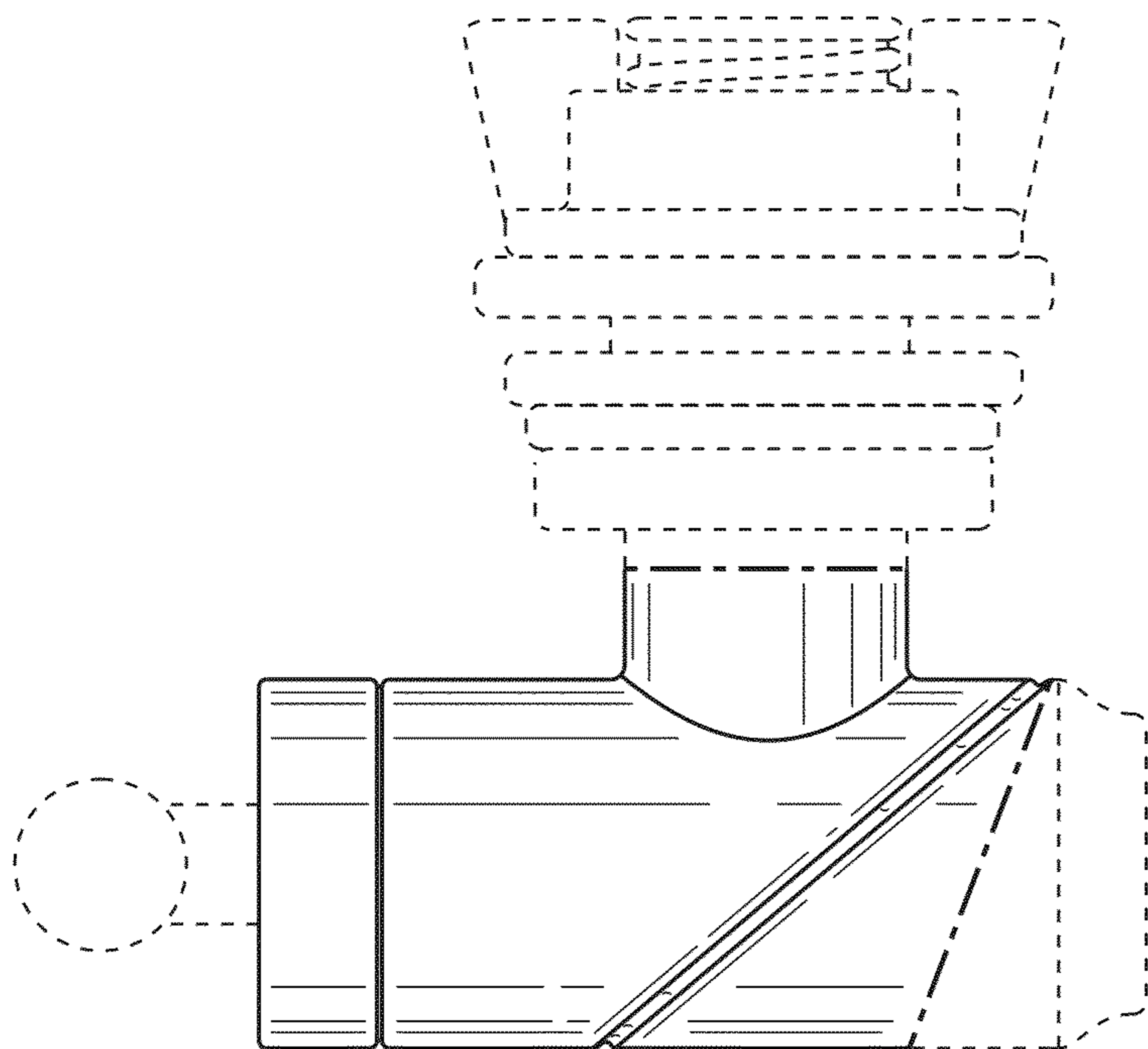


FIG. 11

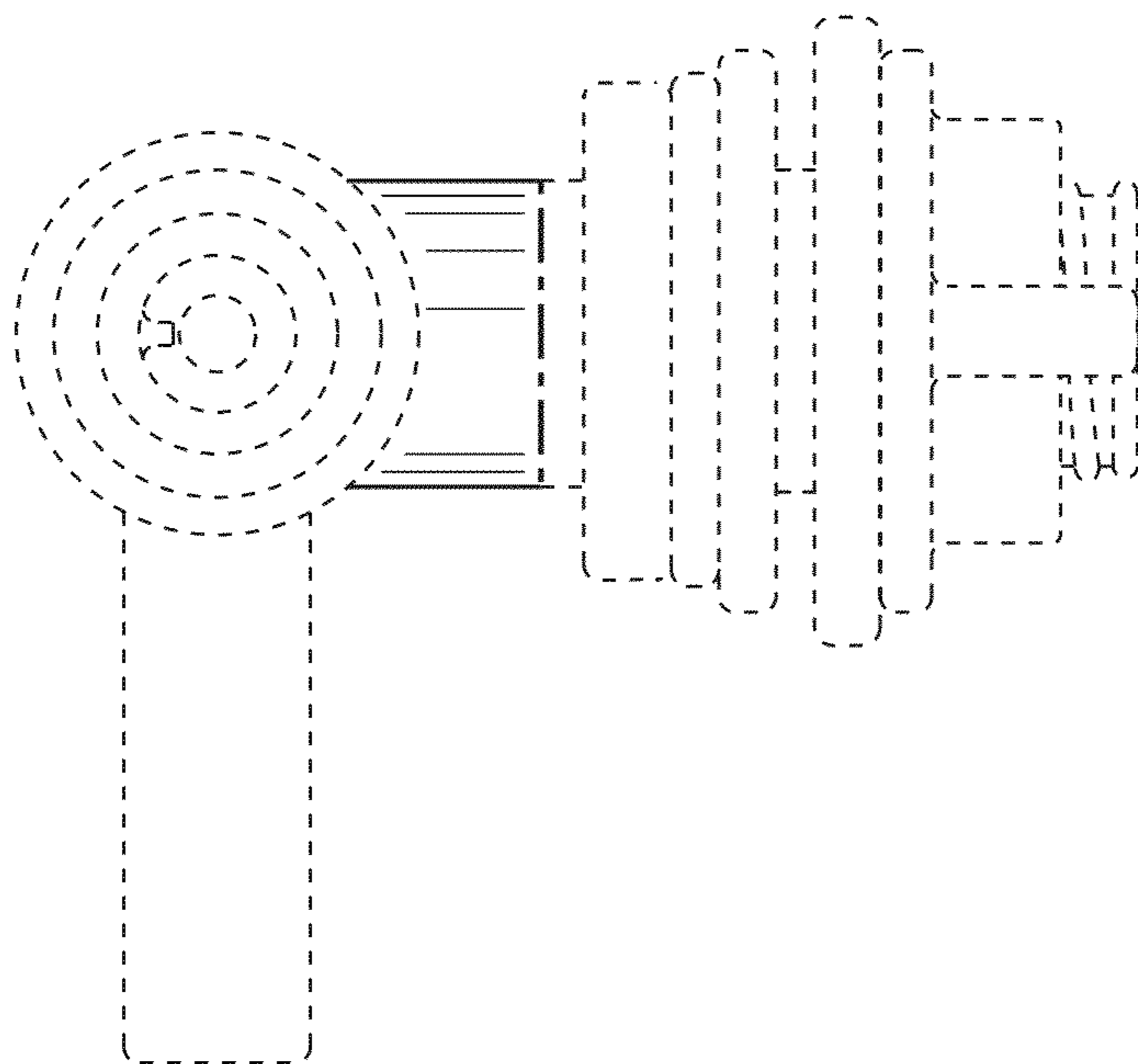


FIG. 14

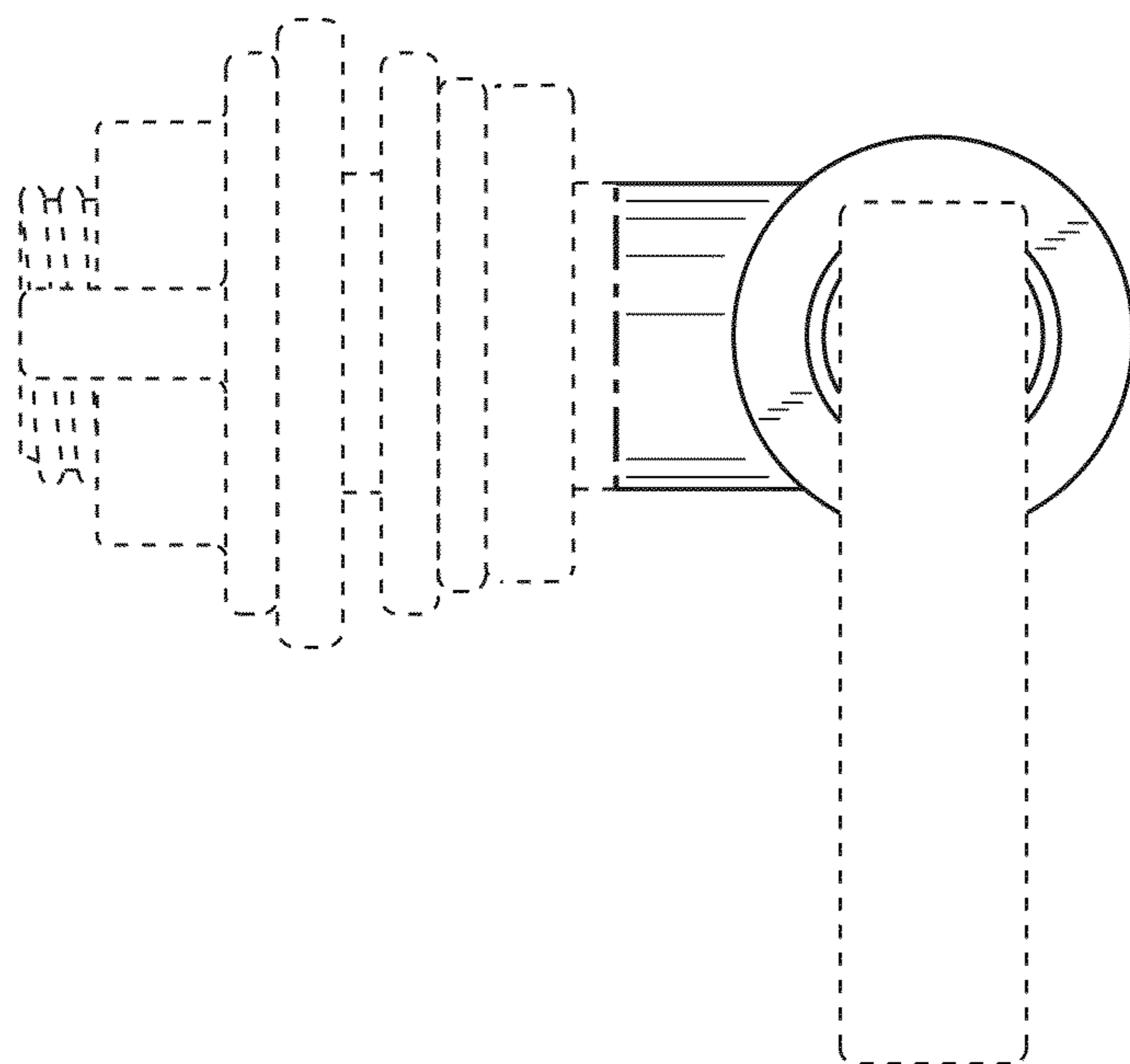


FIG. 13