



US00D735525S

(12) **United States Design Patent**  
**Nguyen**

(10) **Patent No.:** **US D735,525 S**  
(45) **Date of Patent:** **\*\* Aug. 4, 2015**

- (54) **ONE-WAY VALVE**
- (71) Applicant: **Trong D Nguyen**, Sacramento, CA (US)
- (72) Inventor: **Trong D Nguyen**, Sacramento, CA (US)
- (\*\*) Term: **14 Years**
- (21) Appl. No.: **29/479,921**
- (22) Filed: **Jan. 21, 2014**

4,524,877 A	6/1985	Saxby et al.	
4,911,314 A	3/1990	Schneider	
4,998,633 A	3/1991	Schneider	
5,031,785 A	7/1991	Lemme	
5,535,900 A	7/1996	Huang	
5,941,391 A	8/1999	Jury	
5,944,211 A	8/1999	Woodnorth et al.	
D434,476 S *	11/2000	Meda .....	D23/252
6,253,942 B1 *	7/2001	Elias .....	215/305
6,637,321 B2	10/2003	Wang	
D508,021 S *	8/2005	Wirth .....	D13/120
D516,375 S *	3/2006	Cioeta et al. ....	D7/391
7,048,136 B2	5/2006	Havens et al.	
7,086,427 B2	8/2006	Bonich	
D538,724 S *	3/2007	Leman et al. ....	D12/197

**Related U.S. Application Data**

- (62) Division of application No. 14/158,745, filed on Jan. 17, 2014.
- (51) **LOC (10) Cl.** ..... **31-00**
- (52) **U.S. Cl.**  
USPC ..... **D7/398; D7/397; D23/233**
- (58) **Field of Classification Search**  
USPC ..... D7/398, 399, 400, 401, 386, 387, 393,  
D7/396; D23/233, 234, 236, 238, 242,  
D23/243, 244, 245, 246, 249, 250, 255, 257,  
D23/262, 266, 421, 252, 499, 264, 259;  
222/506, 508, 509, 129.1, 144.5, 482,  
222/394; 99/275, 280; 220/203.13, 203.28,  
220/203.29, 231, 240, 209; D12/197, 220;  
D24/220, 129; D8/307; D9/443  
CPC ..... F16K 31/12; B65D 59/00; B65D 47/08;  
B65D 51/16  
See application file for complete search history.

(Continued)

**FOREIGN PATENT DOCUMENTS**

DE	1068071 B2	10/1959
DE	1987459 U	6/1968

(Continued)

*Primary Examiner* — Marianne Pandozzi  
*Assistant Examiner* — Jae Liang  
 (74) *Attorney, Agent, or Firm* — Ernesto Garcia

(57) **CLAIM**

I claim the ornamental design for a one-way valve, as shown and described.

**DESCRIPTION**

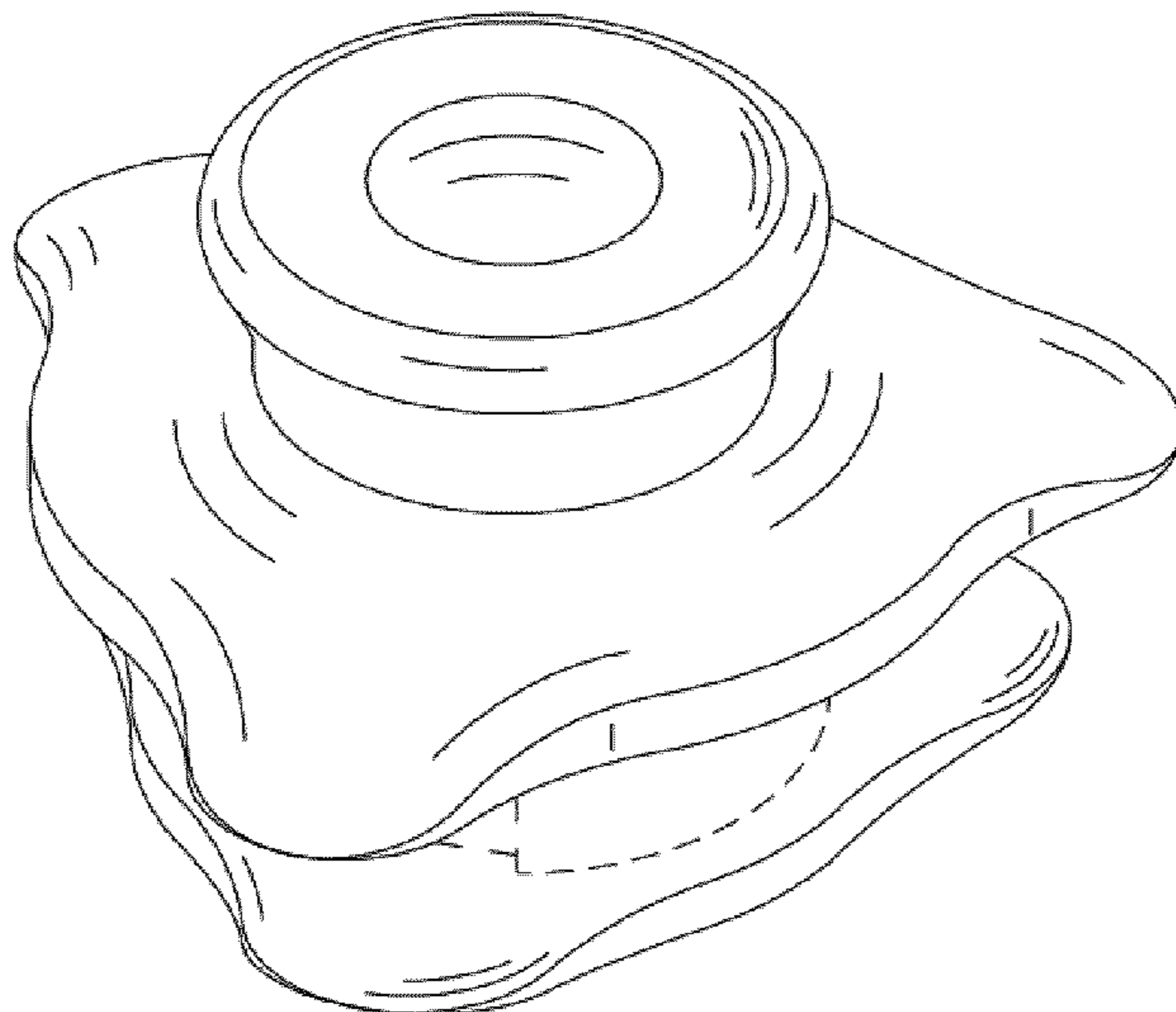
FIG. 1 is a perspective view, from one side, of a one-way valve showing my new design;  
 FIG. 2 is a front view thereof;  
 FIG. 3 is a top plan view thereof;  
 FIG. 4 is a bottom plan view thereof; and,  
 FIG. 5 is right side view thereof.  
 The broken line showing in the figure drawings are included for the purpose of illustration and form no part of the claimed design.

**1 Claim, 1 Drawing Sheet**

(56) **References Cited**

**U.S. PATENT DOCUMENTS**

943,951 A	12/1909	Moody
2,224,296 A	7/1936	Hoffman
2,769,457 A	11/1956	Wittenberg
3,159,176 A	12/1964	Russell et al.
3,405,838 A	10/1968	Preisendanz
3,602,387 A	8/1971	Patnaude
3,880,187 A	4/1975	Kneusel



(56)

**References Cited**

U.S. PATENT DOCUMENTS

D539,632 S \* 4/2007 Ma ..... D8/307  
 7,204,760 B2 4/2007 Wang  
 D558,306 S \* 12/2007 McCluskey et al. .... D23/264  
 7,318,390 B2 \* 1/2008 Amy ..... 114/364  
 D575,007 S \* 8/2008 Dye, Jr. .... D30/123  
 D582,327 S \* 12/2008 Ratcliffe ..... D12/197  
 D585,985 S \* 2/2009 Aaberg et al. .... D24/129  
 7,614,522 B2 11/2009 Hsu  
 7,703,702 B2 4/2010 Strong  
 D624,785 S \* 10/2010 Rousselin ..... D7/398  
 8,146,765 B2 4/2012 Chen  
 D660,405 S \* 5/2012 Marquis-Martin ..... D23/259

D682,098 S \* 5/2013 Murray ..... D9/443  
 D685,714 S \* 7/2013 Ota ..... D12/220  
 D694,857 S \* 12/2013 Au ..... D23/233  
 D699,327 S \* 2/2014 Marquis-Martin ..... D23/259  
 D704,903 S \* 5/2014 Fang ..... D30/132  
 D712,775 S \* 9/2014 Kuiawa ..... D11/40  
 2007/0075078 A1 \* 4/2007 Kim ..... 220/203.29  
 2012/0161044 A1 6/2012 Chen

FOREIGN PATENT DOCUMENTS

EP 1900649 A1 3/2008  
 WO 98/08748 A1 3/1998

\* cited by examiner

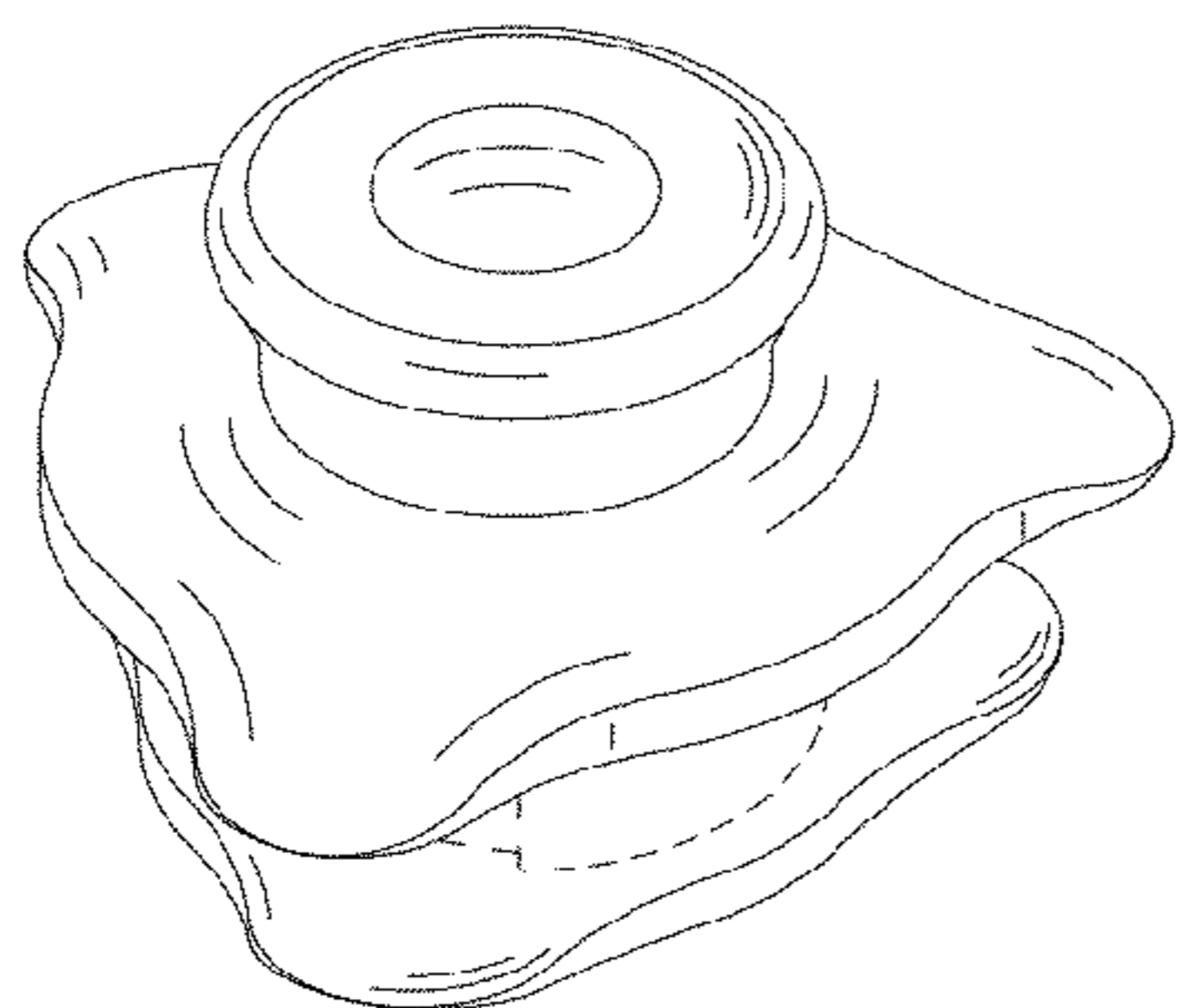


Figure 1

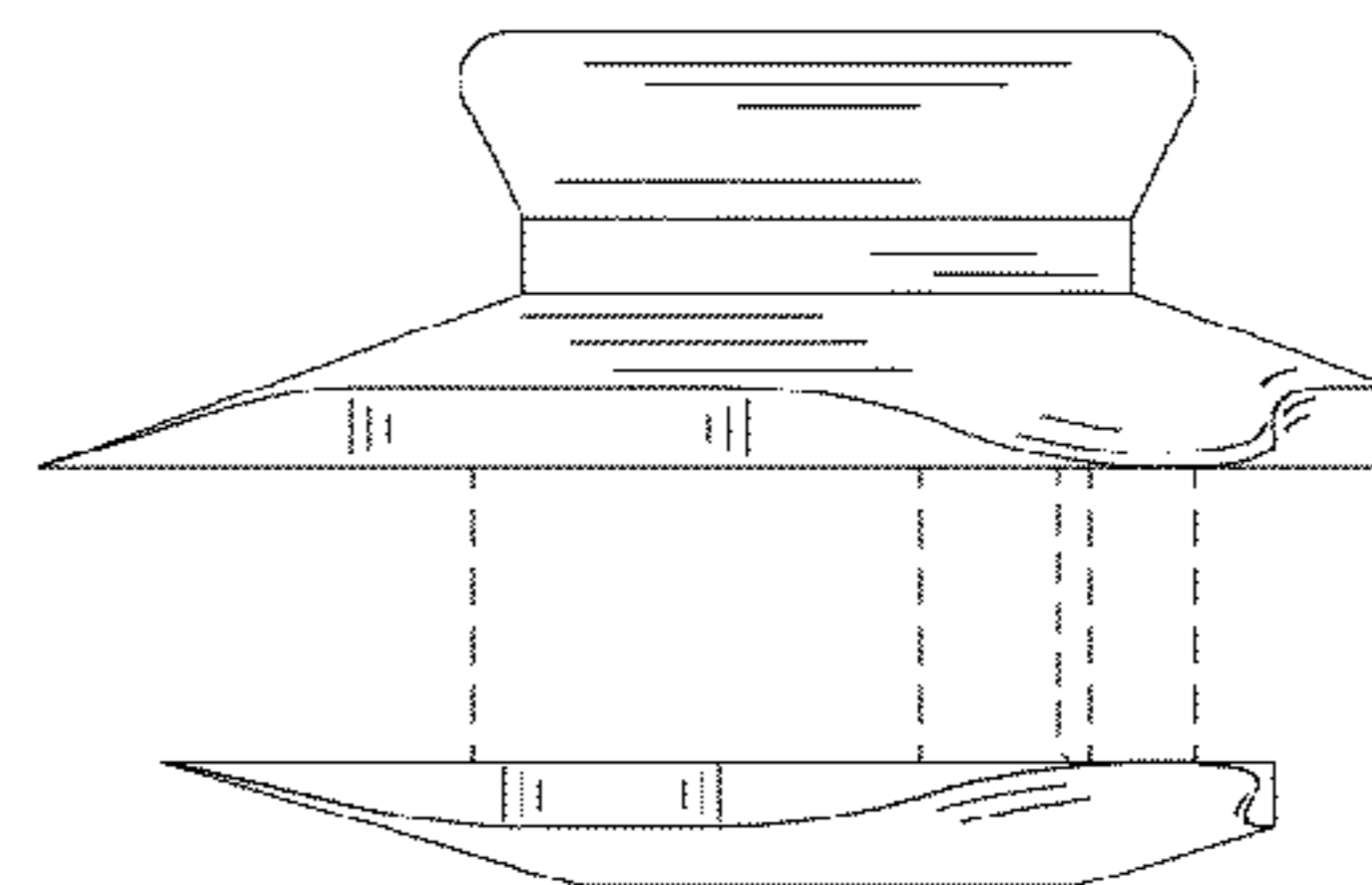


Figure 2

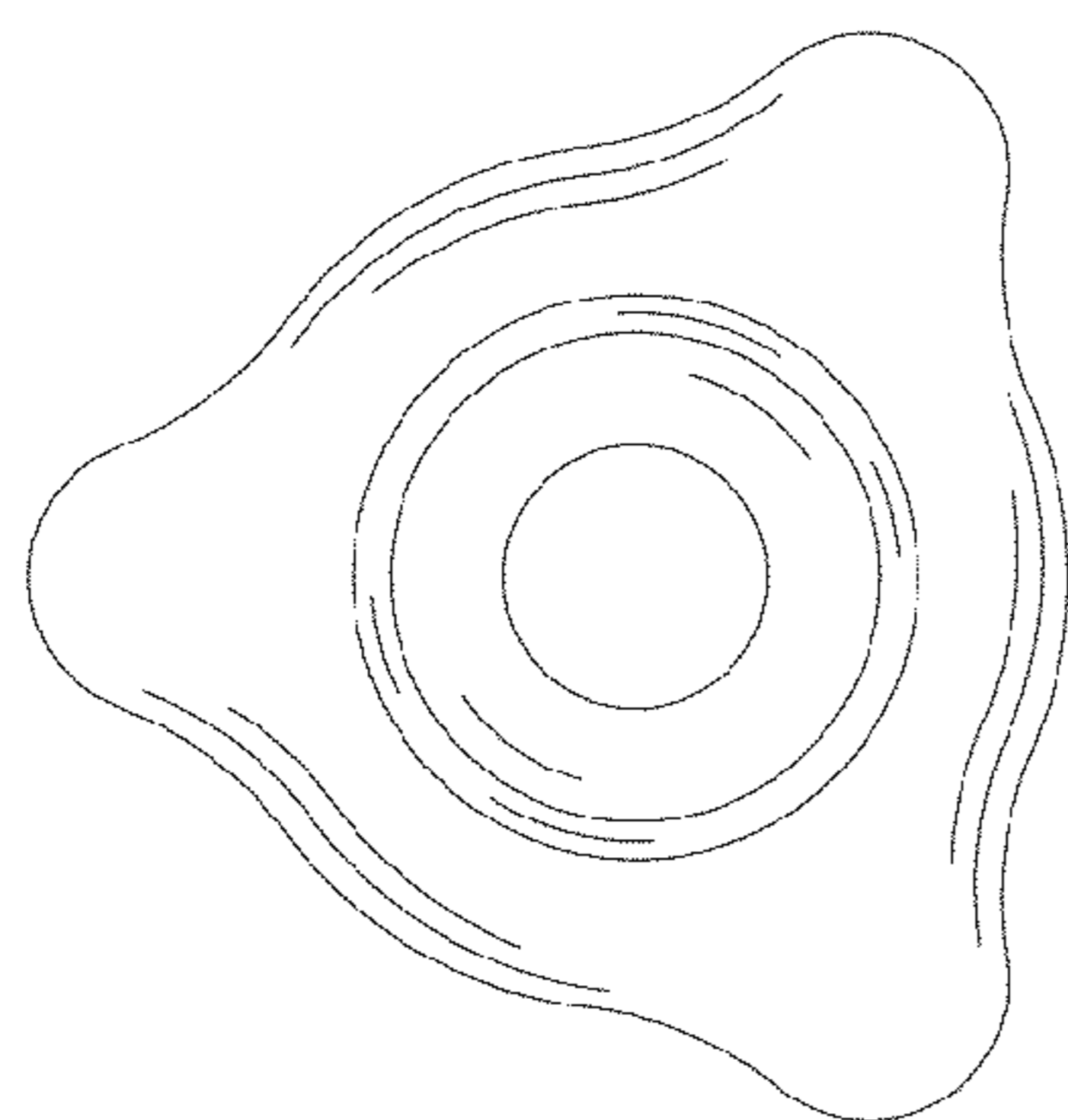


Figure 3

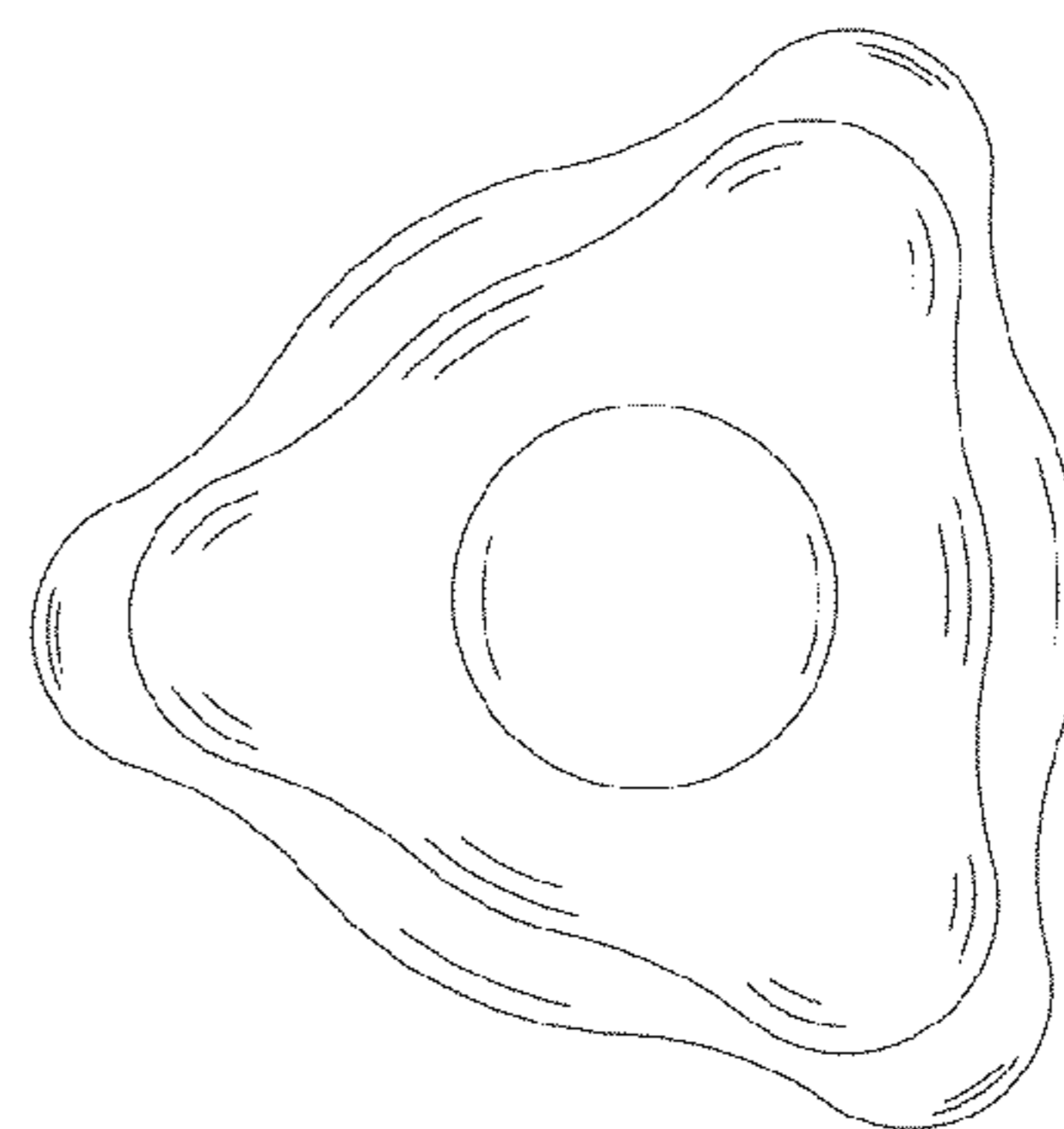


Figure 4

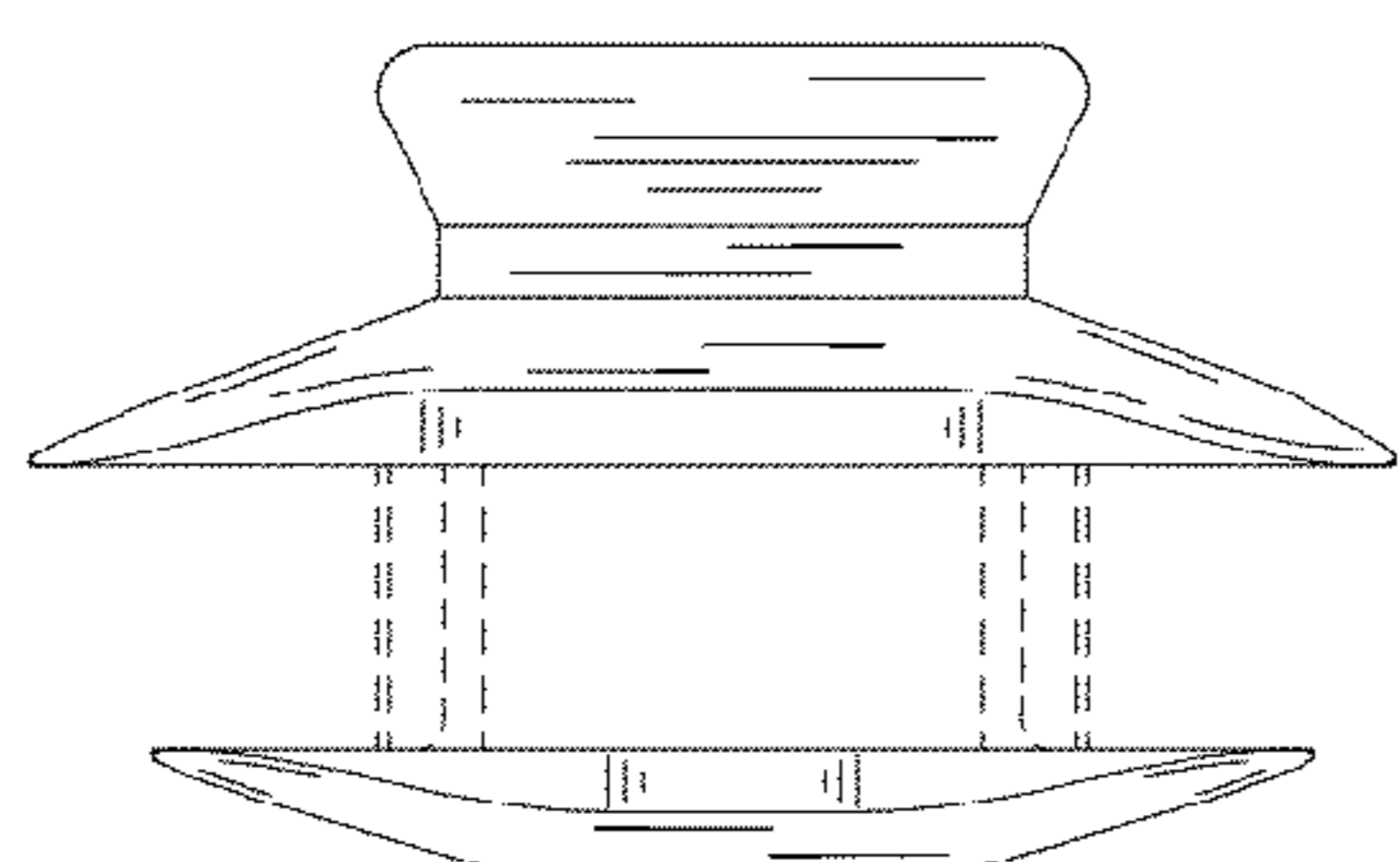


Figure 5