



US00D735524S

(12) **United States Design Patent**
 Holding et al.

(10) **Patent No.:** **US D735,524 S**

(45) **Date of Patent:** **** Aug. 4, 2015**

(54) **SET OF NESTING STORAGE LIDS**

(71) Applicant: **JOSEPH JOSEPH LTD.**, London (GB)

(72) Inventors: **Bill Holding**, London (GB); **Ben Cox**,
London (GB)

(73) Assignee: **Joseph Joseph Ltd.**, London (GB)

(**) Term: **14 Years**

(21) Appl. No.: **29/476,607**

(22) Filed: **Dec. 16, 2013**

(30) **Foreign Application Priority Data**

Aug. 5, 2013 (EM) 002287086-0001

(51) **LOC (10) Cl.** **07-02**

(52) **U.S. Cl.**
USPC **D7/392.1; D9/443**

(58) **Field of Classification Search**
USPC D7/391, 392, 392.1, 393, 397, 538, 542,
D7/602, 629, 705; D9/424, 430, 435, 449,
D9/452; 220/212, 213, 231, 260, 287, 305,
220/574, 660, 675, 781, 782, 783, 790, 791,
220/794; 215/10

CPC B65D 2543/00296; B65D 21/02
See application file for complete search history.

(56) **References Cited**

U.S. PATENT DOCUMENTS

D448,288 S * 9/2001 Zettle et al. D9/425
D541,598 S * 5/2007 Kim D7/629
D541,648 S * 5/2007 Bennett et al. D9/425
D557,993 S * 12/2007 Stamper et al. D7/629
D573,846 S * 7/2008 Moghavem D7/629
D618,516 S * 6/2010 DiPietro et al. D7/629

D671,373 S * 11/2012 Kimmel et al. D7/629
D689,363 S * 9/2013 Sundy et al. D9/429
D698,199 S * 1/2014 Yessin et al. D7/392.1
D718,983 S * 12/2014 Yessin et al. D7/629
2003/0155267 A1 * 8/2003 Mercier et al. 206/515
2005/0205572 A1 * 9/2005 Leibowitz 220/212
2011/0114638 A1 * 5/2011 Kettner et al. 220/260

OTHER PUBLICATIONS

“Joseph Joseph 12-Piece Compact Food Storage Container Set, Nest 12”. amazon.com. Web. May 13, 2014.*

“Nest Food Storage by Joseph Joseph”. containerstore.com. Web. Aug. 2, 2014.*

* cited by examiner

Primary Examiner — Robert M Spear

Assistant Examiner — Kendra L Hamilton

(74) *Attorney, Agent, or Firm* — Millen, White, Zelano & Branigan, P.C.

(57) **CLAIM**

The ornamental design for a set of nesting storage lids, as shown and described.

DESCRIPTION

FIG. 1 is a top view of a set of nesting storage lids, showing my new design.

FIG. 2 is a side view thereof.

FIG. 3 is another side view thereof.

FIG. 4 is another side view thereof.

FIG. 5 is another side view thereof.

FIG. 6 is a bottom view thereof.

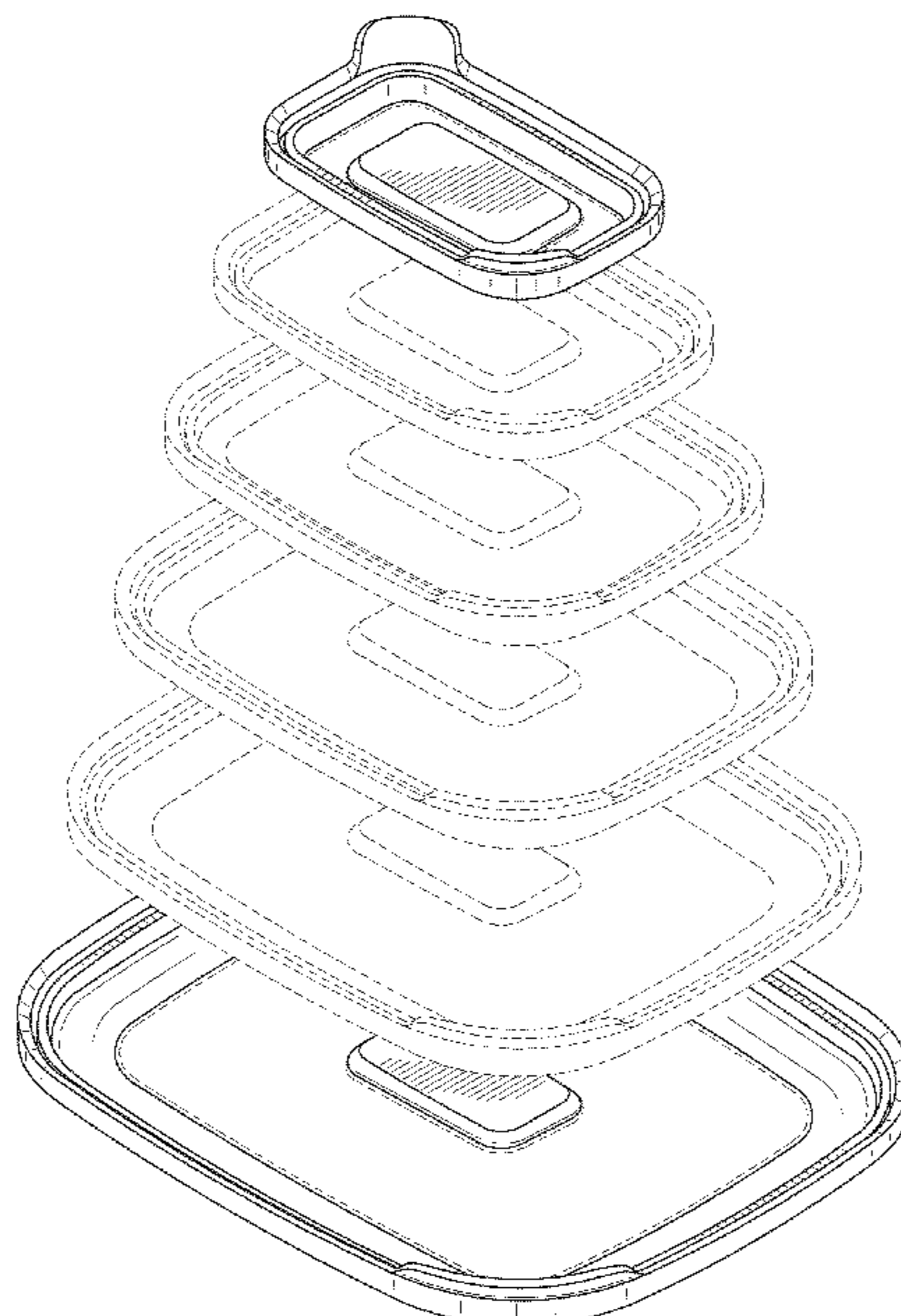
FIG. 7 is a perspective bottom view thereof.

FIG. 8 is a perspective top view thereof; and,

FIG. 9 is a perspective exploded view thereof.

The broken lines in the drawings represent unclaimed environment.

1 Claim, 7 Drawing Sheets



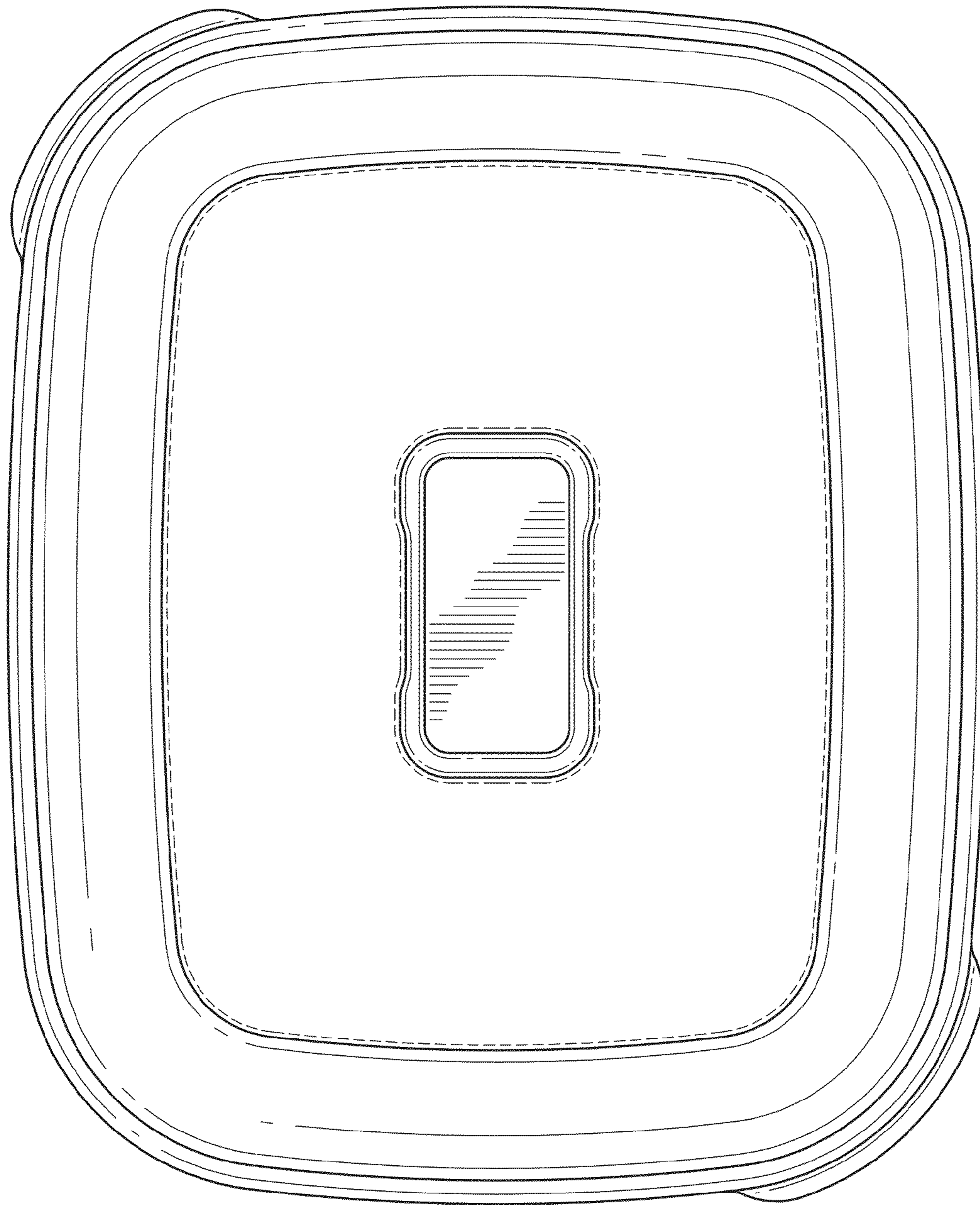


FIG. 1

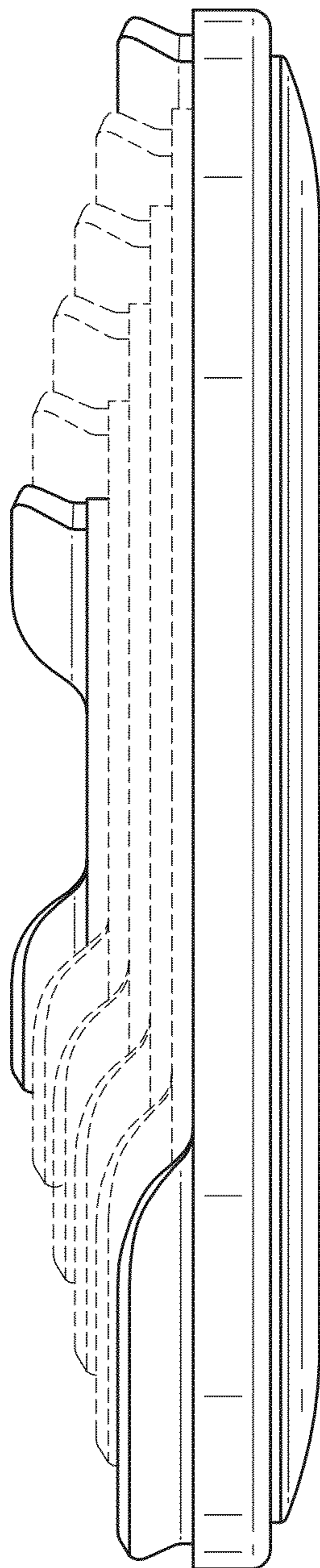


FIG. 2

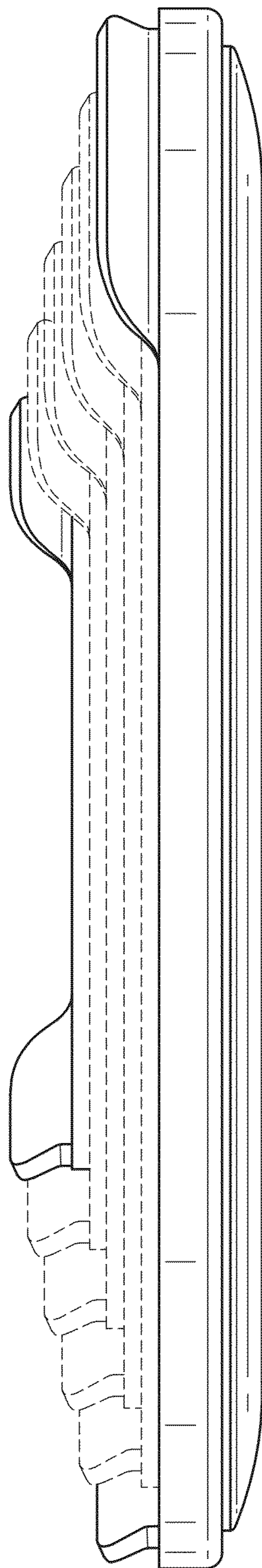


FIG. 3

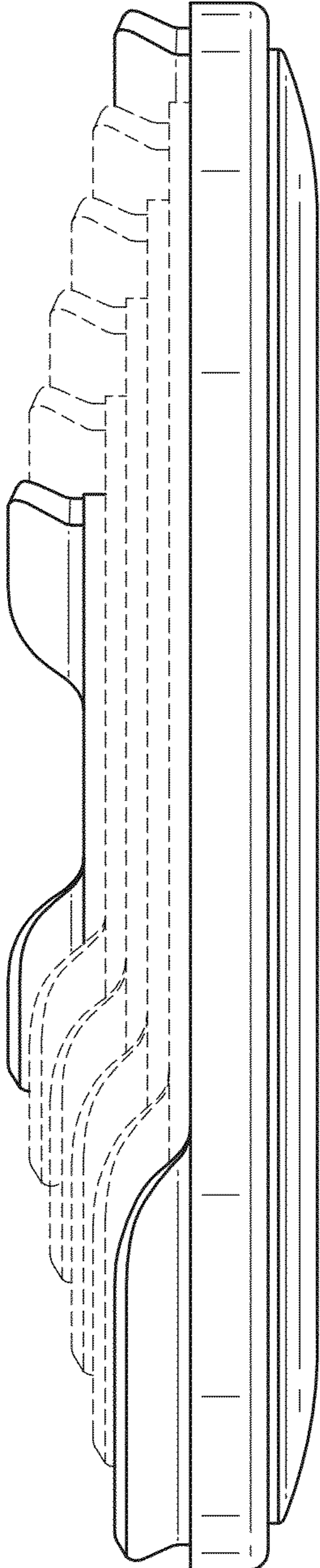


FIG. 4

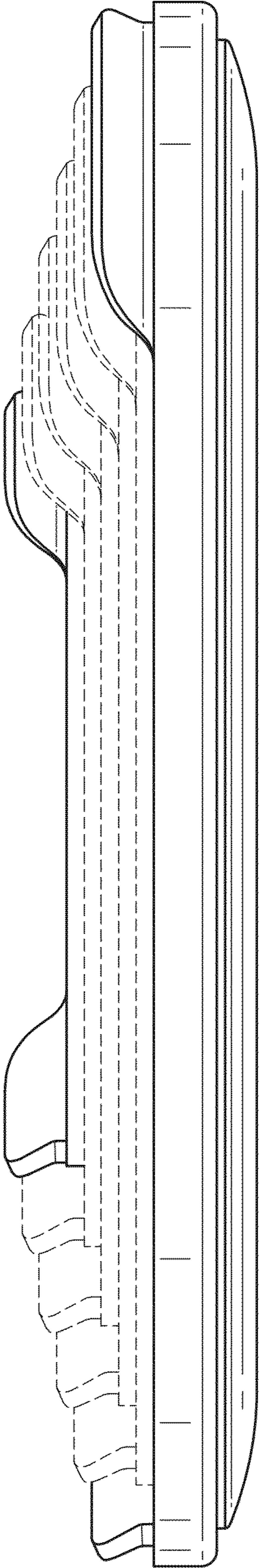


FIG. 5

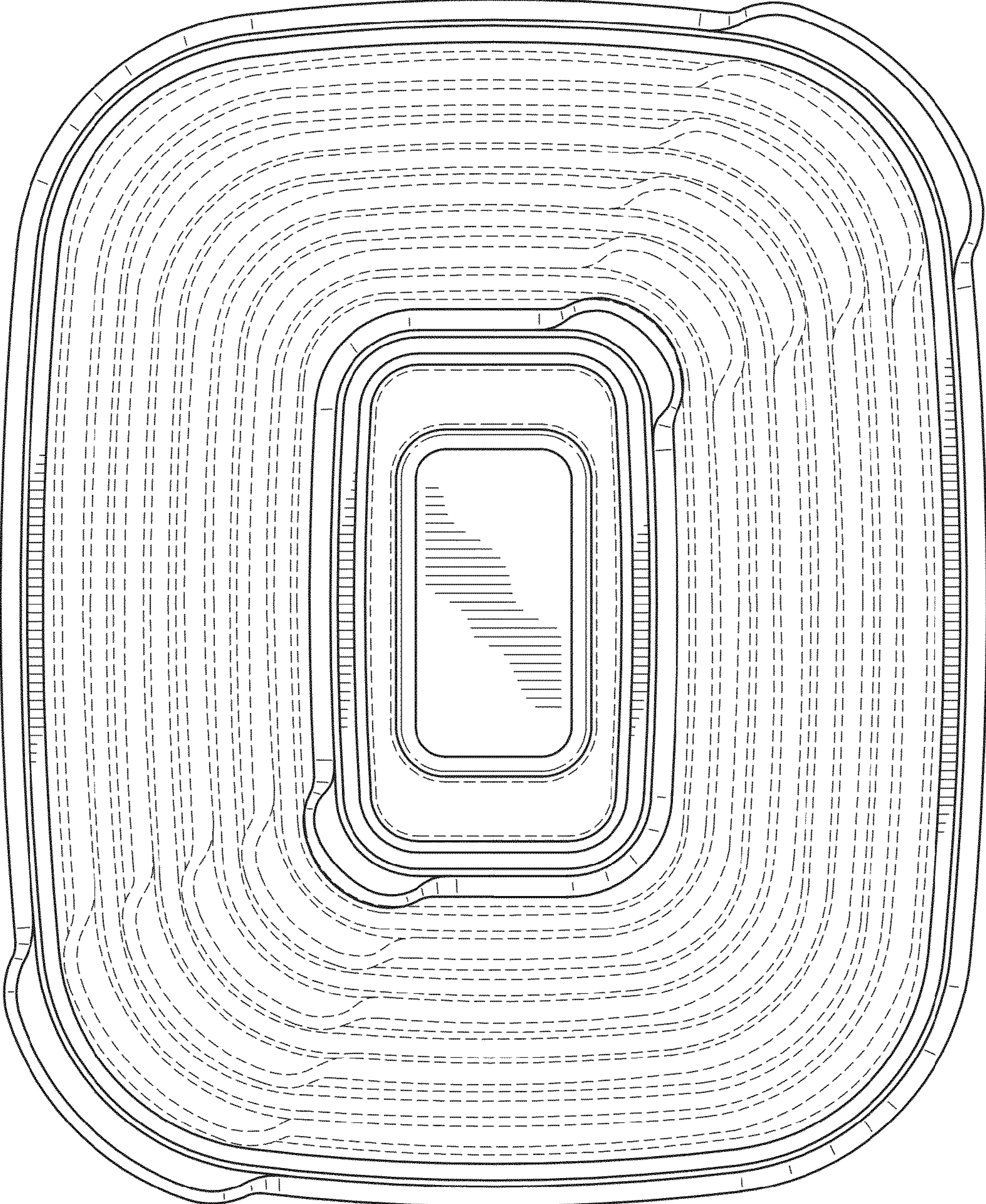


FIG. 6

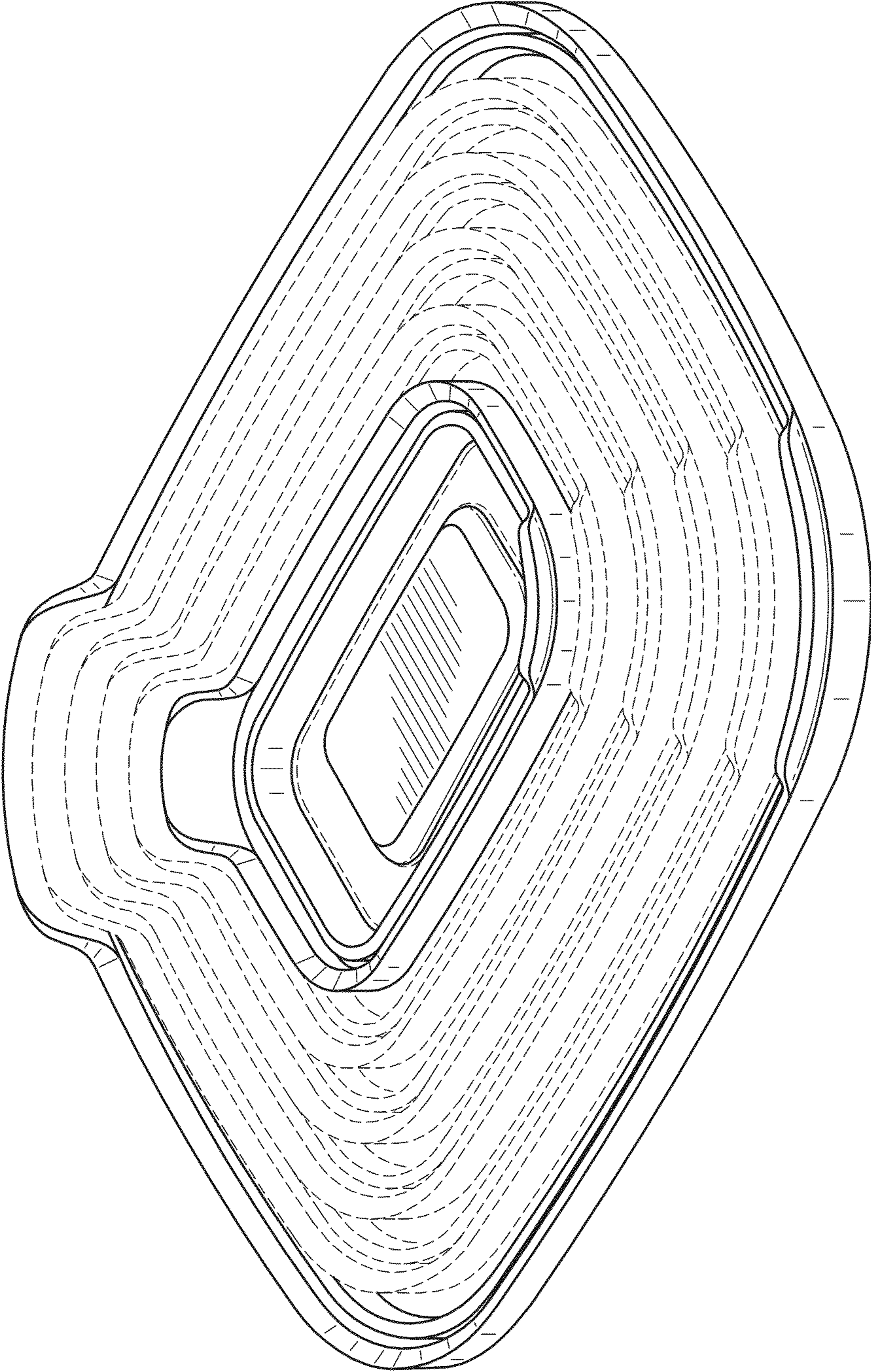


FIG.7

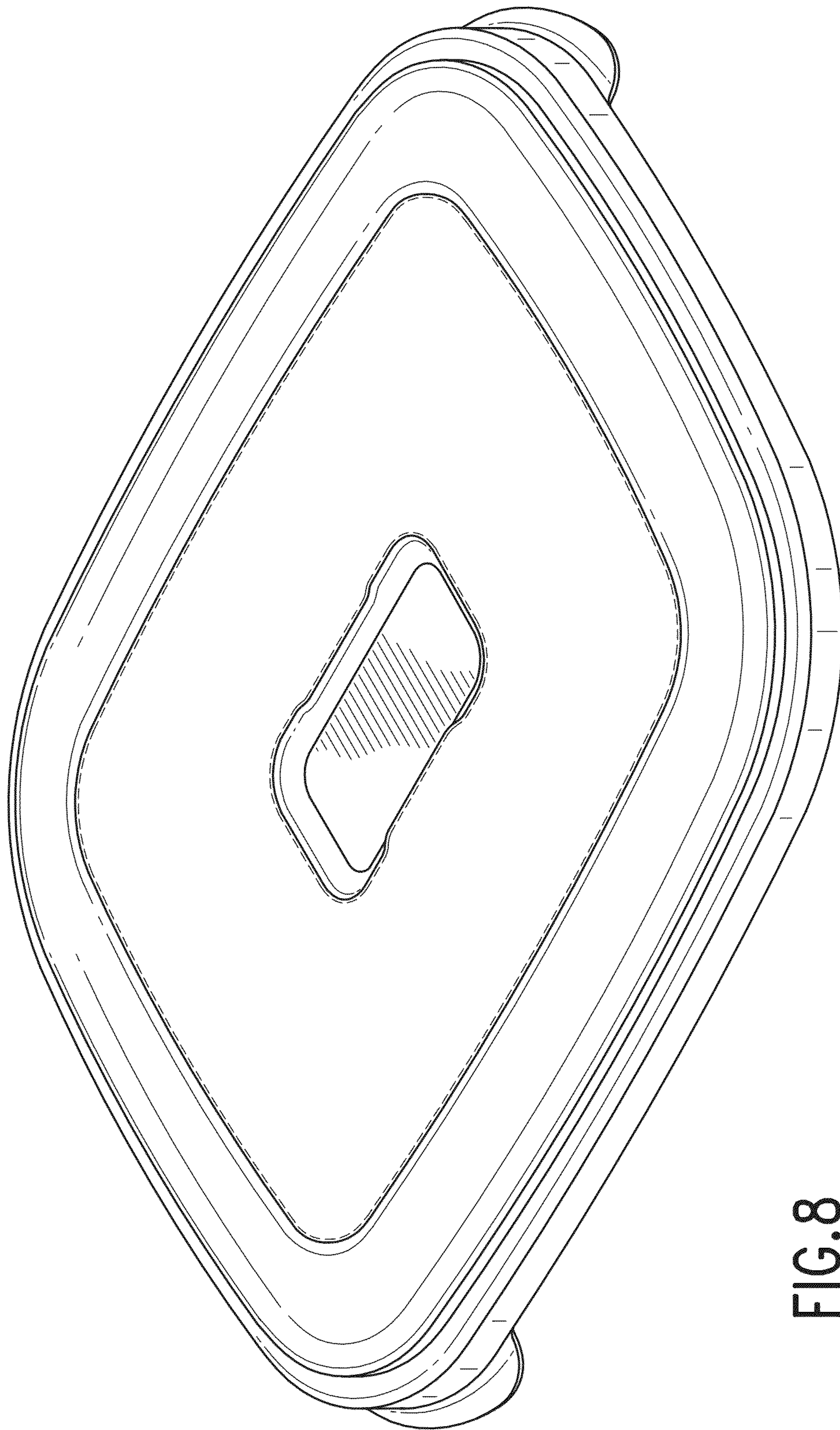


FIG.8

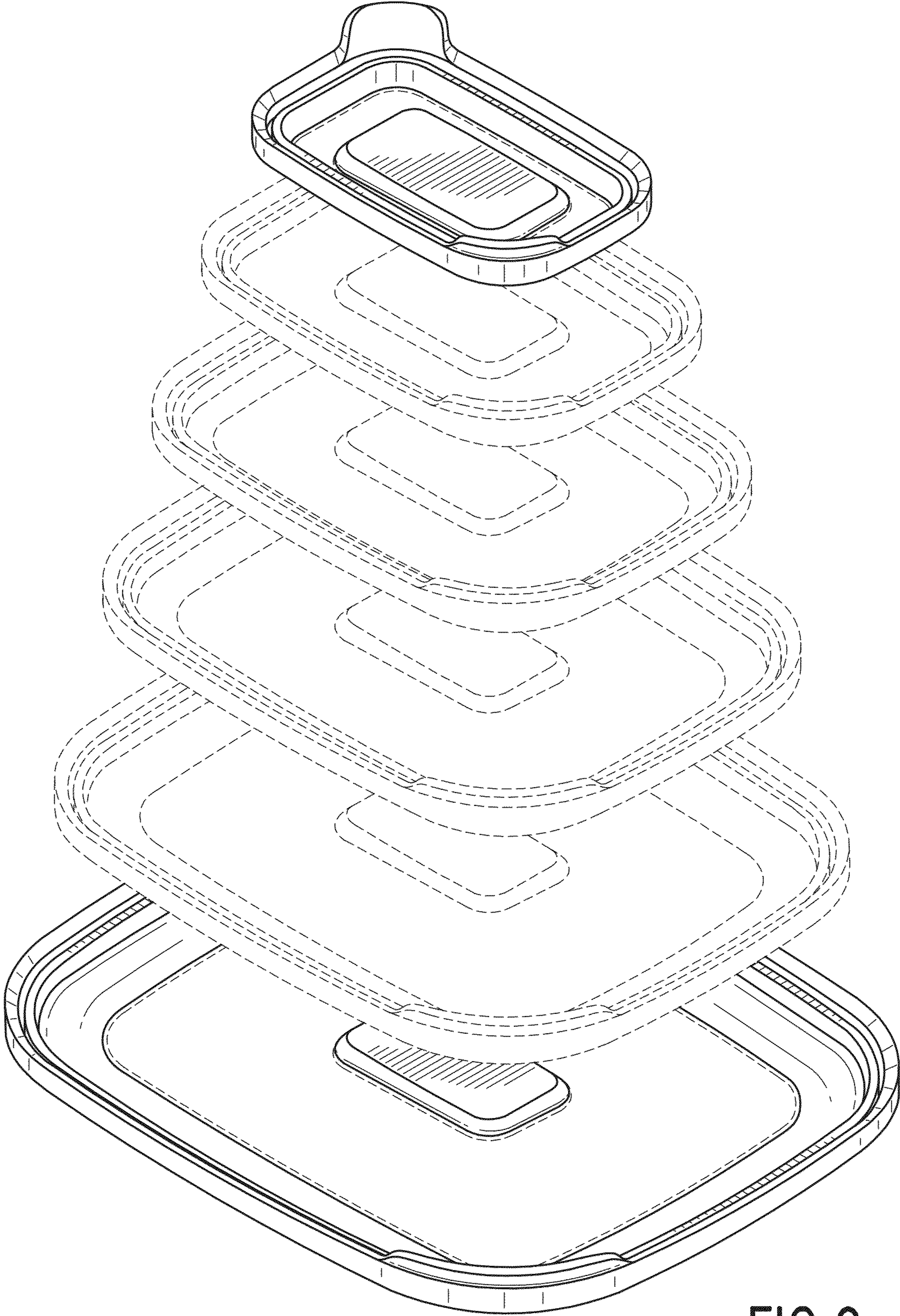


FIG.9