



US00D735522S

(12) **United States Design Patent**  
**Bleeker**

(10) **Patent No.:** **US D735,522 S**

(45) **Date of Patent:** **\*\* Aug. 4, 2015**

(54) **CANDLE-HEATED SLOW COOKER**

(71) Applicant: **BOSKA HOLLAND BV**, Bodegraen (NL)

(72) Inventor: **Frank N. J. Bleeker**, Bodegraven (NL)

(73) Assignee: **Boska Holland BV**, Bodegraven (NL)

(\*\*) Term: **14 Years**

(21) Appl. No.: **29/458,092**

(22) Filed: **Jun. 17, 2013**

(51) **LOC (10) Cl.** ..... **07-02**

(52) **U.S. Cl.**  
USPC ..... **D7/362; D7/354; D7/355**

(58) **Field of Classification Search**  
USPC ..... D7/323, 337, 339, 341, 352, 354-355, D7/362-367, 403, 409-411; 99/331, 339, 99/342, 349, 357, 372-375, 483; 126/19 M, 21 R, 25 A, 235 AA, 80, 126/299 D, 299 F, 299 R; 219/395, 450.1, 219/452.11, 532-533; 220/573.1-573.5  
CPC ..... A21B 1/06; A21B 1/50; A21B 1/52; A47J 27/10; A47J 37/04; A47J 37/06; A47J 37/015; A47J 37/067; A47J 37/0611; A47J 37/0629; A47J 37/0676; F24C 7/06; F24C 7/083; F24C 15/02; F24C 15/166; H05B 3/20; H05B 3/40

See application file for complete search history.

(56) **References Cited**

**U.S. PATENT DOCUMENTS**

D146,832 S \* 5/1947 O'Connell ..... D7/355  
D168,905 S \* 2/1953 O'Connell ..... D7/355  
D213,717 S \* 4/1969 Rickmeirer et al. .... D7/355  
5,819,640 A \* 10/1998 Cuomo et al. .... 99/483  
D488,669 S \* 4/2004 Tse ..... D7/355

D523,688 S \* 6/2006 Karam ..... D7/365  
D644,874 S \* 9/2011 Saboe et al. .... D7/403  
D645,297 S \* 9/2011 Saboe et al. .... D7/366  
D677,106 S \* 3/2013 Horito et al. .... D7/337  
D685,605 S \* 7/2013 Xin ..... D7/362  
D711,186 S \* 8/2014 De'Longhi et al. .... D7/363

\* cited by examiner

*Primary Examiner* — Ricky Pham

(74) *Attorney, Agent, or Firm* — Mark R. Malek; Daniel C. Pierron; Widerman Malek, PL

(57) **CLAIM**

The ornamental design of a candle-heated slow cooker, as shown and described.

**DESCRIPTION**

FIG. 1a is a top perspective view of a candle-heated slow cooker in an open configuration.

FIG. 1b is a top perspective view of the candle-heated slow cooker illustrated in FIG. 1a in a closed configuration.

FIG. 2 is a top perspective view of the candle-heated slow cooker illustrated in FIG. 1a additionally depicting an unclaimed cooking tray.

FIG. 3a is a front elevation view of the candle-heated slow cooker illustrated in FIG. 2.

FIG. 3b is a rear elevation view of the compact candle-heated slow cooker illustrated in FIG. 2.

FIG. 4 is a first side elevation view of the candle-heated slow cooker illustrated in FIG. 2.

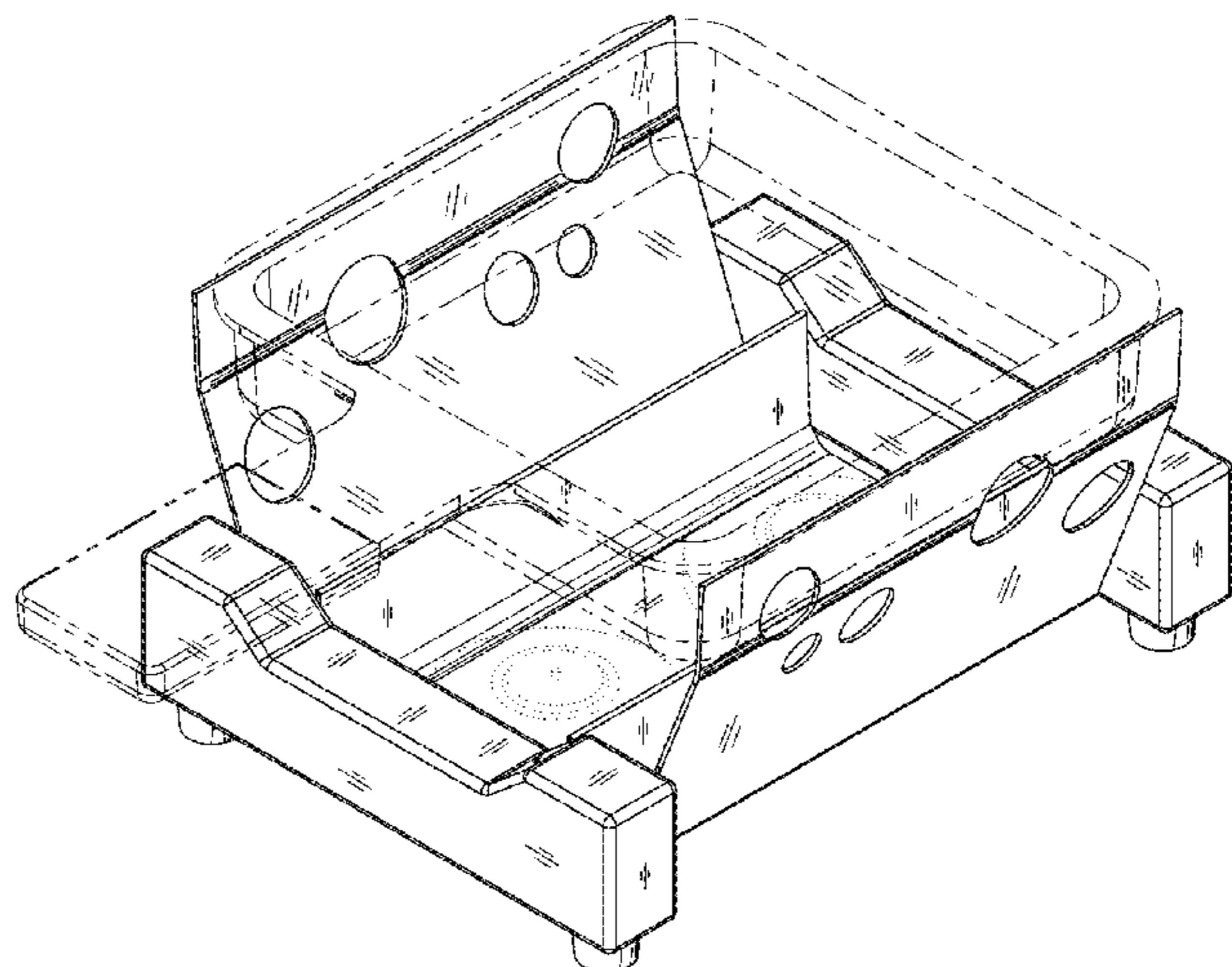
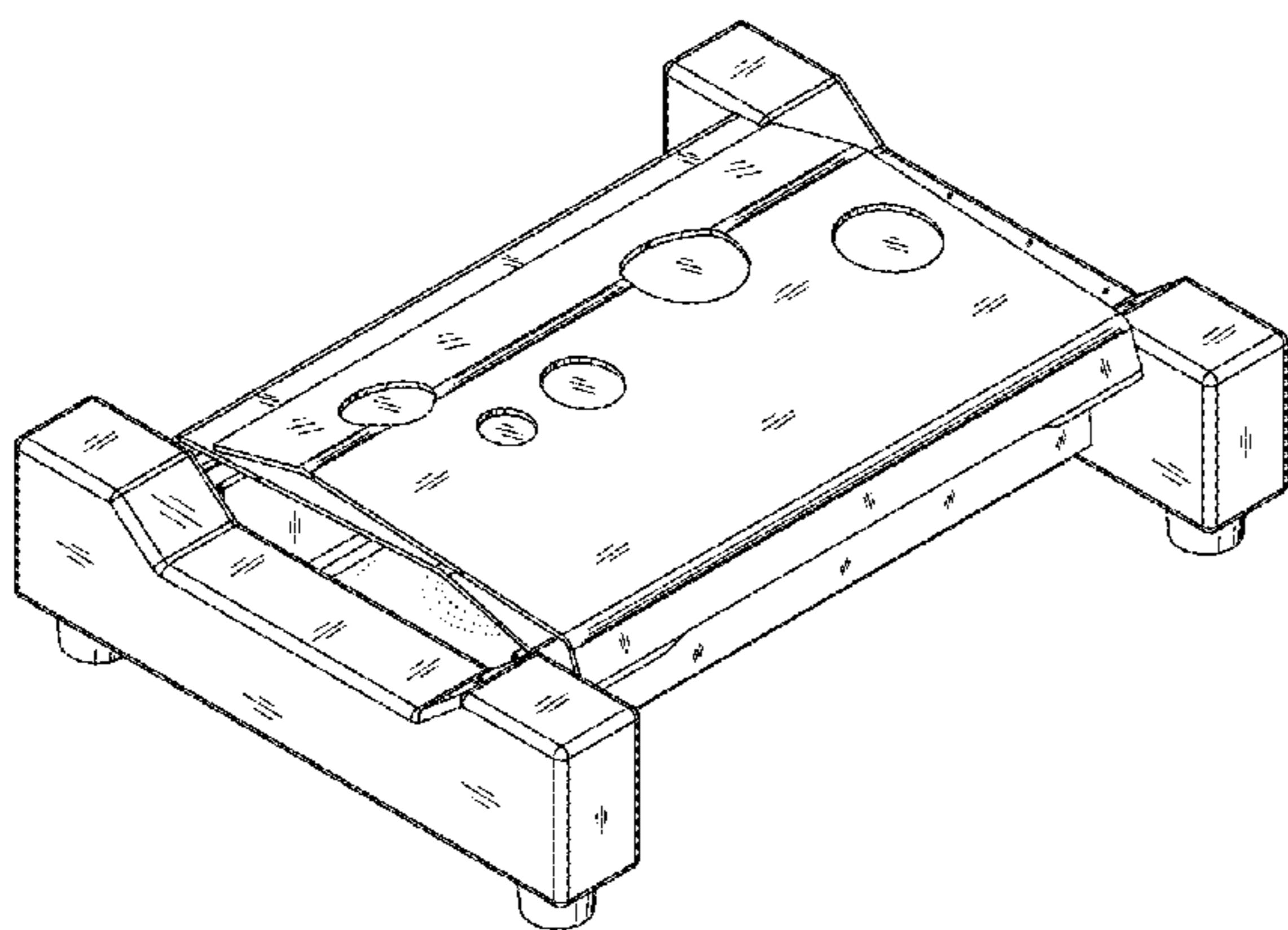
FIG. 5 is a second side elevation view of the candle-heated slow cooker illustrated in FIG. 2.

FIG. 6 is a top plan view of the candle-heated slow cooker illustrated in FIG. 2; and,

FIG. 7 is a bottom plan view of the candle-heated slow cooker illustrated in FIG. 2.

The broken lines are directed to unclaimed elements of the design.

**1 Claim, 7 Drawing Sheets**



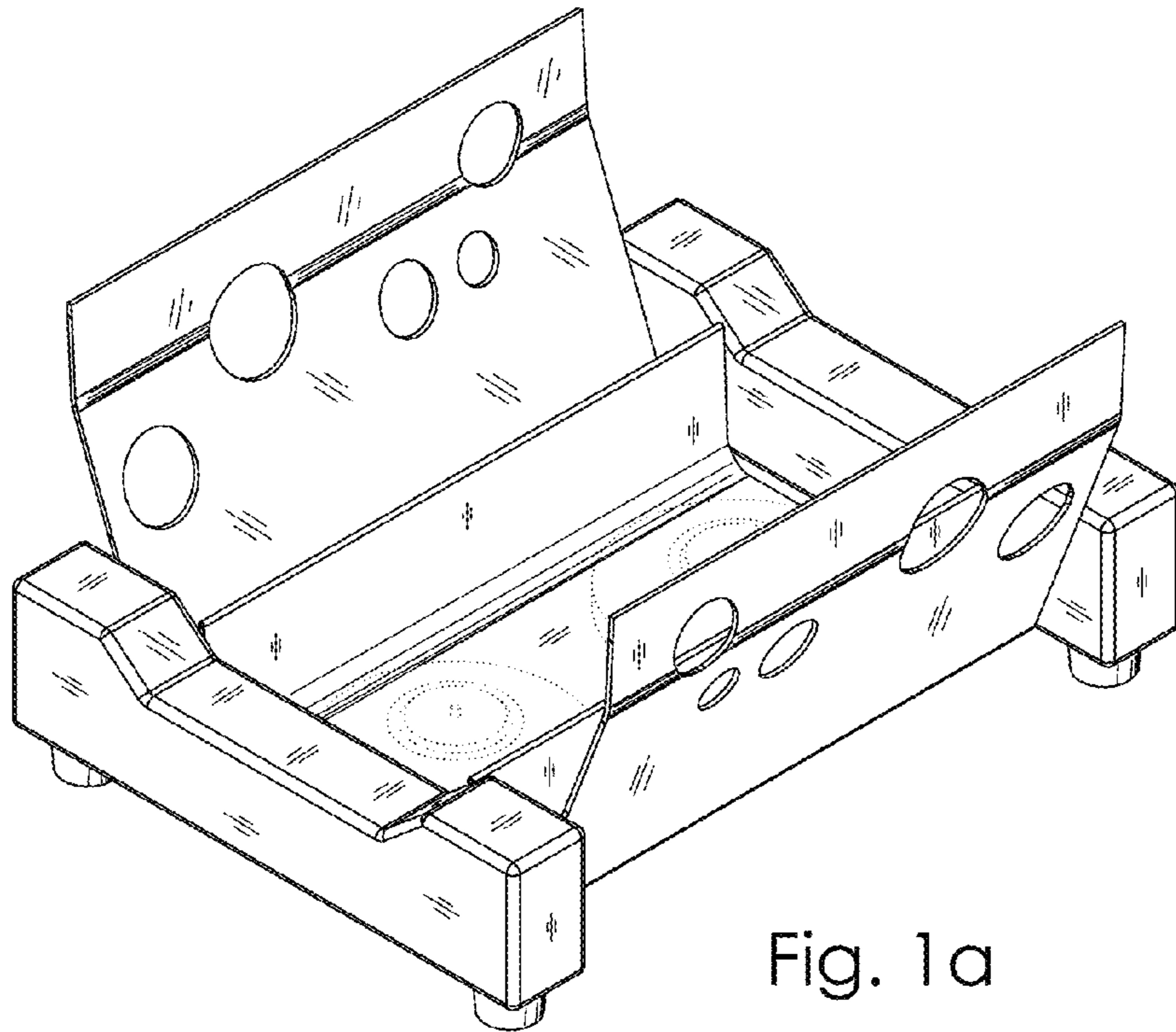


Fig. 1a

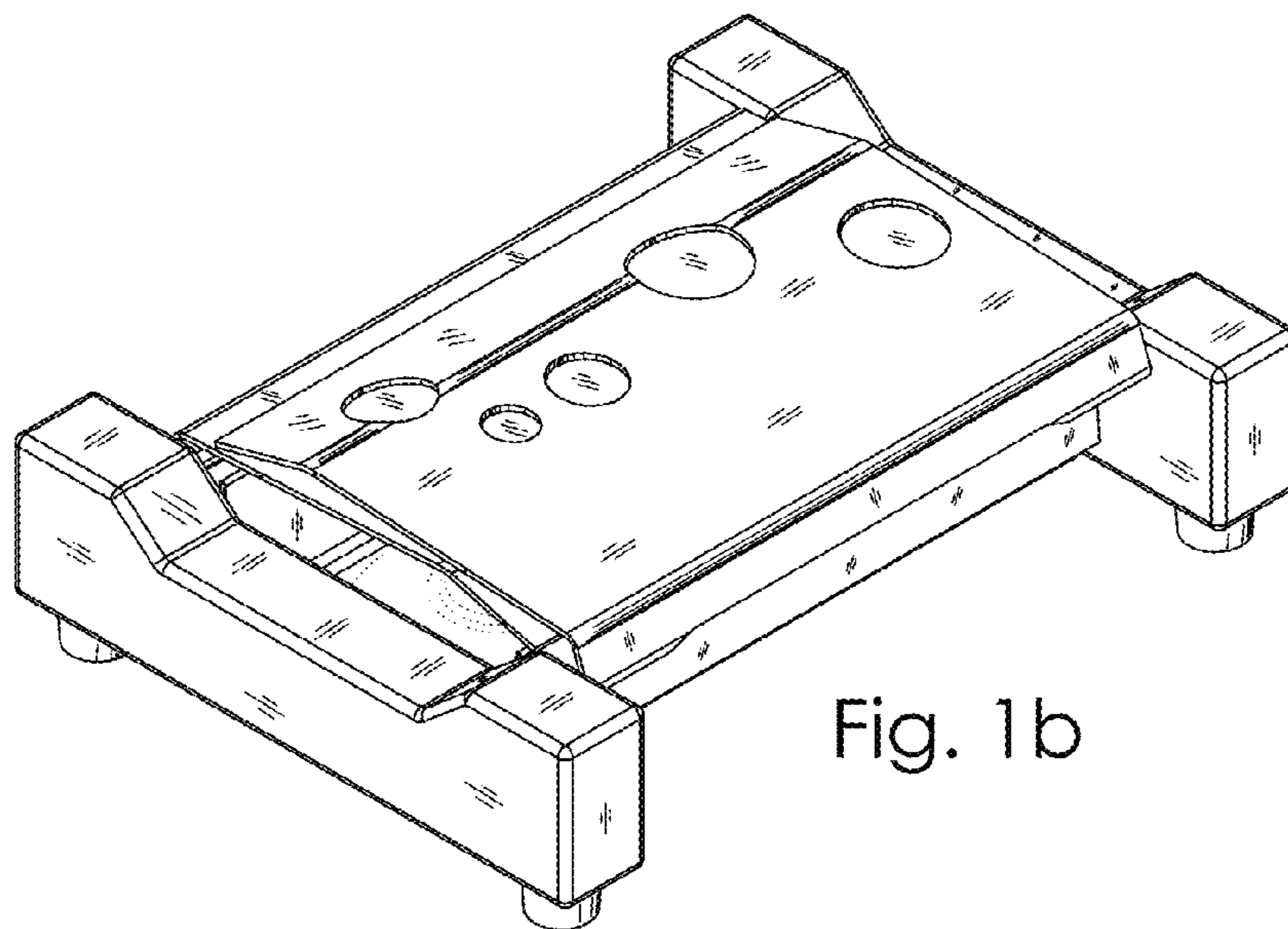


Fig. 1b

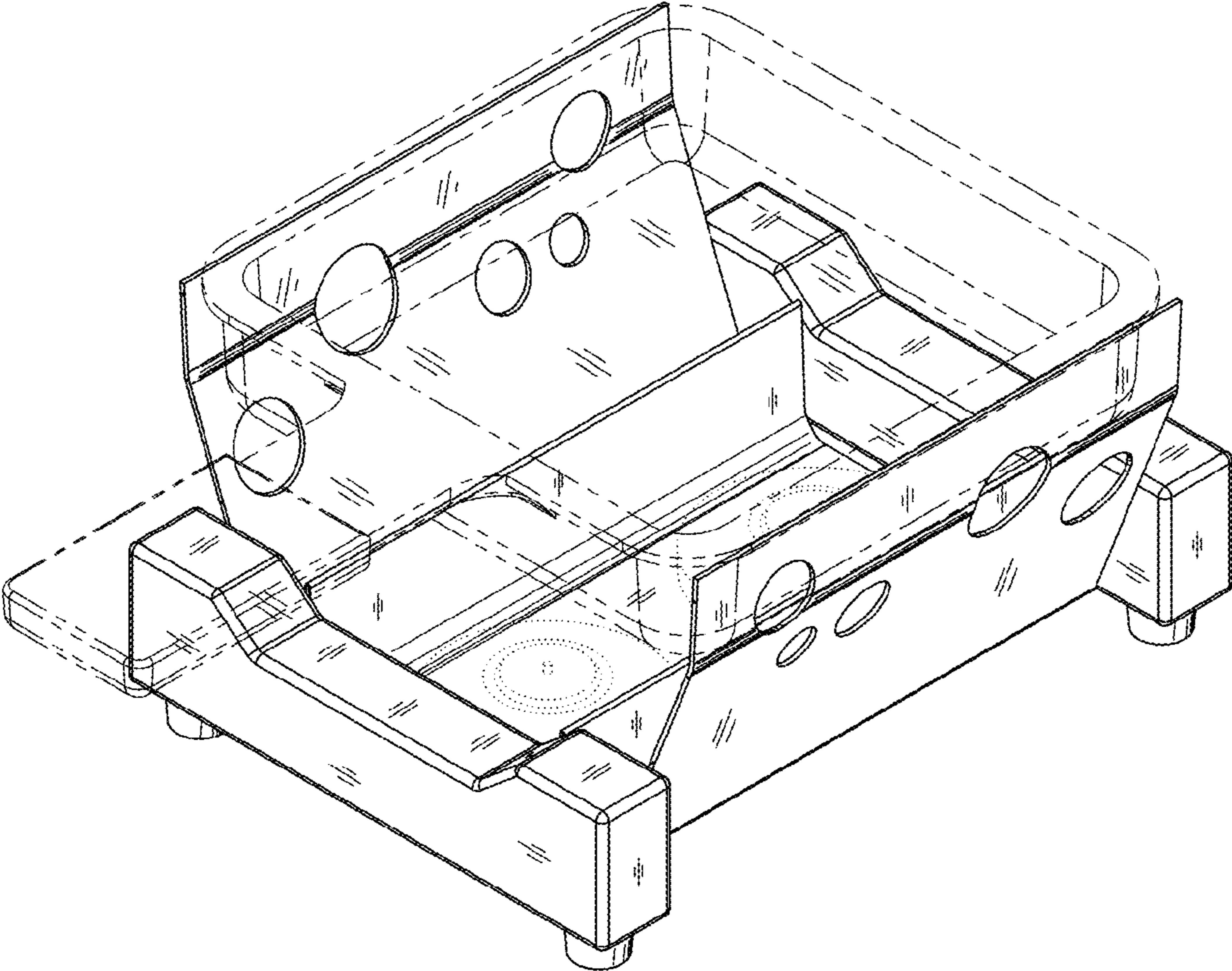


Fig. 2

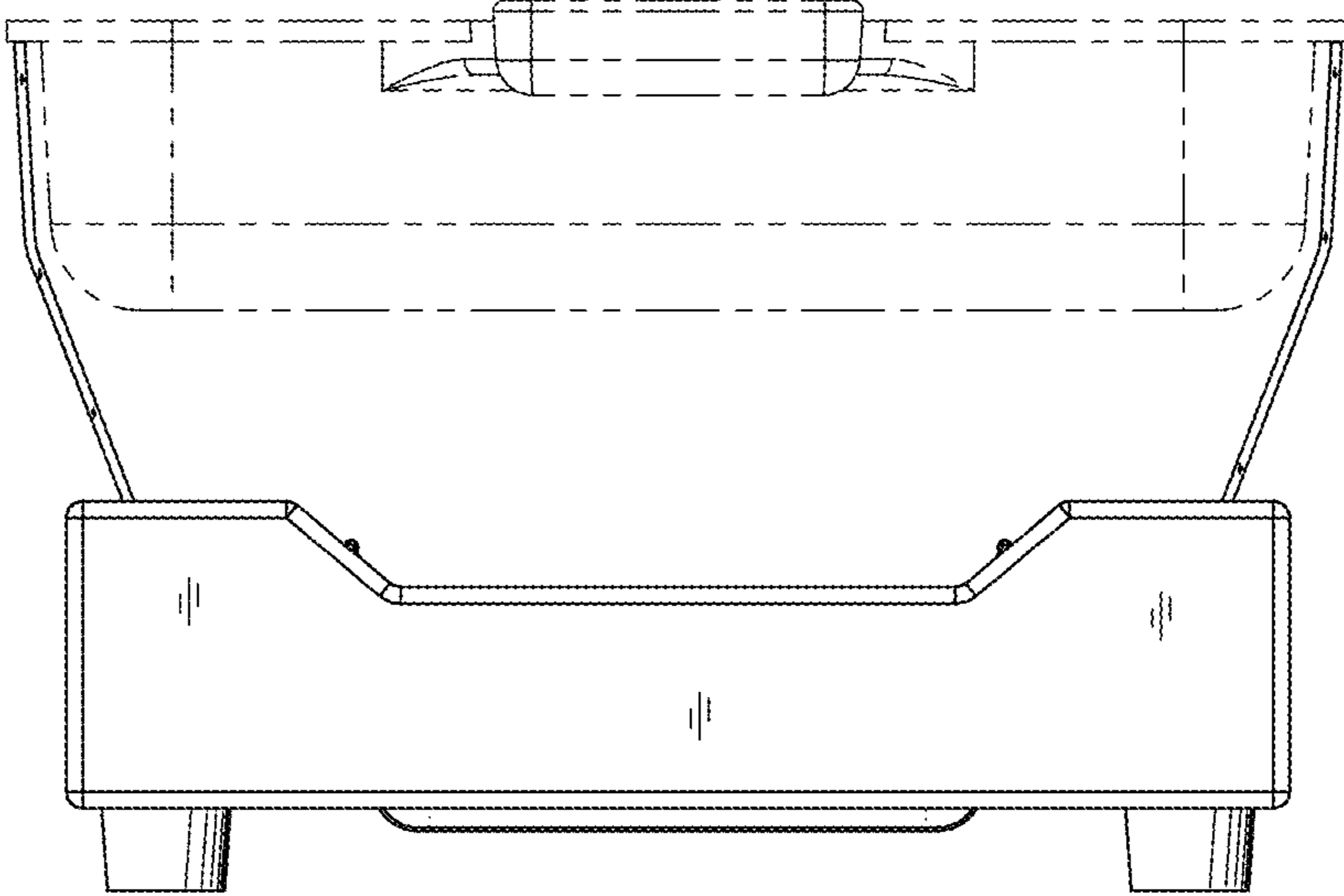


Fig. 3a

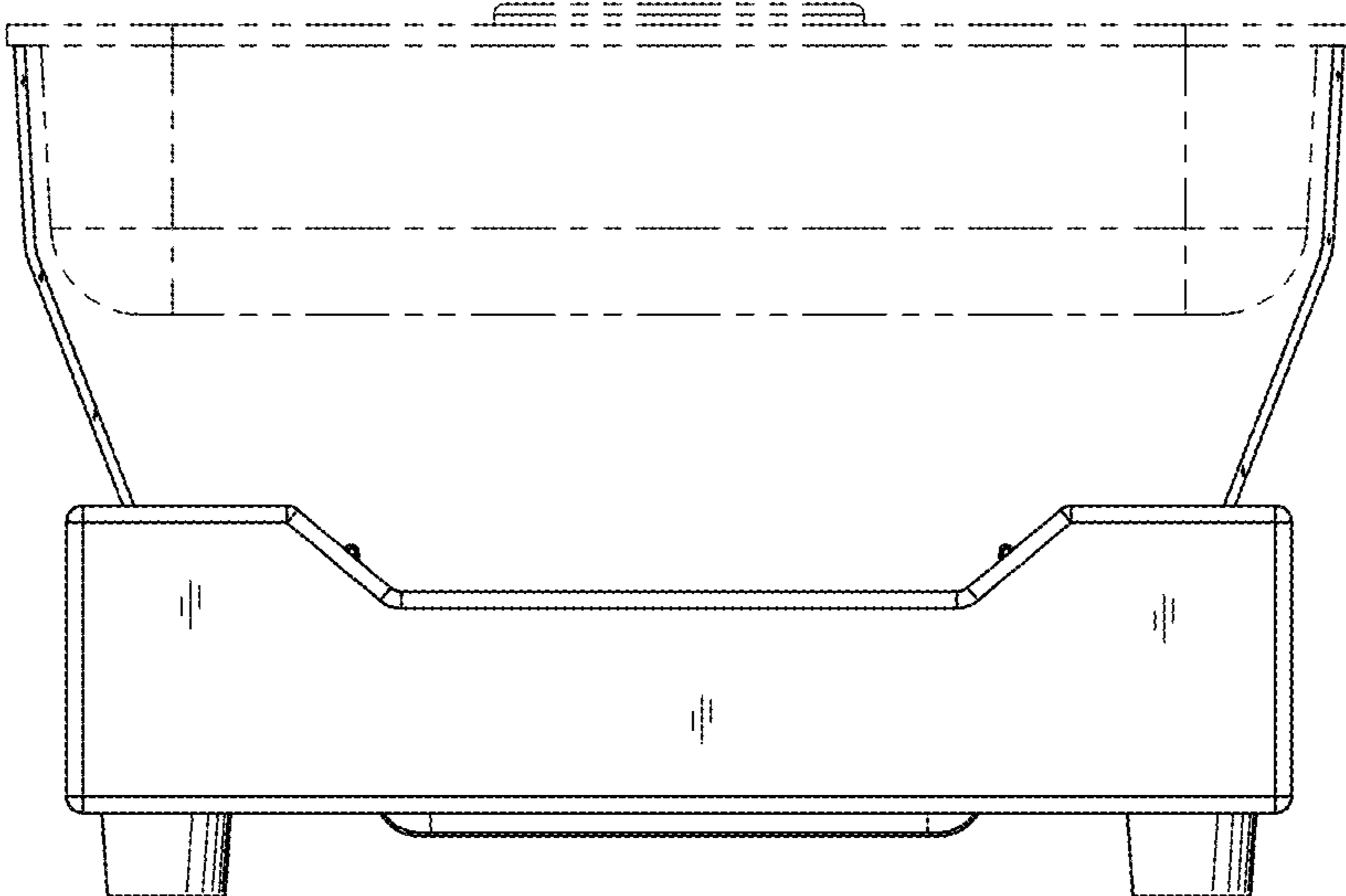


Fig. 3b

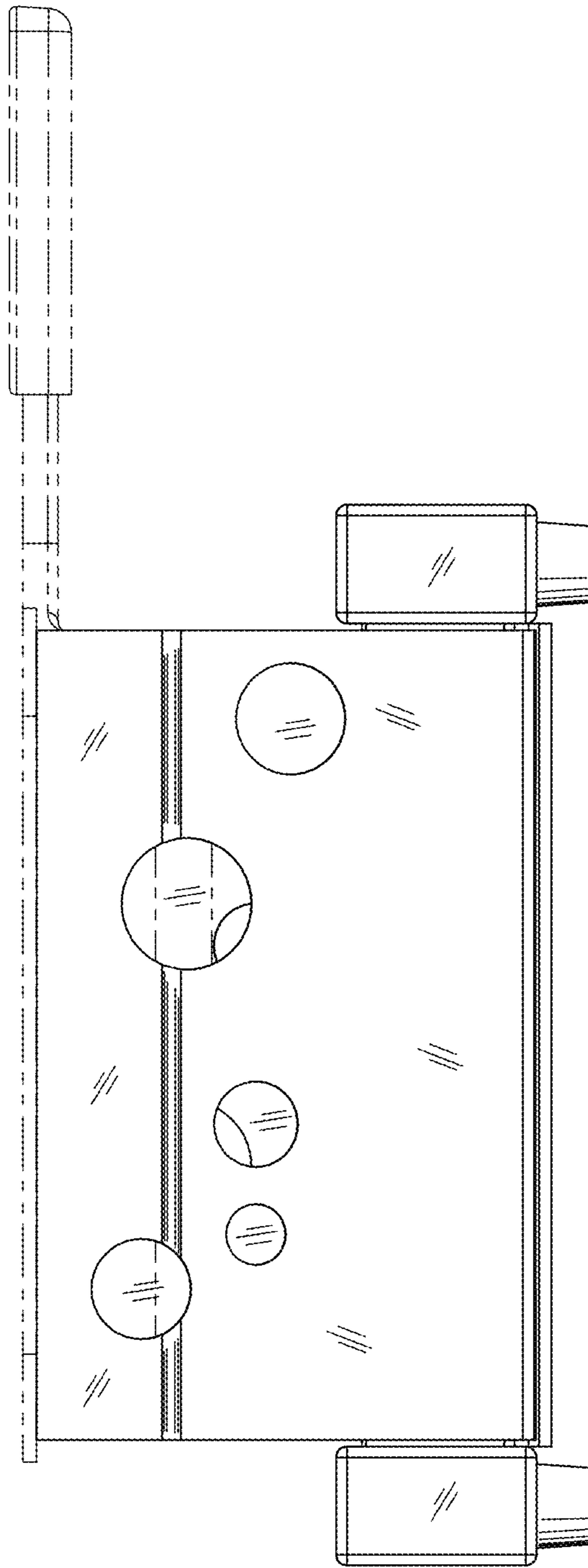


Fig. 4

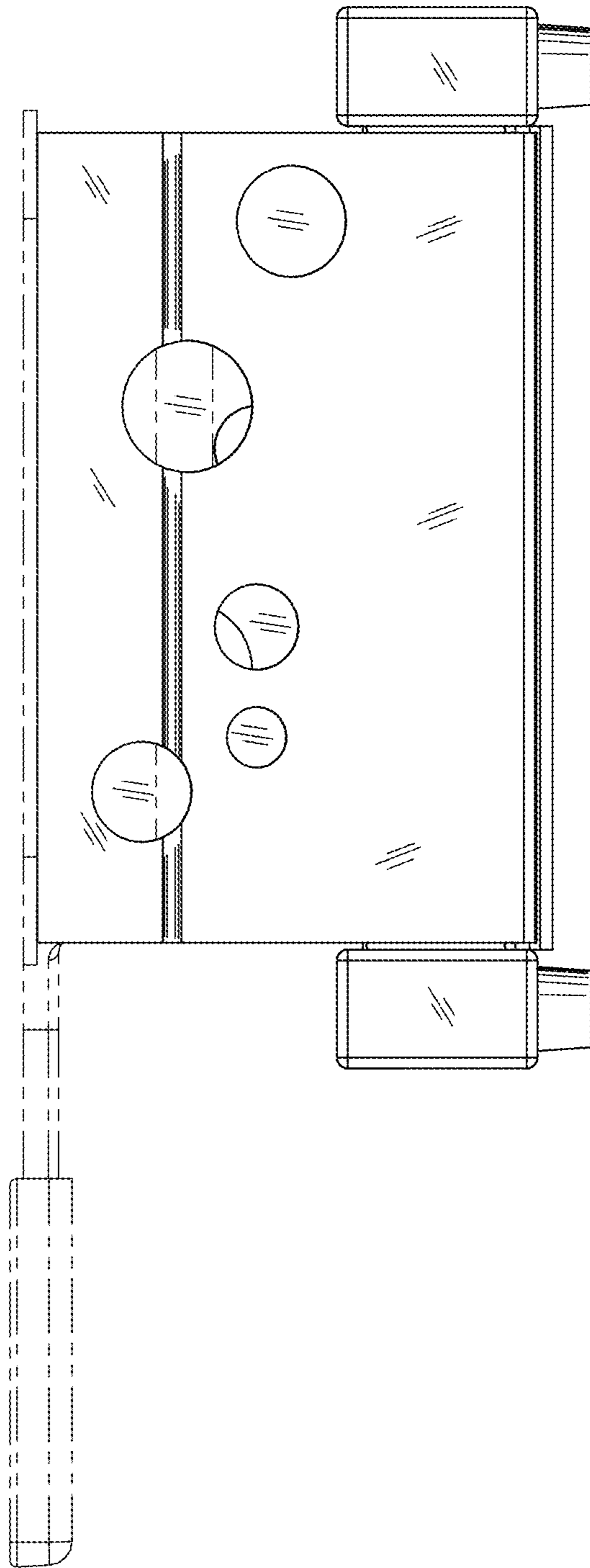


Fig. 5

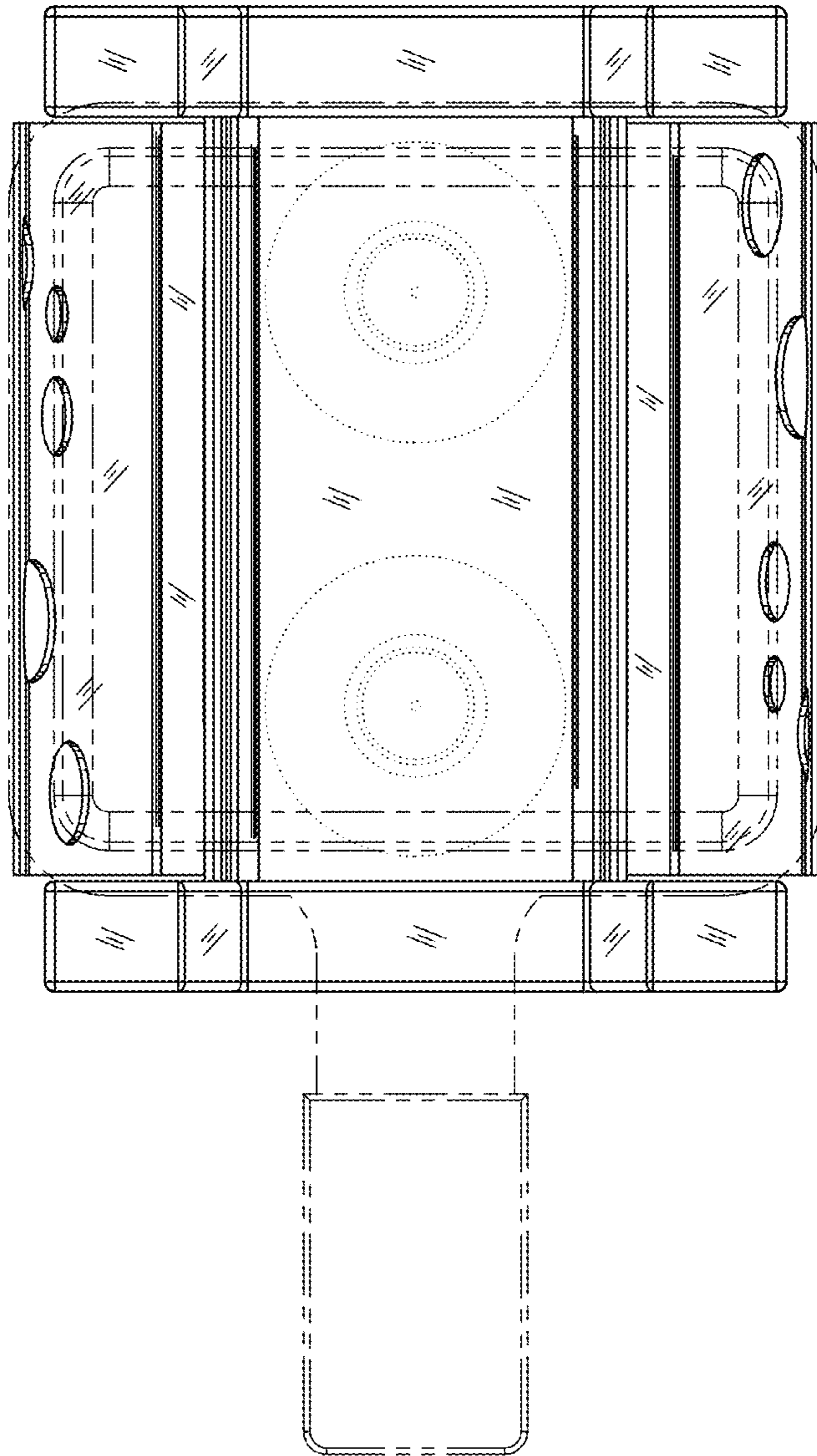


Fig. 6

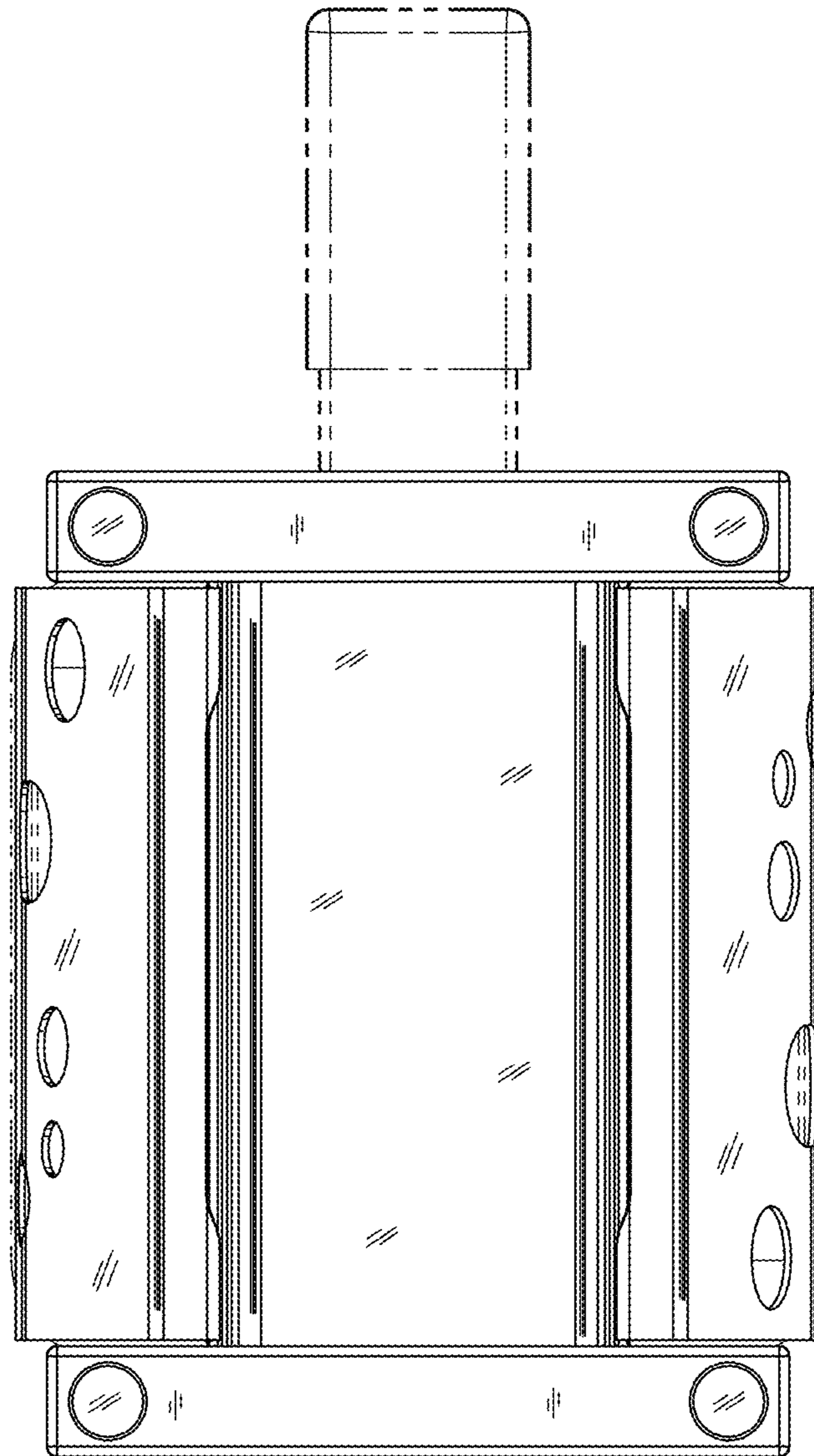


Fig. 7