



US00D735520S

(12) **United States Design Patent**
Mandil

(10) **Patent No.:** **US D735,520 S**
(45) **Date of Patent:** **** Aug. 4, 2015**

(54) **COOKWARE**

- (71) Applicant: **Ralph Mandil**, Elberon, NJ (US)
- (72) Inventor: **Ralph Mandil**, Elberon, NJ (US)
- (73) Assignee: **E. Mishan & Sons, Inc.**, New York, NY (US)
- (**) Term: **14 Years**
- (21) Appl. No.: **29/495,751**
- (22) Filed: **Jul. 3, 2014**

Related U.S. Application Data

- (60) Division of application No. 29/435,762, filed on Oct. 28, 2012, now Pat. No. Des. 710,647, which is a continuation-in-part of application No. 29/399,717, filed on Aug. 17, 2011, now Pat. No. Des. 669,730.
- (51) **LOC (10) Cl.** **07-02**
- (52) **U.S. Cl.**
USPC **D7/354; D7/359**
- (58) **Field of Classification Search**
USPC D7/323, 354-363, 391, 393-396, 402, D7/407, 409; D12/209, 211; 99/324, 331, 99/339-340, 403, 425-426, 444-445; 126/373.1, 383.1-384.1, 390.1; 219/438-439, 620-622; 220/573.1-573.5, 752-753, 755-759, 220/912; 222/465.1, 470, 475.1
CPC A47G 19/12; A47J 27/00; A47J 27/002; A47J 27/08; A47J 27/21; A47J 27/58; A47J 36/025; A47J 36/06; A47J 36/12; A47J 37/00; A47J 37/10; A47J 37/101; A47J 37/103; A47J 37/12; A47J 37/1204; A47J 45/061; A47J 45/071; A47J 45/08; H05B 6/12
See application file for complete search history.

(56) **References Cited**

U.S. PATENT DOCUMENTS

- 1,613,534 A 1/1927 Rice
- 1,733,450 A 10/1929 Detwiler

(Continued)

Primary Examiner — Ricky Pham

(74) *Attorney, Agent, or Firm* — Goldberg Cohen LLP

(57) **CLAIM**

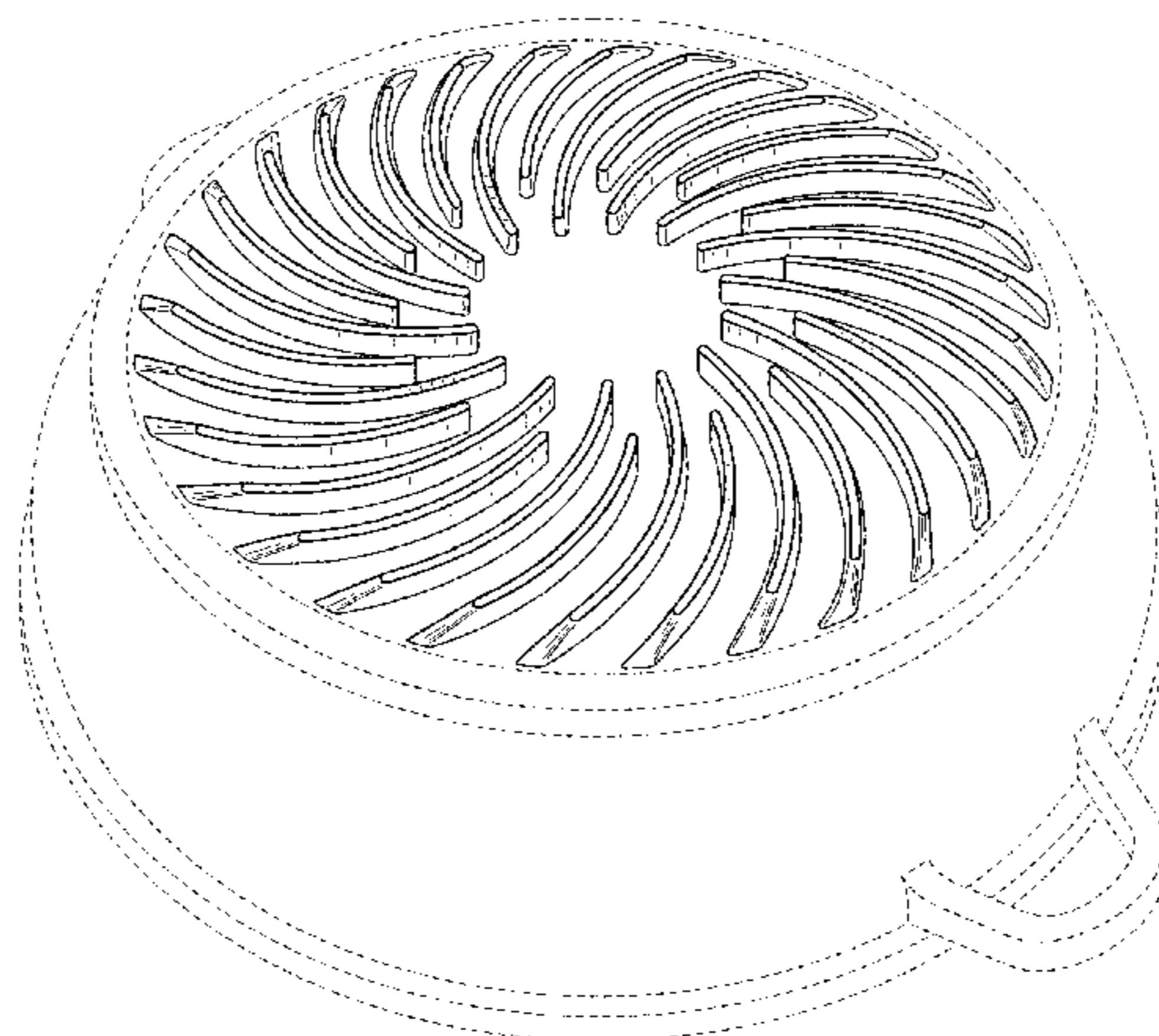
I claim the ornamental design for cookware, as shown and described.

DESCRIPTION

FIG. 1 is a bottom perspective view of one embodiment of the present invention;

FIG. 2 is a front view of the embodiment of FIG. 1, with the back view being a mirror image thereof;
 FIG. 3 is a right side view of the embodiment of FIG. 1, with the left side view being a mirror image thereof;
 FIG. 4 is a top view of the embodiment of FIG. 1;
 FIG. 5 is a bottom view of the embodiment of FIG. 1;
 FIG. 6 is a bottom perspective view of a further embodiment of the present invention;
 FIG. 7 is a front view of the embodiment of FIG. 6, with the back view being a mirror image thereof;
 FIG. 8 is a right side view of the embodiment of FIG. 6, with the left side being a mirror image thereof;
 FIG. 9 is a top view of the embodiment of FIG. 6;
 FIG. 10 is a bottom view of the embodiment of FIG. 6;
 FIG. 11 is a bottom perspective view of a further embodiment of the present invention;
 FIG. 12 is a front view of the embodiment of FIG. 11, with the back view being a mirror image thereof;
 FIG. 13 is a right side view of the embodiment of FIG. 11, with the left side being a mirror image thereof;
 FIG. 14 is a top view of the embodiment of FIG. 11;
 FIG. 15 is a bottom view of the embodiment of FIG. 11;
 FIG. 16 is a bottom perspective view of a further embodiment of the present invention;
 FIG. 17 is a front view of the embodiment of FIG. 16, with the back view being a mirror image thereof;
 FIG. 18 is a right side view of the embodiment of FIG. 16, with the left side being a mirror image thereof;
 FIG. 19 is a top view of the embodiment of FIG. 16;
 FIG. 20 is a bottom view of the embodiment of FIG. 16;
 FIG. 21 is a bottom perspective view of a further embodiment of the present invention;
 FIG. 22 is a front view of the embodiment of FIG. 21;
 FIG. 23 is a back view of the embodiment of FIG. 21;
 FIG. 24 is a right side view of the embodiment of FIG. 21;
 FIG. 25 is a left side view of the embodiment of FIG. 21;
 FIG. 26 is a top view of the embodiment of FIG. 21; and,
 FIG. 27 is a bottom view of the embodiment of FIG. 21.
 The broken line showing in the figures is for illustrative purposes only and forms no part of the claimed design.

1 Claim, 21 Drawing Sheets



(56)

References Cited

U.S. PATENT DOCUMENTS

1,737,498 A	11/1929	Hanes		D490,355 S	5/2004	Francis	
2,085,220 A	6/1937	Howlett		D517,743 S	3/2006	Perrin	
2,213,378 A	3/1940	Benesh		D541,486 S	4/2007	Mahaffey	
D230,459 S	2/1974	Gulotta		D549,632 S *	8/2007	Sands	D12/209
3,799,048 A	3/1974	Finley		D552,925 S	10/2007	Kloppsteck	
D251,107 S	2/1979	Ottier		7,319,211 B2	1/2008	Castey Dominguez	
D252,008 S *	6/1979	Jeambey	D7/359	D562,060 S	2/2008	Kloppsteck	
D264,036 S	4/1982	Pomroy et al.		D562,621 S	2/2008	Kloppsteck	
D269,586 S	7/1983	Allgeyer et al.		D567,166 S	4/2008	Bogani	
4,508,100 A	4/1985	Deville		D582,202 S	12/2008	Gerlach	
D283,003 S	3/1986	McKinley		D585,237 S	1/2009	Gerlach	
D284,543 S	7/1986	Huls		D586,612 S	2/2009	Rae	
4,926,843 A	5/1990	Vocke et al.		D589,741 S *	4/2009	Gerlach	D7/361
5,076,434 A	12/1991	Hoffman, Jr.		D592,445 S	5/2009	Sorenson et al.	
5,239,916 A	8/1993	Hu		D594,270 S	6/2009	Rae	
5,357,850 A	10/1994	Coudurier		D618,505 S	6/2010	Rae	
5,396,834 A	3/1995	Gambini		D627,193 S	11/2010	Marin	
5,411,014 A	5/1995	Paul		D627,194 S	11/2010	Marin	
5,487,329 A	1/1996	Fissler		D627,195 S	11/2010	Marin	
D373,287 S	9/1996	Antonio		D639,600 S	6/2011	Odeh	
D392,152 S	3/1998	Rae		D639,604 S	6/2011	Degnan	
D392,840 S *	3/1998	Rae	D7/402	8,037,602 B2	10/2011	Huang	
D396,441 S	7/1998	Nishida		D669,730 S *	10/2012	Mandil	D7/359
D414,981 S	10/1999	Roskind et al.		D678,712 S *	3/2013	Mehler	D7/359
6,082,249 A	7/2000	Su		D684,423 S *	6/2013	Dobert et al.	D7/407
D440,112 S	4/2001	Su		D684,808 S *	6/2013	Mehler	D7/359
D450,288 S *	11/2001	Lee	D12/209	D695,059 S *	12/2013	Mehler et al.	D7/359
D458,796 S	6/2002	Kellermann		D699,514 S *	2/2014	Lovley et al.	D7/409
D458,797 S	6/2002	Kellermann		D710,647 S *	8/2014	Mandil et al.	D7/354
D458,798 S	6/2002	Kellermann		2007/0193575 A1	8/2007	Jan	
D464,009 S *	10/2002	Laengerer	D12/211	2008/0035139 A1	2/2008	Marin	
D467,462 S	12/2002	Teisen-Simony et al.		2008/0223359 A1	9/2008	Huang	
D475,571 S	6/2003	Hopkins		2010/0083949 A1	4/2010	Lisheng	
				2010/0084412 A1	4/2010	Huang	
				2010/0206884 A1	8/2010	Tunstall	
				2010/0242282 A1	9/2010	Huang	

* cited by examiner

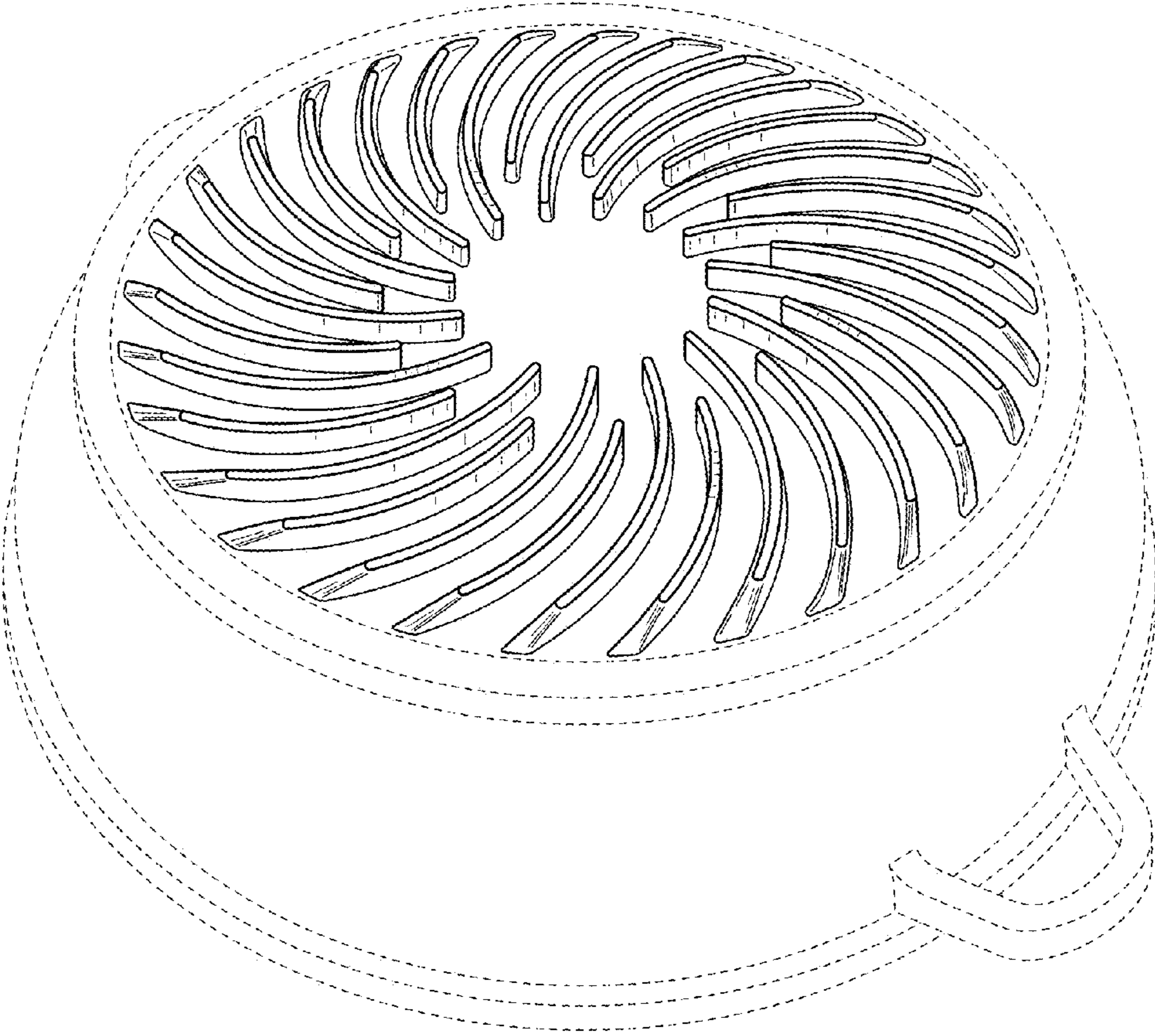


FIG. 1

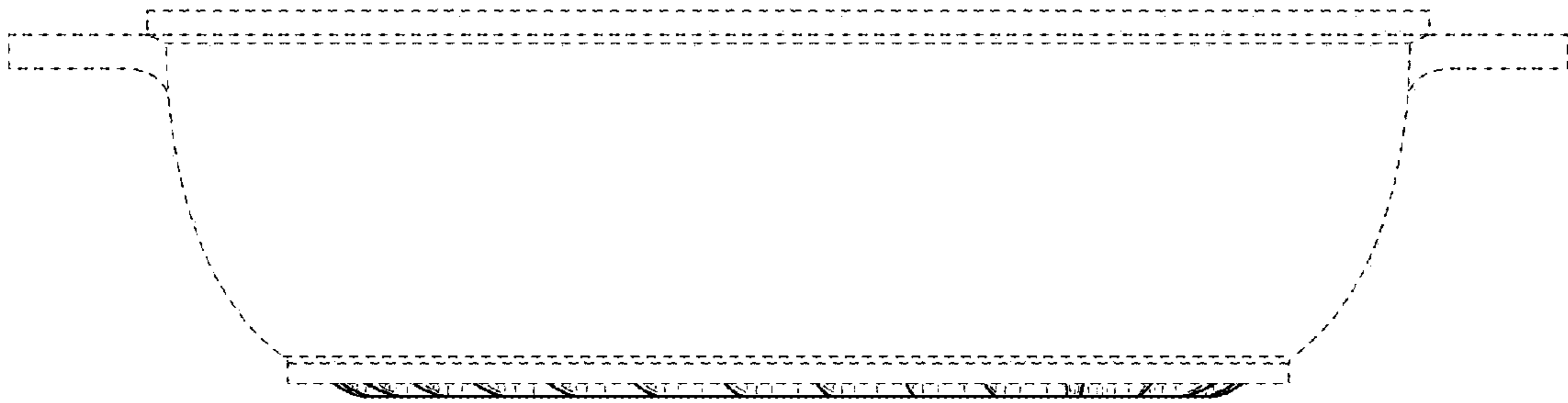


FIG. 2

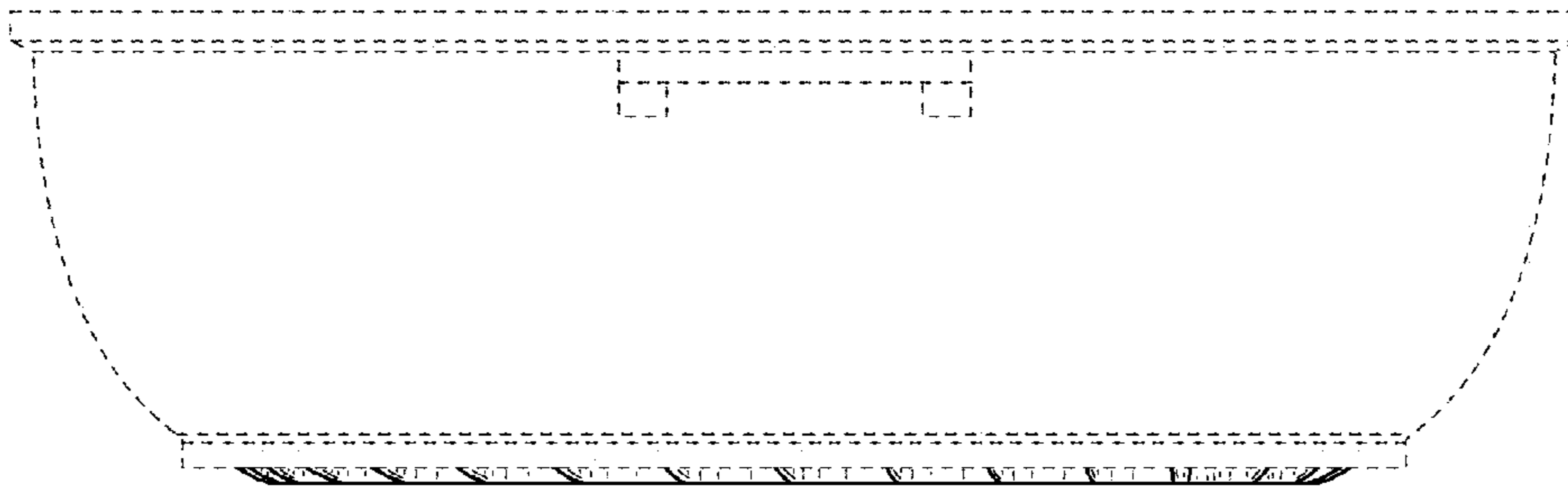


FIG. 3

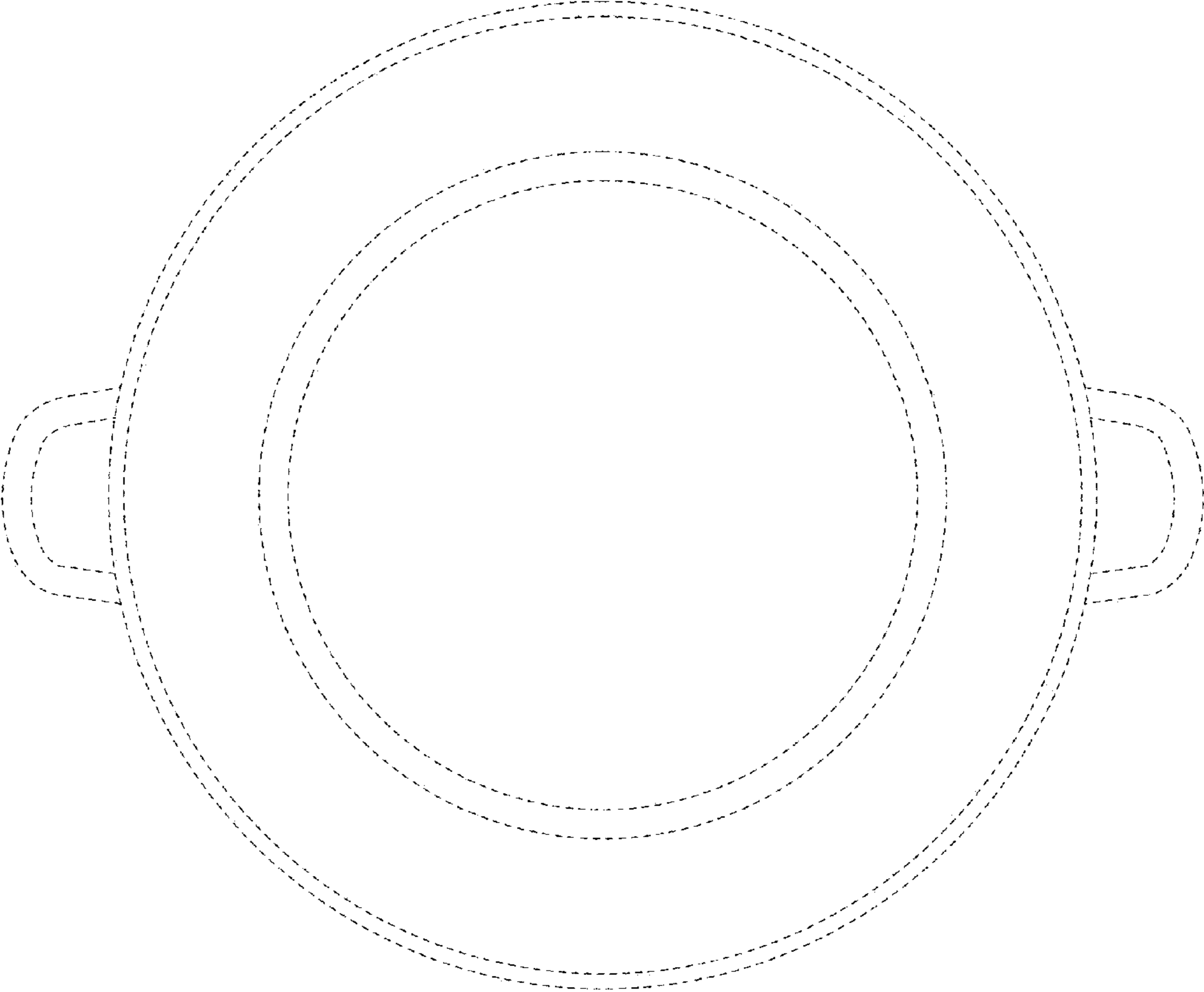


FIG. 4

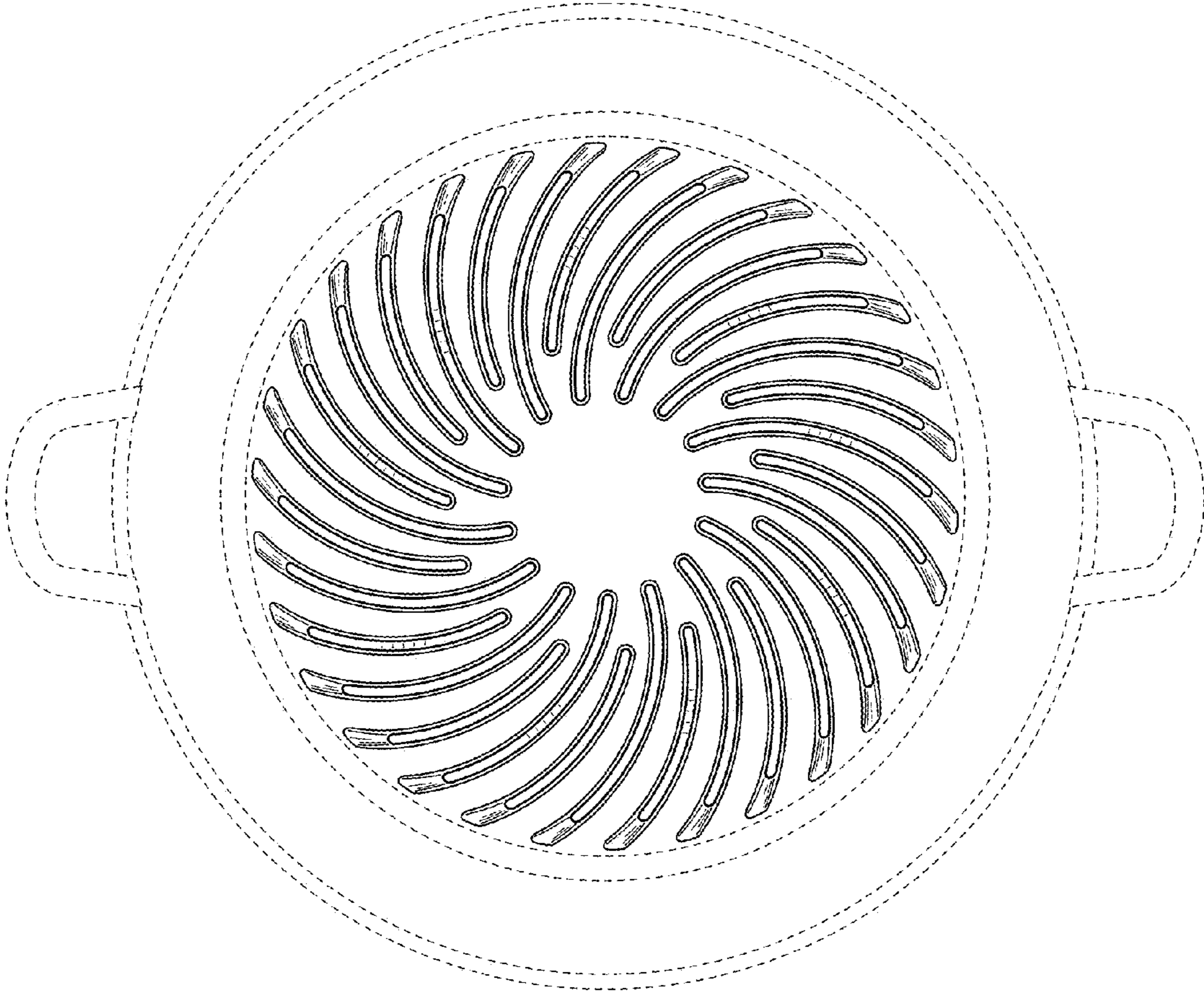


FIG. 5

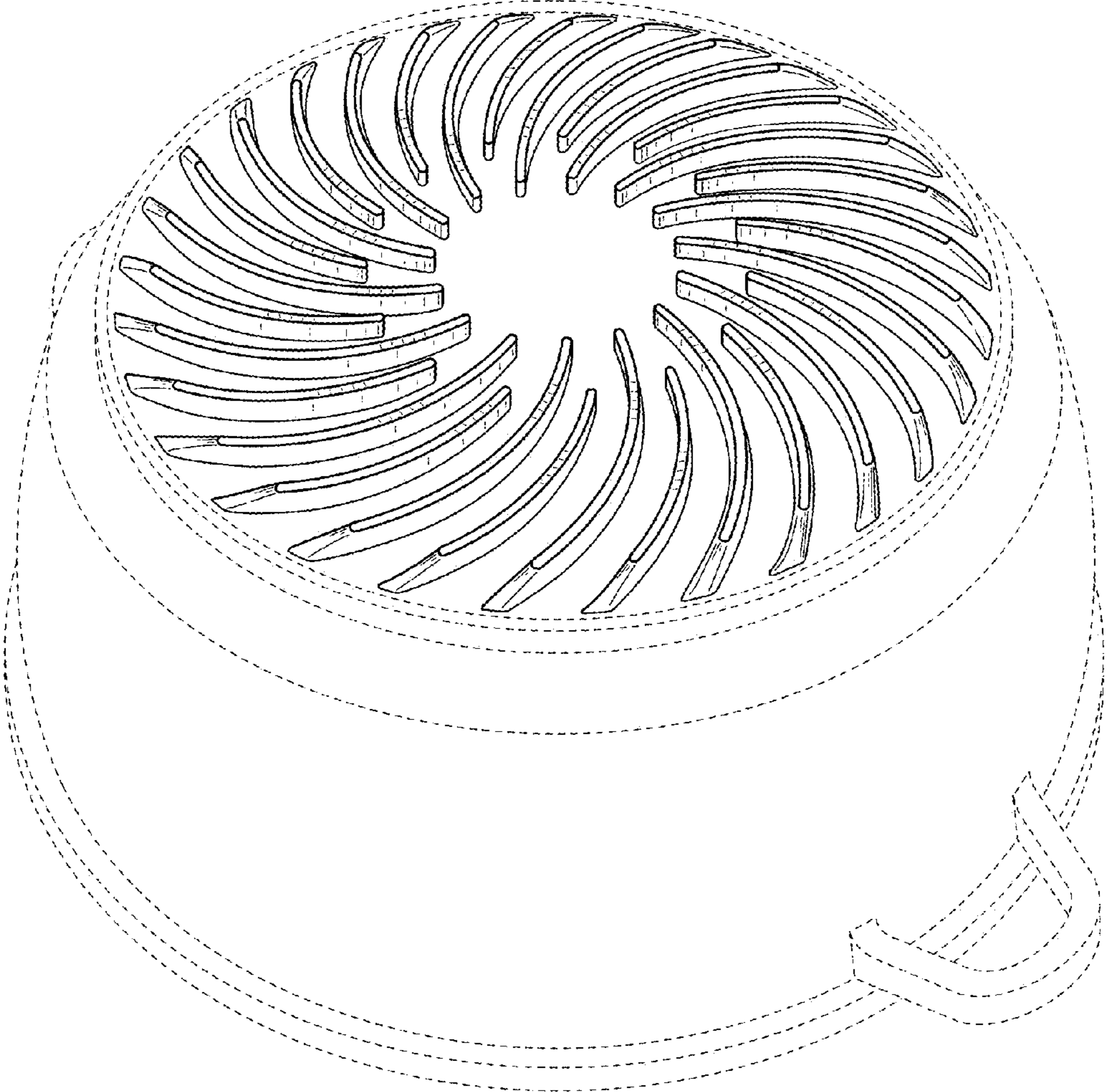


FIG. 6



FIG. 7

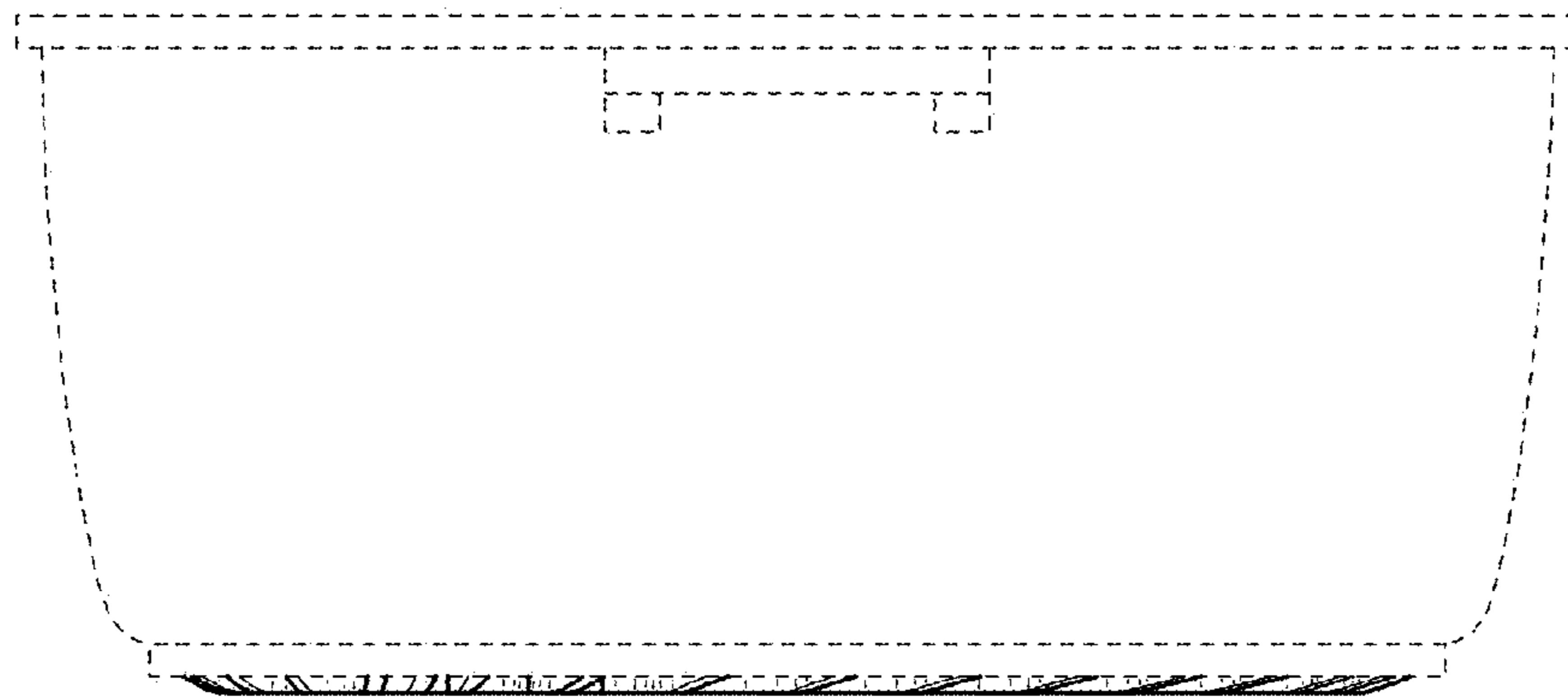


FIG. 8

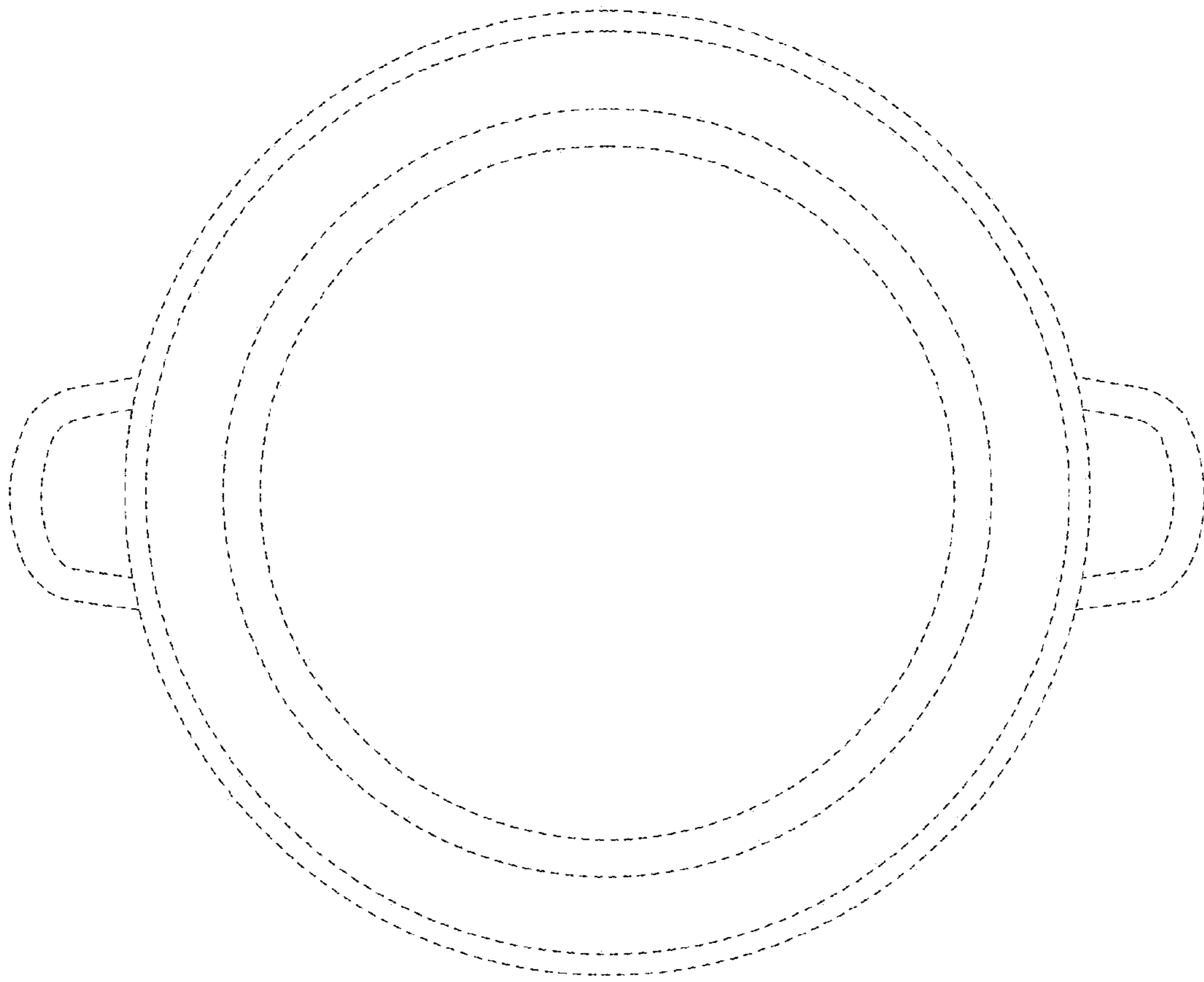


FIG.9

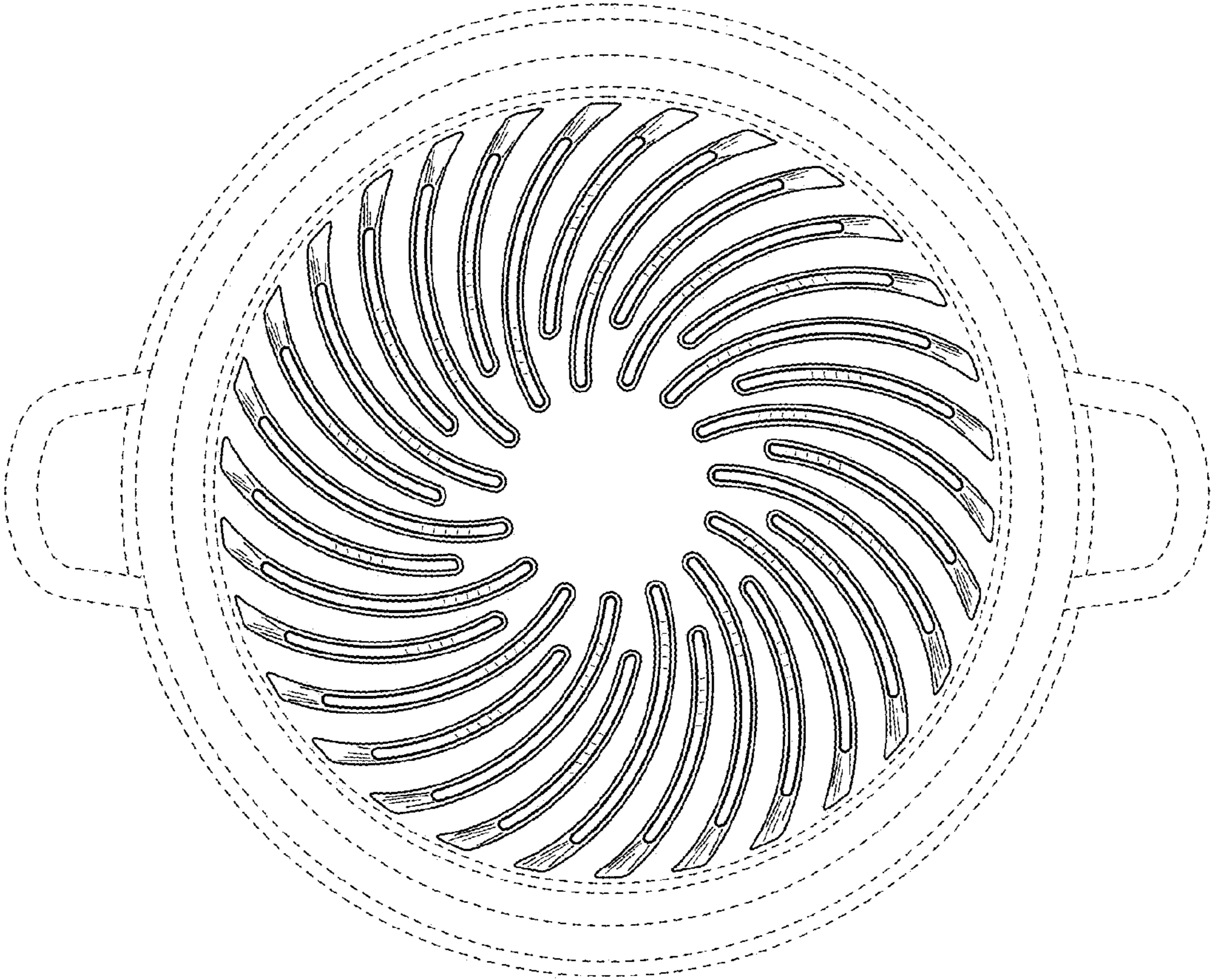


FIG. 10

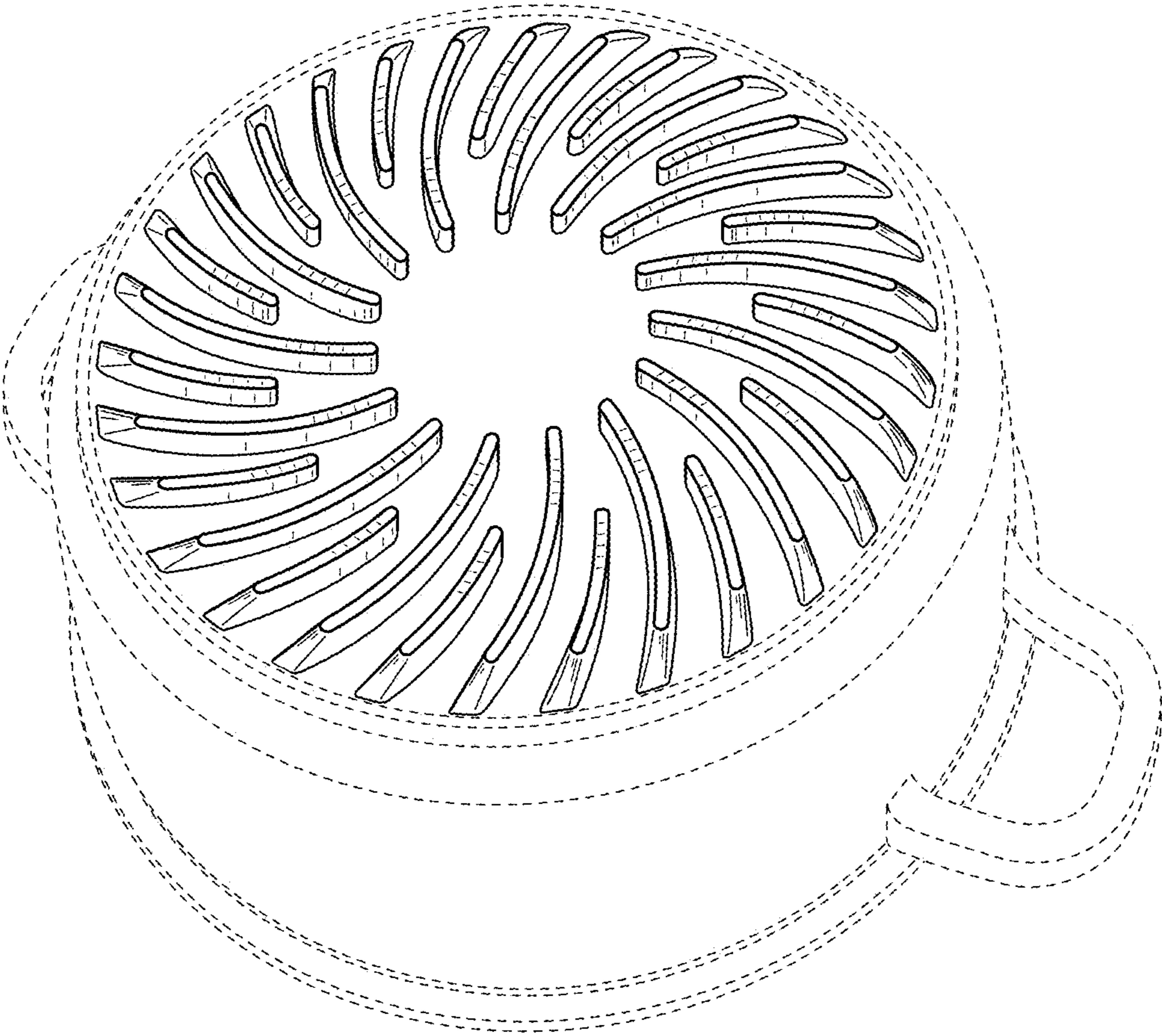


FIG. 11

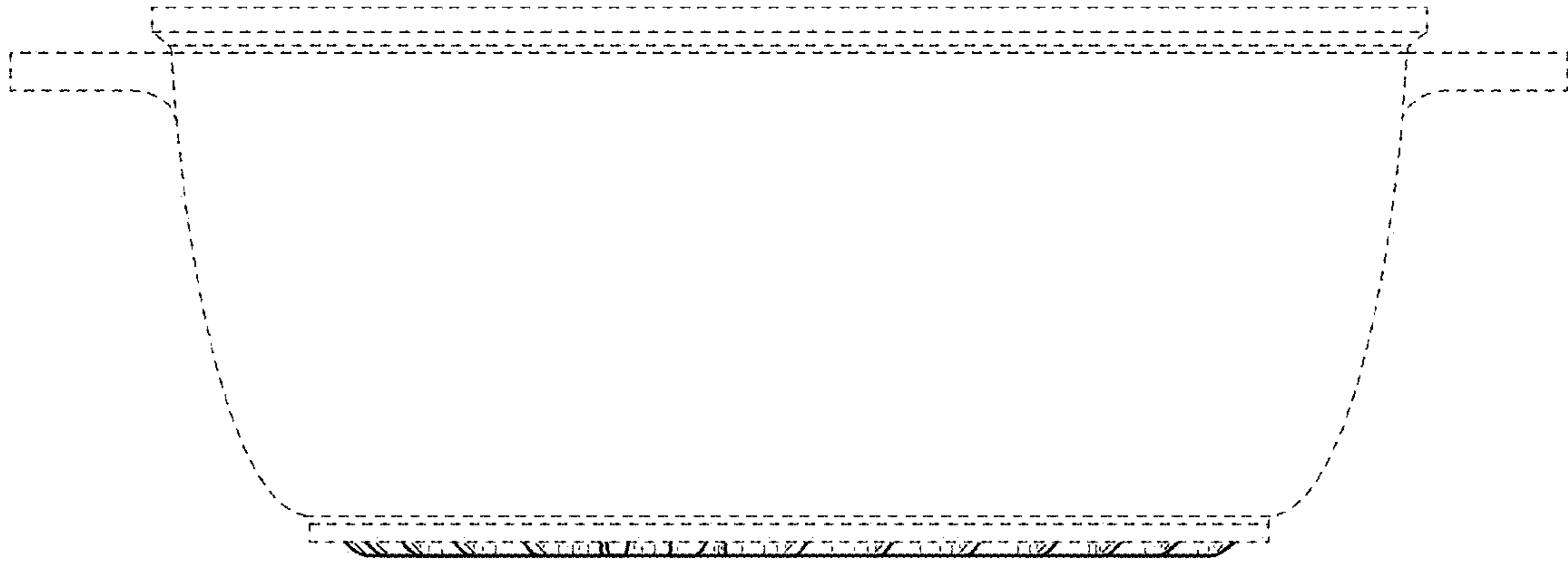


FIG. 12

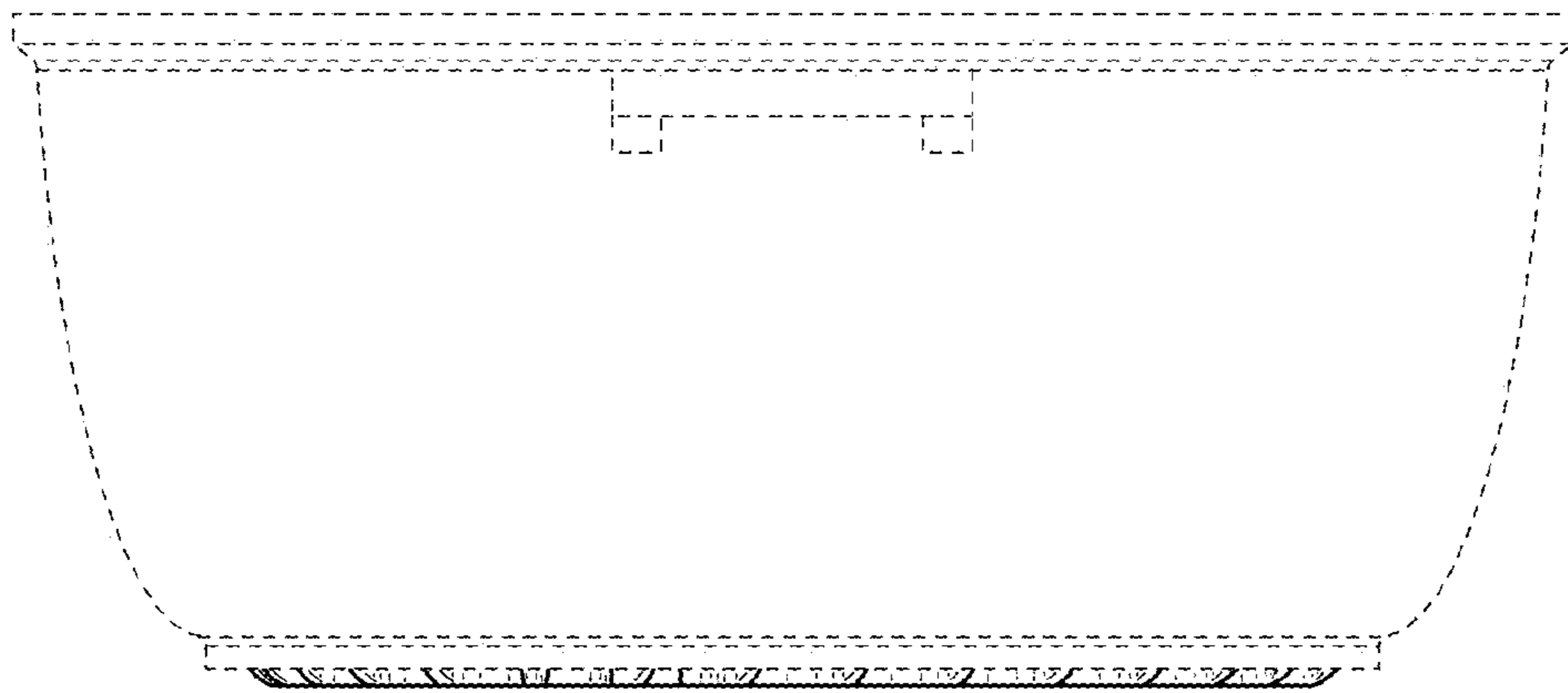


FIG. 13

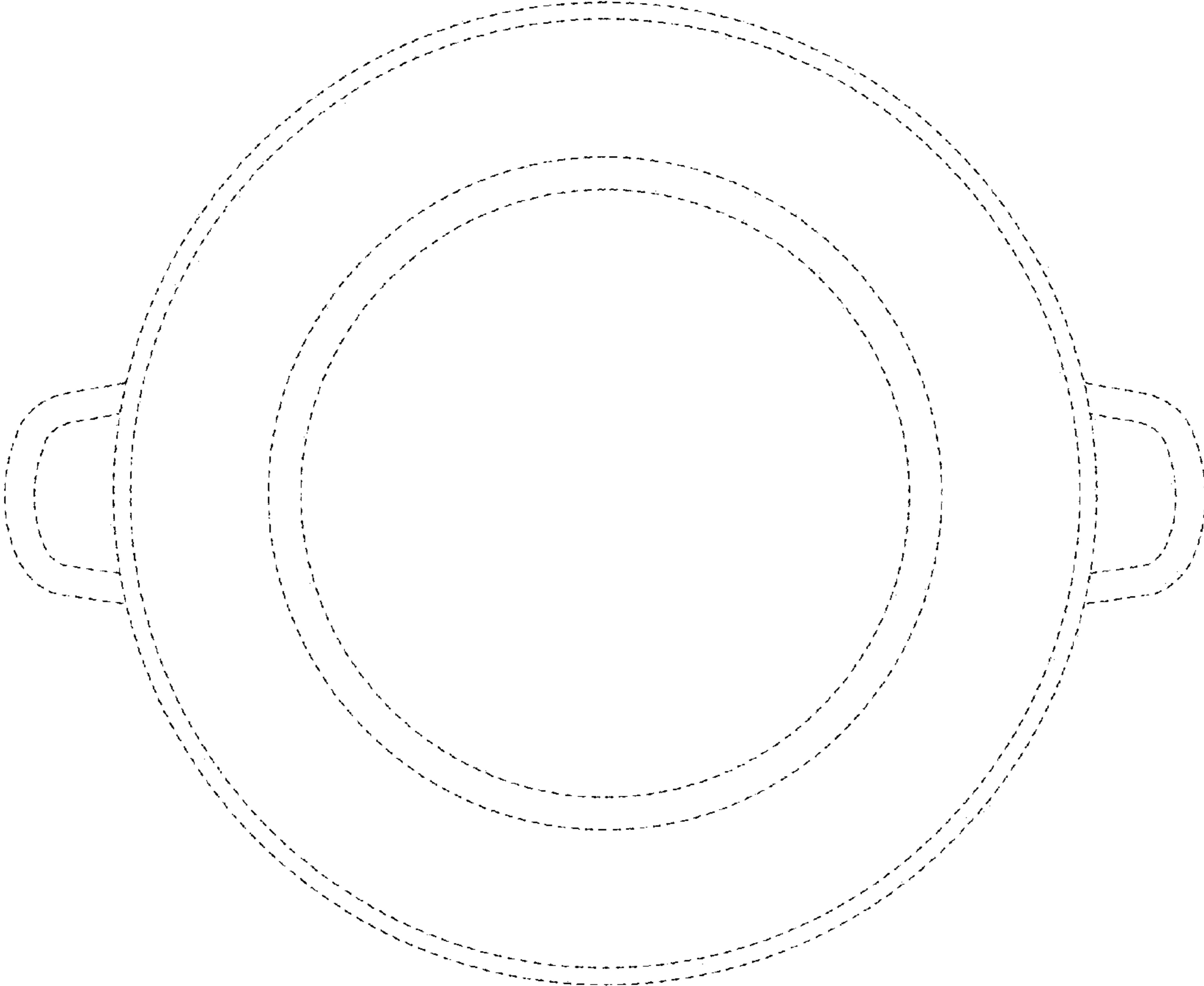


FIG. 14

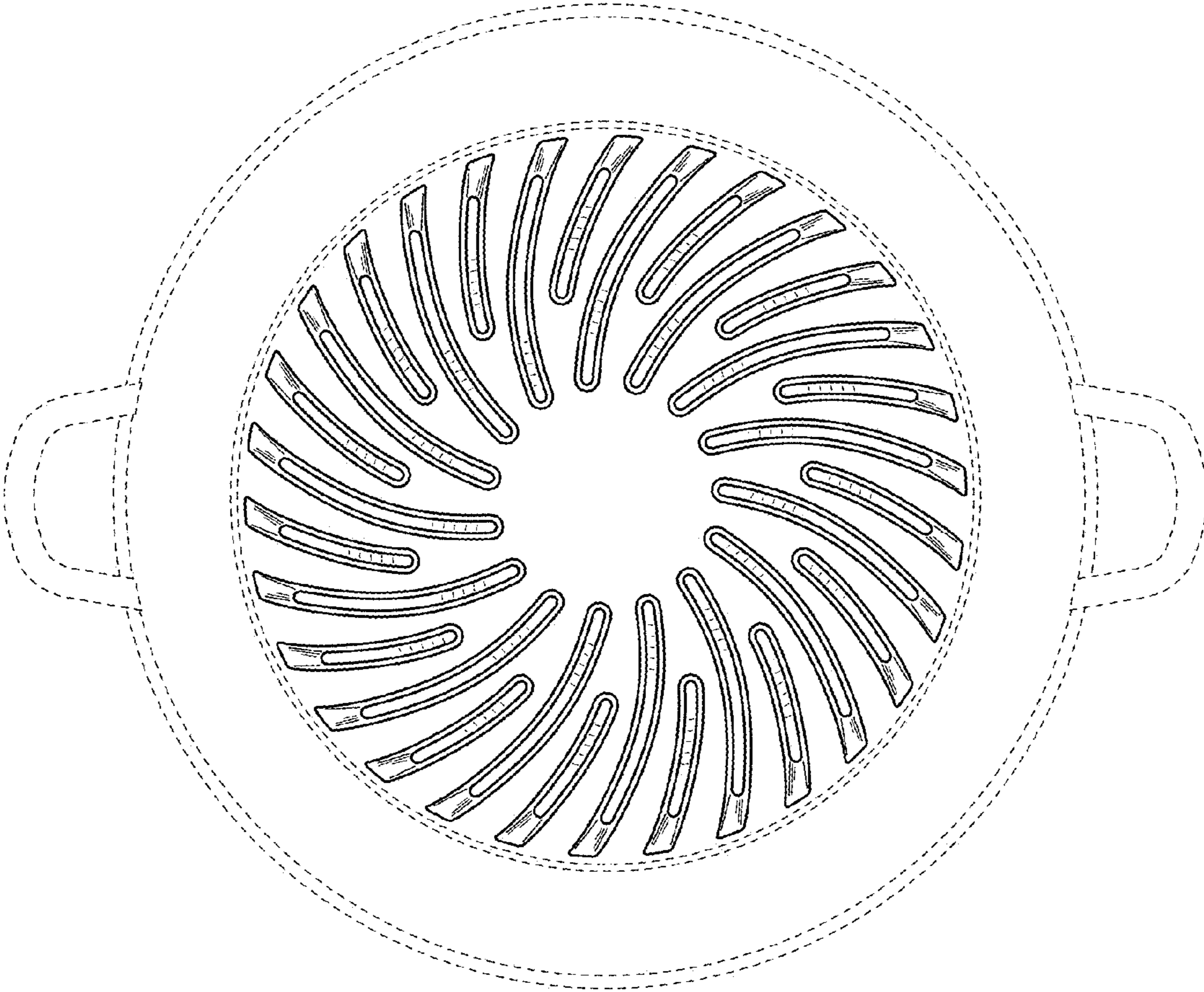


FIG.15

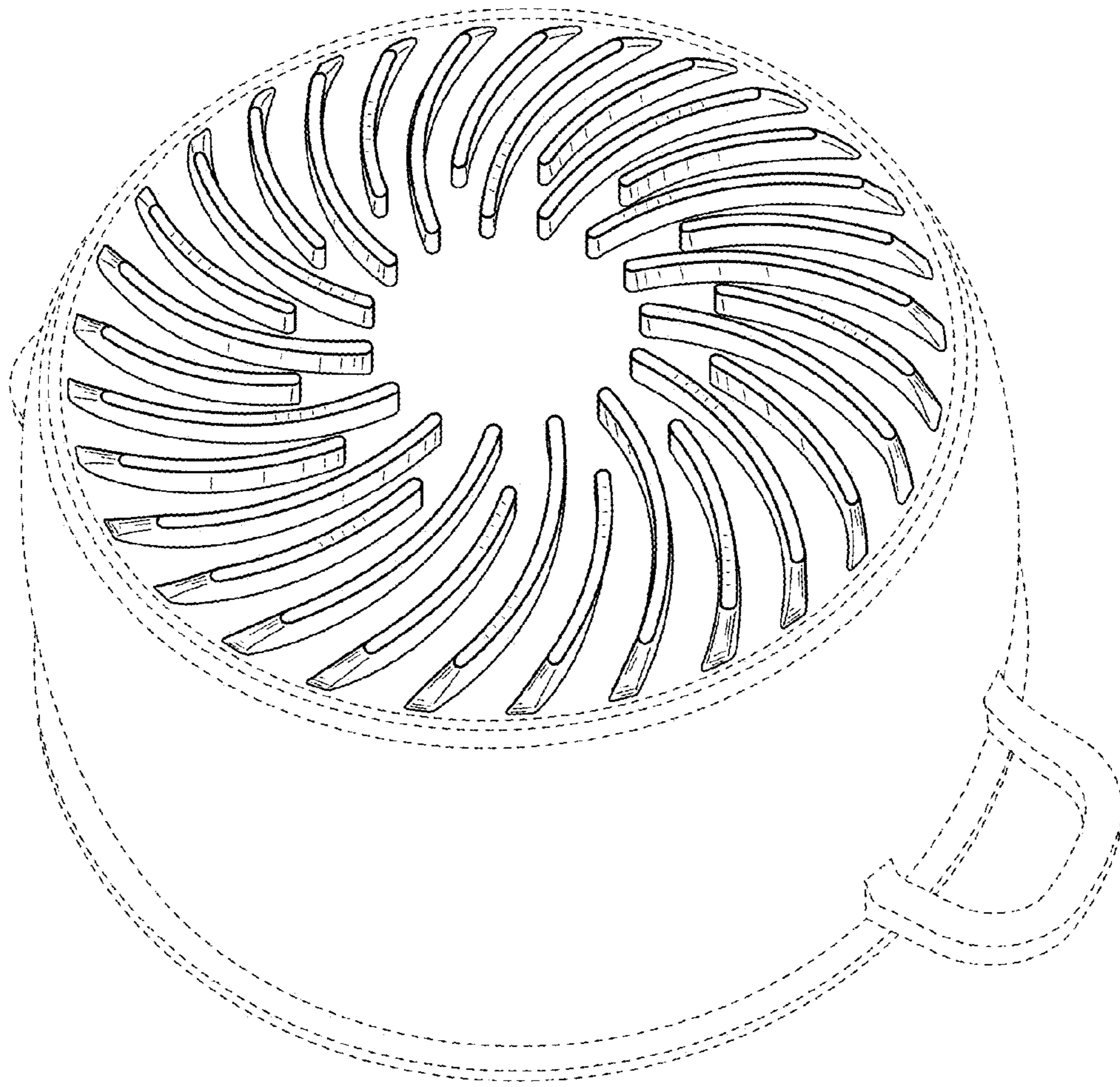


FIG. 16

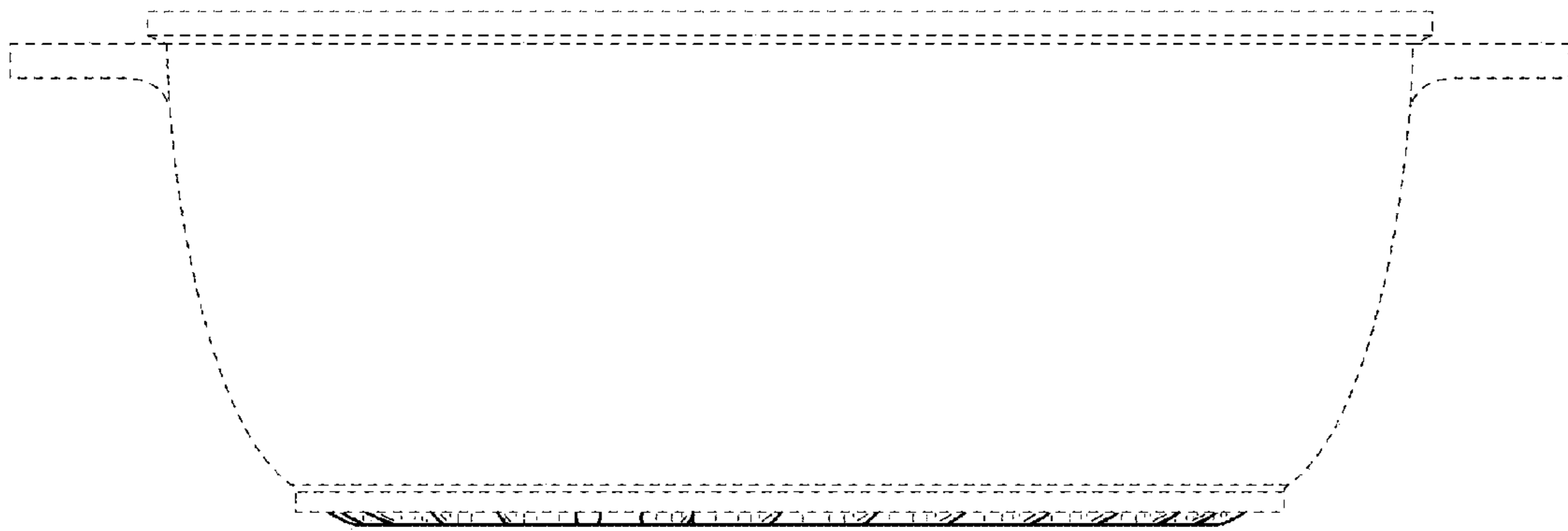


FIG. 17

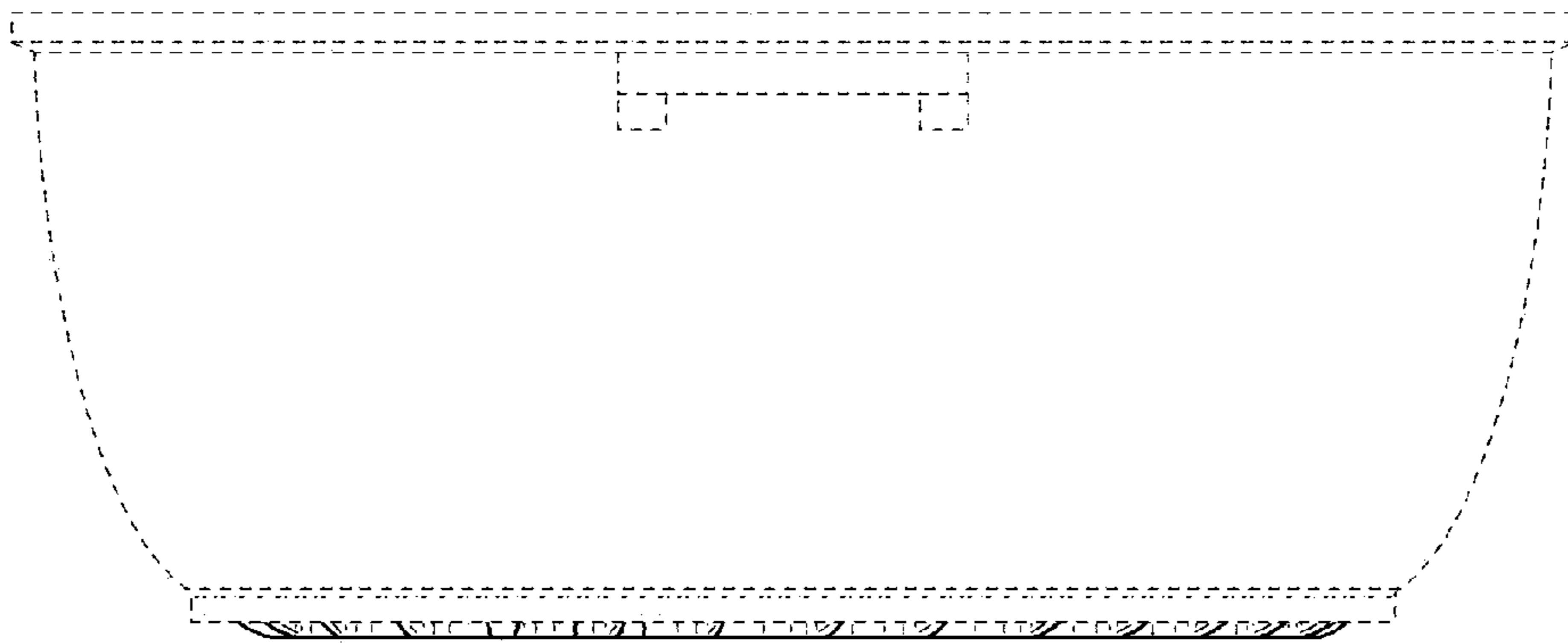


FIG. 18

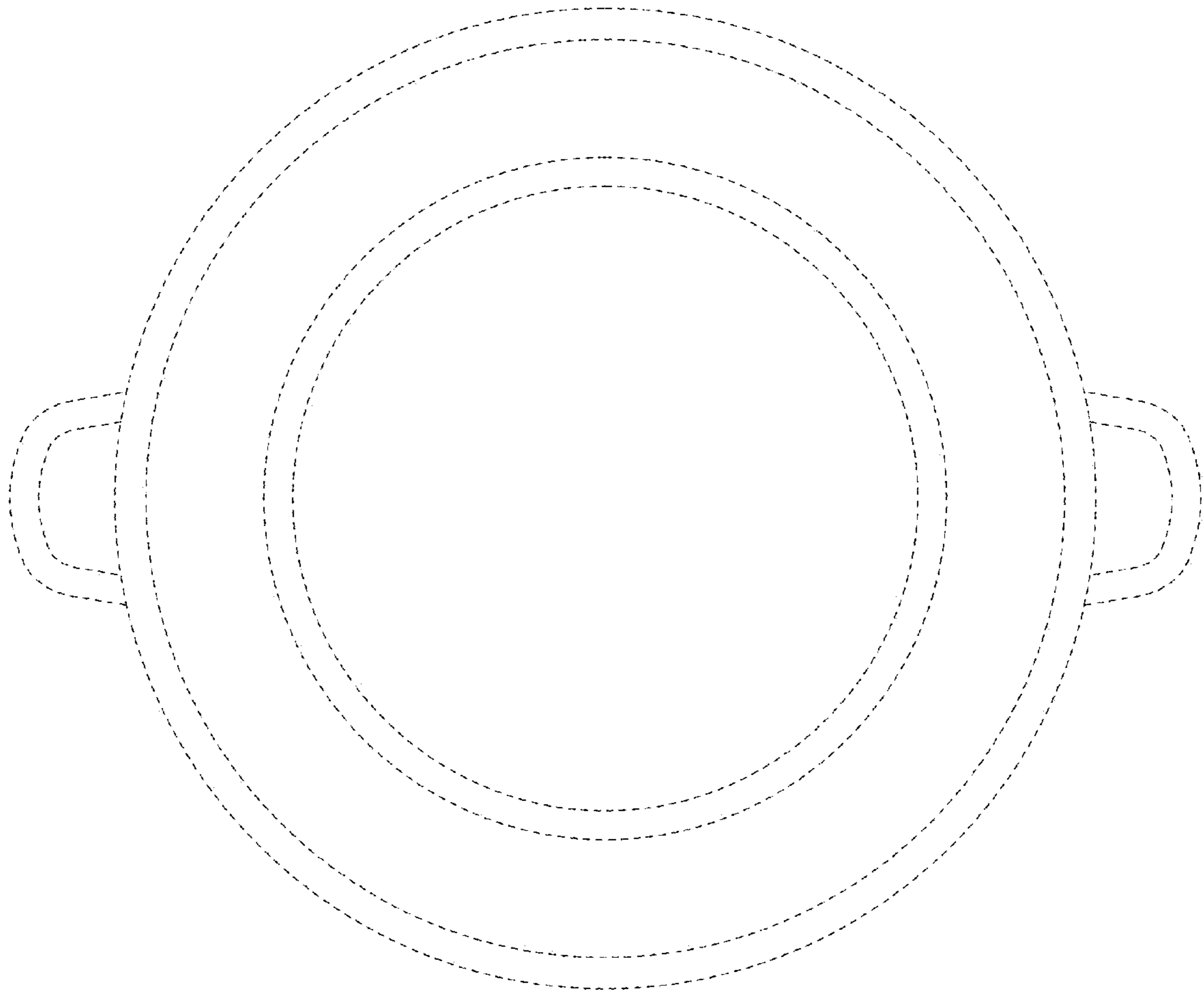


FIG. 19



FIG. 20

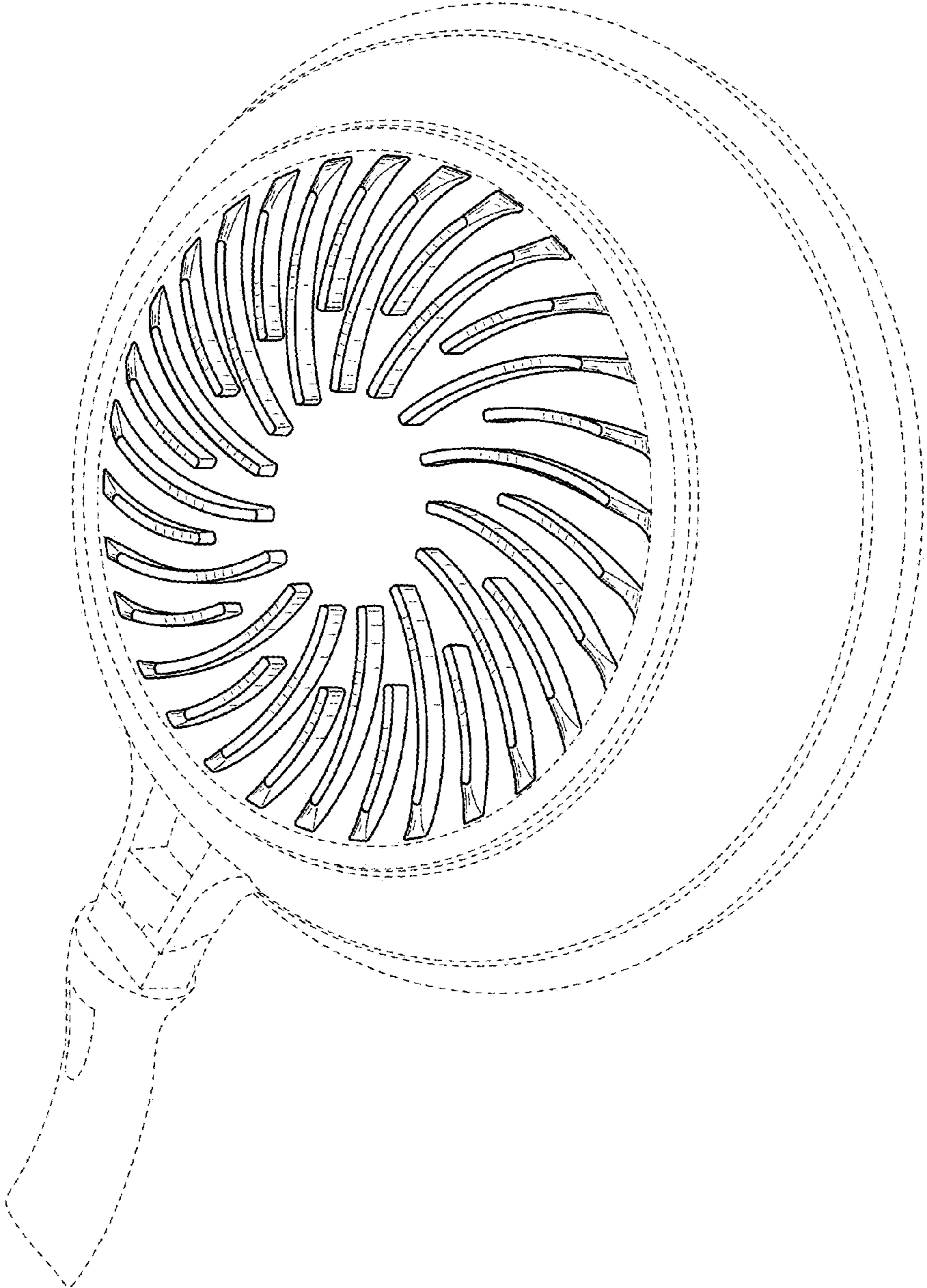


FIG. 21

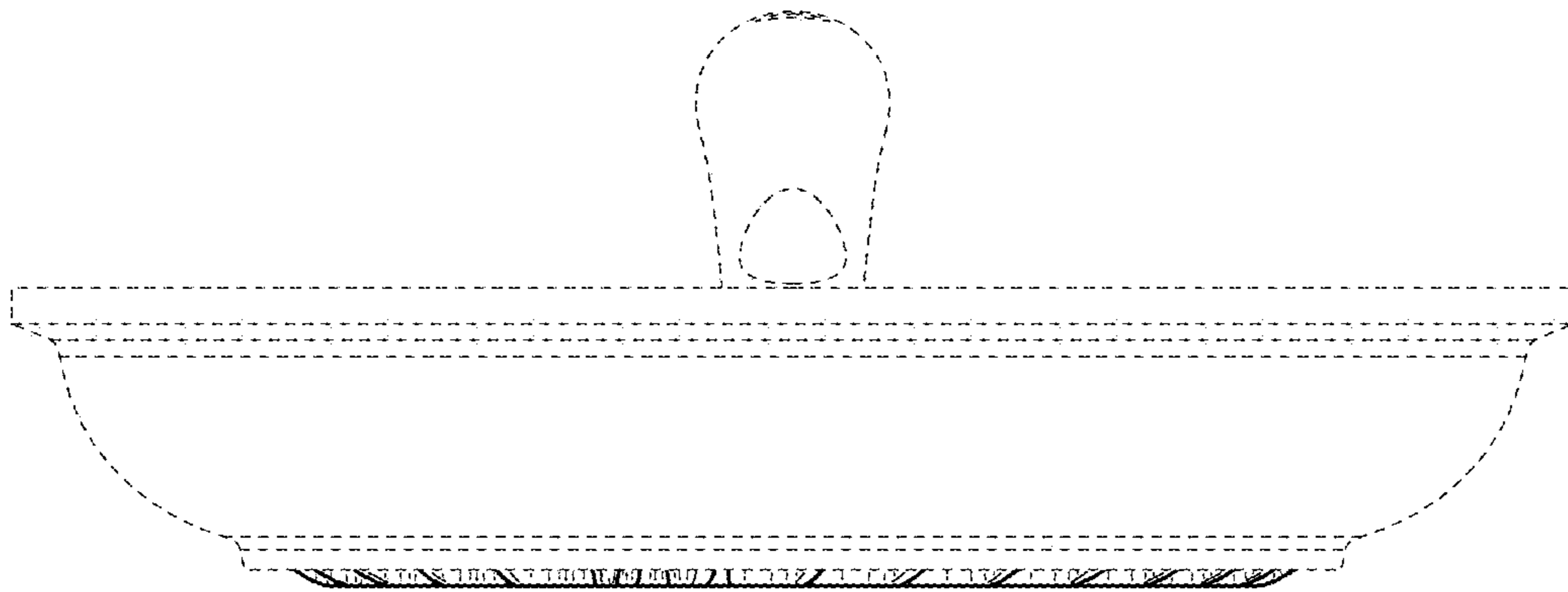


FIG. 22

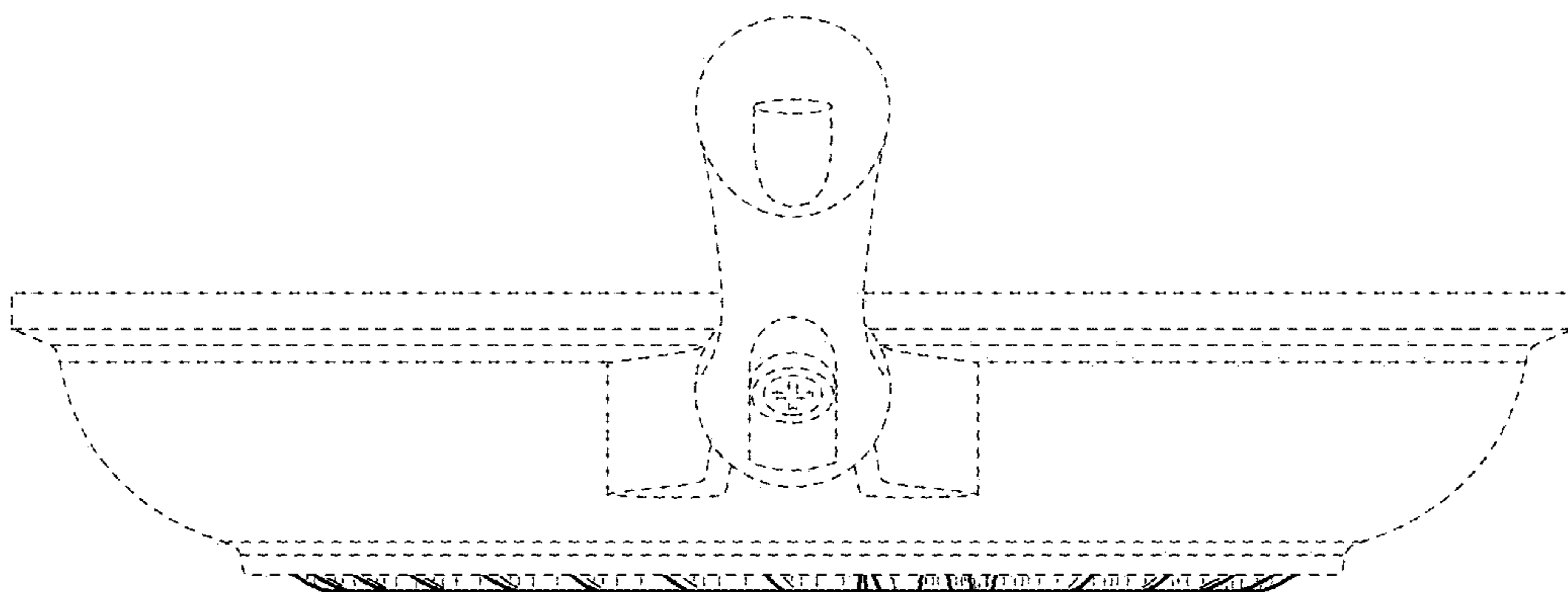


FIG. 23

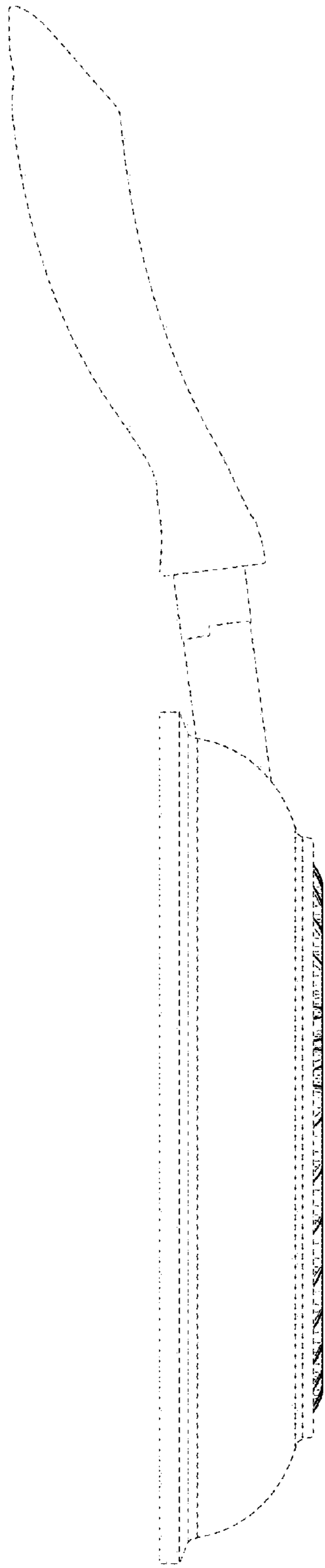


FIG. 24

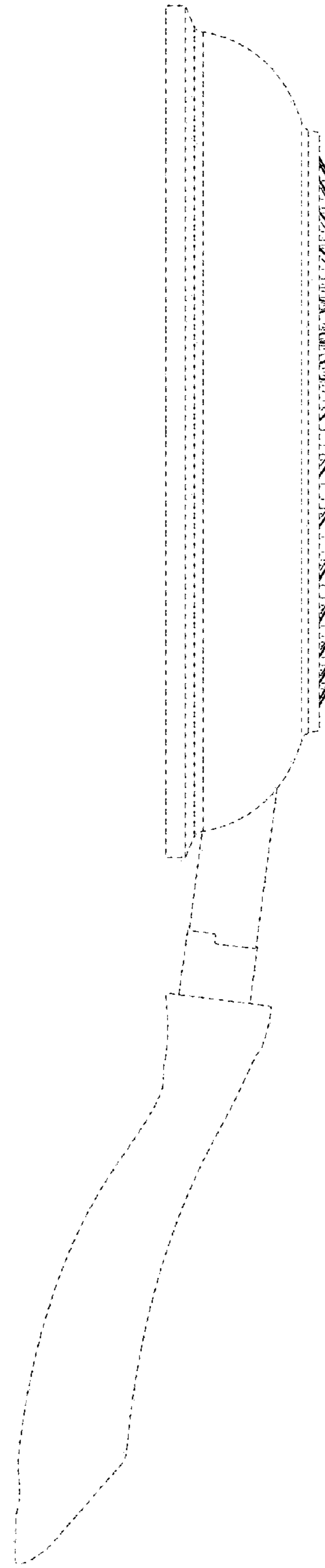


FIG. 25

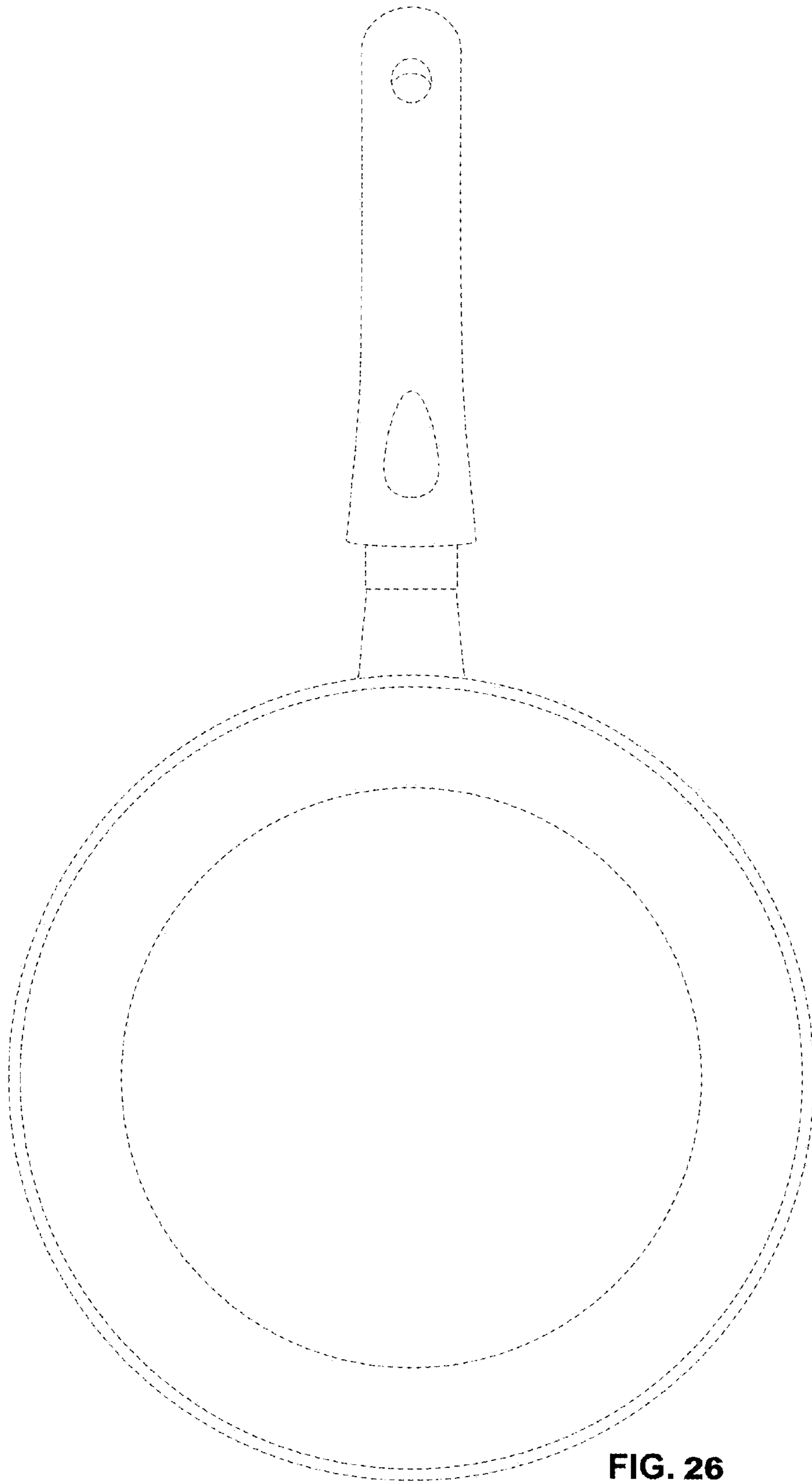


FIG. 26

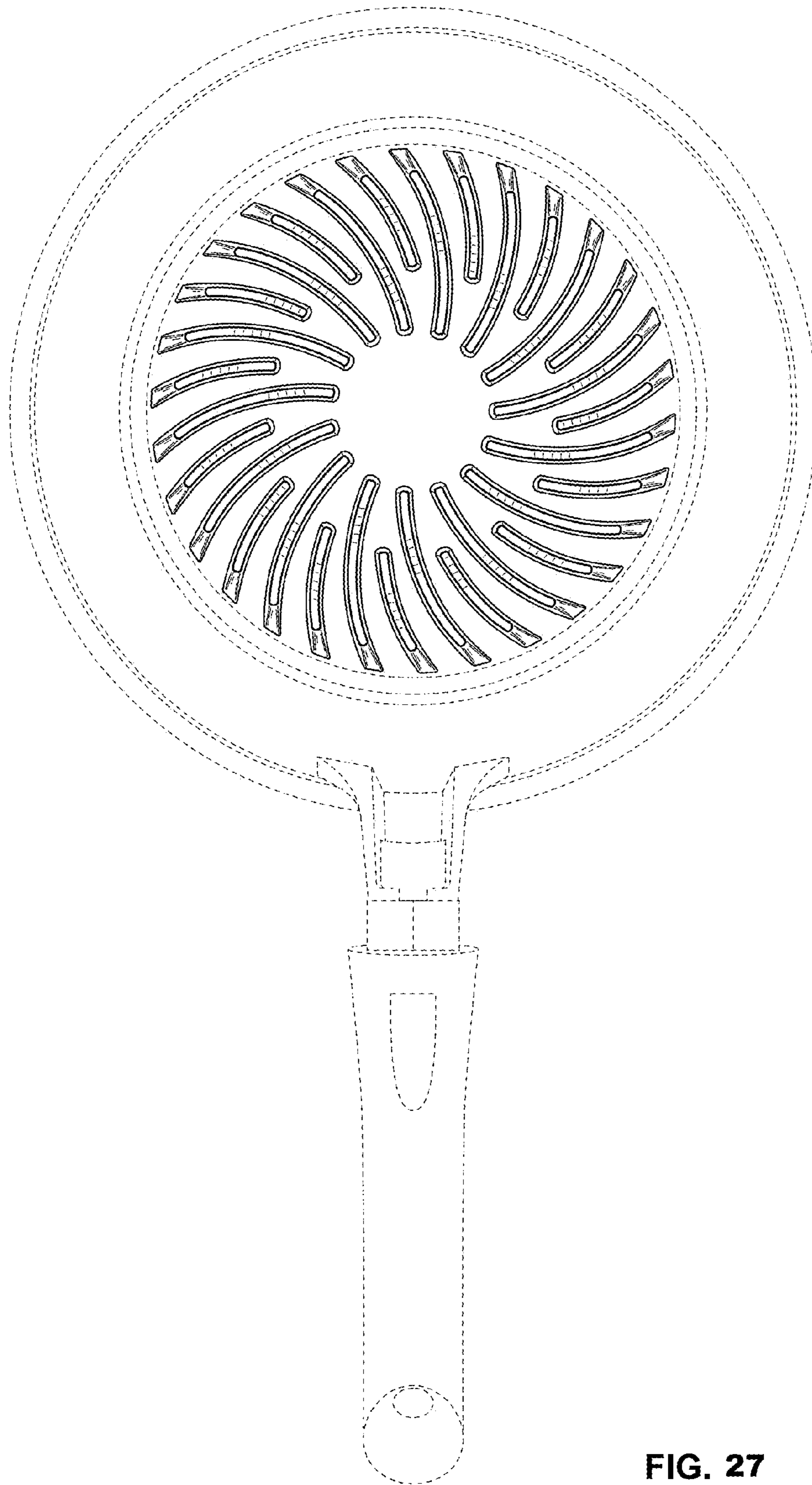


FIG. 27