



US00D735519S

(12) **United States Design Patent**
Benoit

(10) **Patent No.:** **US D735,519 S**

(45) **Date of Patent:** **** Aug. 4, 2015**

(54) **COOKER**

(71) Applicant: **Whirlpool Corporation**, Benton Harbor, MI (US)

(72) Inventor: **Kaitlyn M. Benoit**, St. Joseph, MI (US)

(73) Assignee: **Whirlpool Corporation**, Benton Harbor, MI (US)

(**) Term: **14 Years**

(21) Appl. No.: **29/484,956**

(22) Filed: **Mar. 14, 2014**

(51) **LOC (10) Cl.** **07-02**

(52) **U.S. Cl.**
USPC **D7/354; D7/360**

(58) **Field of Classification Search**

USPC D7/323, 354-361; 99/324-325, 99/330-339, 403; 126/348, 384.1, 389.1, 126/390.1; 219/401, 432, 438, 440-441, 219/447.1, 620-622; 220/573.1-573.5, 912
CPC A47J 27/00; A47J 27/04; A47J 27/004; A47J 27/05; A47J 27/08; A47J 27/09; A47J 27/092; A47J 36/025; A47J 36/06; A47J 36/08; A47J 36/10; A47J 36/12; A47J 37/12; A47J 37/1204; A47J 37/1209; H05B 6/02; H05B 6/06; H05B 6/12
See application file for complete search history.

(56) **References Cited**

U.S. PATENT DOCUMENTS

D172,552 S * 7/1954 Perl et al. D7/360

D416,434 S *	11/1999	Pollnow	D7/360
D450,528 S *	11/2001	Rossmann	D7/360
D556,504 S *	12/2007	Averty	D7/360
D635,818 S *	4/2011	Tse	D7/357
D642,422 S *	8/2011	Averty	D7/358
D657,993 S *	4/2012	Pantaleo	D7/357
D667,680 S *	9/2012	Bock	D7/354
D697,363 S *	1/2014	Tu	D7/357
D698,595 S *	2/2014	Kunz	D7/357
D701,416 S *	3/2014	Day et al.	D7/357
2004/0079747 A1 *	4/2004	Wang	219/438
2008/0083730 A1 *	4/2008	Dolgov et al.	219/432

* cited by examiner

Primary Examiner — Ricky Pham

(57) **CLAIM**

I claim the ornamental design for a cooker, as shown and described.

DESCRIPTION

FIG. 1 is a front perspective view of a cooker of the present disclosure;

FIG. 2 is a rear perspective view of the cooker of FIG. 1;

FIG. 3 is a front elevational view of the cooker of FIG. 1;

FIG. 4 is a rear elevational view of the cooker of FIG. 1;

FIG. 5 is a first side elevational view of the cooker of FIG. 1;

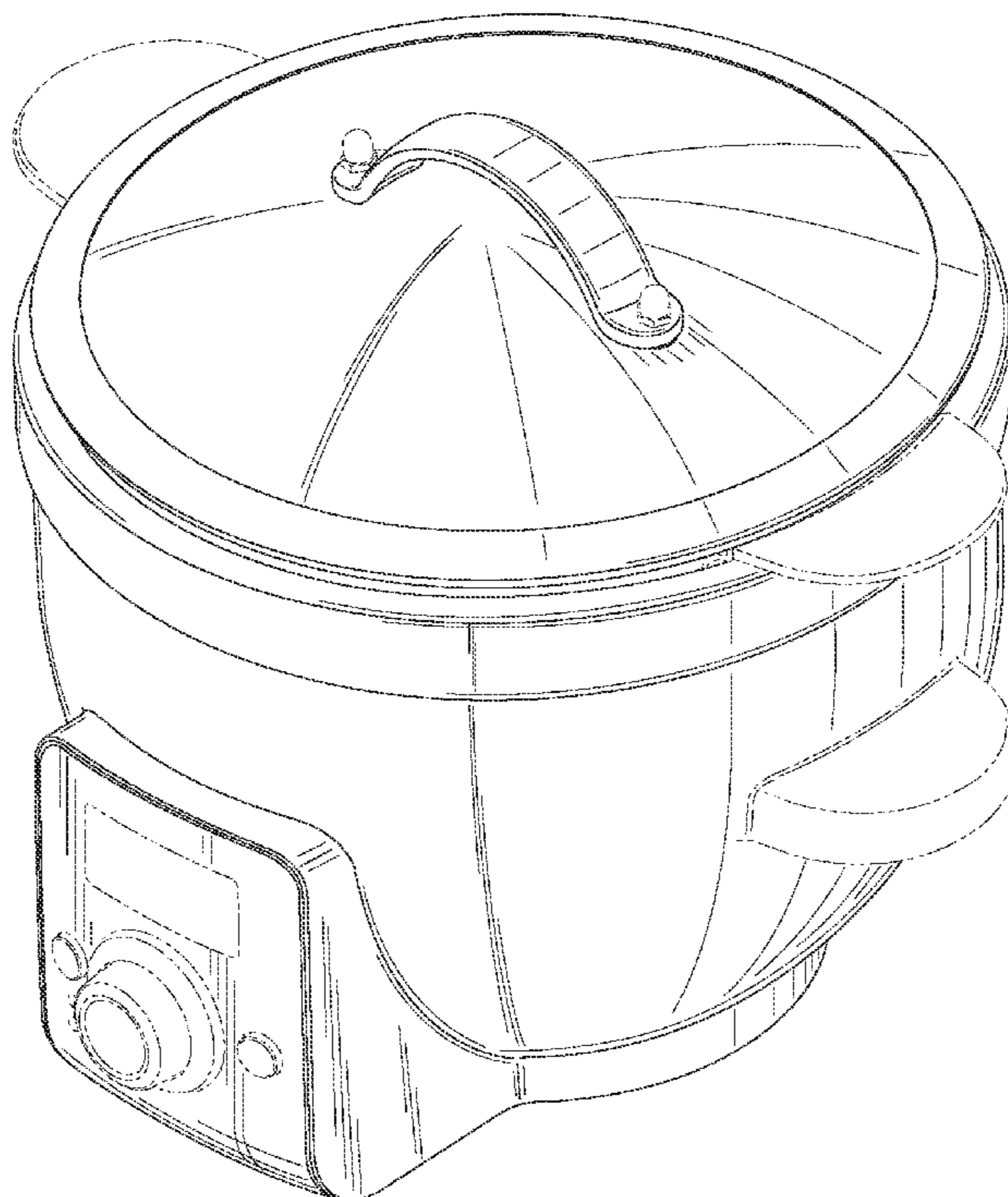
FIG. 6 is a second side elevational view of the cooker of FIG. 1;

FIG. 7 is a top plan view of the cooker of FIG. 1; and,

FIG. 8 is a bottom plan view of the cooker of FIG. 1.

The broken lines shown in the drawings are for illustrative purposes only and form no part of the claimed design.

1 Claim, 8 Drawing Sheets



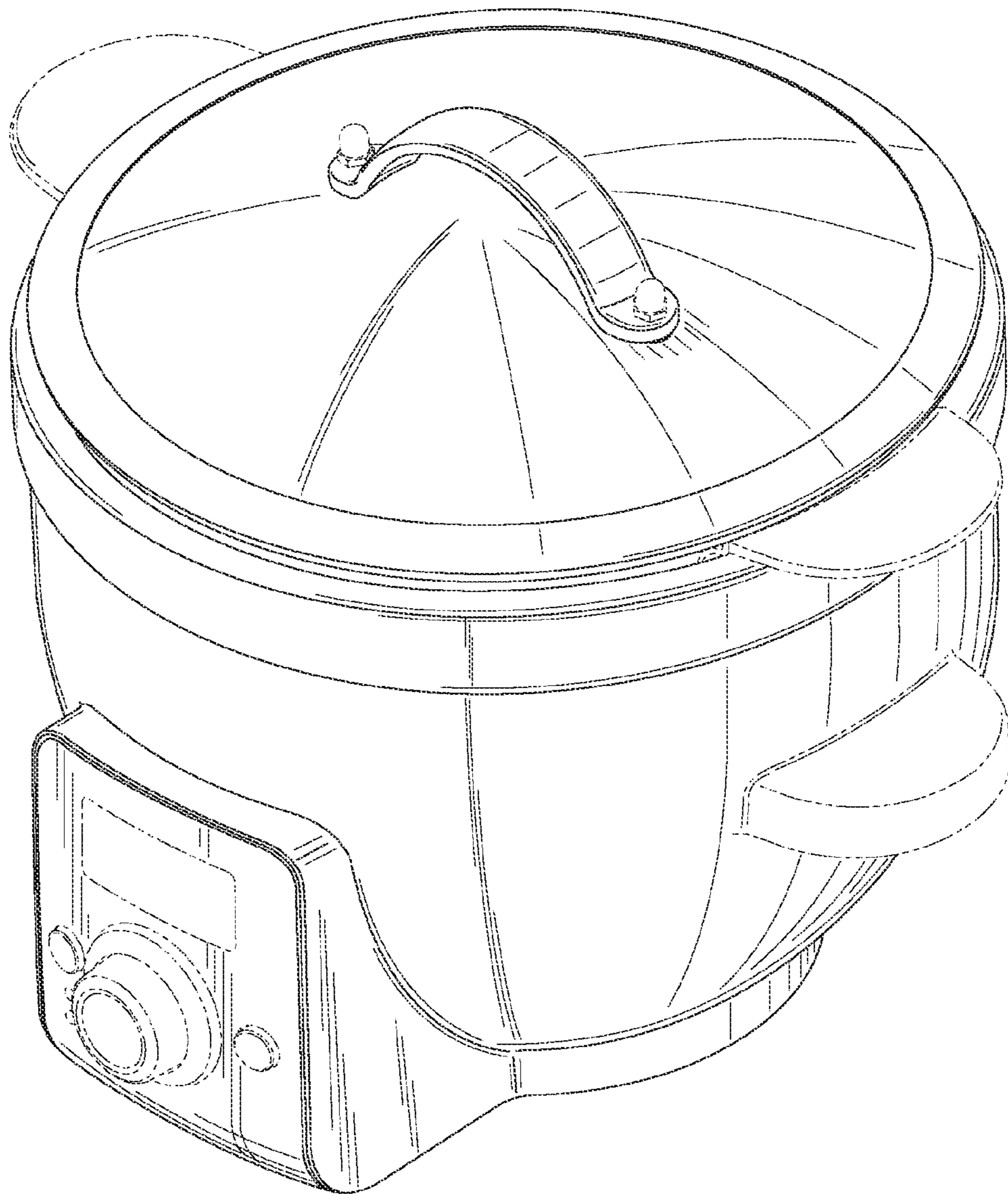


FIG. 1

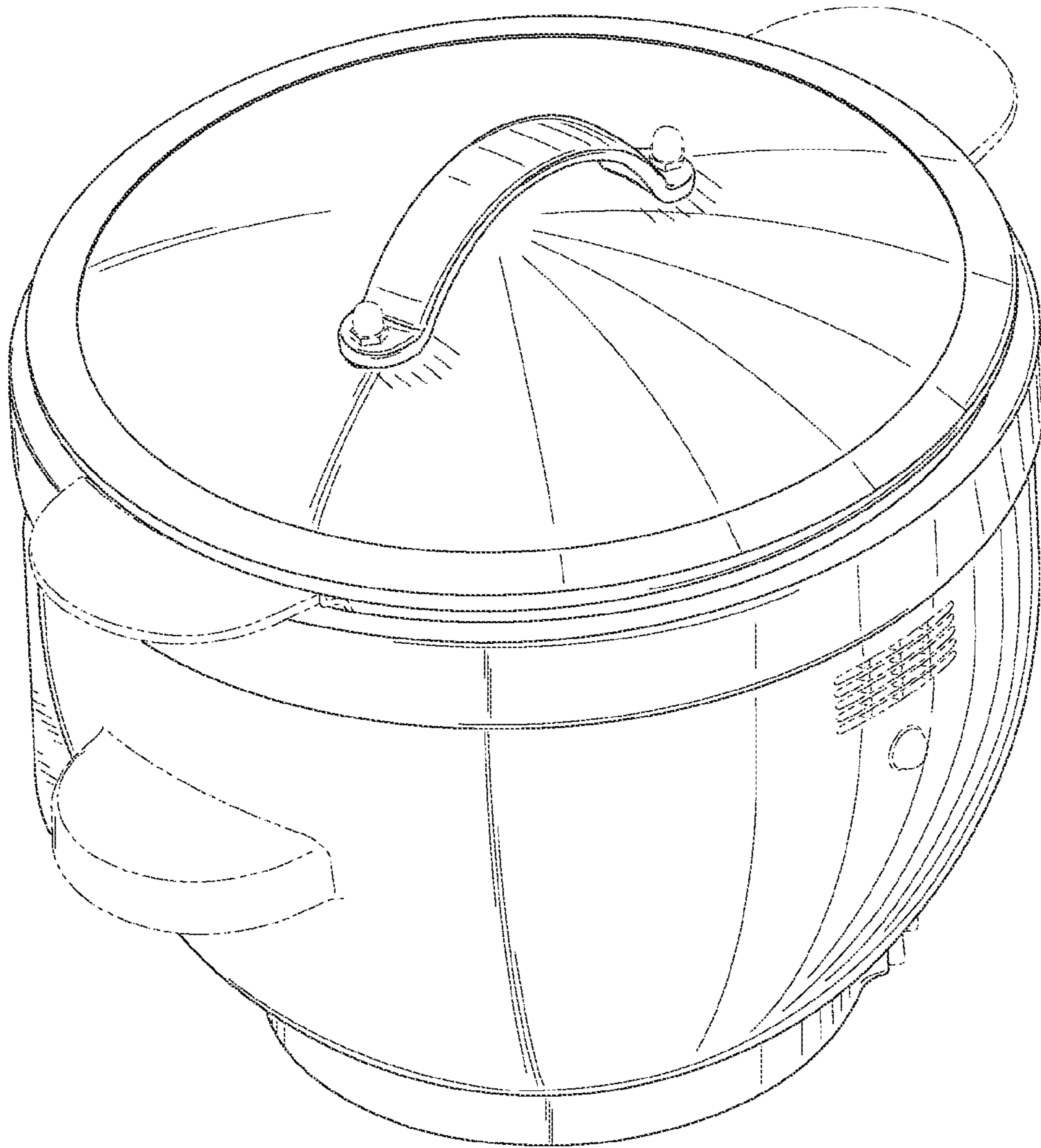


FIG. 2

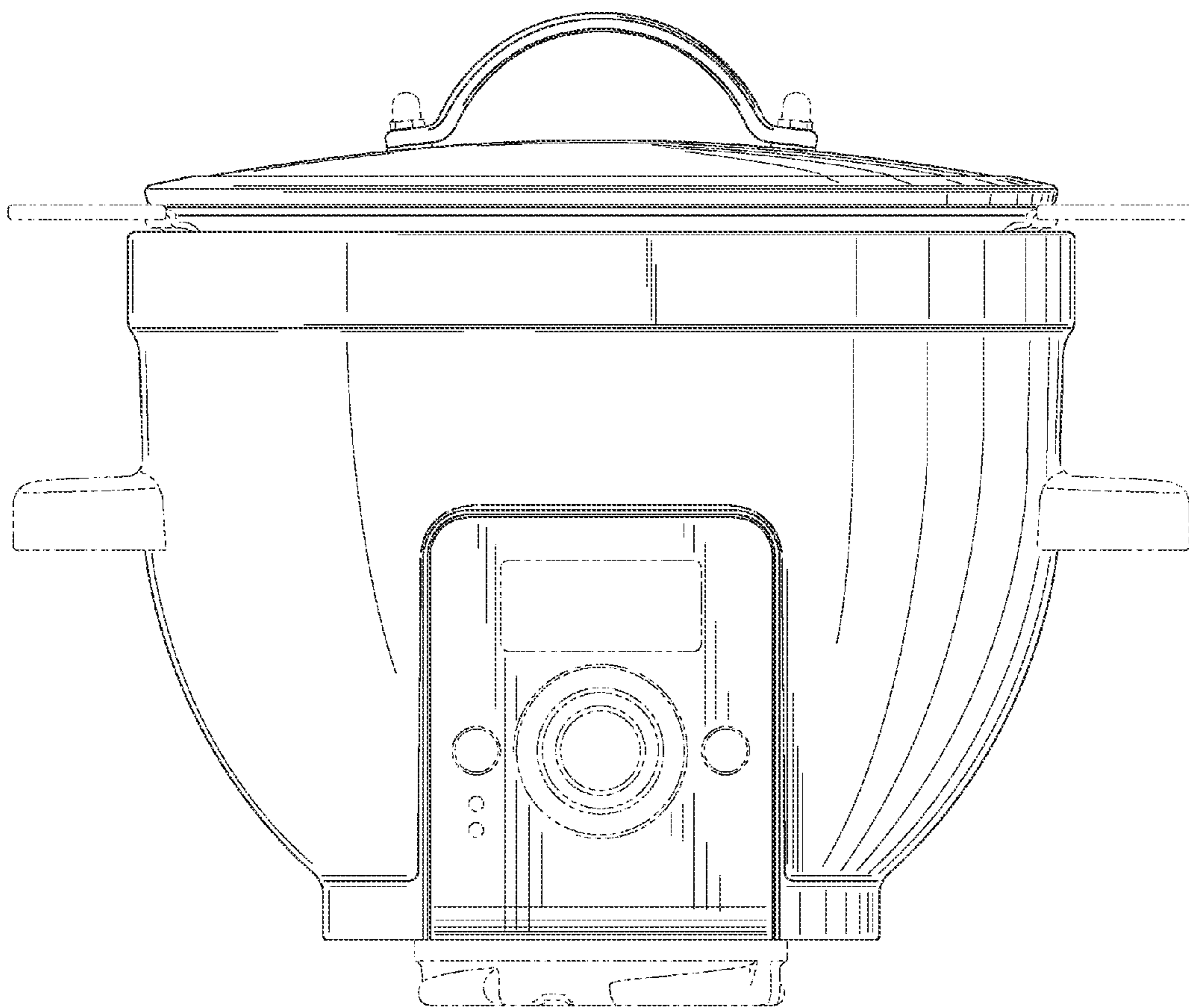


FIG. 3

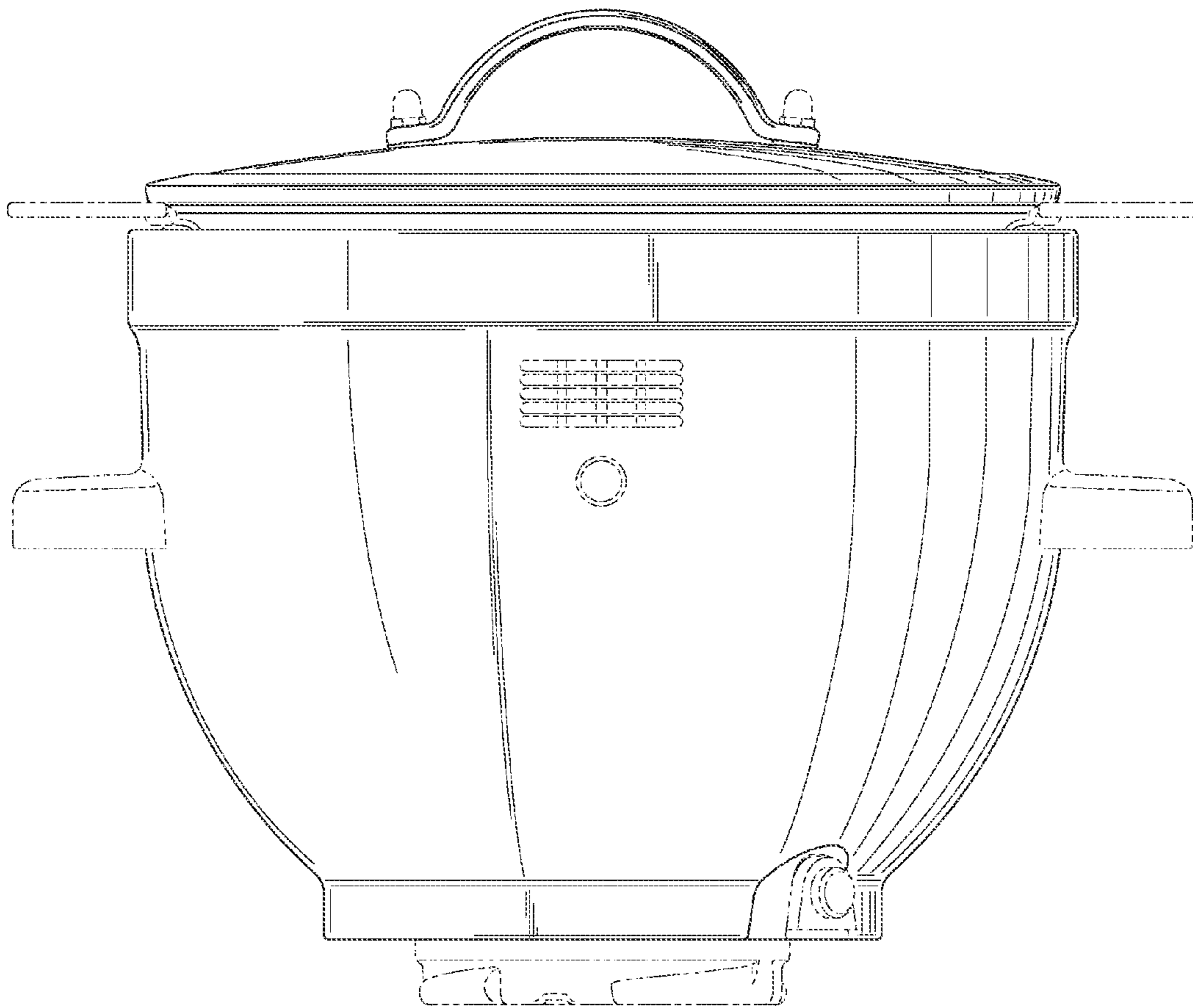


FIG. 4

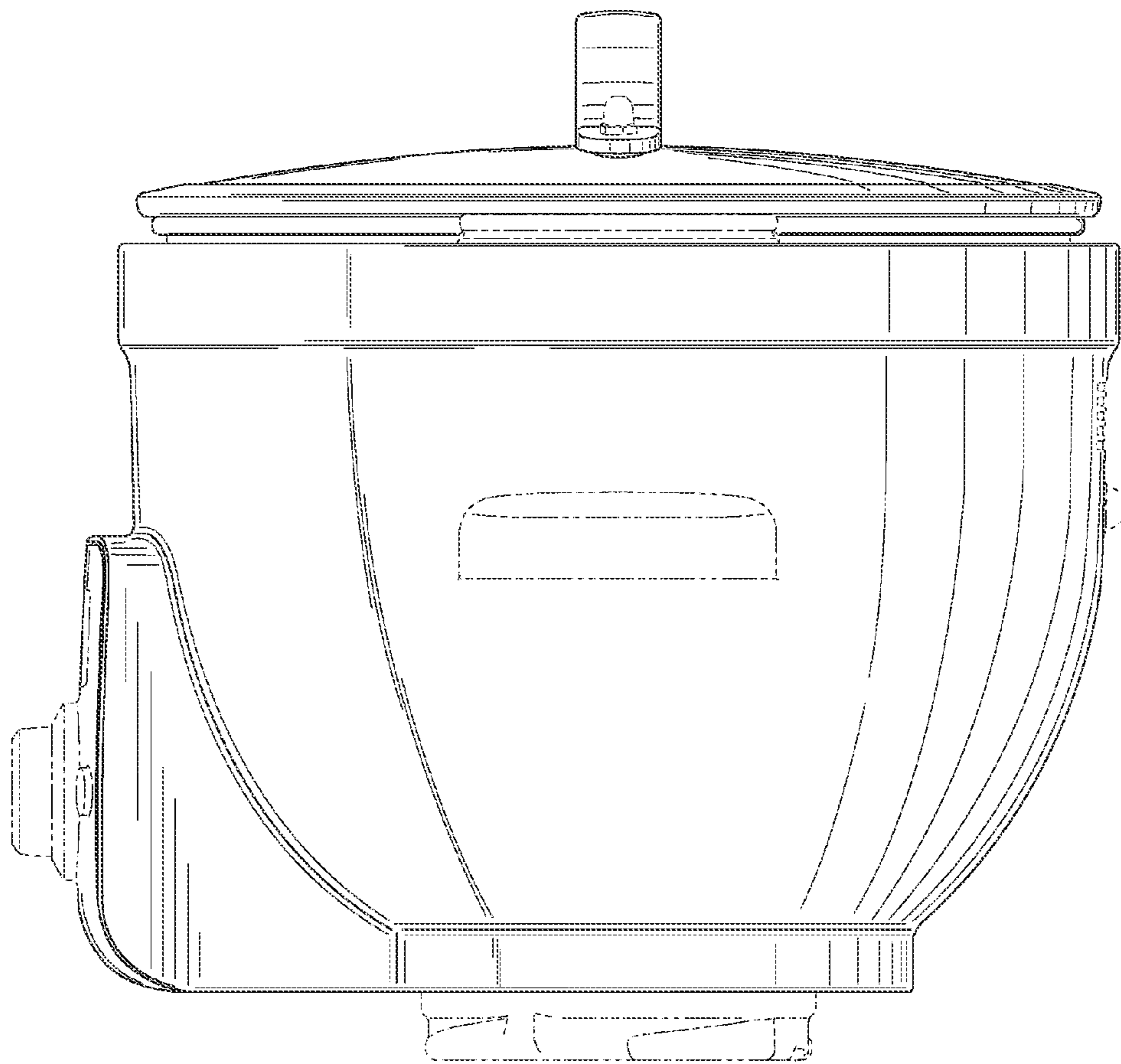


FIG. 5

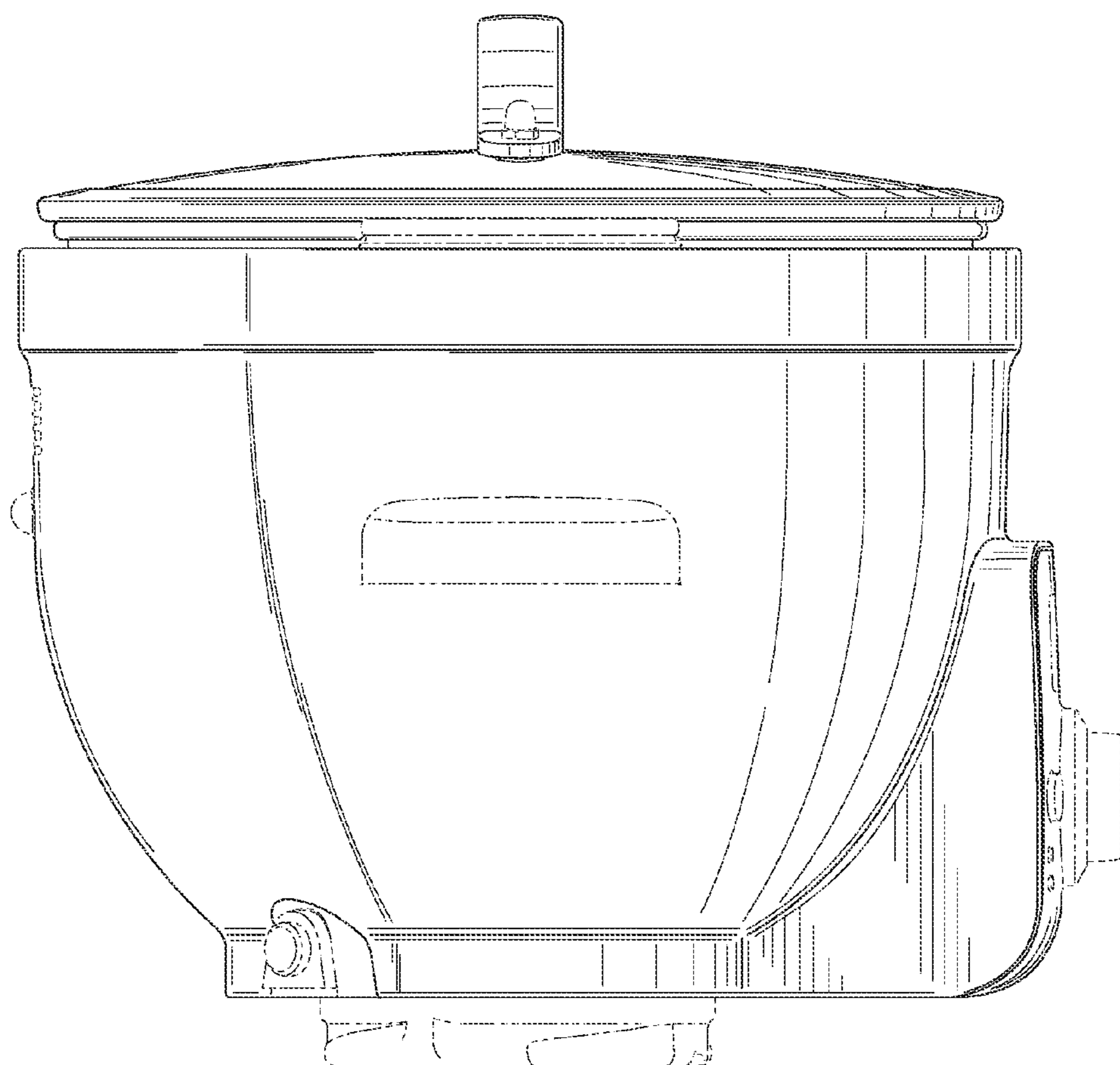


FIG. 6

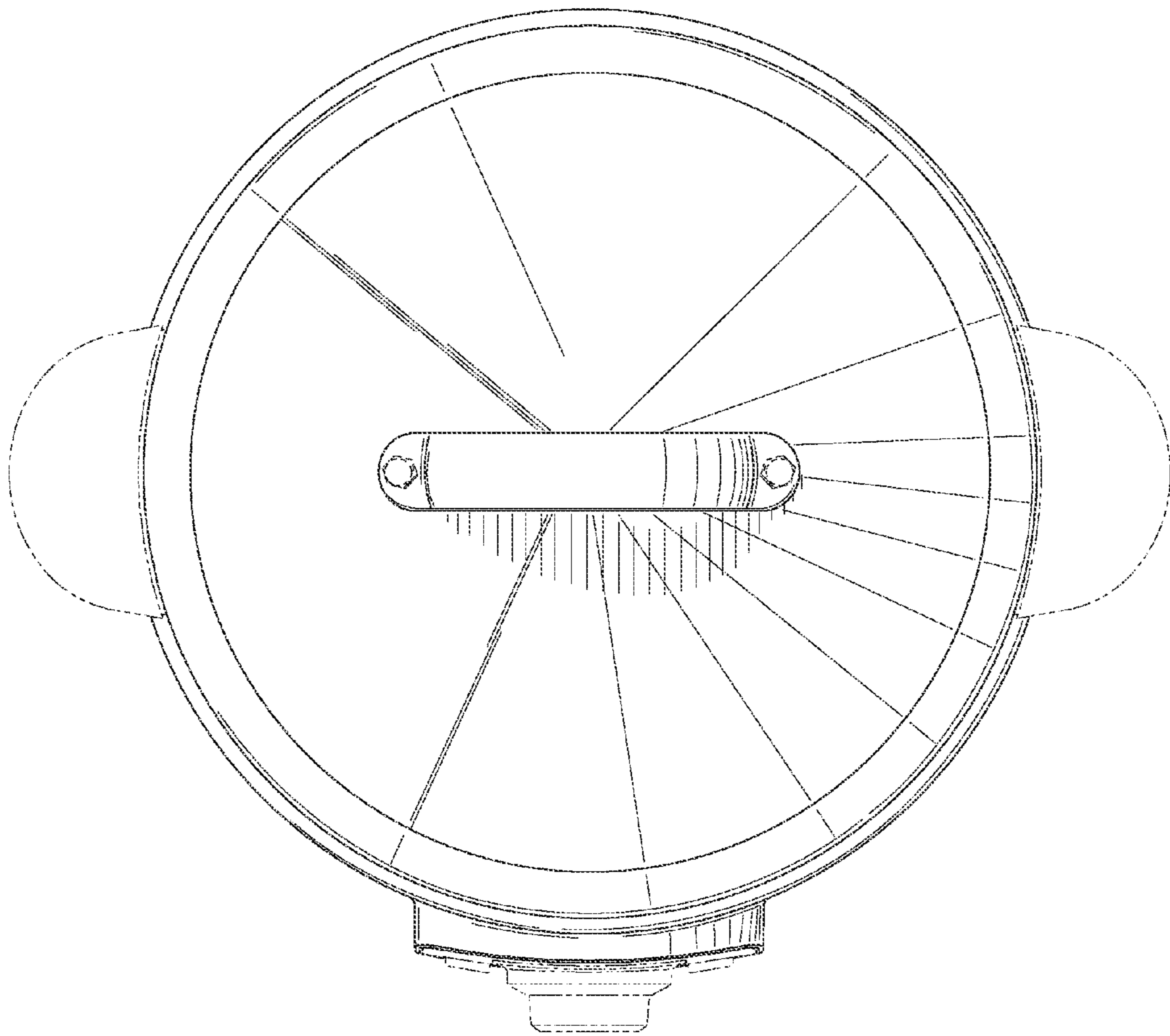


FIG. 7

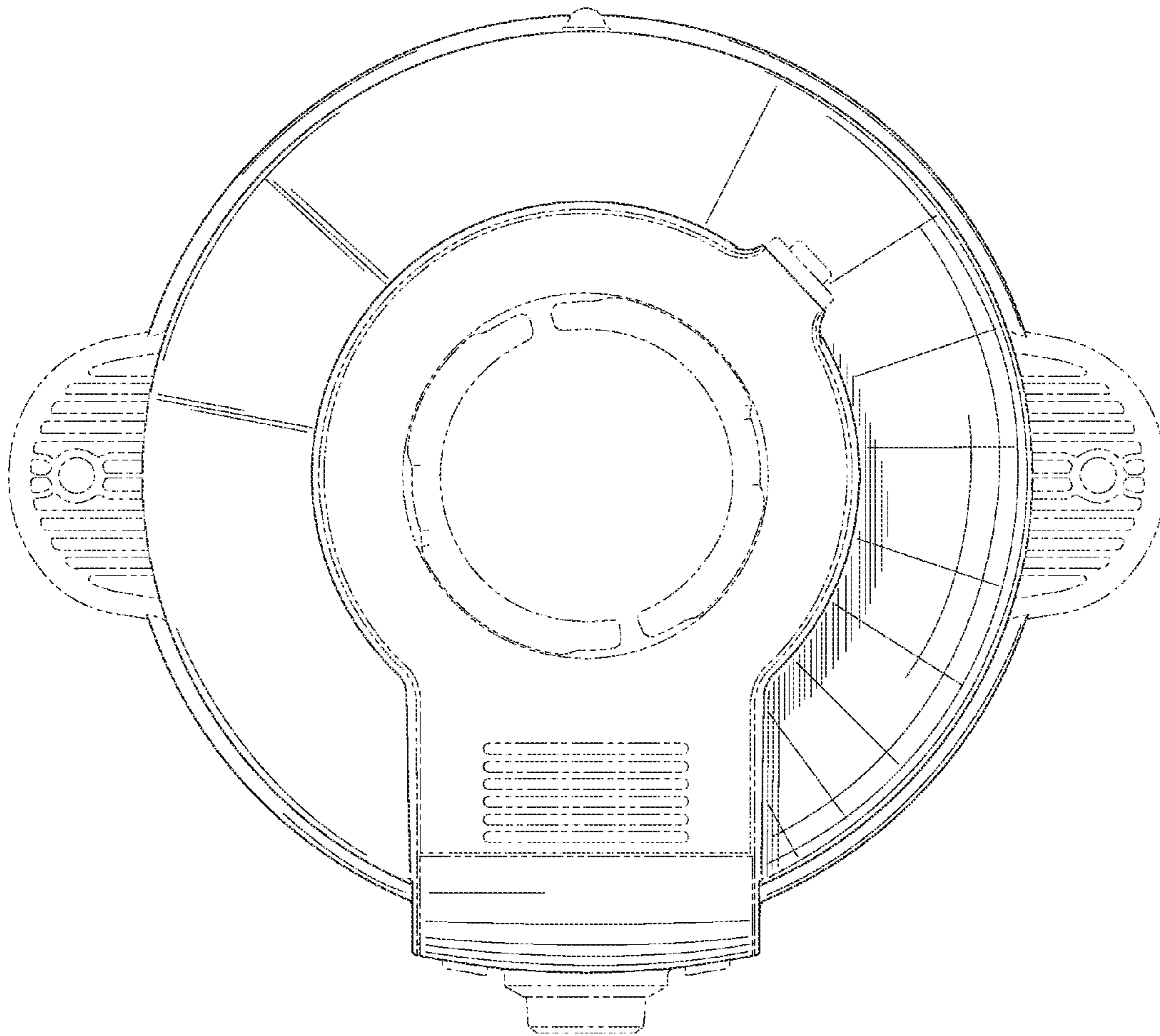


FIG. 8