



US00D735518S

(12) **United States Design Patent**
De'Longhi et al.

(10) **Patent No.:** **US D735,518 S**

(45) **Date of Patent:** **** Aug. 4, 2015**

(54) **COFFEE MAKER**

(71) Applicant: **De'Longhi Appliances S.R.L. Con Unico Socio**, Treviso (IT)

(72) Inventors: **Giuseppe De'Longhi**, Treviso (IT);
Marco Vaona, Mestre (IT)

(73) Assignee: **De'Longhi Appliances, S.R.L. Con Unico Socio**, Treviso (IT)

(**) Term: **14 Years**

(21) Appl. No.: **29/486,811**

(22) Filed: **Apr. 2, 2014**

(30) **Foreign Application Priority Data**

Oct. 17, 2013 (EM) 2328757-0003

(51) **LOC (10) Cl.** **07-01**

(52) **U.S. Cl.**
USPC **D7/309; D7/311**

(58) **Field of Classification Search**
USPC D7/309-311, 306-308, 300, 397, 305;
99/293, 323.1, 279, 289 R, 291;
D6/544; 222/105, 185.1
CPC B67D 3/00; A47J 31/00
See application file for complete search history.

(56) **References Cited**

U.S. PATENT DOCUMENTS

D481,580	S	*	11/2003	Daniels et al.	D7/309
D486,345	S	*	2/2004	Schwamkrug	D7/309
D523,279	S	*	6/2006	Zemp	D7/309
D584,096	S	*	1/2009	Lutz	D7/307
D586,604	S	*	2/2009	Buttler	D7/309
D587,511	S	*	3/2009	Buttler	D7/309
D595,991	S	*	7/2009	Zimmerman	D7/307

D610,389	S	*	2/2010	Borin et al.	D7/309
D642,415	S	*	8/2011	Novelli	D7/309
D645,289	S	*	9/2011	Lenzi	D7/309
D645,695	S	*	9/2011	Zoppellari	D7/309
D646,109	S	*	10/2011	Zoppellari	D7/309
D646,518	S	*	10/2011	De' Longhi	D7/309
D648,972	S	*	11/2011	Buttler	D7/309
D648,973	S	*	11/2011	De' Longhi	D7/309
D663,566	S	*	7/2012	Feder	D7/309
D665,218	S	*	8/2012	Iseli	D7/309
D670,131	S	*	11/2012	Feder	D7/309
D672,999	S	*	12/2012	De' Longhi	D7/309
D675,054	S	*	1/2013	Agostini et al.	D7/309
D701,071	S	*	3/2014	Buttler	D7/306
D717,091	S	*	11/2014	Suzuki et al.	D7/309
D717,911	S	*	11/2014	Moon et al.	D23/207
D718,413	S	*	11/2014	Choi	D23/207
D719,391	S	*	12/2014	De Pra	D7/309
D719,392	S	*	12/2014	De Pra	D7/309
D719,393	S	*	12/2014	De Pra	D7/309
2011/0126718	A1	*	6/2011	Meuer	99/323.1
2011/0222561	A1	*	9/2011	Alley et al.	370/503

* cited by examiner

Primary Examiner — Marianne Pandozzi

(74) *Attorney, Agent, or Firm* — Flaster/Greenberg P.C.

(57) **CLAIM**

The ornamental design for a coffee maker, as shown and described.

DESCRIPTION

FIG. 1 is a perspective view of a coffee maker;
FIG. 2 is a front view of the coffee maker of FIG. 1;
FIG. 3 is a back view of the coffee maker of FIG. 1;
FIG. 4 is a right side view of the coffee maker of FIG. 1;
FIG. 5 is a left side view of the coffee maker of FIG. 1;
FIG. 6 is a top plan view of the coffee maker of FIG. 1; and,
FIG. 7 is a bottom, plan view of the coffee maker of FIG. 1.

1 Claim, 7 Drawing Sheets

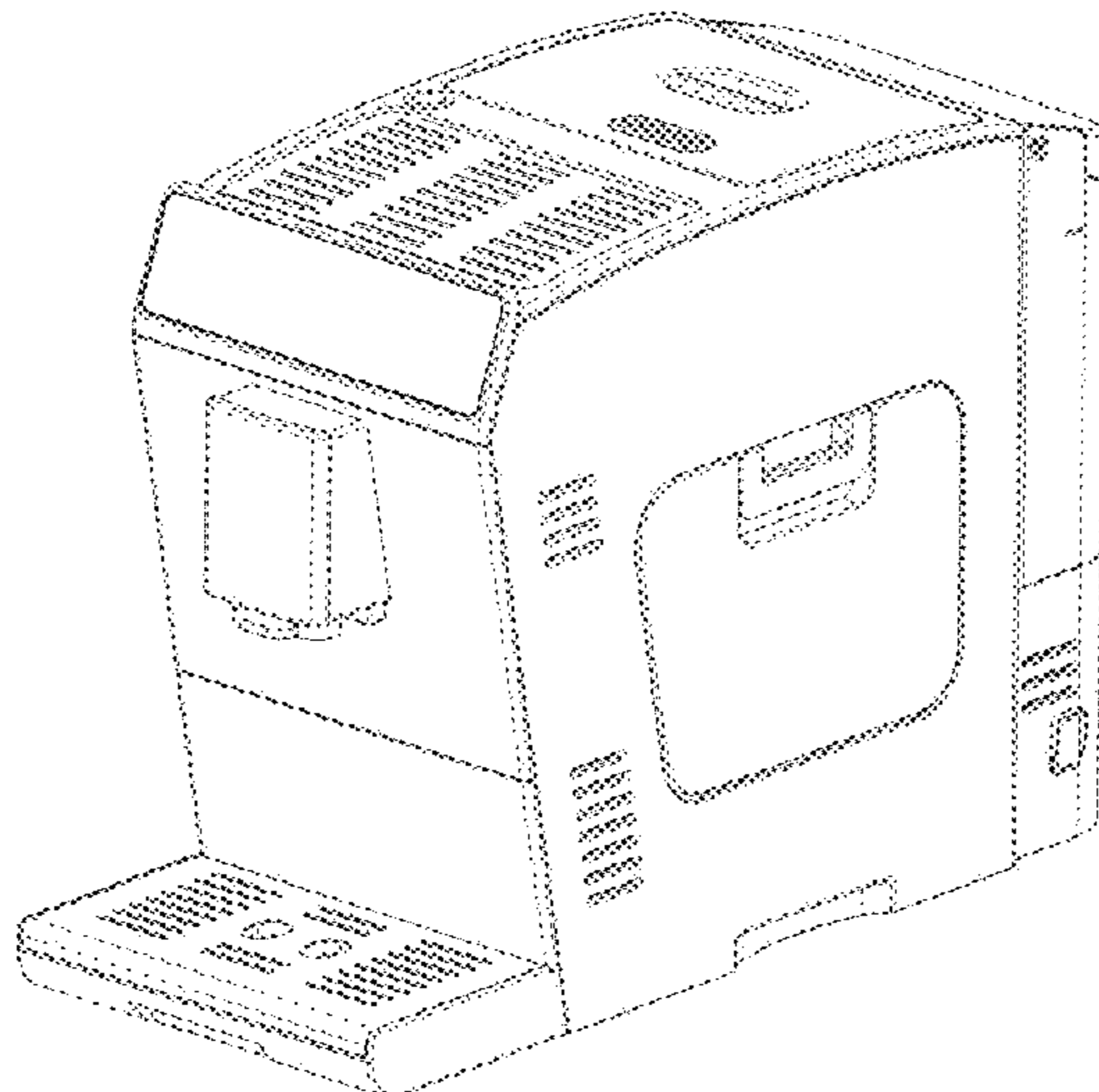


FIG. 1

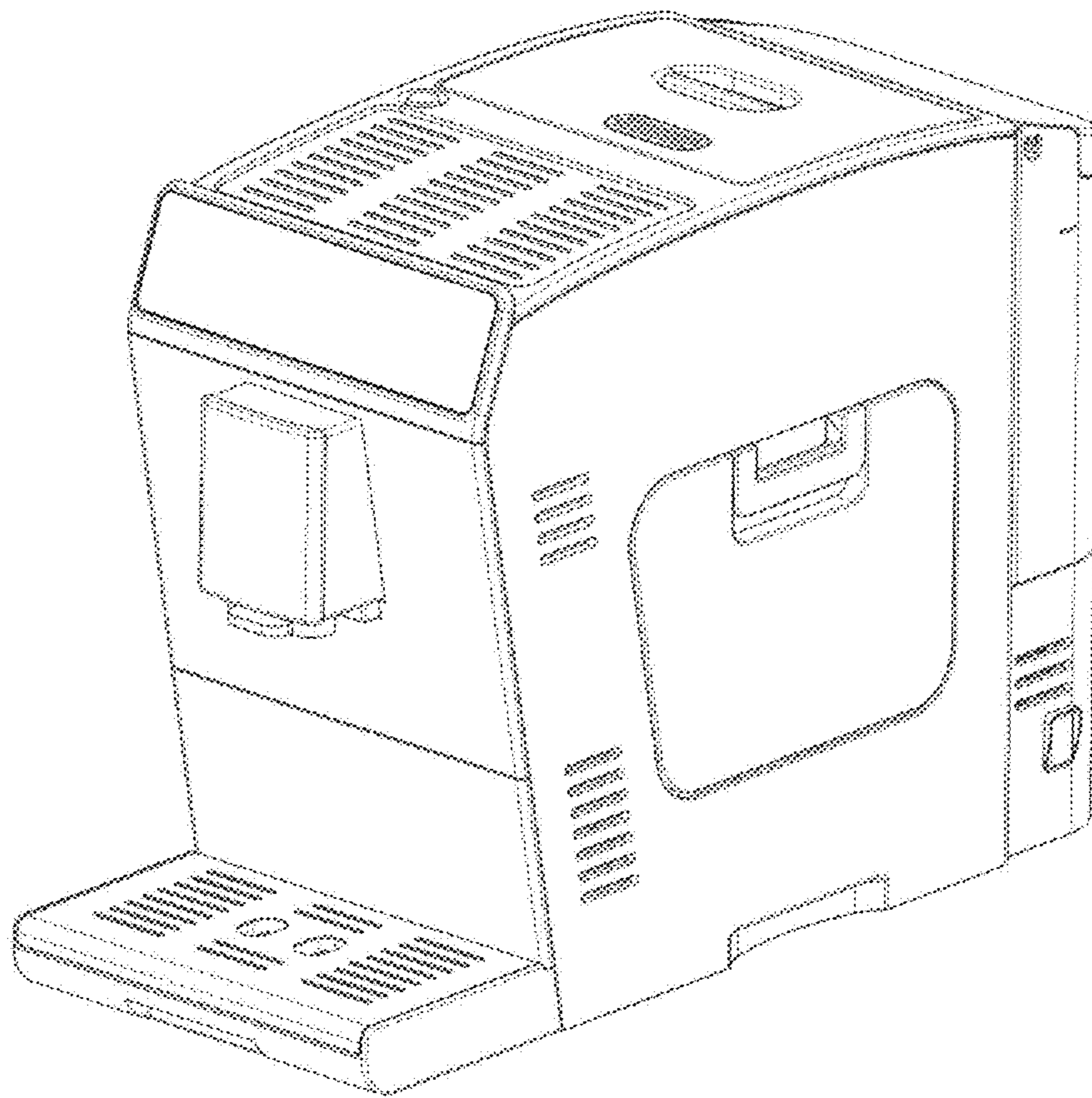


FIG. 2

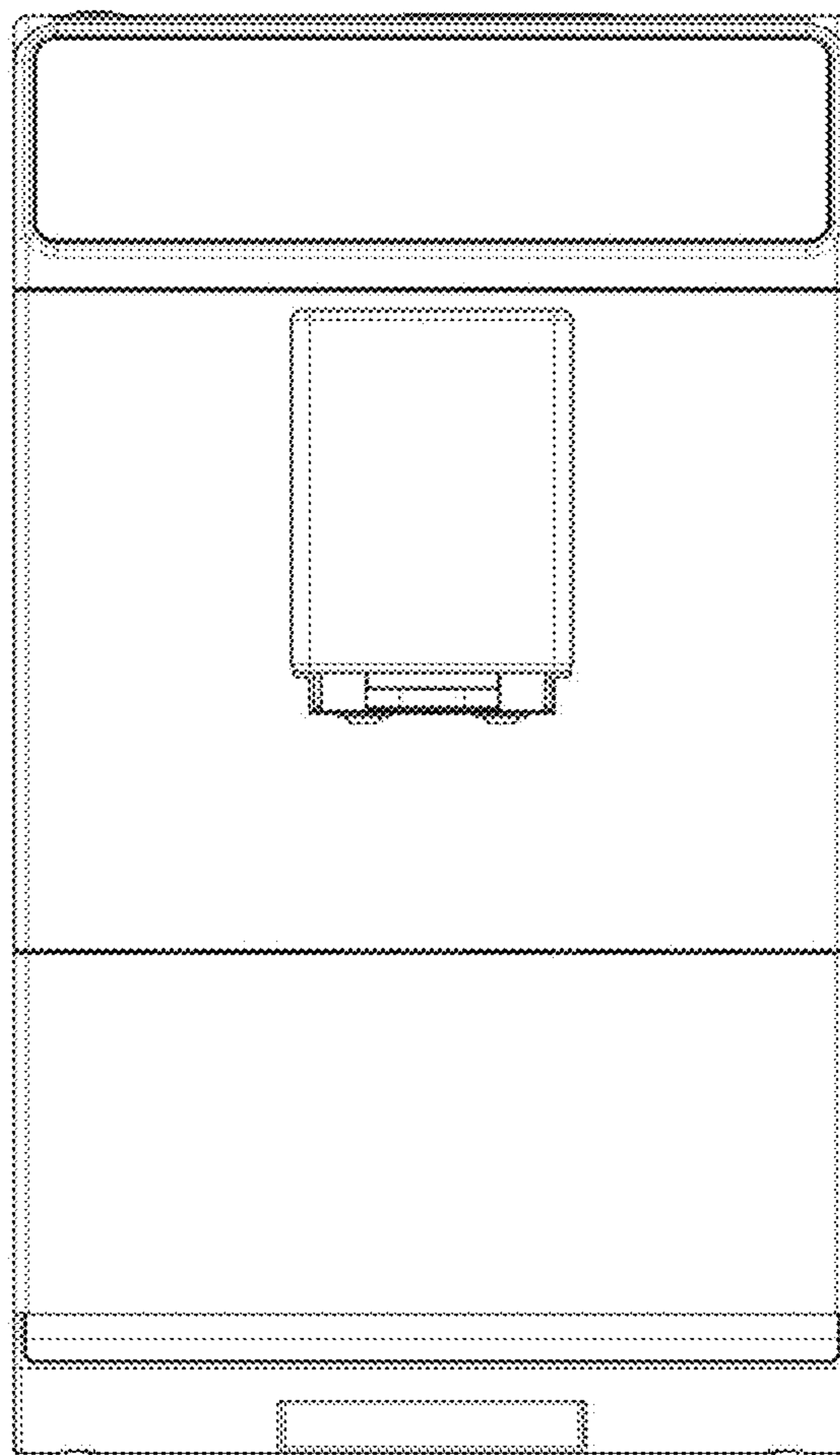


FIG. 3

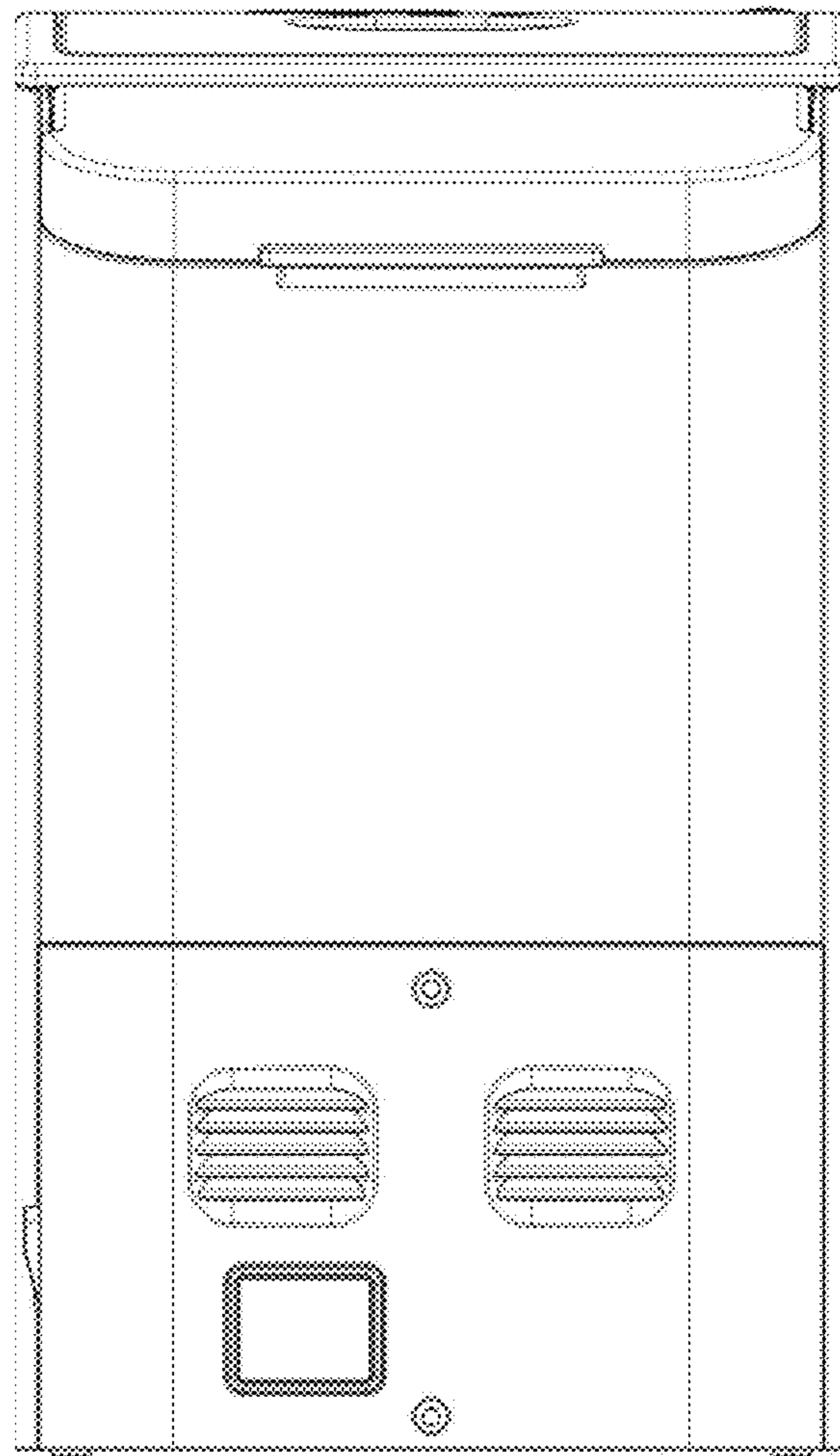


FIG. 4

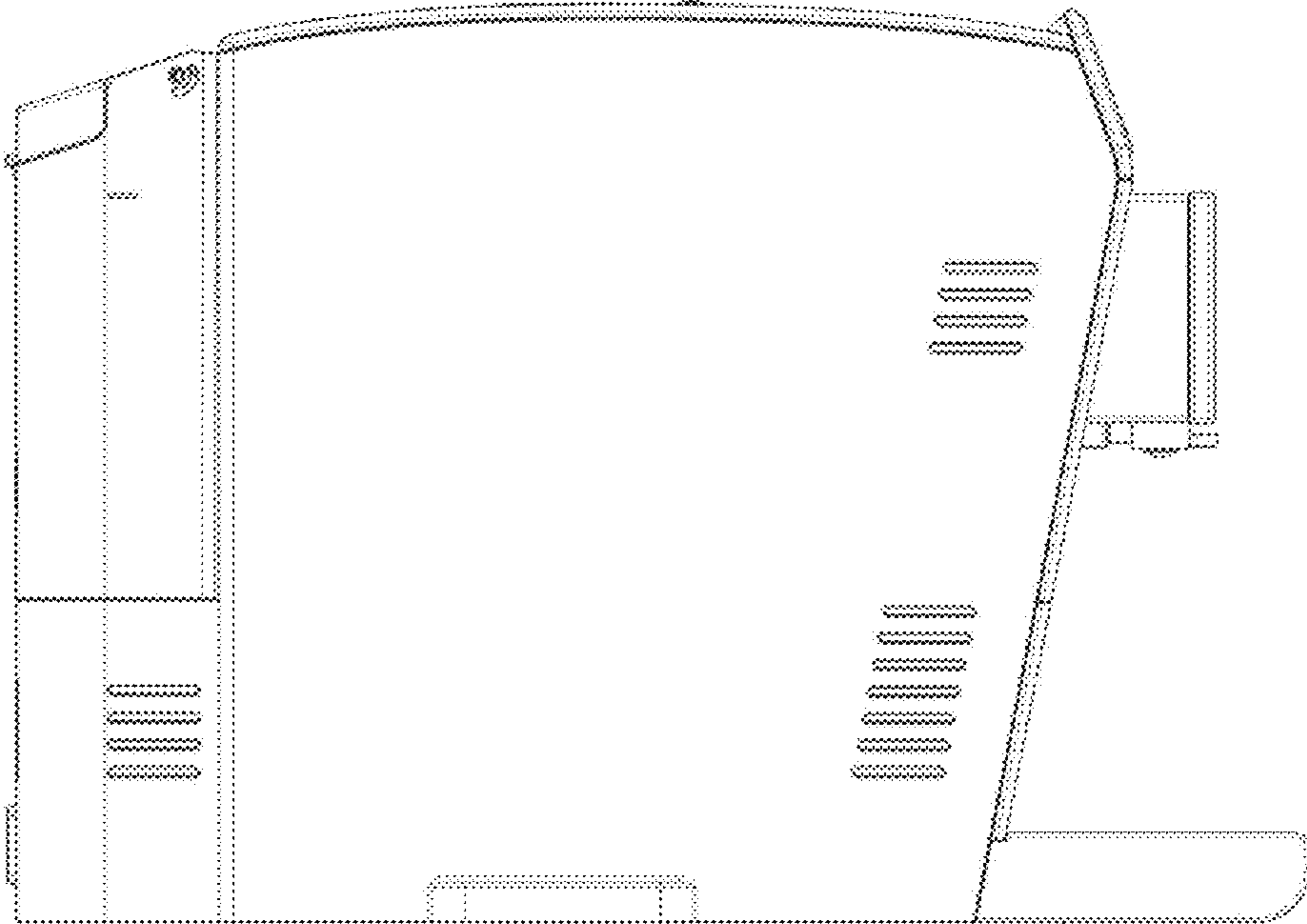


FIG. 5

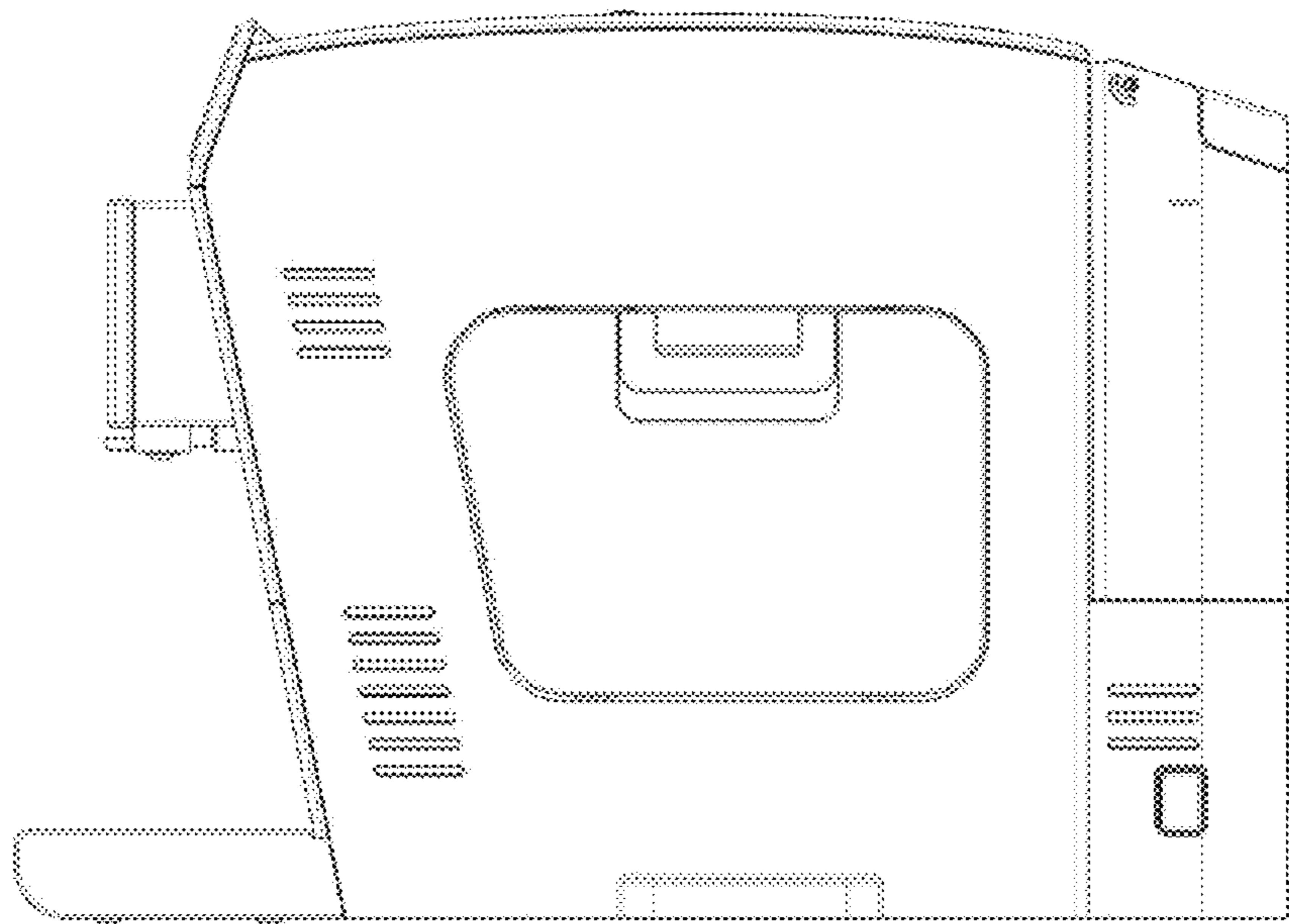


FIG. 6

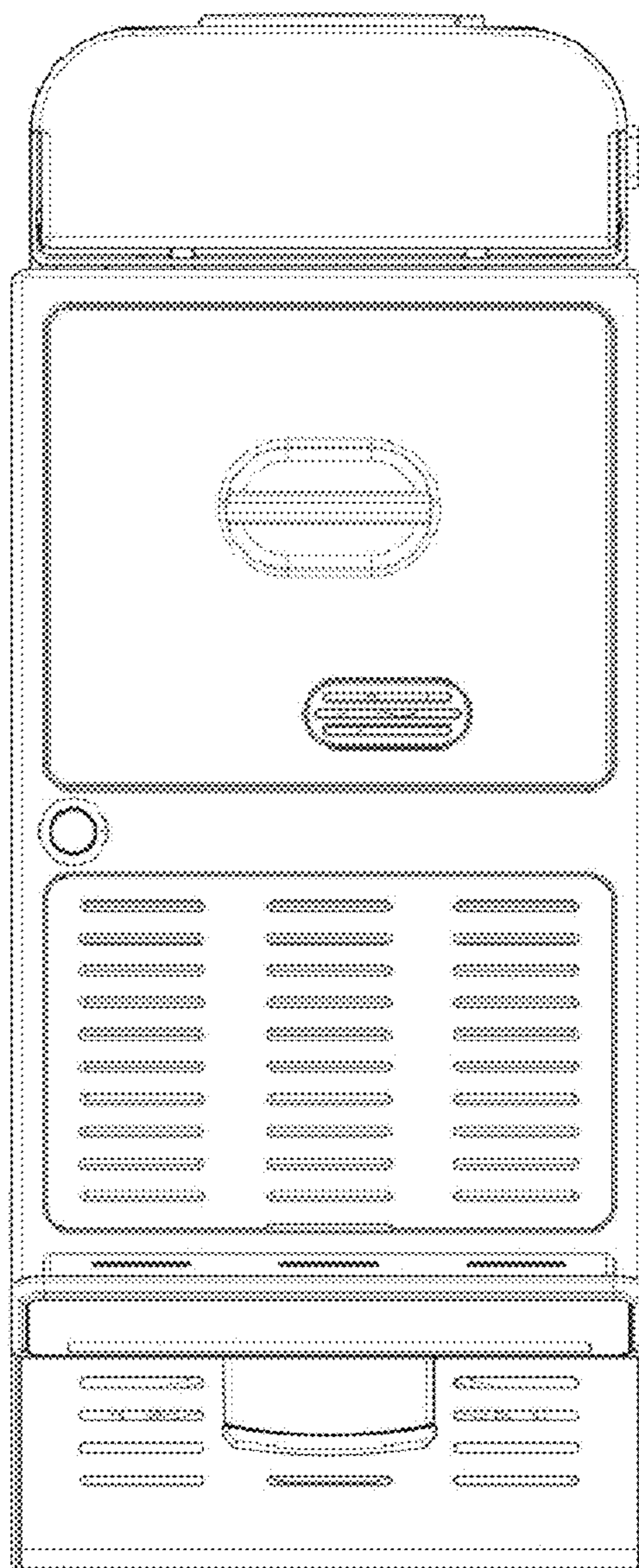


FIG. 7

