

US00D735512S

(12) **United States Design Patent**
Chan

(10) **Patent No.:** **US D735,512 S**
(45) **Date of Patent:** **** Aug. 4, 2015**

(54) **CHAIR BACKREST**

(71) Applicant: **ITOKI CORPORATION**, Osaka-shi,
Osaka (JP)

(72) Inventor: **Eric Chan**, New York, NY (US)

(73) Assignee: **ITOKI CORPORATION**, Osaka-shi,
Osaka (JP)

(**) Term: **14 Years**

(21) Appl. No.: **29/492,274**

(22) Filed: **May 29, 2014**

Related U.S. Application Data

(62) Division of application No. 29/457,138, filed on Jun. 7,
2013, now Pat. No. Des. 715,068.

(51) **LOC (10) Cl.** **06-01**

(52) **U.S. Cl.**
USPC **D6/716.1**

(58) **Field of Classification Search**
USPC D6/334-336, 360-381, 716,
D6/716.1-716.4; 297/284.4, 300.1, 300.2,
297/411.27, 452.13, 452.19, 452.21,
297/452.29, 452.3, 452.46, 452.56, 452.64
CPC A47C 1/02; A47C 1/03; A47C 1/03255;
A47C 1/024; A47C 3/025; A47C 3/026;
A47C 7/02; A47C 7/022; A47C 7/282;
A47C 7/40; A47C 7/402; A47C 7/44; A47C
7/46; A47C 7/54; B60N 2/64; B60N 2/66
See application file for complete search history.

(56) **References Cited**

U.S. PATENT DOCUMENTS

D449,174 S * 10/2001 Neil D6/366
D479,656 S * 9/2003 Ma D6/366
D486,657 S * 2/2004 Su D6/366
D487,359 S * 3/2004 Giugiaro D6/366
6,722,741 B2 * 4/2004 Stumpf et al. 297/452.3

D489,191 S * 5/2004 Ma D6/366
D493,626 S * 8/2004 James
D495,509 S * 9/2004 Breen D6/366
D514,831 S * 2/2006 Tsai D6/366
D514,832 S * 2/2006 Tsai
D538,055 S * 3/2007 Kang D6/366
D540,578 S * 4/2007 Chen D6/502
D558,995 S * 1/2008 Igarashi

(Continued)

Primary Examiner — Ricky Pham

(74) *Attorney, Agent, or Firm* — Drinker Biddle & Reath
LLP

(57) **CLAIM**

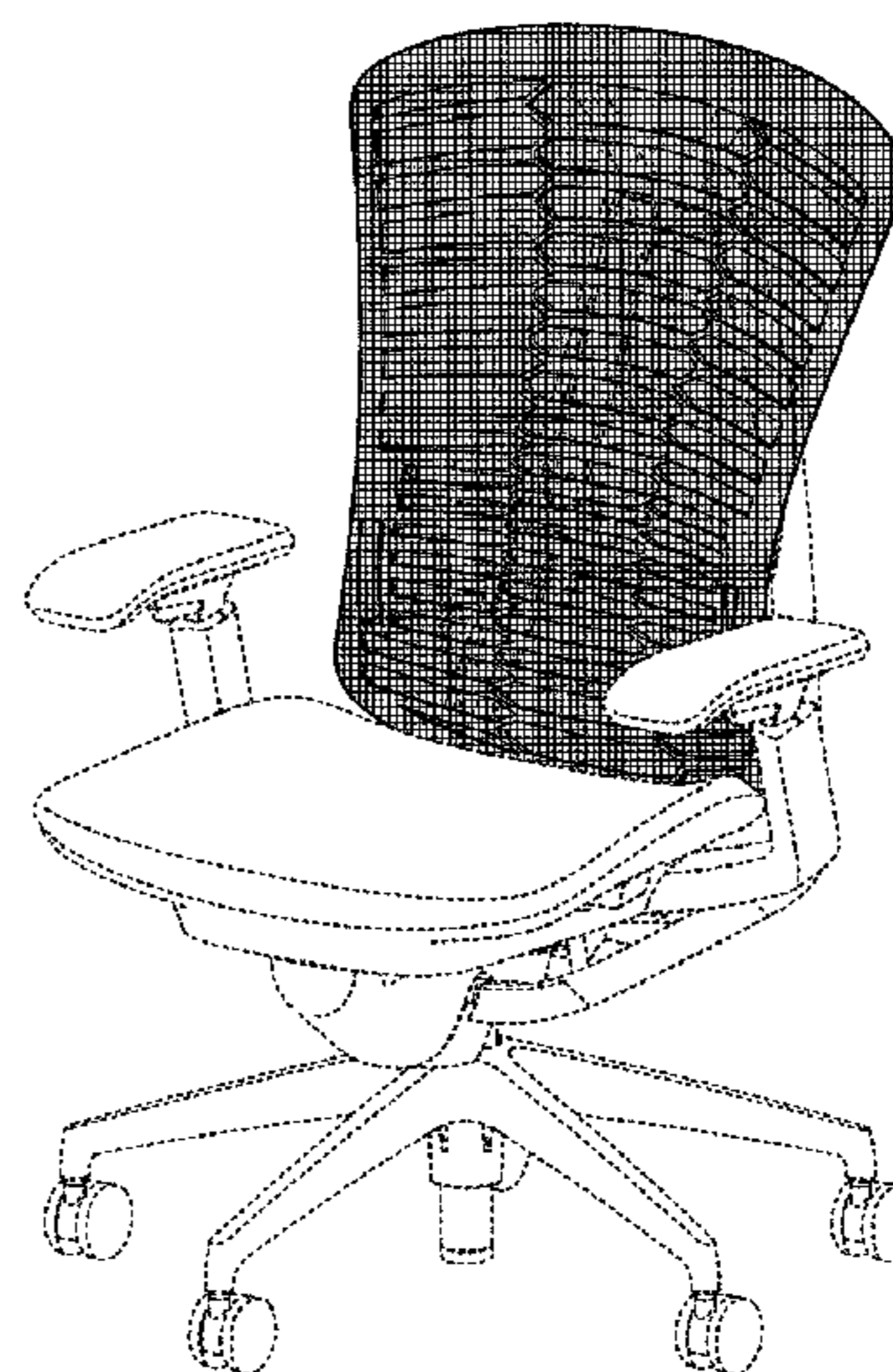
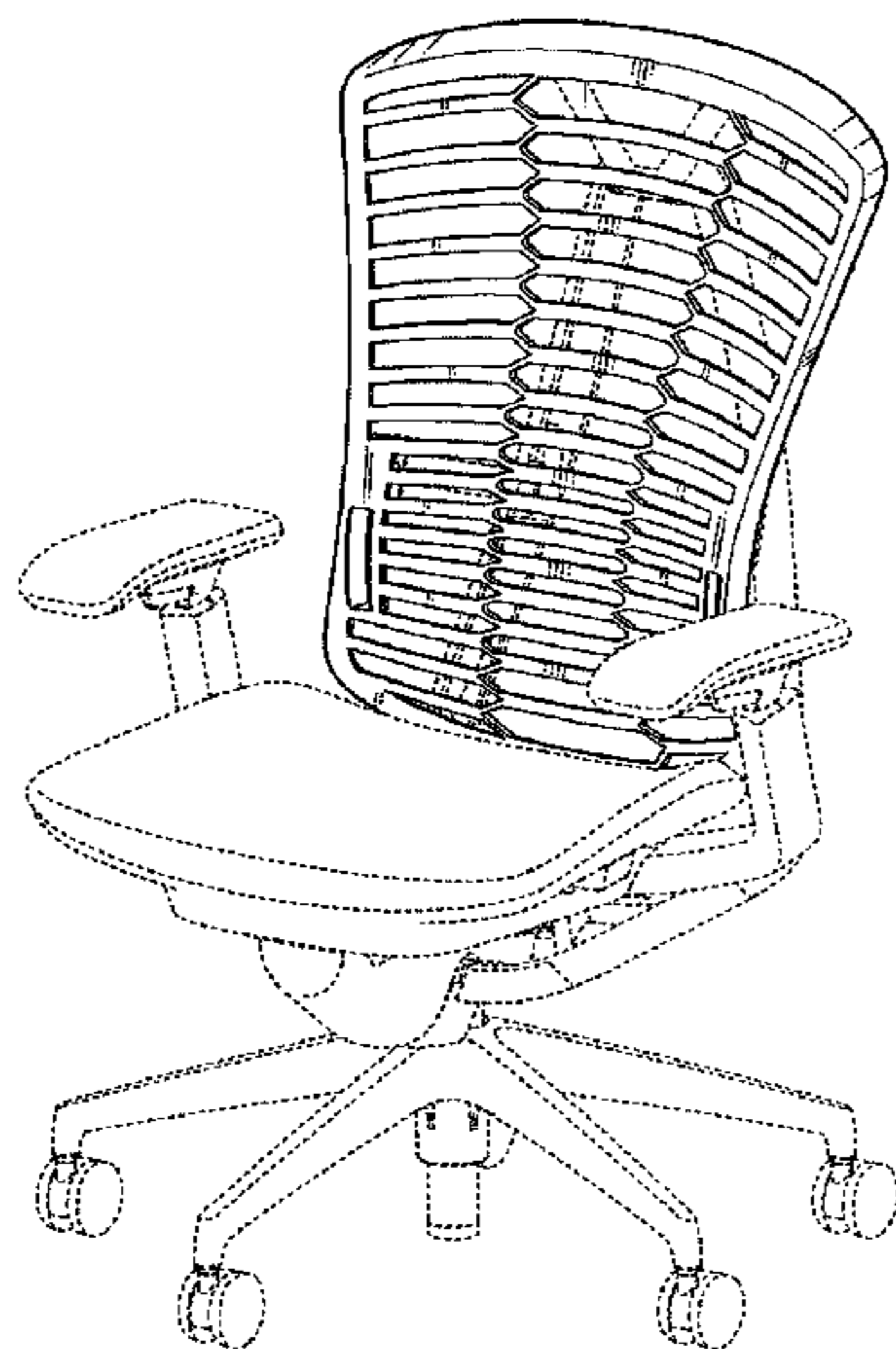
The ornamental design for a chair backrest, as shown and
described.

DESCRIPTION

FIG. 1 is a front perspective view of a chair backrest in a first
embodiment;
FIG. 2 is a rear perspective view thereof;
FIG. 3 is a front view thereof;
FIG. 4 is a rear view thereof;
FIG. 5 is a left side view thereof;
FIG. 6 is right side view thereof;
FIG. 7 is a top plan view thereof; and
FIG. 8 is a bottom view thereof.
FIG. 9 is a front perspective view of the chair backrest in a
second embodiment;
FIG. 10 is a rear perspective view thereof;
FIG. 11 is a front view thereof;
FIG. 12 is a rear view thereof;
FIG. 13 is a left side view thereof;
FIG. 14 is right side view thereof;
FIG. 15 is a top plan view thereof; and,
FIG. 16 is a bottom view thereof.

The broken line showing of the chair backrest is for the
purpose of illustrating environmental structure and forms no
part of the claimed design.

1 Claim, 16 Drawing Sheets



(56)

References Cited

U.S. PATENT DOCUMENTS

D559,571 S 1/2008 Meda
 D559,572 S 1/2008 Igarashi
 D572,948 S * 7/2008 Wakasugi et al. D6/500
 D577,934 S * 10/2008 Raftery et al. D6/502
 D580,199 S * 11/2008 Su D6/502
 D582,170 S 12/2008 Chi
 D600,462 S 9/2009 Ooki et al.
 D604,071 S * 11/2009 Su D6/502
 D613,085 S 4/2010 Fujita
 D613,087 S 4/2010 Fujita
 D618,927 S * 7/2010 Zhang D6/366
 D627,983 S * 11/2010 Wakasugi et al. D6/366
 D636,614 S 4/2011 Sander et al.
 D644,862 S 9/2011 Gaschy
 D652,223 S * 1/2012 Fujita D6/366
 D654,709 S 2/2012 Fujita
 D654,711 S 2/2012 Fujita
 D656,752 S 4/2012 Moll

D661,117 S 6/2012 Tanaka et al.
 D662,330 S 6/2012 Tanaka et al.
 D663,129 S 7/2012 Greutmann
 D667,232 S 9/2012 Yang
 D670,927 S 11/2012 Hurford
 D671,759 S 12/2012 Hurford
 D676,254 S 2/2013 Chen
 D677,068 S 3/2013 Chen
 D679,107 S 4/2013 Darrow et al.
 D687,641 S * 8/2013 Barrell D6/366
 D688,056 S 8/2013 Phillips et al.
 D688,061 S * 8/2013 Giugiaro D6/366
 D689,314 S * 9/2013 Smith et al. D6/716
 D690,523 S * 10/2013 Choi D6/366
 D694,538 S 12/2013 Smith et al.
 D694,539 S * 12/2013 Smith et al. D6/366
 D695,034 S * 12/2013 Smith et al. D6/366
 D697,726 S 1/2014 Smith
 D701,068 S * 3/2014 Usumoto et al. D6/716
 D714,070 S * 9/2014 Cvek D6/366
 D715,068 S * 10/2014 Chan D6/366

* cited by examiner

Fig. 1

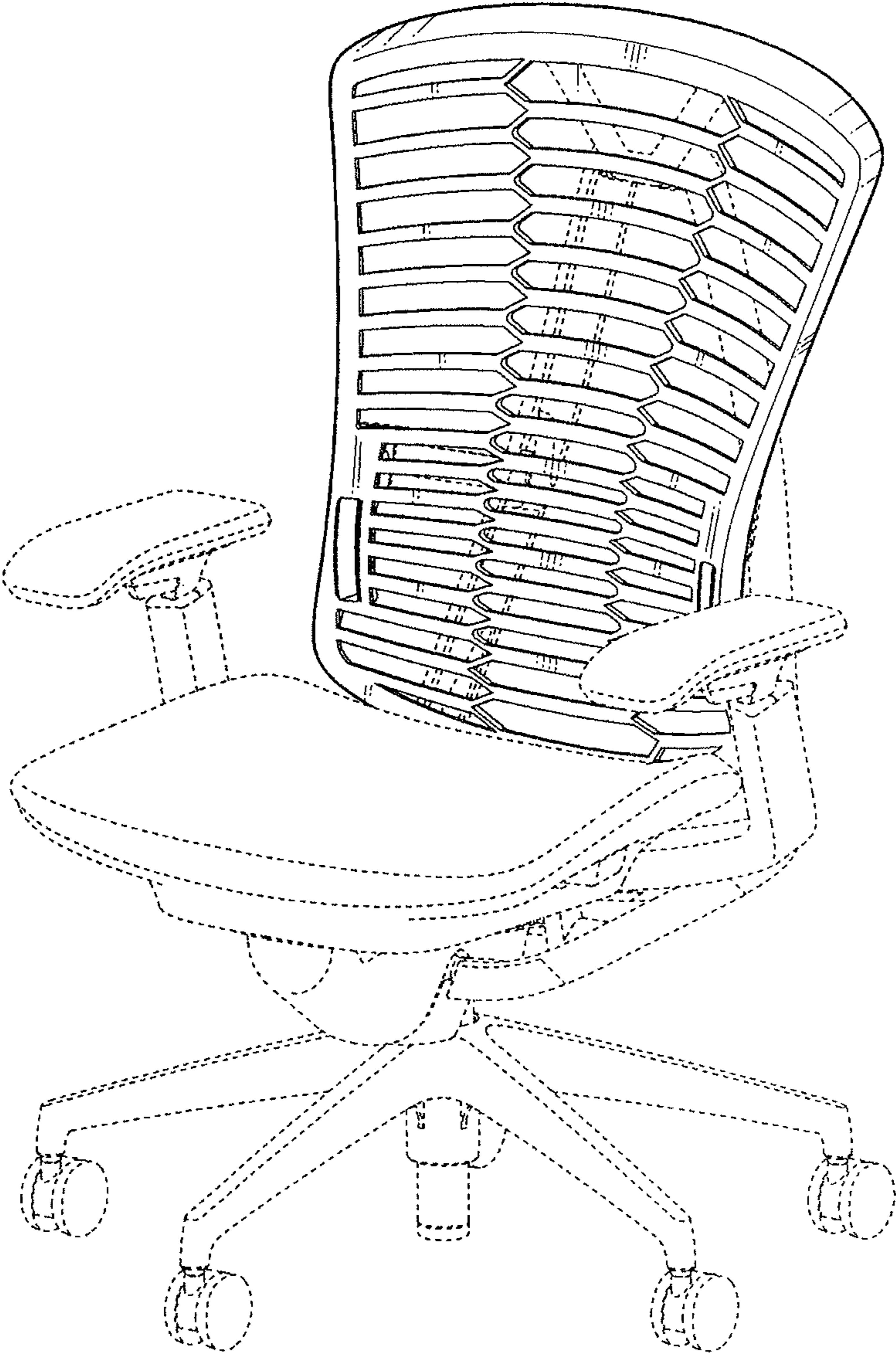


Fig. 2

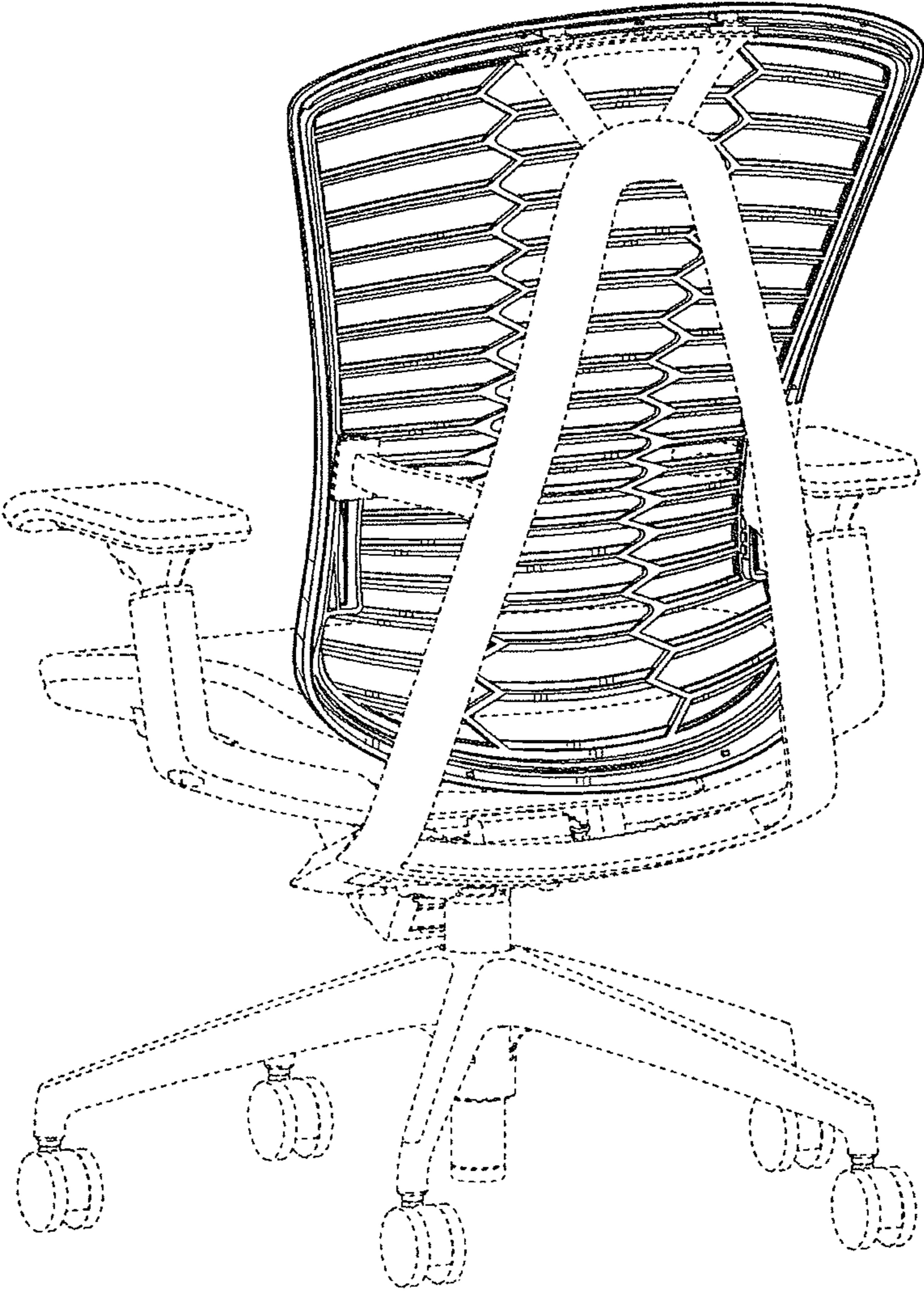


Fig. 3

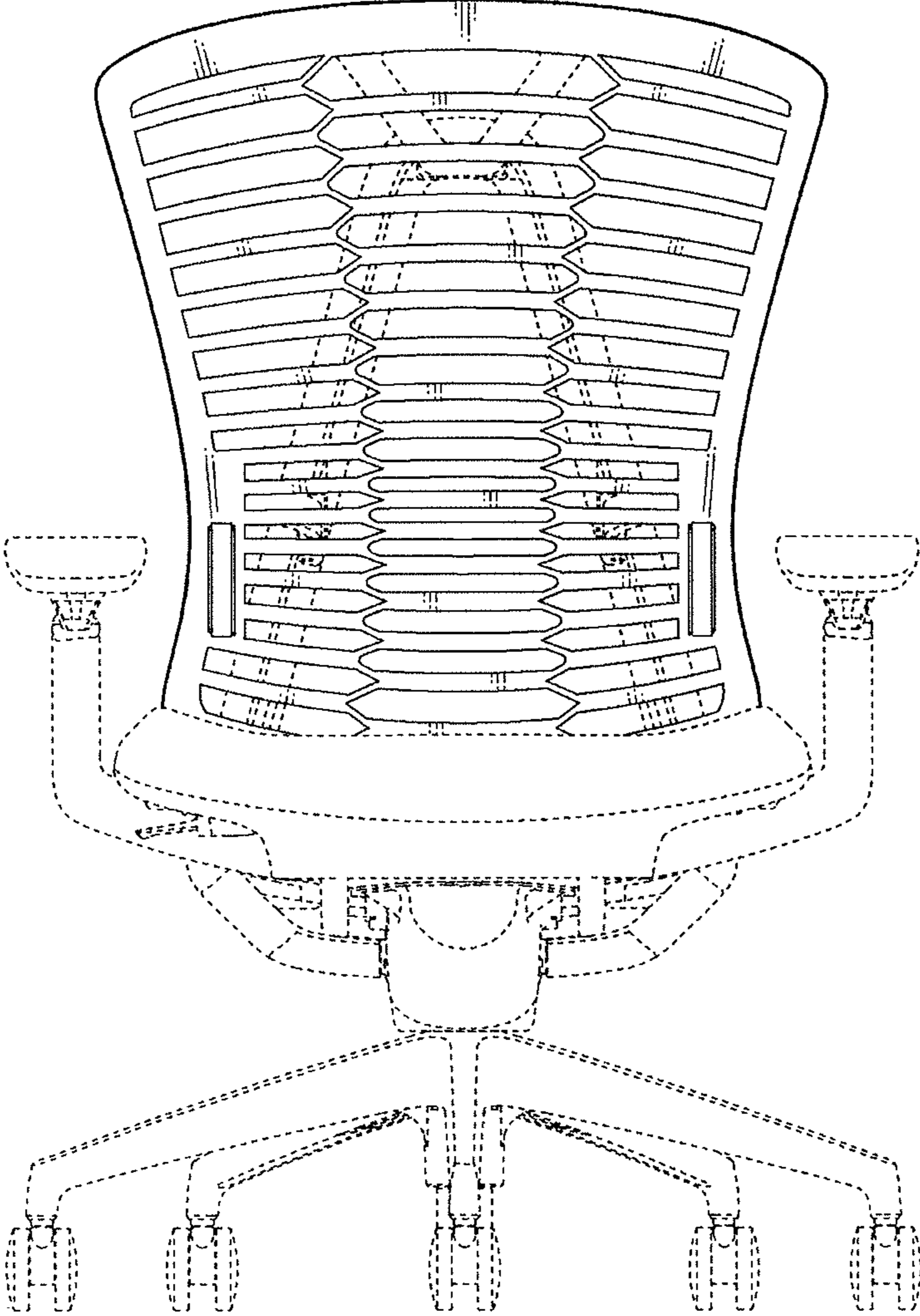


Fig. 4

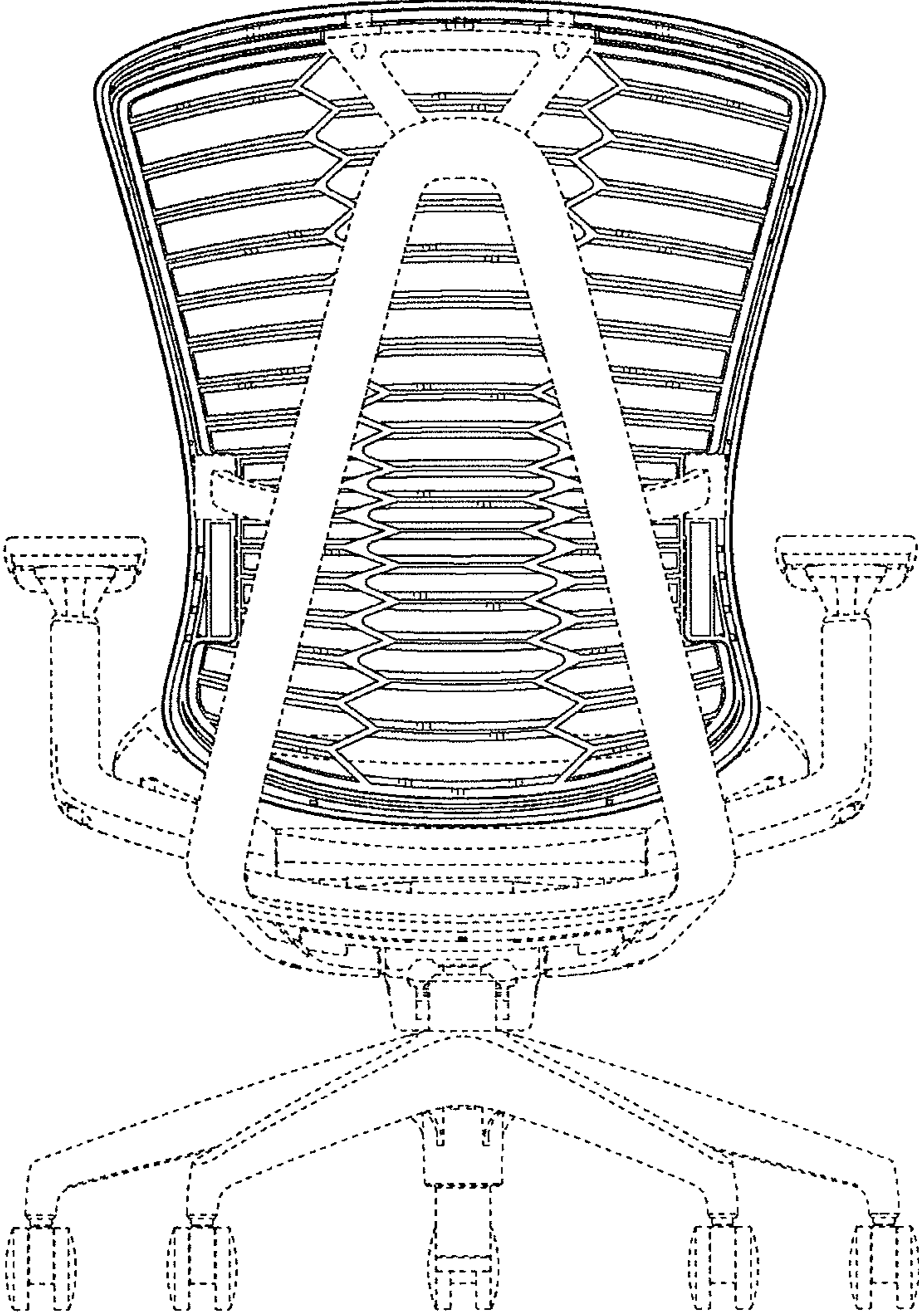


Fig. 5

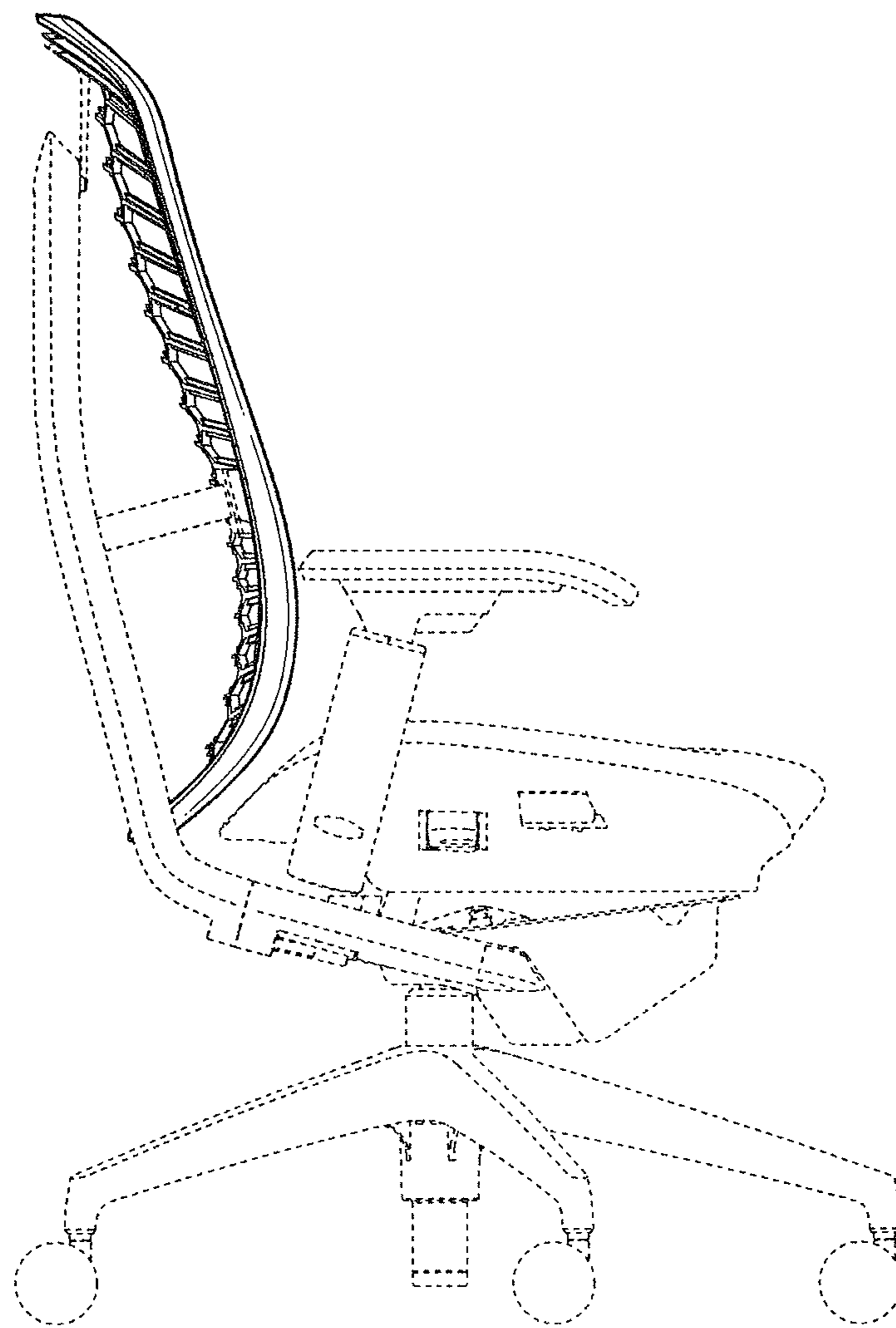


Fig. 6

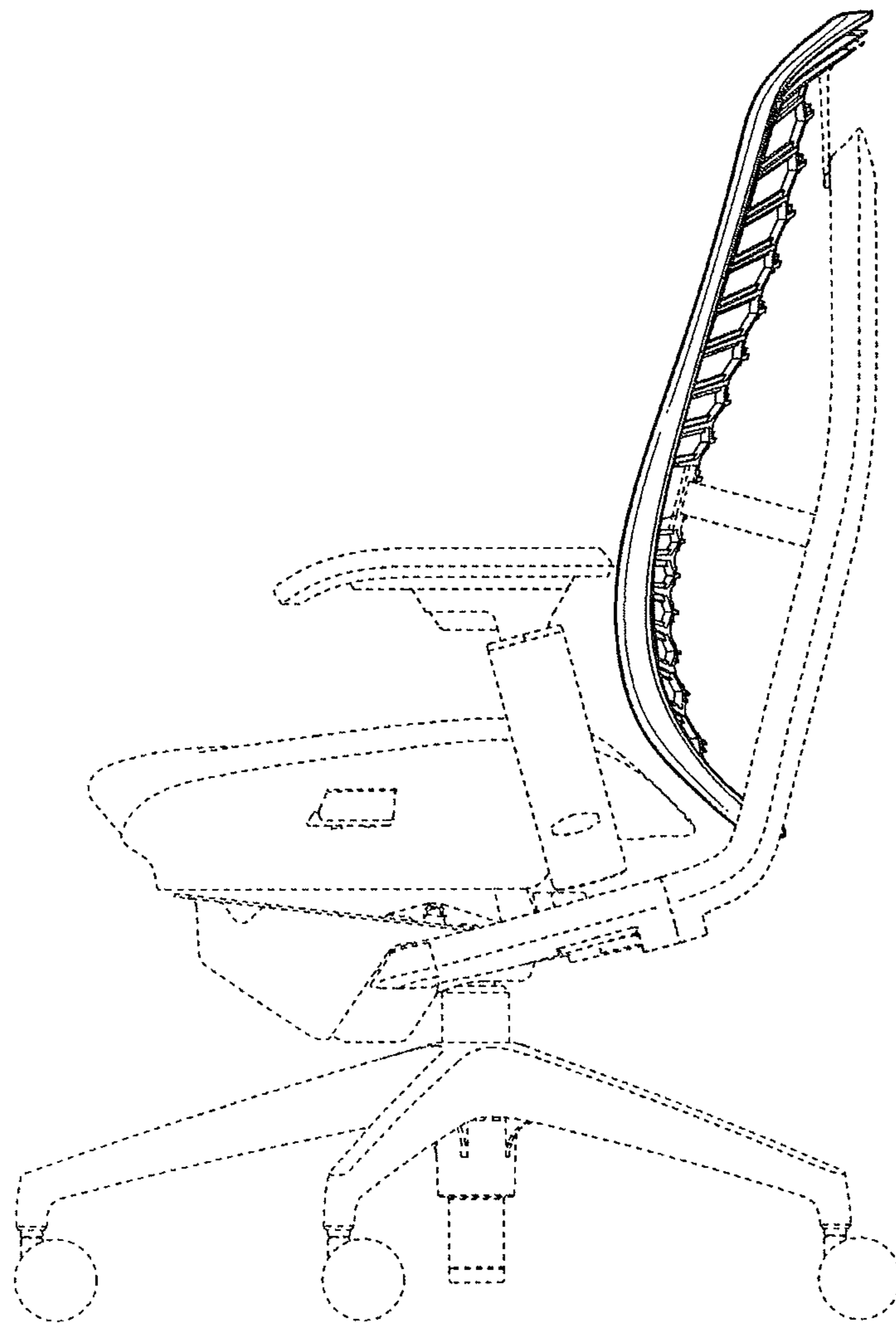


Fig. 7

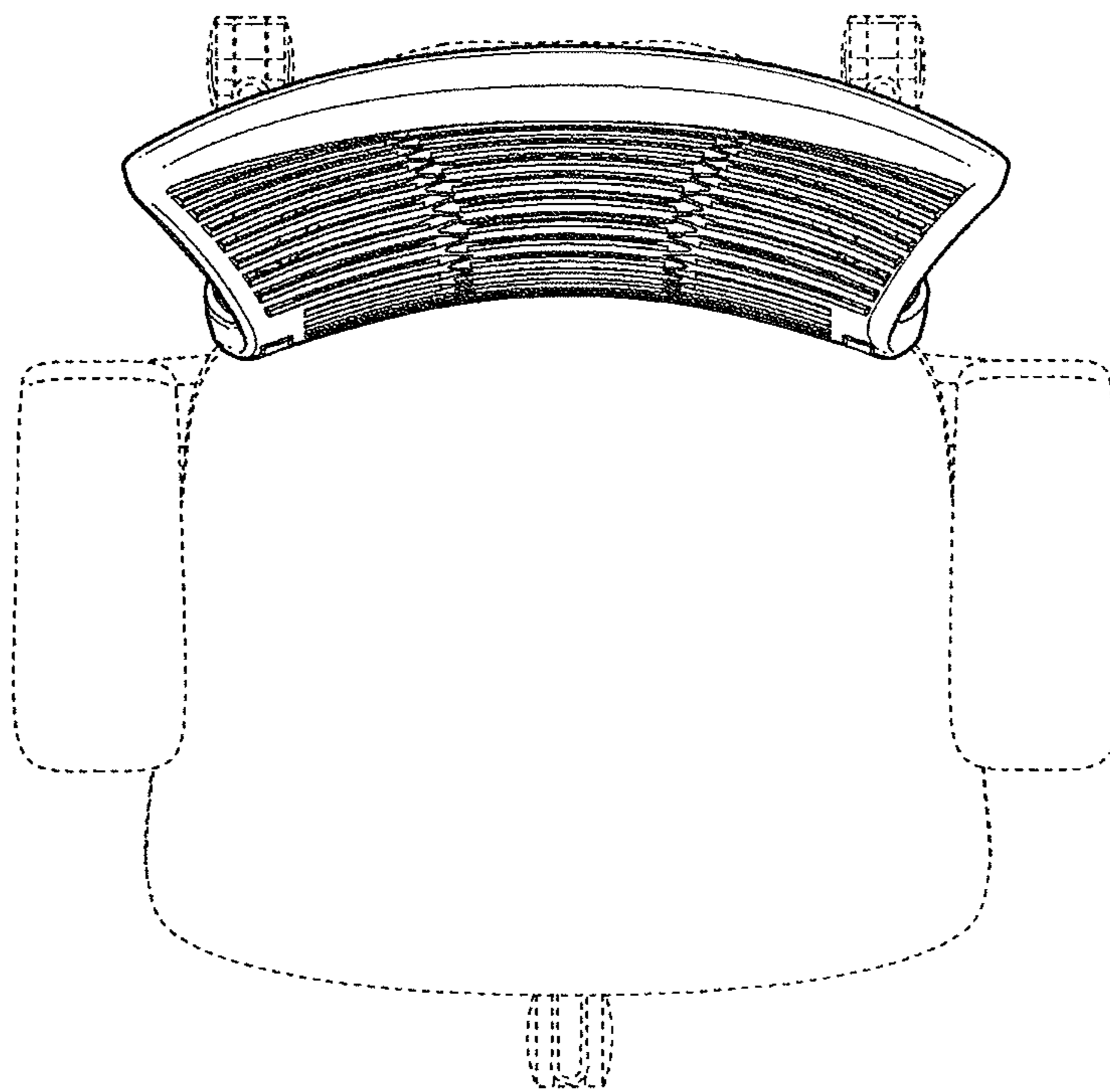


Fig. 8

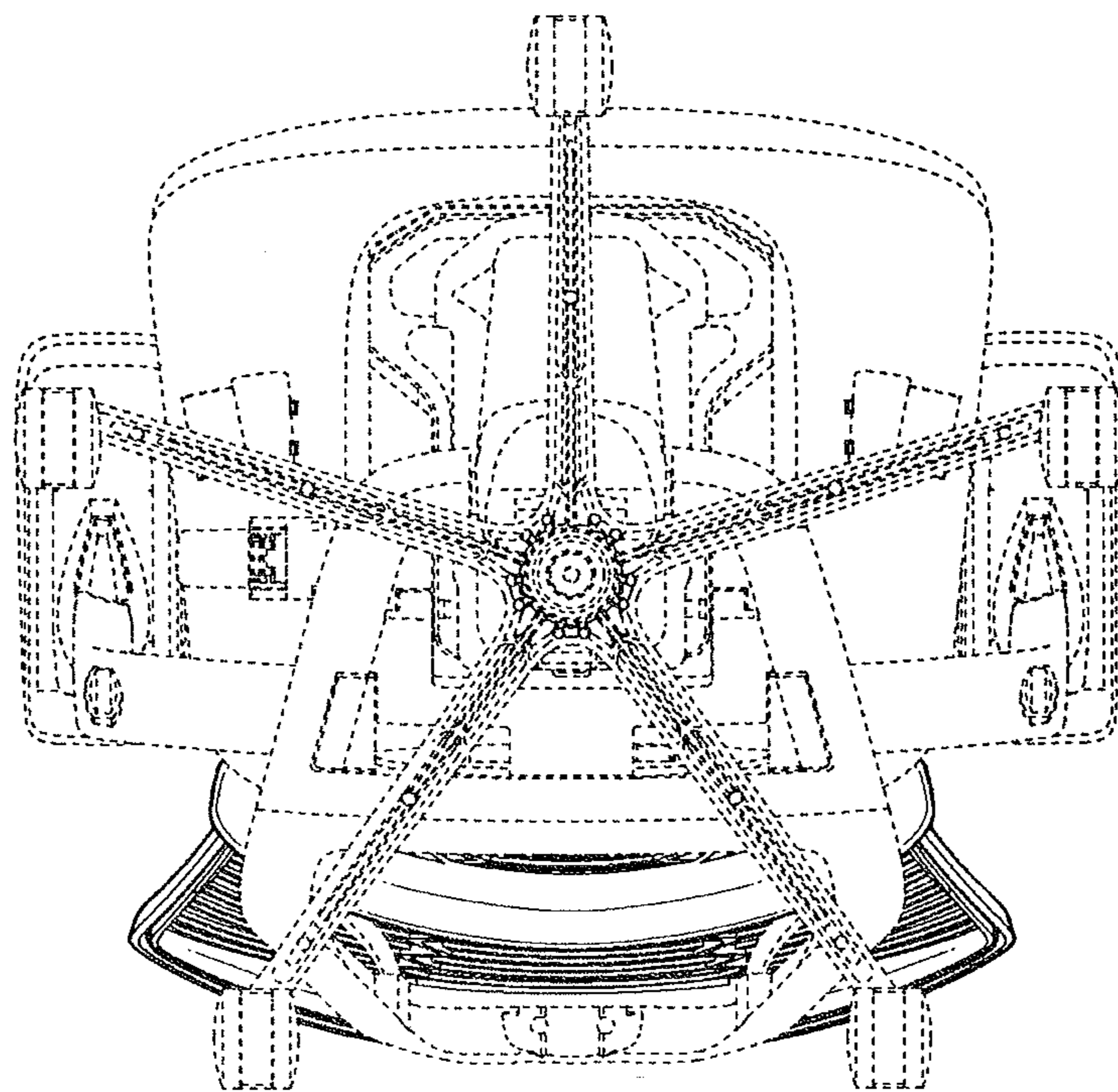


Fig. 9

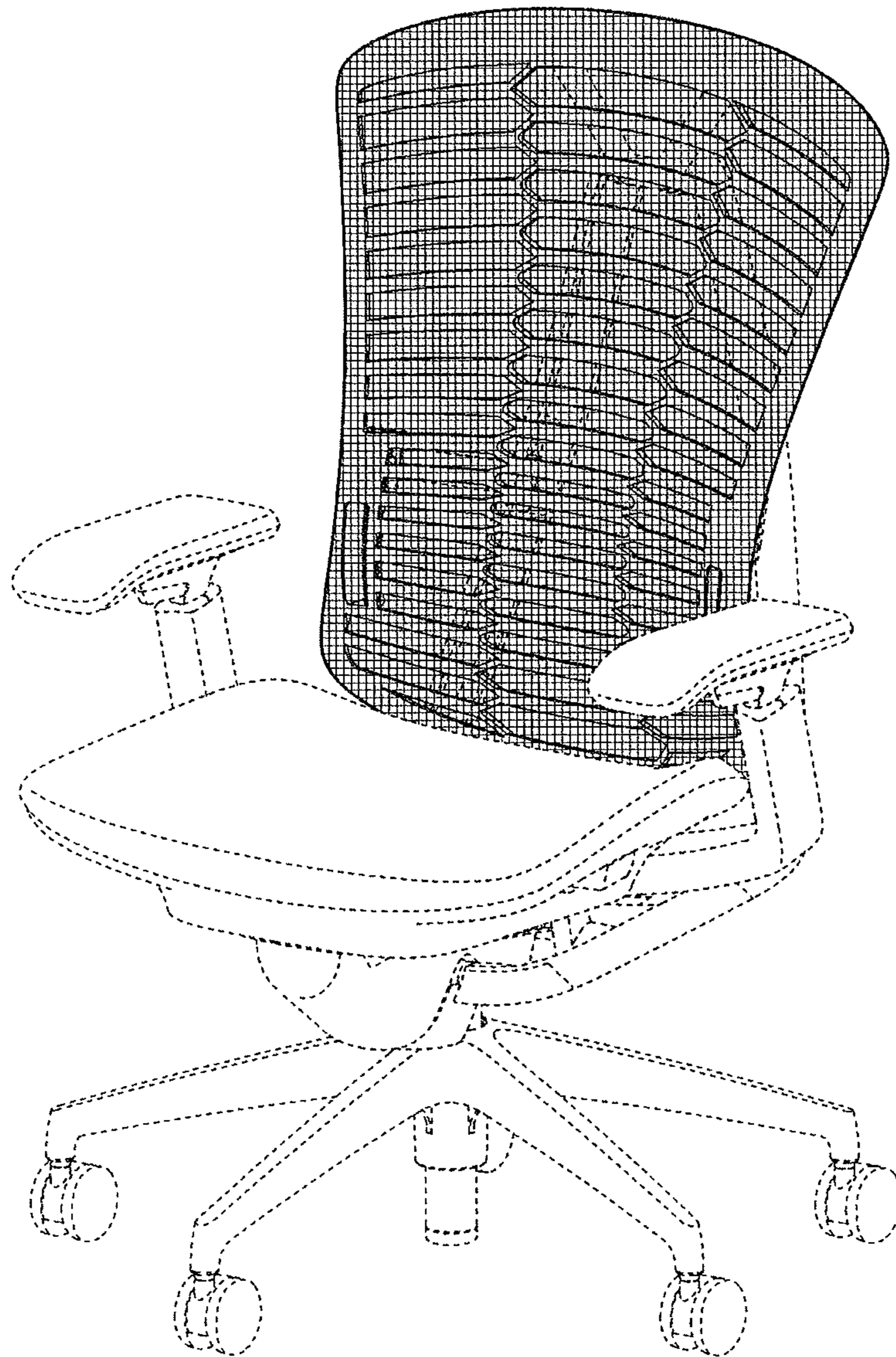


Fig. 10

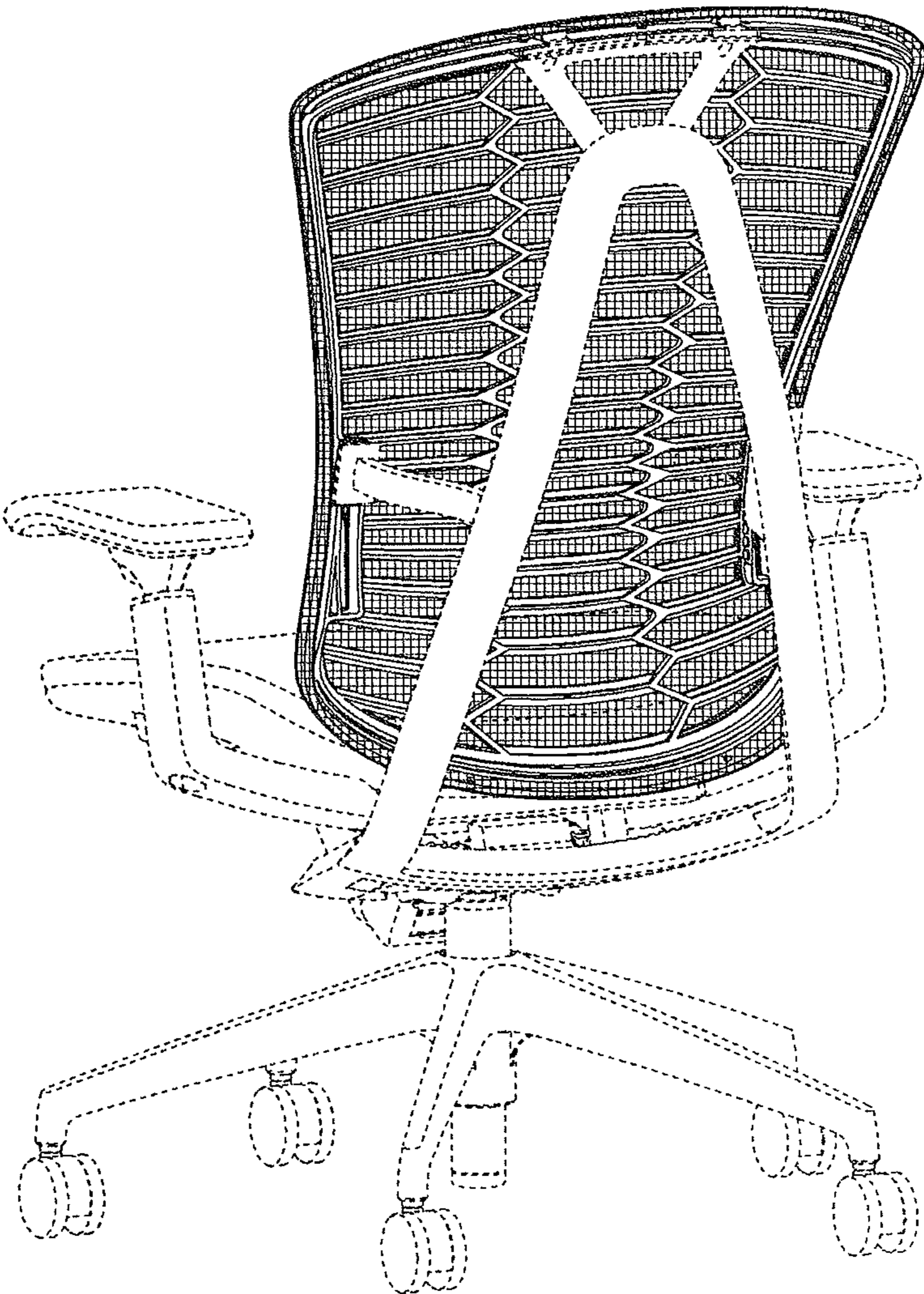


Fig. 11

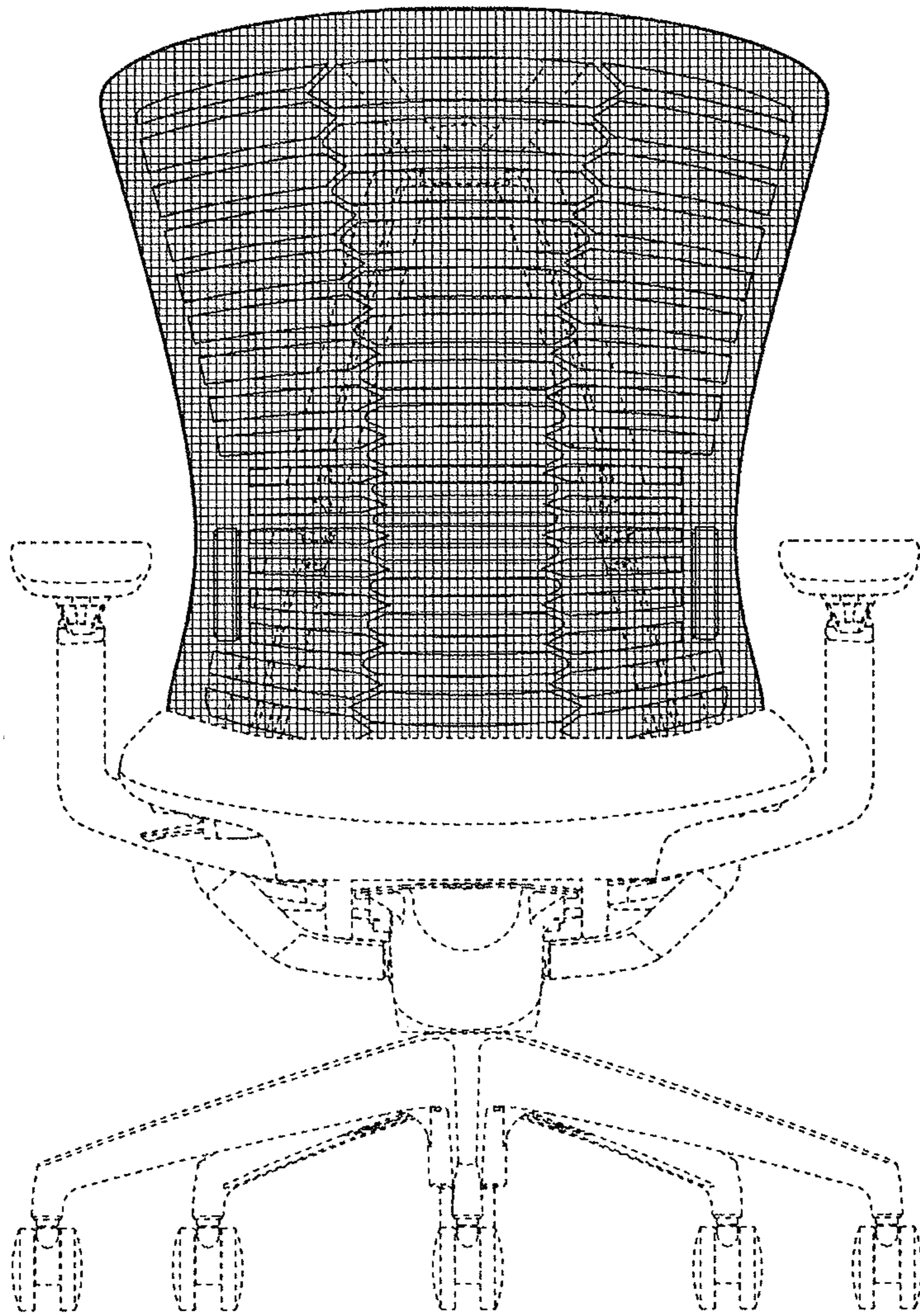


Fig. 12

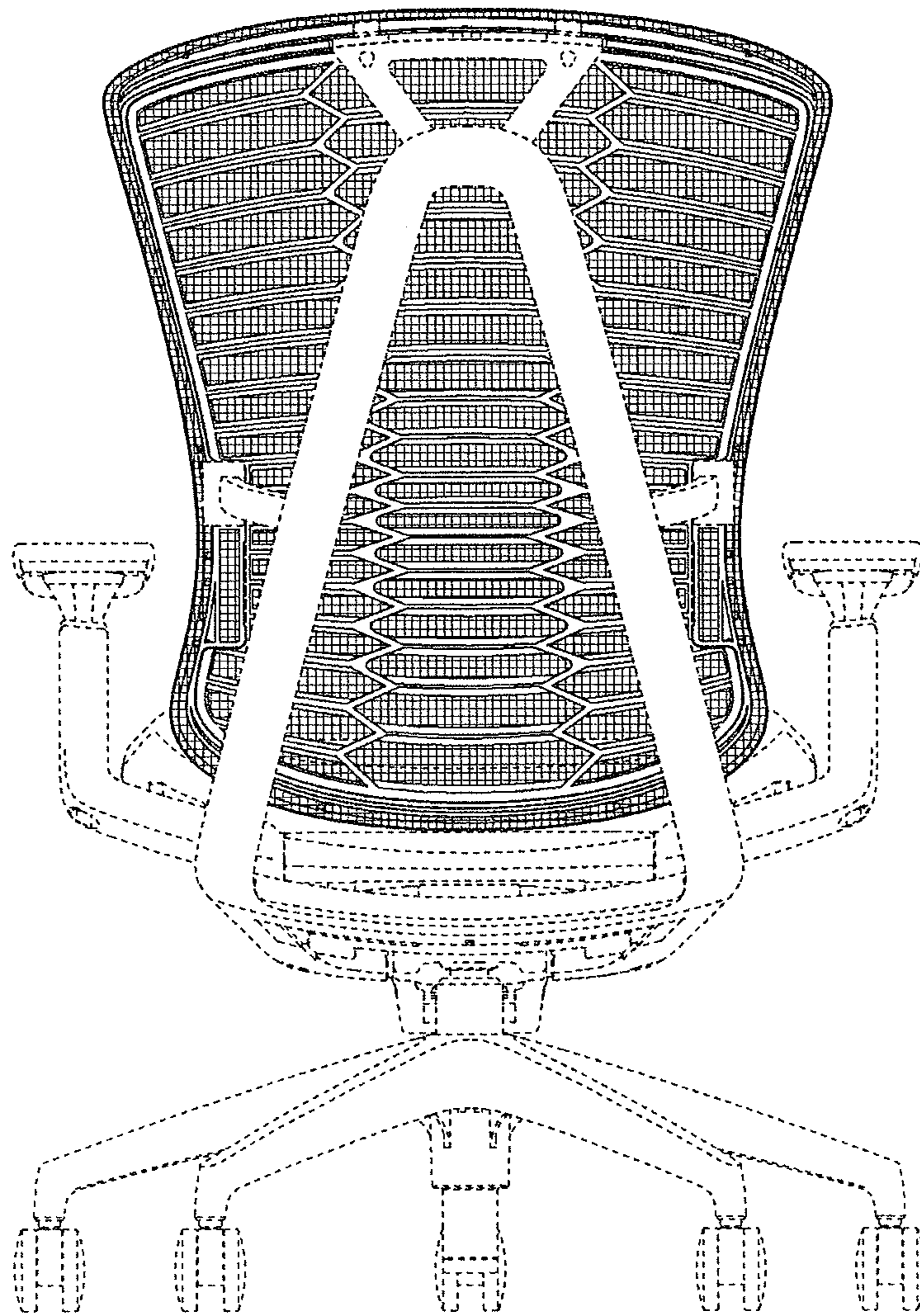


Fig. 13

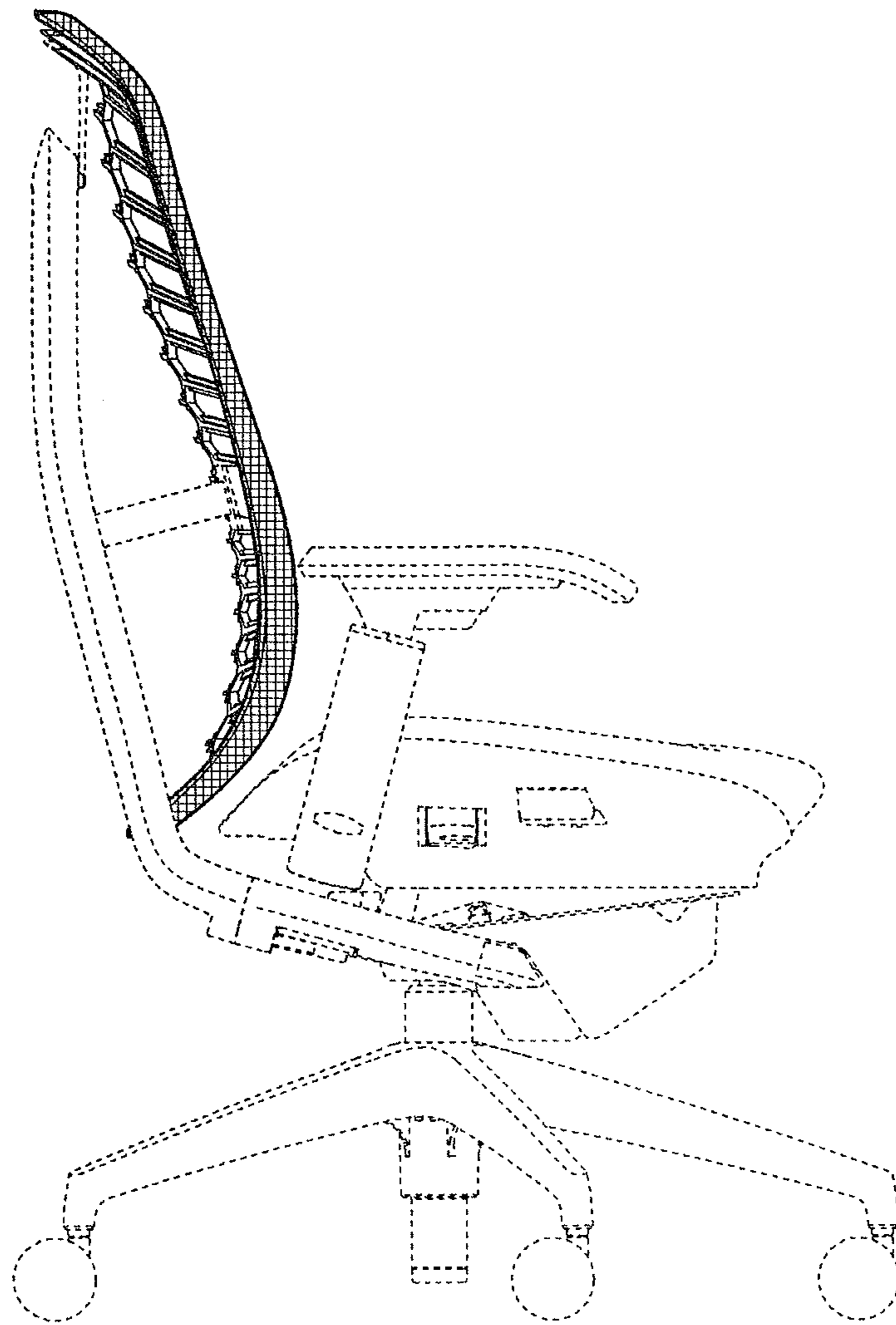


Fig. 14

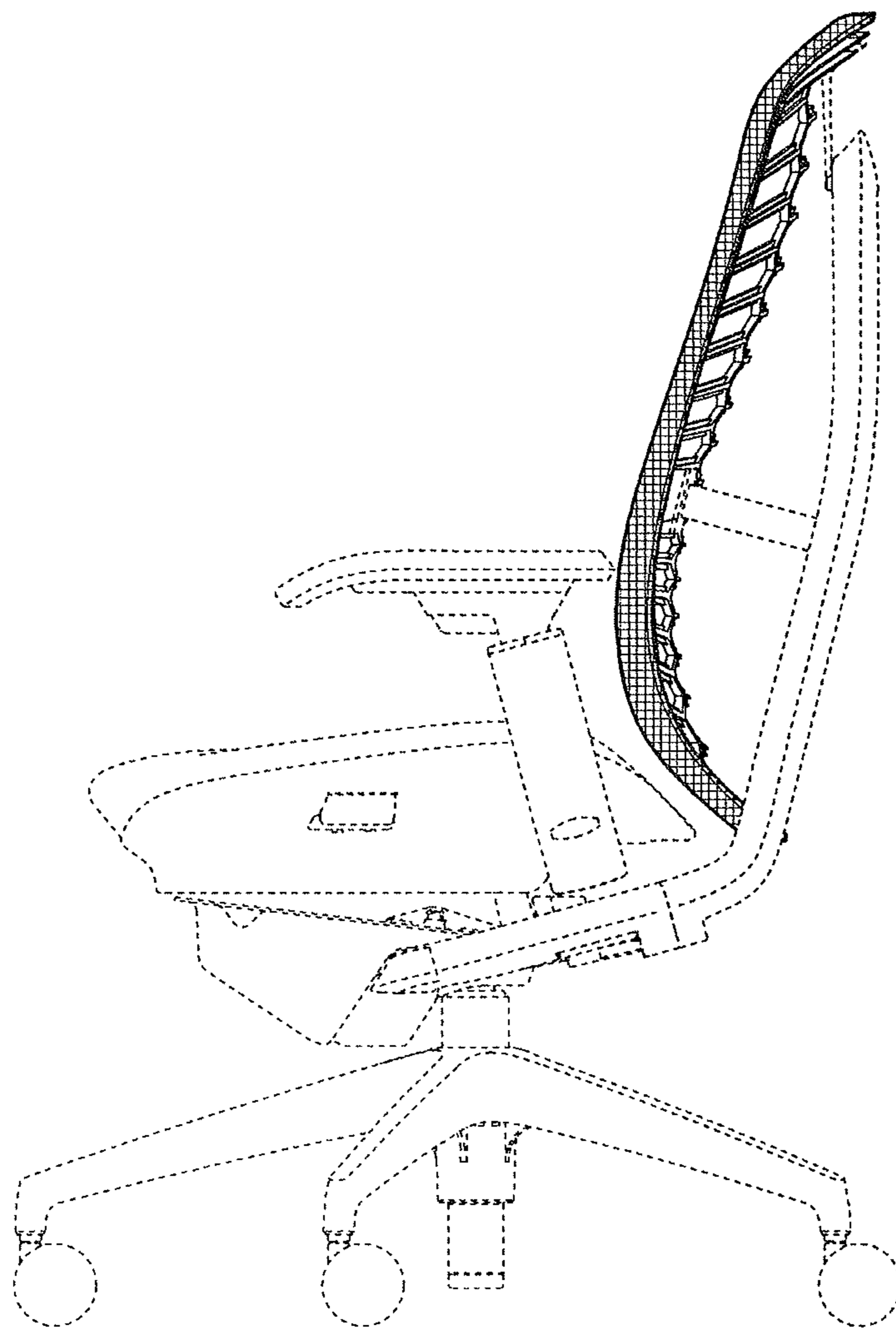


Fig. 15

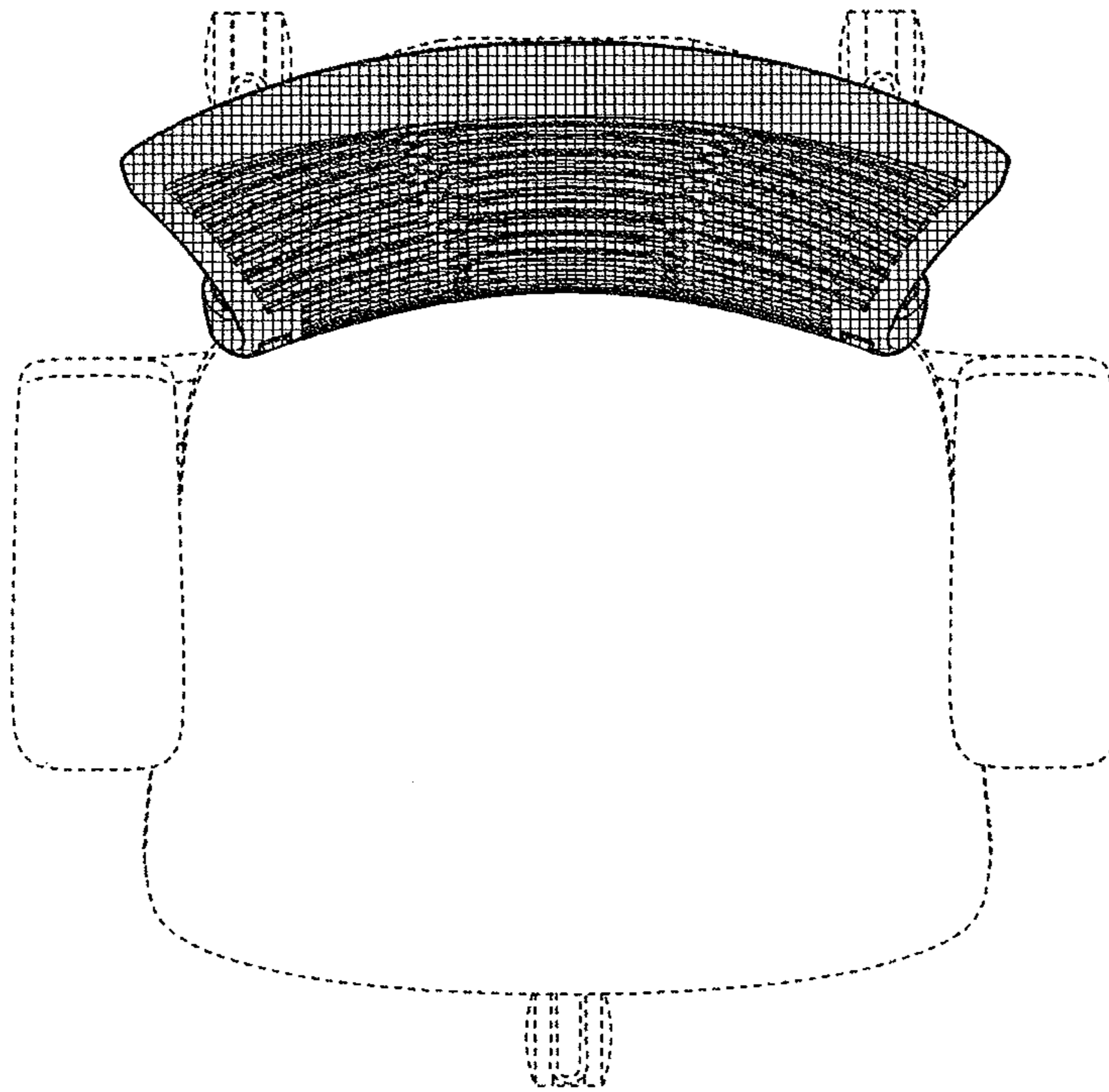


Fig. 16

