



US00D735511S

(12) **United States Design Patent**
Nelson

(10) **Patent No.:** **US D735,511 S**

(45) **Date of Patent:** **** Aug. 4, 2015**

(54) **LETTER E CHAIR**

(71) Applicant: **Keith Nelson**, Grimes, IA (US)

(72) Inventor: **Keith Nelson**, Grimes, IA (US)

(**) Term: **14 Years**

(21) Appl. No.: **29/475,661**

(22) Filed: **Dec. 5, 2013**

Related U.S. Application Data

(63) Continuation of application No. 29/393,407, filed on Jun. 3, 2011, now Pat. No. Des. 699,993.

(51) **LOC (10) Cl.** **06-06**

(52) **U.S. Cl.**
USPC **D6/716**

(58) **Field of Classification Search**
USPC D6/334, 341, 371–375, 381, 491–492,
D6/500–502, 702, 716–716.1;
297/232–233, 239, 300.1, 311, 353,
297/445.1, 446.1, 448.1, 448.2, 452.11;
5/12.1, 12.2

See application file for complete search history.

(56) **References Cited**

U.S. PATENT DOCUMENTS

3,485,527 A * 12/1969 Barghout 297/445.1
D239,345 S * 3/1976 Keller D6/375
D341,954 S * 12/1993 Thompson D6/374
D376,465 S * 12/1996 Haro et al. D1/114

D498,069 S * 11/2004 Kreiss D6/369
D502,015 S * 2/2005 Hollett et al. D6/335
D537,263 S * 2/2007 Berry et al. D6/381
D549,970 S * 9/2007 Bouroullec et al. D6/334
D568,626 S * 5/2008 Gharabegian D6/374
D572,928 S * 7/2008 Rittfeldt et al. D6/375
D595,515 S * 7/2009 Collette D6/334
D601,357 S * 10/2009 Siegel D6/334
D609,489 S * 2/2010 Adams et al. D6/375
D646,096 S * 10/2011 Langbord et al. D6/502
D653,886 S * 2/2012 Lucci D6/502
D656,337 S 3/2012 Townsend
D668,469 S 10/2012 Siegel
D672,579 S 12/2012 Vass
D676,690 S 2/2013 Pheasant
D697,352 S * 1/2014 Skalka D6/716.1

* cited by examiner

Primary Examiner — Kelley Donnelly

(74) *Attorney, Agent, or Firm* — McKee, Voorhees & Sease, PLC

(57) **CLAIM**

I claim the ornamental design for the letter E chair, as shown and described.

DESCRIPTION

FIG. 1 is a perspective view of the letter “E” chair.

FIG. 2 is a front view of the letter “E” chair.

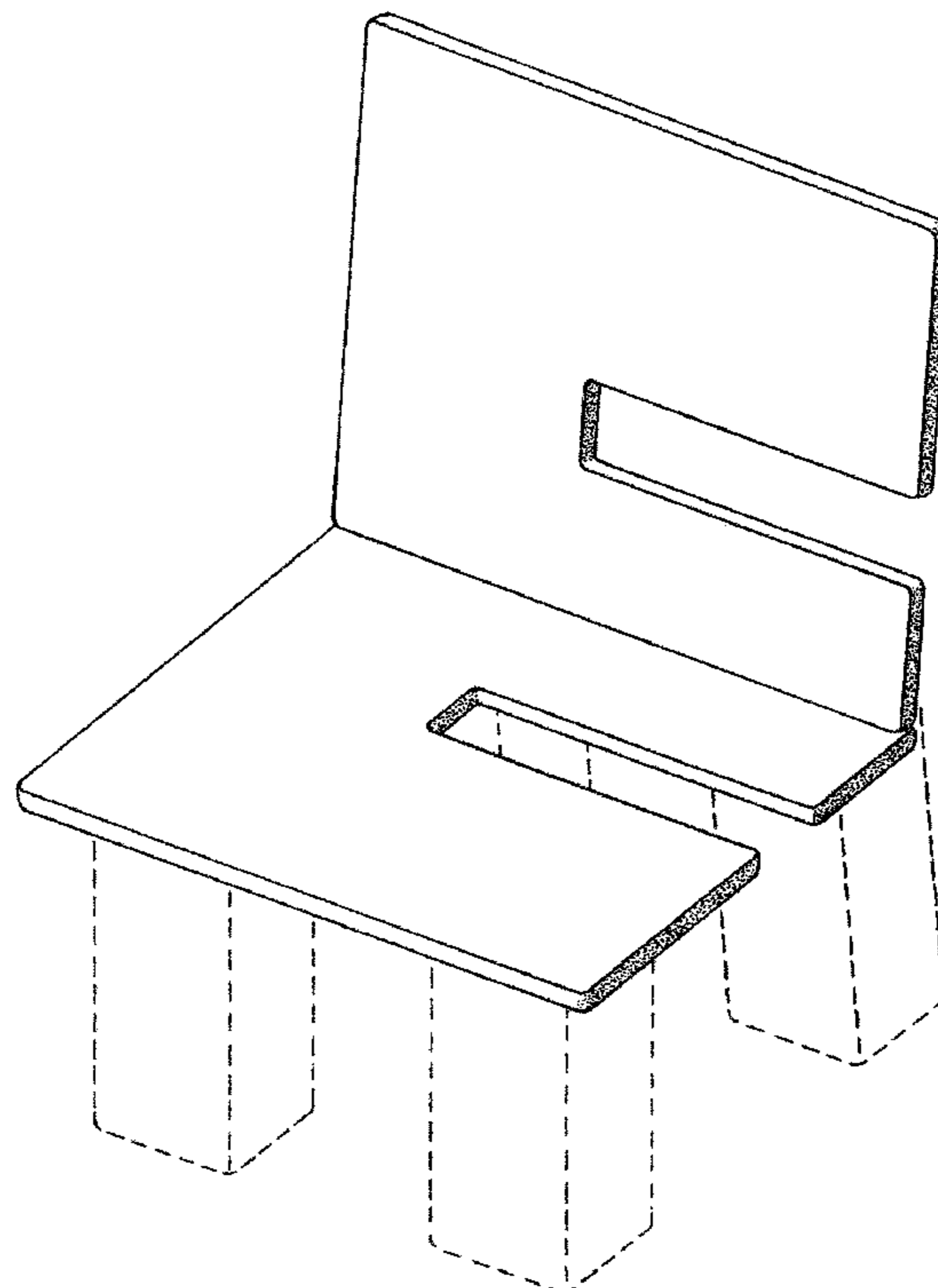
FIG. 3 is a rear view of the letter “E” chair.

FIG. 4 is a top view of the letter “E” chair.

FIG. 5 is a side view of the letter “E” chair; and,

FIG. 6 is a side view of the letter “E” chair.

1 Claim, 6 Drawing Sheets



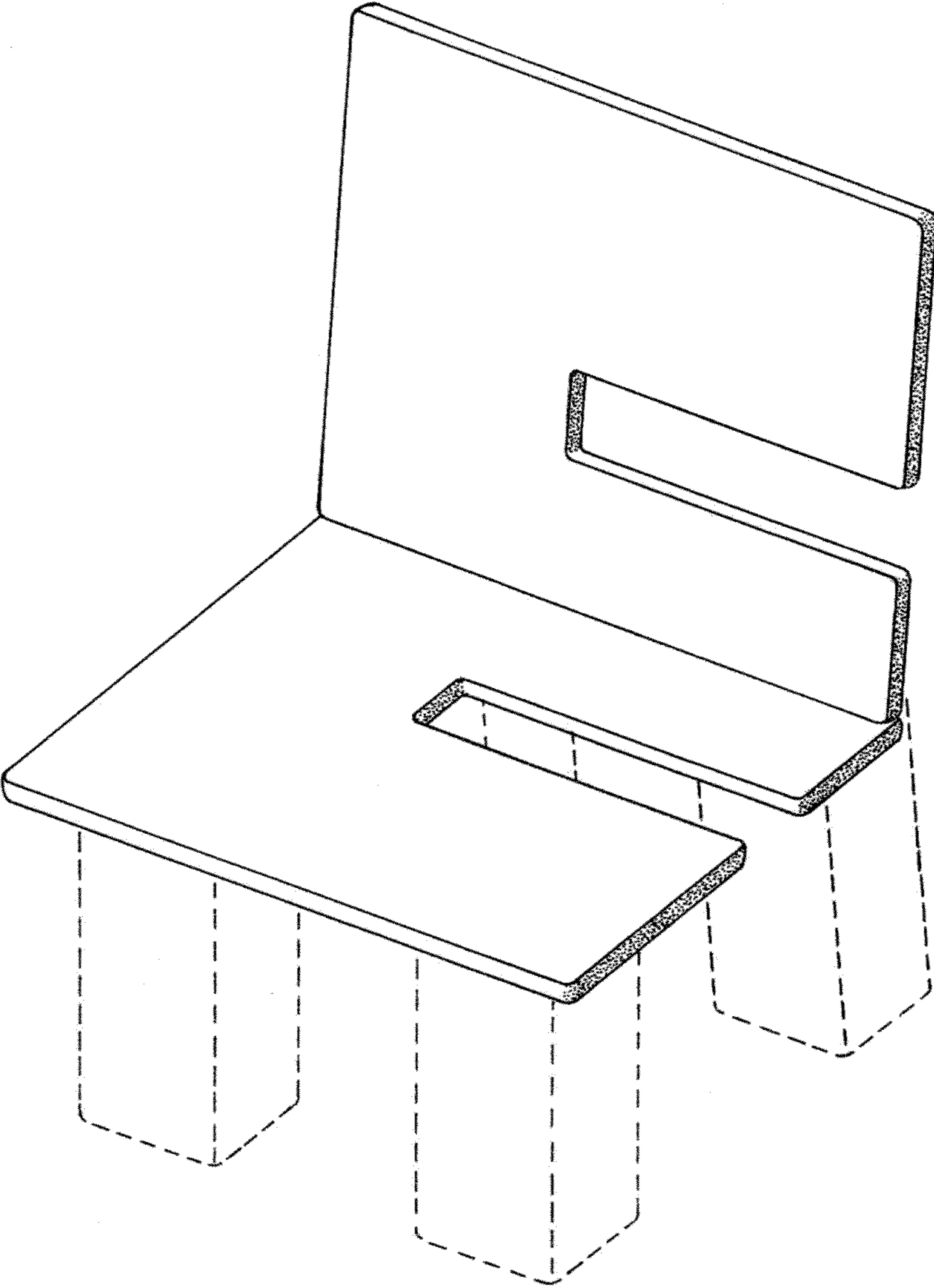


FIG. 1

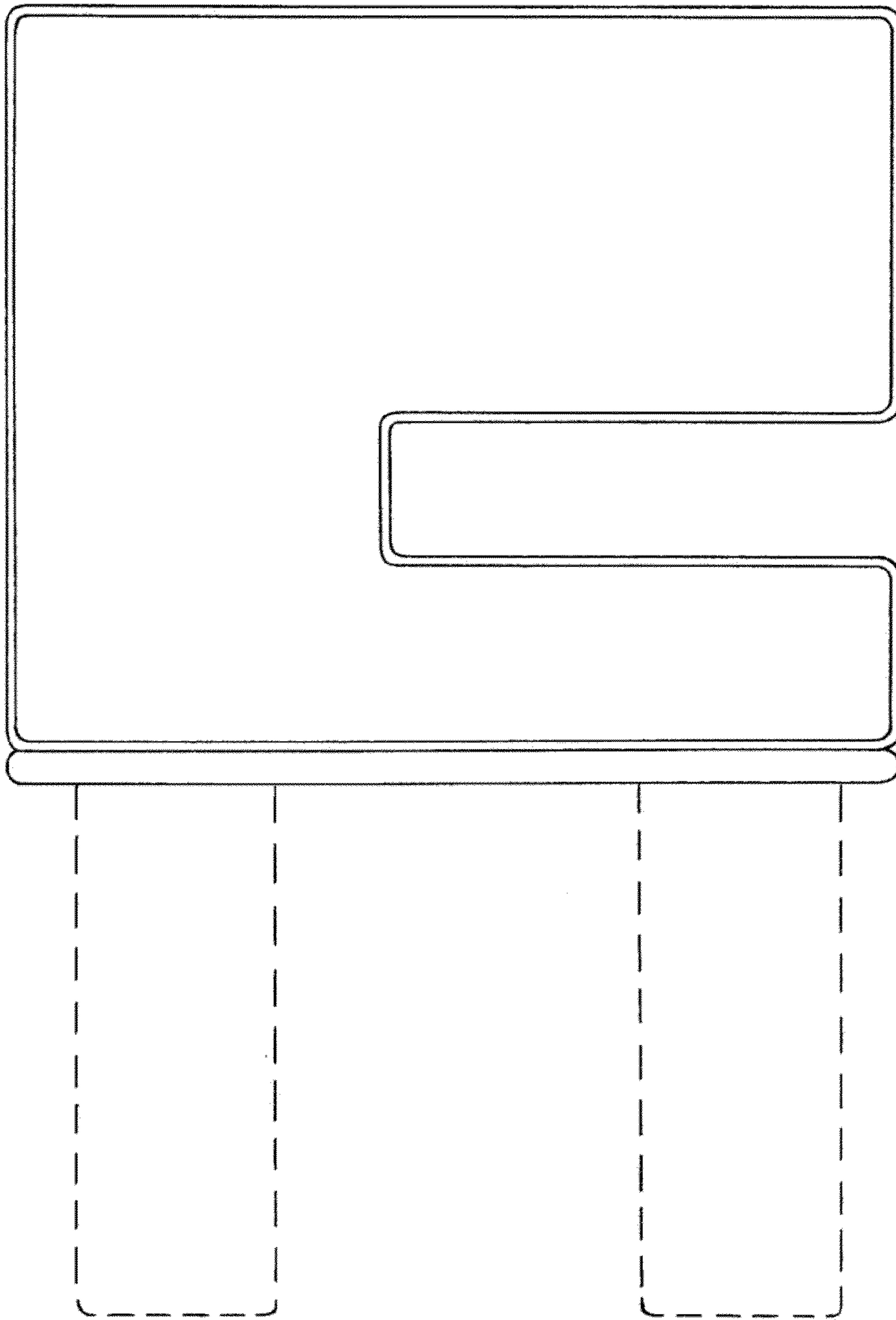


FIG. 2

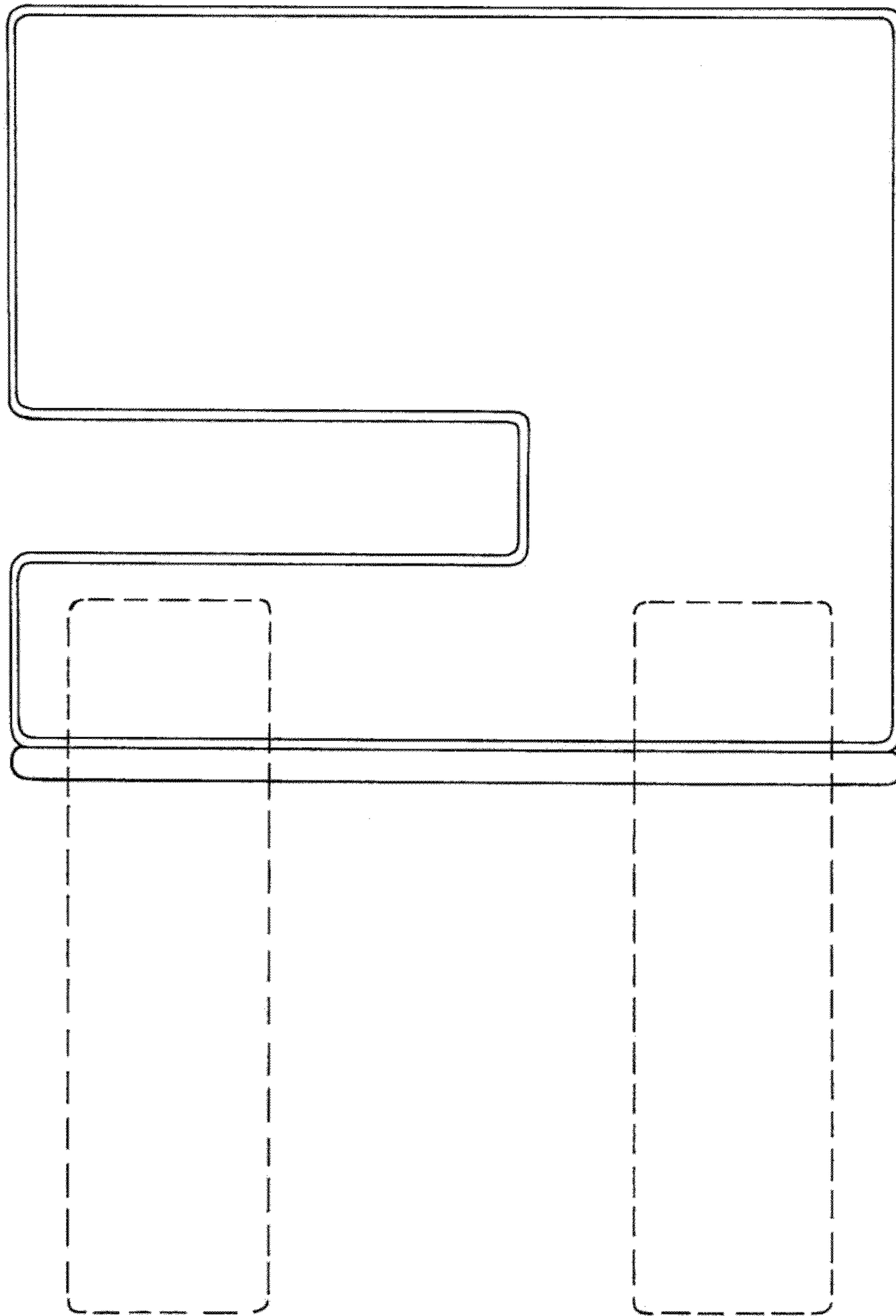


FIG. 3

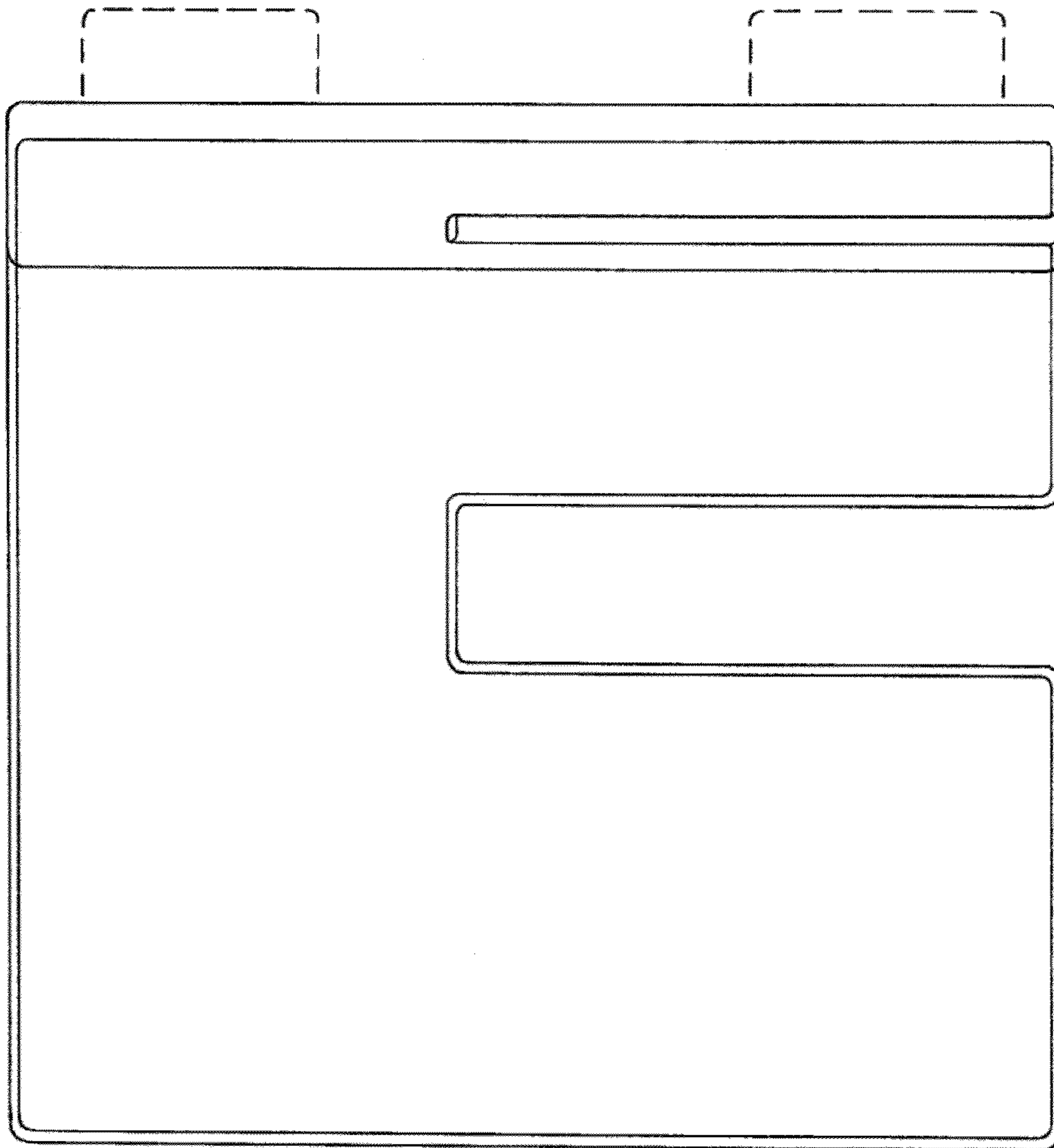


FIG. 4

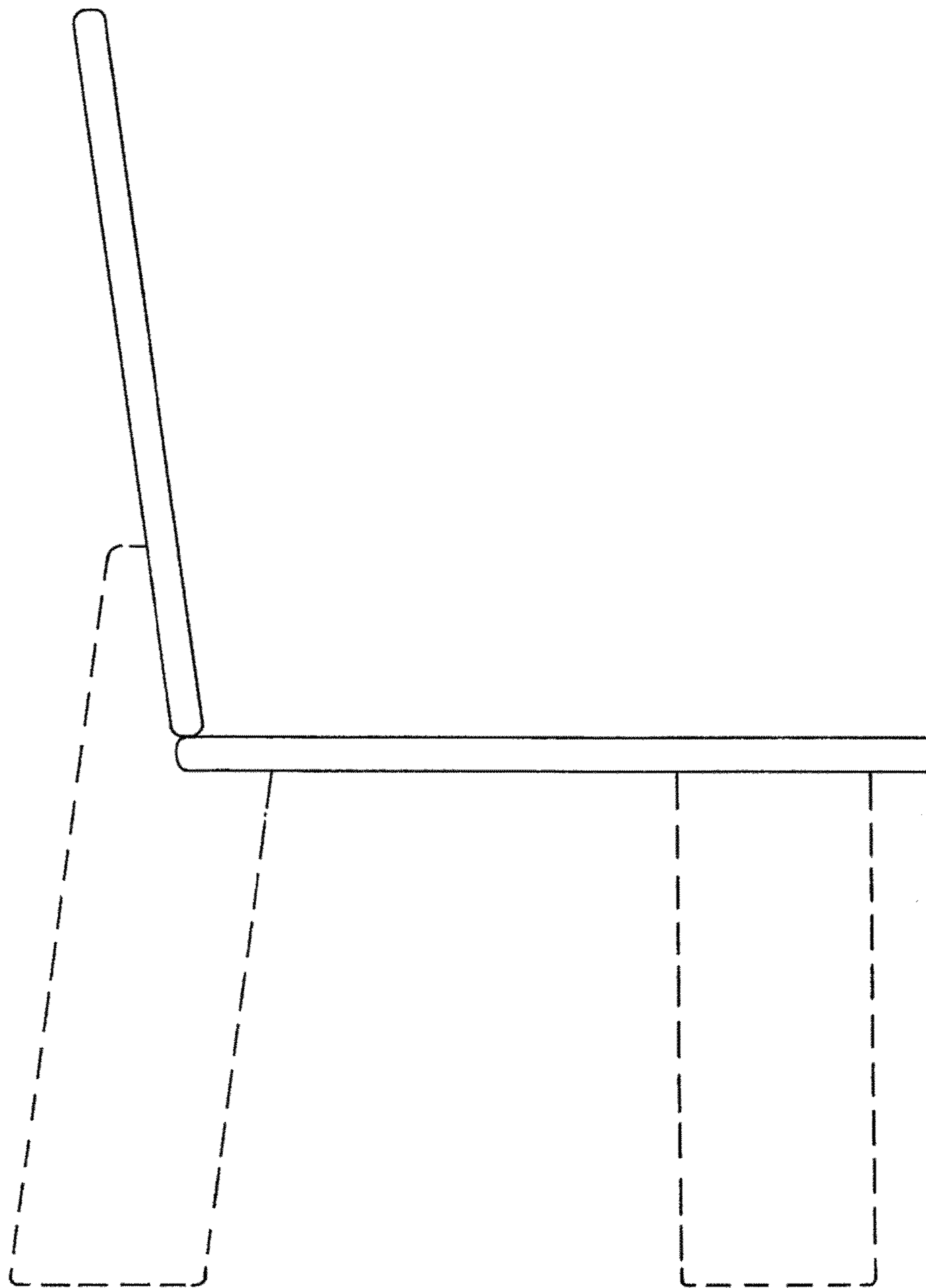


FIG. 5

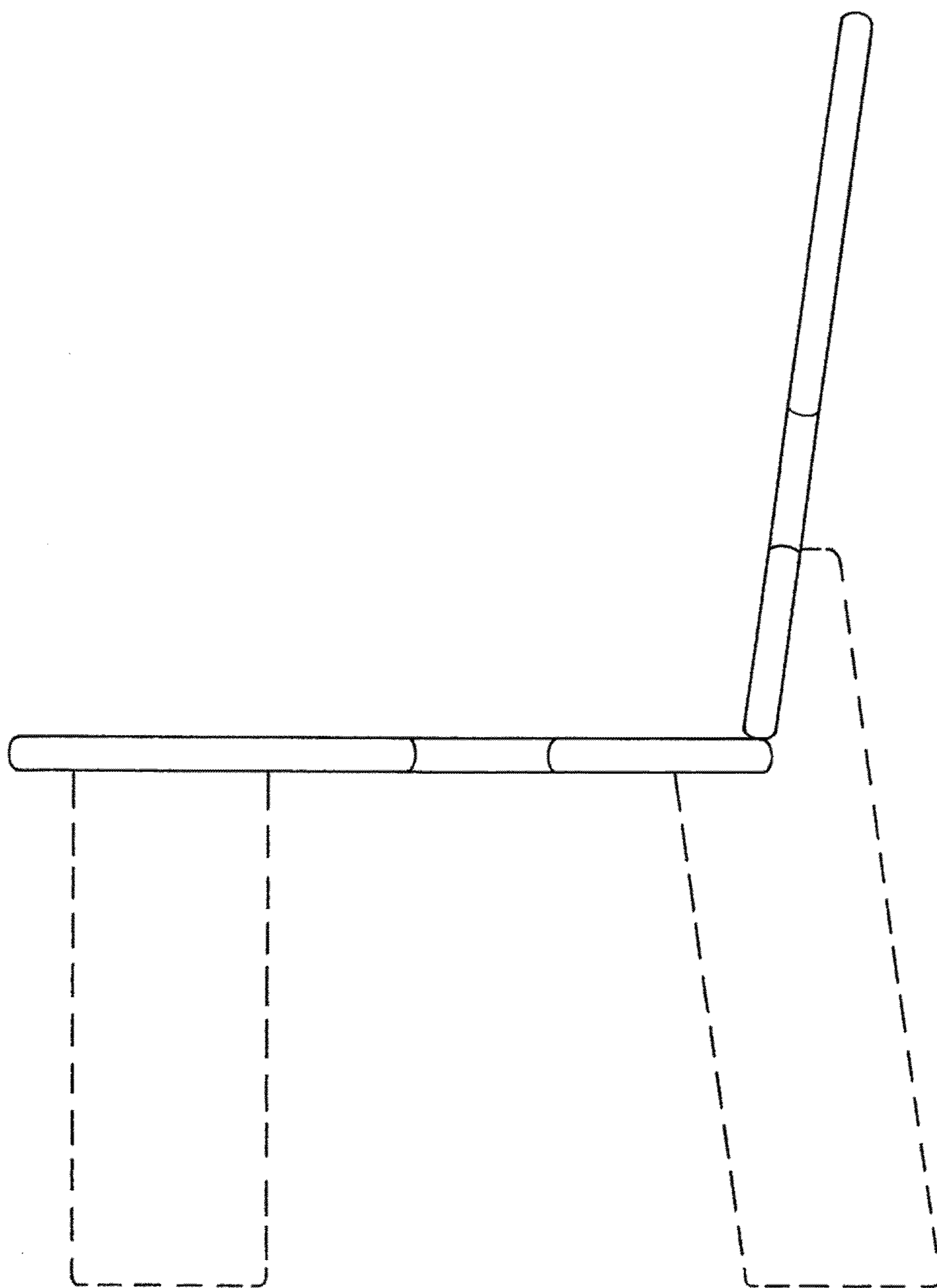


FIG. 6