



US00D735510S

(12) **United States Design Patent**
Volz et al.

(10) **Patent No.:** **US D735,510 S**
(45) **Date of Patent:** **** Aug. 4, 2015**

- (54) **BASE WITH WHEELS FOR A TEMPORARY DISPLAY RACK**
- (71) Applicant: **InnerWorkings, Inc.**, Chicago, IL (US)
- (72) Inventors: **Jodi Volz**, Loveland, OH (US); **Aaron Rieke**, Cincinnati, OH (US)
- (73) Assignee: **InnerWorkings, Inc.**, Chicago, IL (US)
- (**) Term: **14 Years**
- (21) Appl. No.: **29/488,840**
- (22) Filed: **Apr. 23, 2014**
- (51) **LOC (10) Cl.** **06-06**
- (52) **U.S. Cl.**
USPC **D6/708**
- (58) **Field of Classification Search**
USPC D6/708, 708.17; D35/12, 21, 23;
280/79.11, 325, 32.6, 79.2, 79.7;
108/56.1; 248/129
See application file for complete search history.

(56) **References Cited**

U.S. PATENT DOCUMENTS

D127,916	S *	6/1941	Whitefield	D34/23
2,738,542	A *	3/1956	Clark, Jr.	16/44
2,961,250	A *	11/1960	Beach	280/35
3,208,768	A *	9/1965	Hulbert	280/408
D253,465	S *	11/1979	Lobdell	D34/23
D257,823	S *	1/1981	Maza et al.	D34/23
D263,820	S *	4/1982	Levenberg	D34/23
4,720,115	A *	1/1988	Rehrig	280/79.11
D294,775	S *	3/1988	Rechberg	D3/279
4,822,066	A *	4/1989	Rehrig	280/79.11
D321,965	S *	11/1991	Delmerico et al.	D34/23
D333,899	S *	3/1993	Caceres	D34/17
D335,374	S *	5/1993	Schulze et al.	D34/23
D340,562	S *	10/1993	Kean et al.	D34/23
D349,384	S *	8/1994	Crinion	D34/23
D352,586	S *	11/1994	Baucom	D34/23
D356,412	S *	3/1995	Hensley, Jr.	D34/23
5,451,068	A *	9/1995	Shockley	280/32.6
5,472,219	A *	12/1995	Eckstrum	280/32.6

D366,745	S *	1/1996	Kern et al.	D34/17
D384,466	S *	9/1997	Taylor	D34/23
D399,648	S *	10/1998	Hilton	D3/201
5,863,053	A *	1/1999	Berry	280/32.6
D410,577	S *	6/1999	Ciphers, Sr.	D34/17
D427,406	S *	6/2000	Hartwall	D34/23
6,257,152	B1 *	7/2001	Liu	108/53.3
6,398,234	B1 *	6/2002	Brown	280/32.6
D472,358	S *	3/2003	Beese, Jr.	D34/23
D501,591	S *	2/2005	Lucht	D34/12
6,886,787	B2 *	5/2005	Stahl	248/129
6,979,005	B1 *	12/2005	McLerran	280/33.998
D523,201	S *	6/2006	Widmer	D34/12
D547,517	S *	7/2007	Hernandez	D34/23

(Continued)

Primary Examiner — Kelley Donnelly

(74) *Attorney, Agent, or Firm* — Morgan, Lewis & Bockius LLP

(57) **CLAIM**

The ornamental design for a base with wheels for temporary display rack, as shown and described.

DESCRIPTION

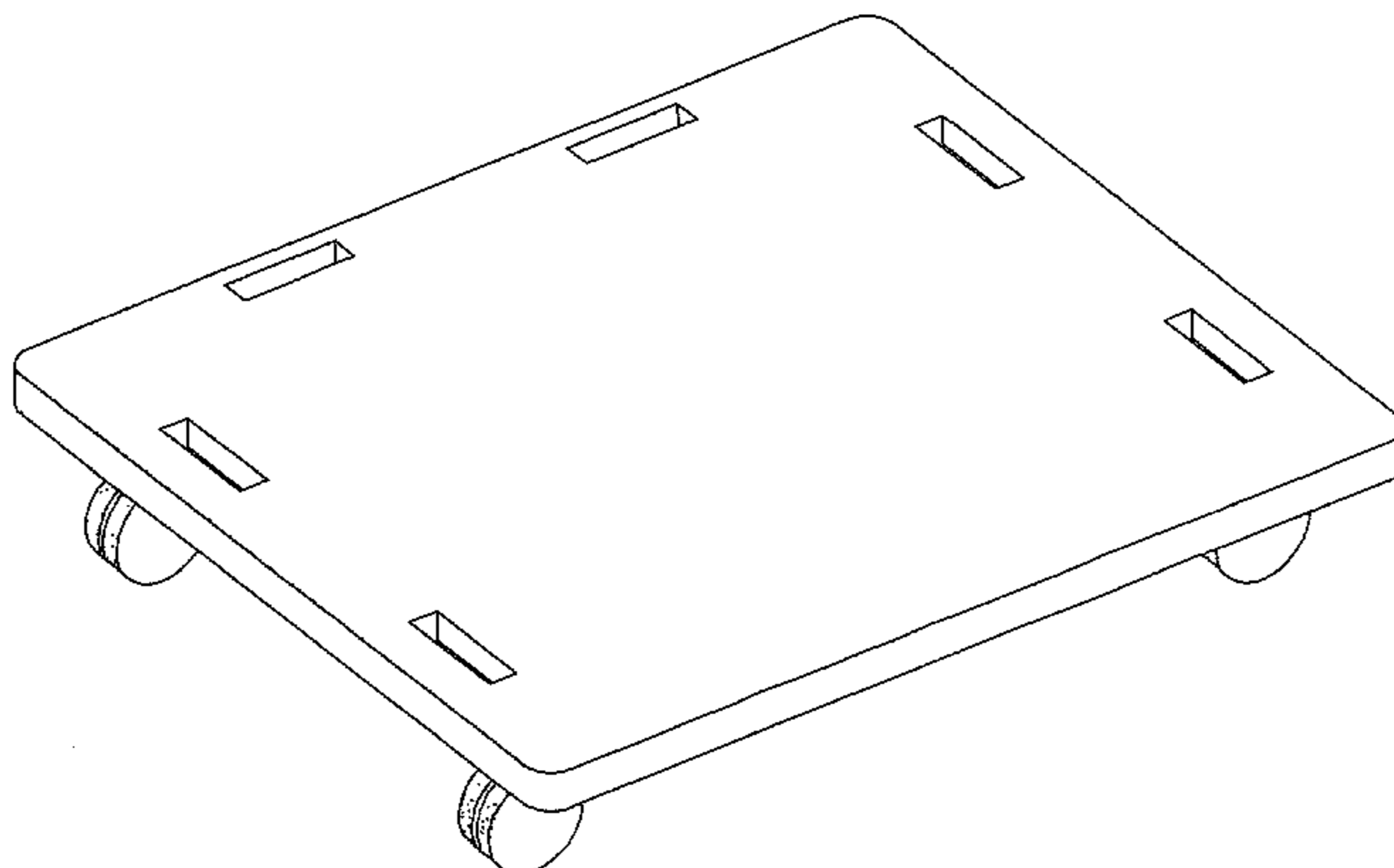
This application is potentially related to the following applications:

U.S. Design application Ser. No. 29/488,838, filed Apr. 23, 2014, entitled Temporary Display Rack, and U.S. Design application Ser. No. 29/488,839, filed Apr. 23, 2014, entitled Temporary Display Rack Flat Kit are hereby incorporated by reference in their entirety.

FIG. 1 is a perspective view of our new design of a base with wheels for temporary display rack;
FIG. 2 is a first side view thereof;
FIG. 3 is a second side view thereof;
FIG. 4 is a third side view thereof;
FIG. 5 is a fourth side view thereof;
FIG. 6 is a top view thereof; and,
FIG. 7 is a bottom view thereof.

The broken lines showing a portion of a wheel in the figures are for illustrative purposes only and form no part of the claimed design.

1 Claim, 5 Drawing Sheets



(56)

References Cited

U.S. PATENT DOCUMENTS

D549,920	S *	8/2007	Dukes	D34/23	D679,466	S *	4/2013	McCullough	D34/17
D594,622	S *	6/2009	Kissun	D34/23	8,544,859	B2 *	10/2013	Itmec et al.	280/79.11
D610,323	S *	2/2010	Saladino	D34/17	D693,159	S *	11/2013	Lidwell et al.	D6/688
D611,219	S *	3/2010	Banasik et al.	D34/23	8,602,443	B2 *	12/2013	Moore et al.	280/651
D620,669	S *	7/2010	Hernandez	D34/23	2003/0205877	A1 *	11/2003	Verna et al.	280/79.11
D626,237	S *	10/2010	Nordgren et al.	D24/185	2005/0151336	A1 *	7/2005	Neuman	280/79.11
D650,545	S *	12/2011	Malone et al.	D34/23	2005/0212242	A1 *	9/2005	Cheng	280/79.11
					2007/0296167	A1 *	12/2007	Beswick et al.	280/47.34
					2011/0156367	A1 *	6/2011	King	280/79.11
					2014/0008884	A1 *	1/2014	Itmec et al.	280/79.11

* cited by examiner

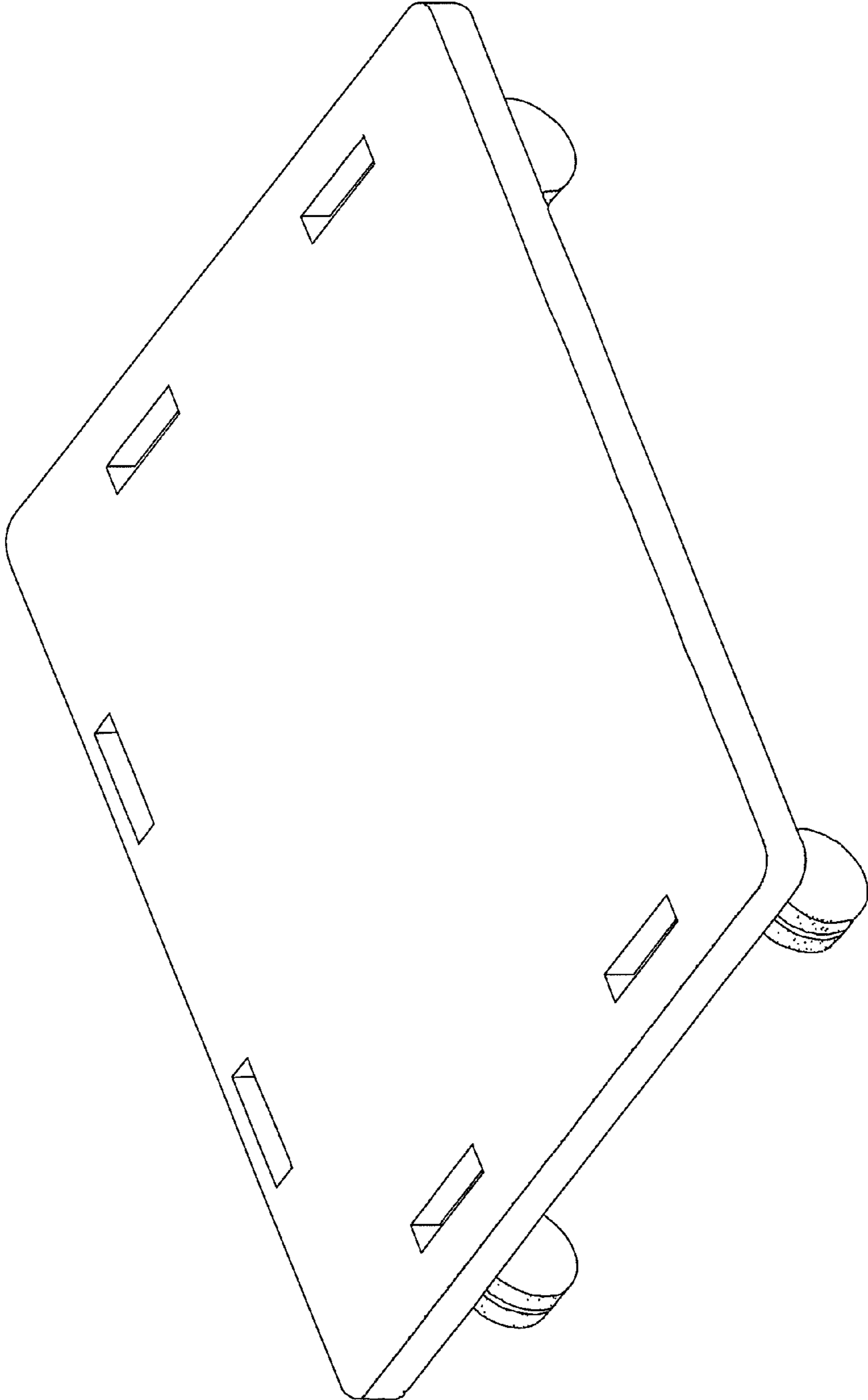


FIG 1

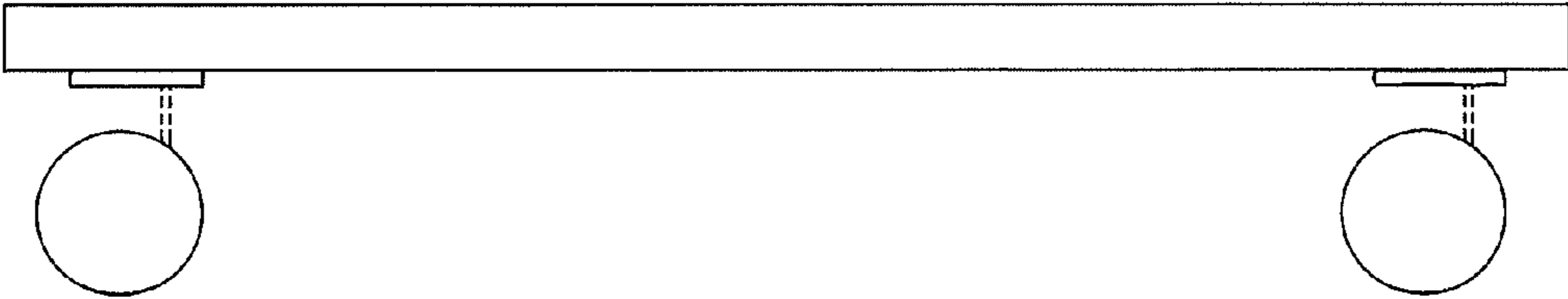


FIG 2

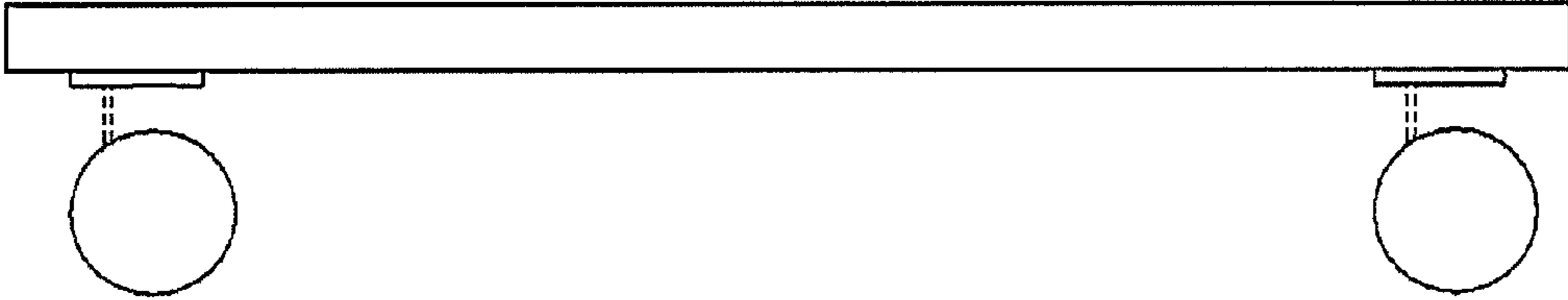


FIG 3

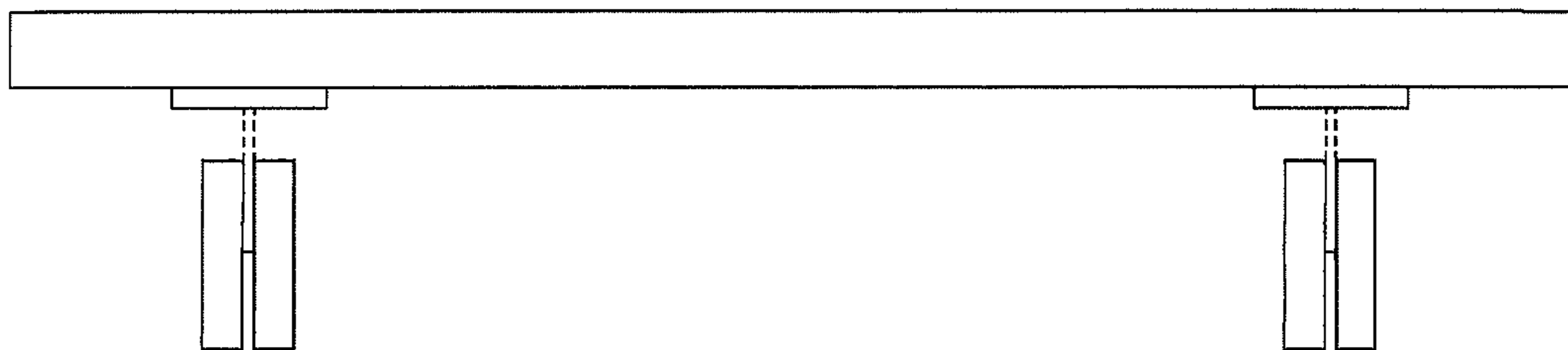


FIG 4

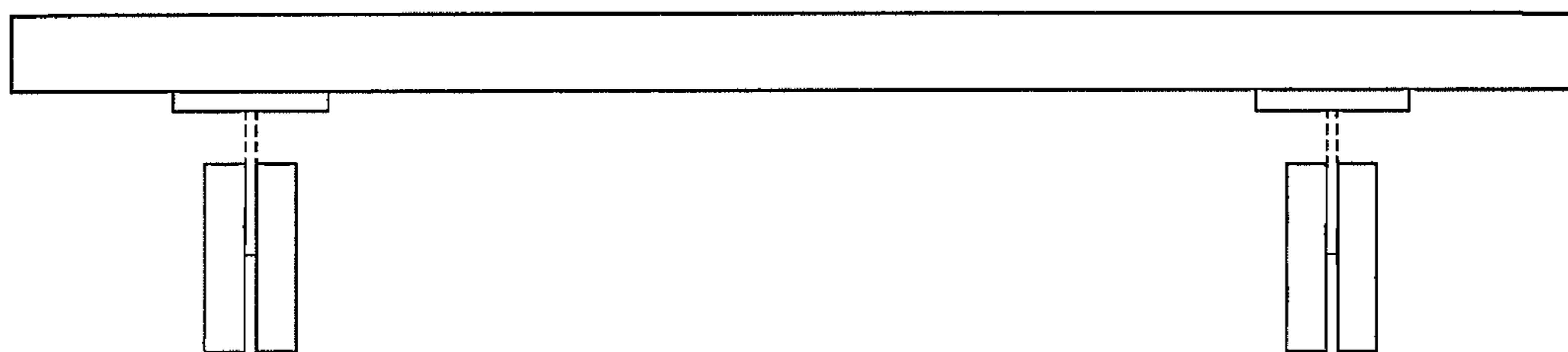


FIG 5

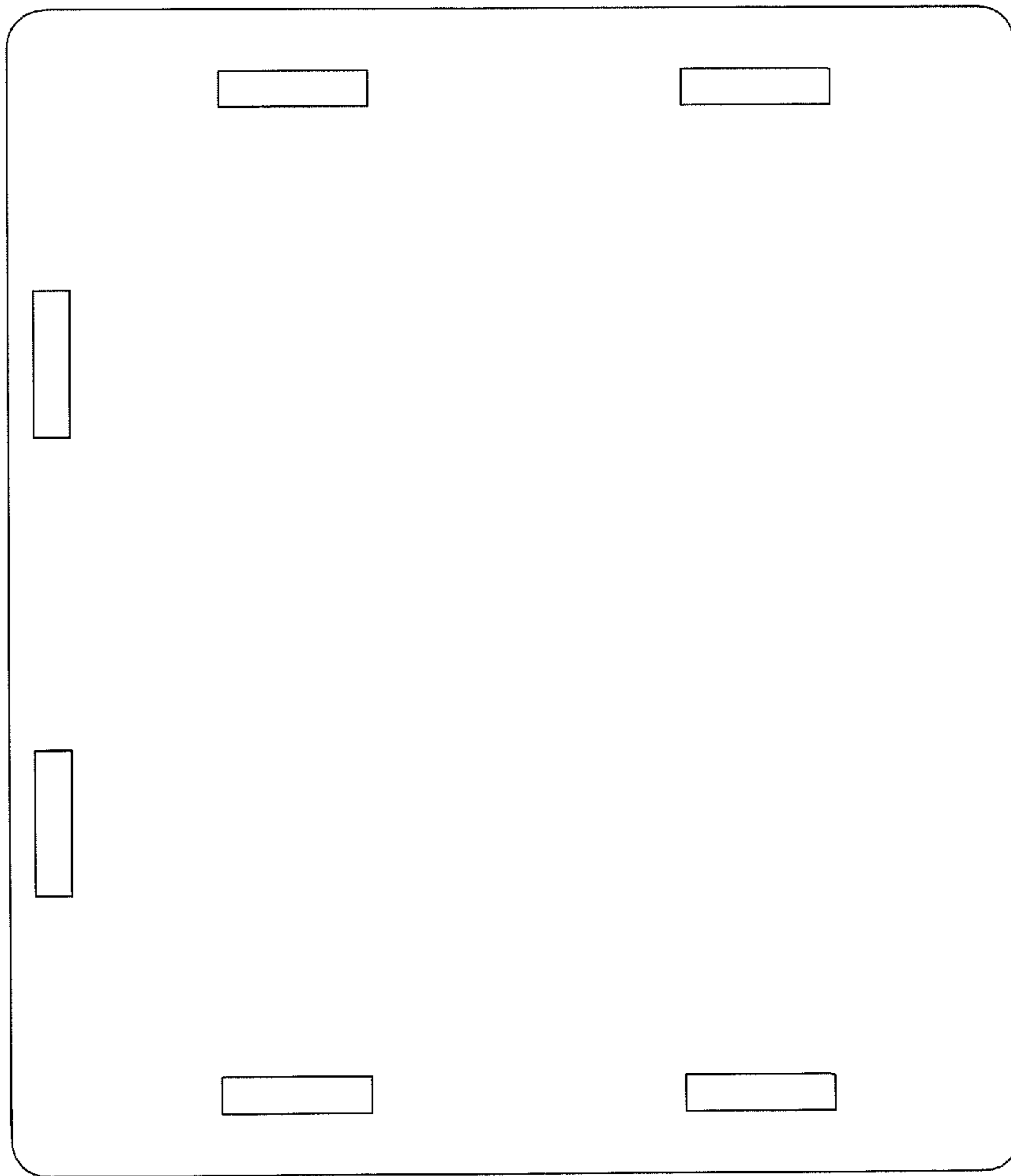


FIG 6

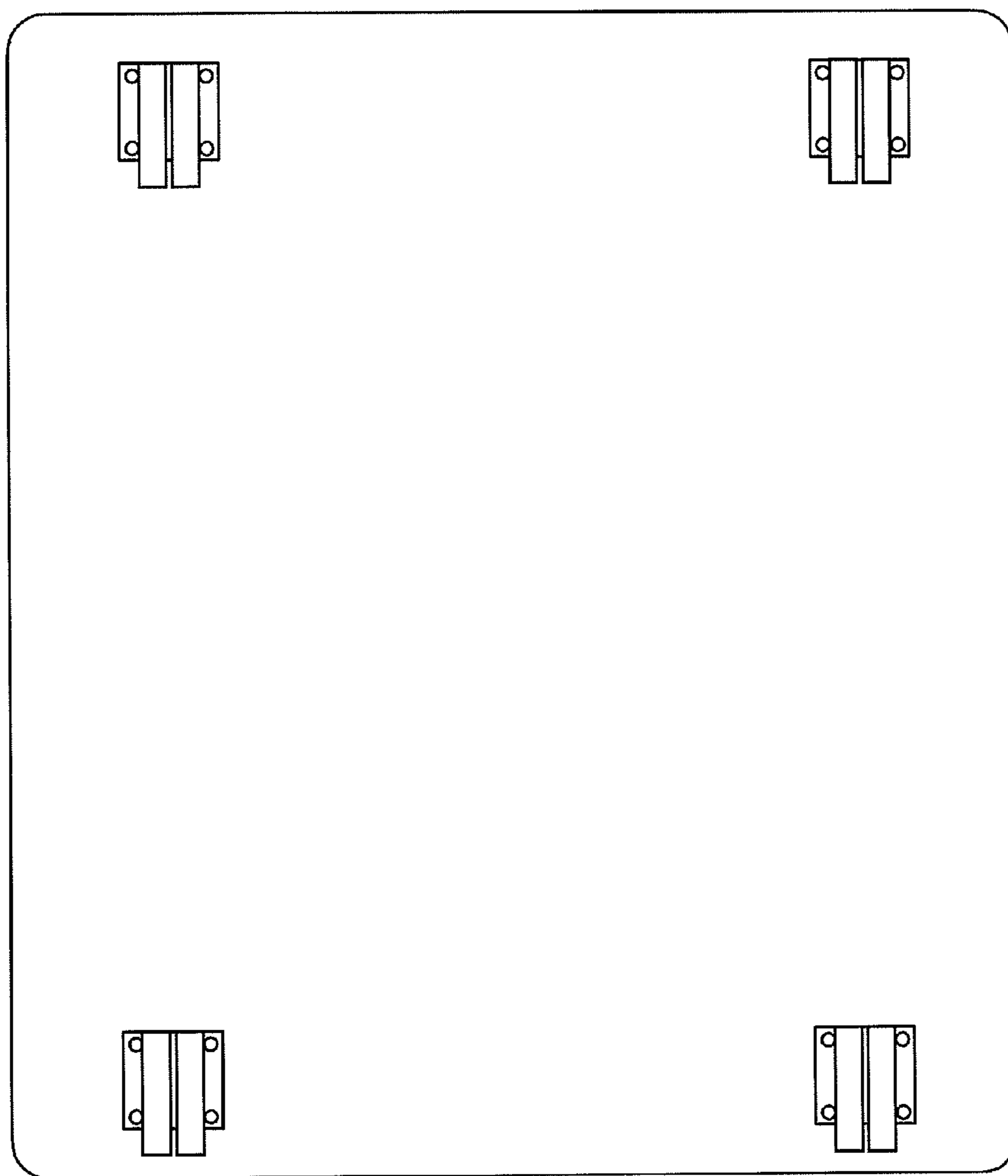


FIG 7