



US00D735505S

(12) **United States Design Patent**
Baraldi et al.

(10) **Patent No.:** **US D735,505 S**

(45) **Date of Patent:** **** Aug. 4, 2015**

(54) **TABLE**

(71) Applicant: **QubicaAMF Worldwide, LLC**,
Mechanicsville, VA (US)

(72) Inventors: **Massimo Baraldi**, Bologna (IT);
Tommaso Parisi, Bologna (IT); **Gian
Luca Ferrari**, Anzola dell'Emilia (IT)

(73) Assignee: **QUBICAAMF WORLDWIDE, LLC**,
Mechanicsville, VA (US)

(**) Term: **14 Years**

(21) Appl. No.: **29/478,743**

(22) Filed: **Jan. 8, 2014**

(51) **LOC (10) Cl.** **06-03**

(52) **U.S. Cl.**

USPC **D6/692**; D6/692.1; D6/690

(58) **Field of Classification Search**

USPC D6/690, 692, 692.1, 692.3, 692.6,
D6/677.1, 691.1

CPC A47B 7/00; A47B 2021/11; A47B 13/00;
A47B 13/02; A47B 13/04; A47B 13/10;
A47B 2200/0003

See application file for complete search history.

(56) **References Cited**

U.S. PATENT DOCUMENTS

D168,688 S * 1/1953 Johnson et al. D6/485
D233,499 S * 11/1974 Sakata D6/686
3,971,327 A * 7/1976 Critchett 108/60
D296,854 S * 7/1988 Kelley et al. D6/692.1

D323,087 S * 1/1992 Burgos D6/696.5
D437,511 S * 2/2001 Boyce D6/690
D527,551 S * 9/2006 Berry et al. D6/687
D552,893 S * 10/2007 Everson D6/692.6
D554,394 S * 11/2007 Jaramillo D6/692.1
8,997,661 B1 * 4/2015 Kilday 108/90

* cited by examiner

Primary Examiner — Janice Seeger

(74) *Attorney, Agent, or Firm* — Andrew M. Calderon;
Roberts Mlotkowski Safran & Cole, P.C.

(57) **CLAIM**

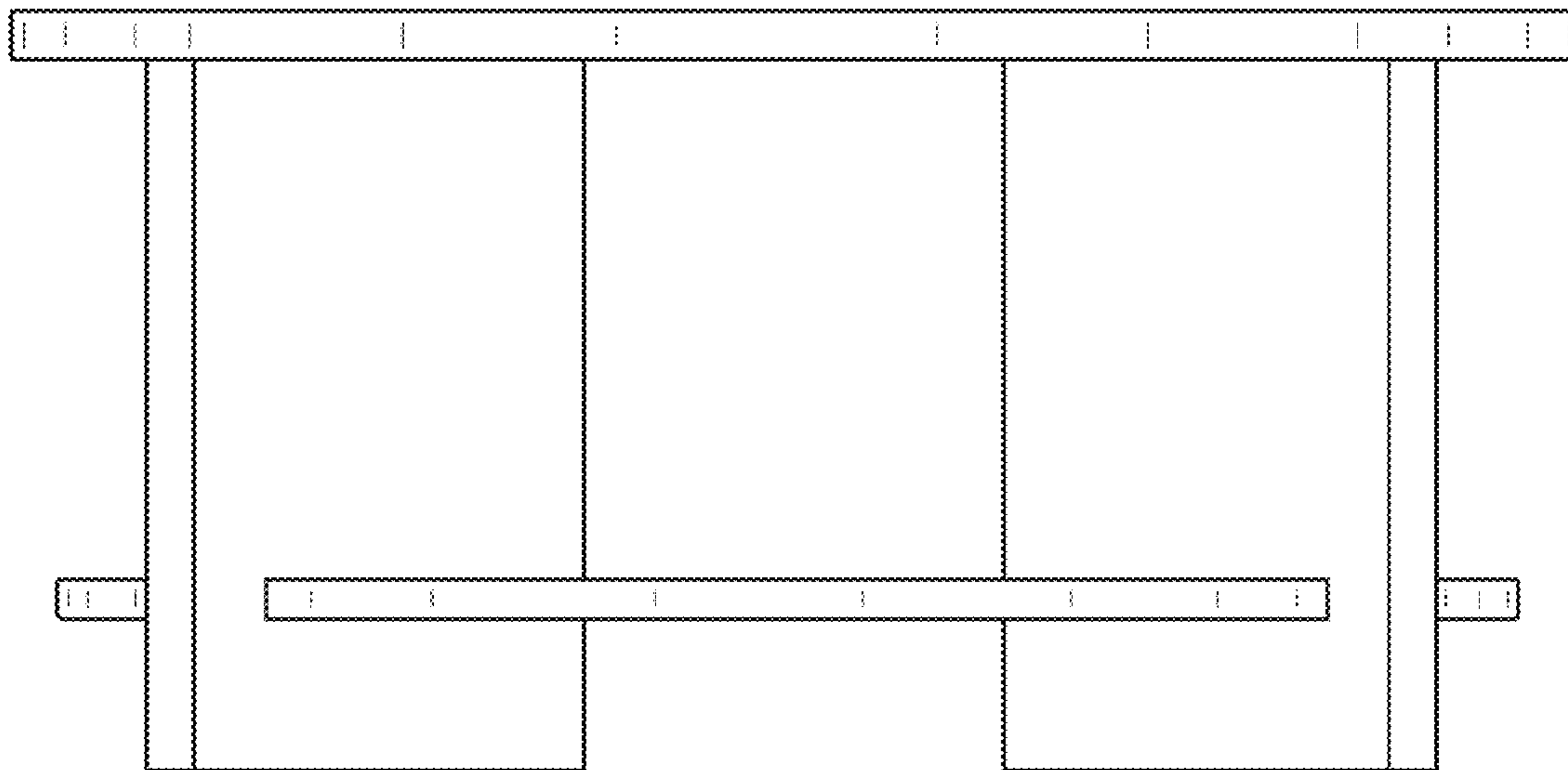
We claim the ornamental design for a table, as shown and described.

DESCRIPTION

FIG. 1 is a side view of a table;
FIG. 2 is a top view of the table;
FIG. 3 is a bottom view of the table;
FIG. 4 is a perspective view of the table;
FIG. 5 is a side view of a second embodiment of the table;
FIG. 6 is a top view of a second embodiment of the table;
FIG. 7 is a bottom view of a second embodiment of the table;
and,
FIG. 8 is a perspective view of a second embodiment of the table.

Applicant notes that the table as shown in FIGS. 1 and 5 can be representative of a front, back, left or right side view of the table. Any surfaces of the design not shown, including interior surfaces, form no part of the claimed invention.

1 Claim, 8 Drawing Sheets



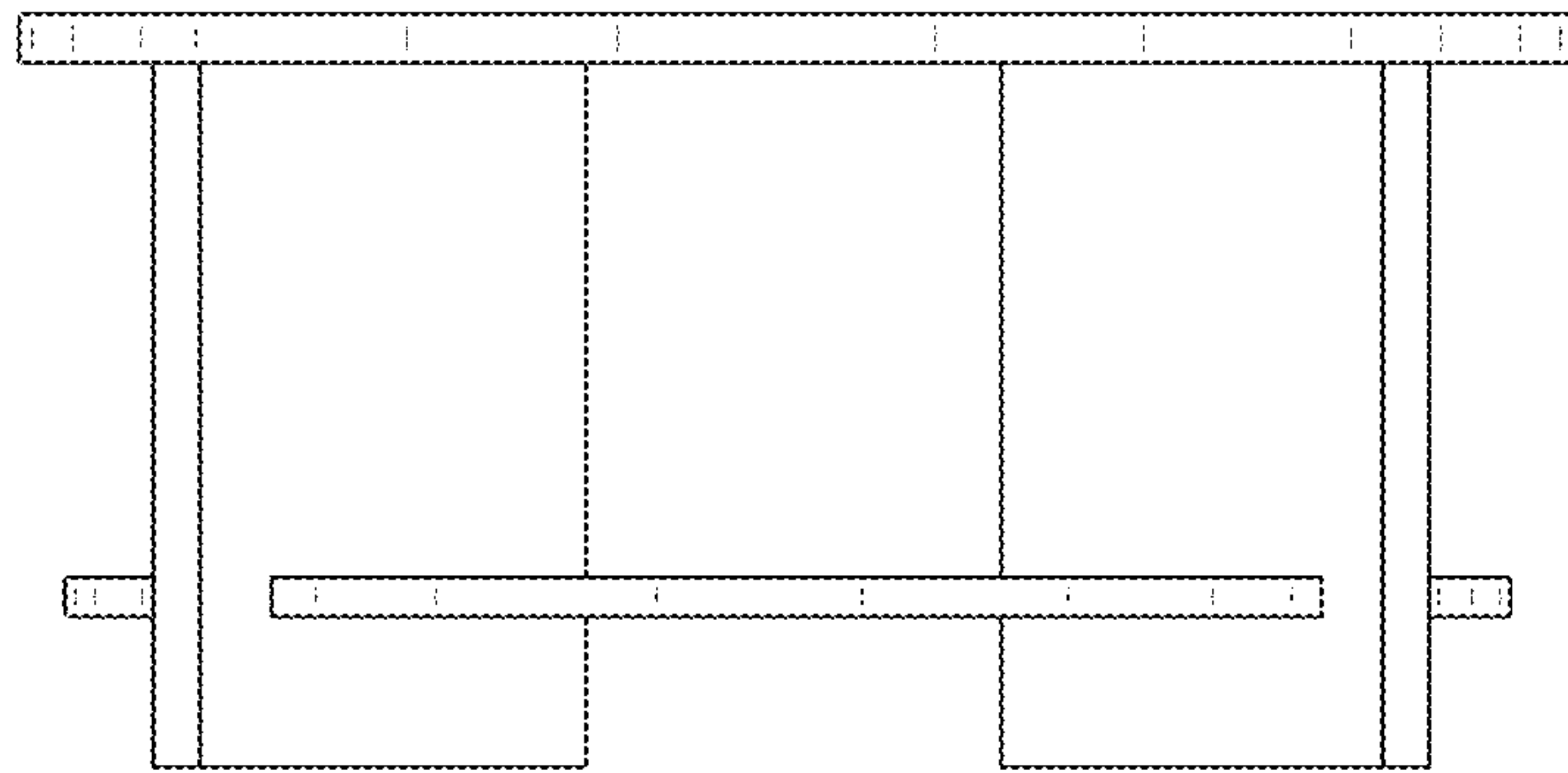


FIG. 1

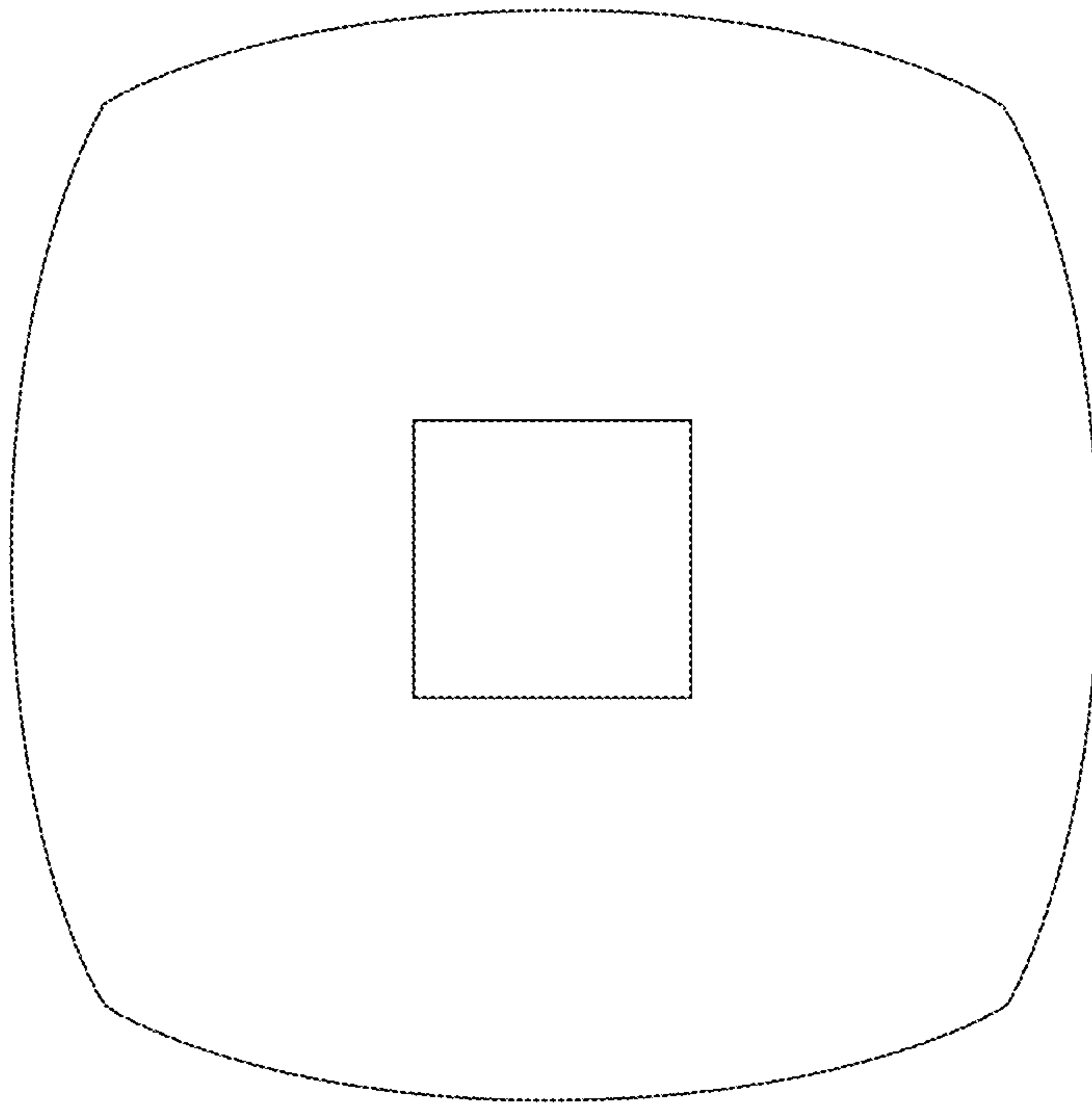


FIG. 2

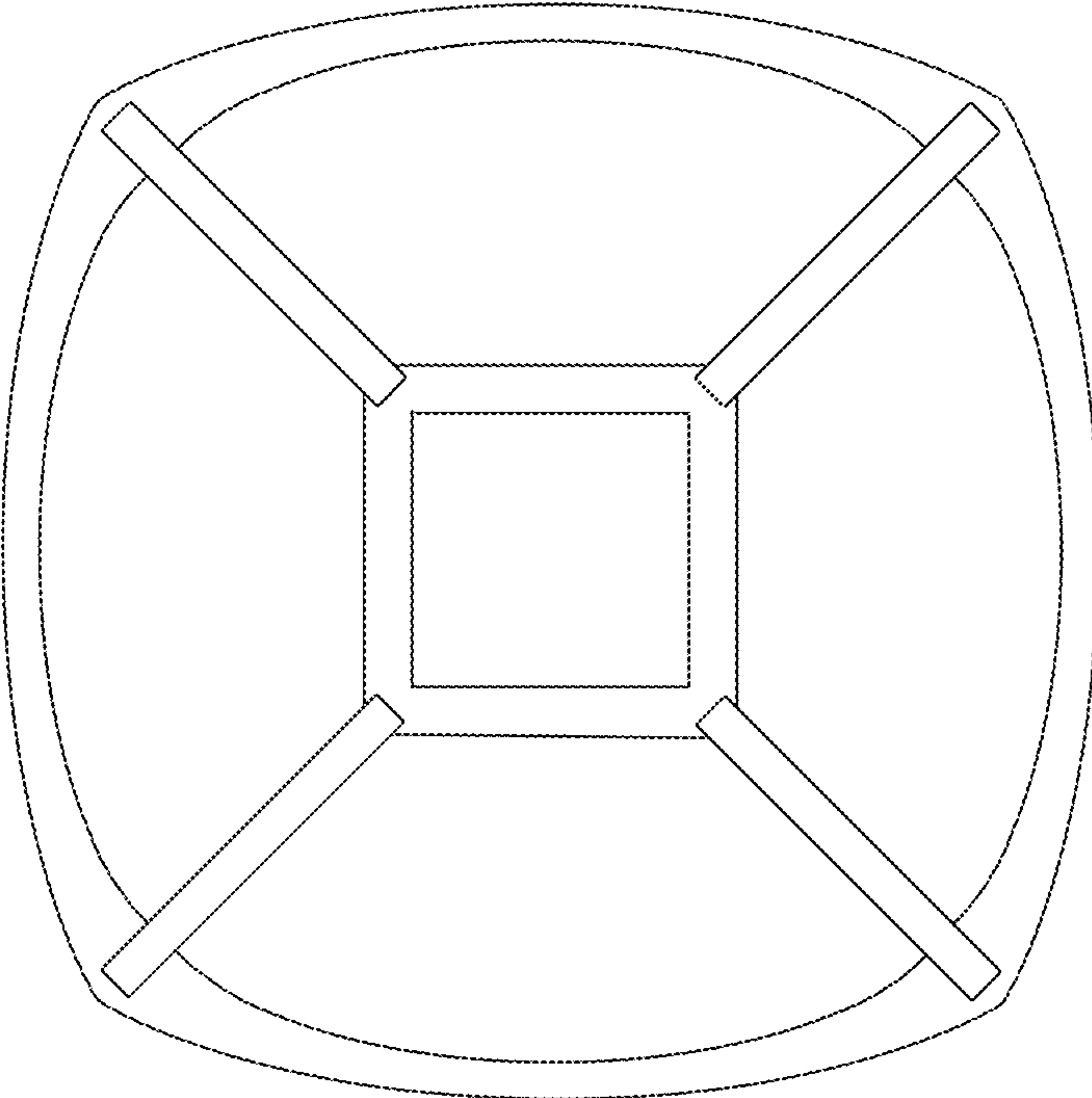


FIG. 3

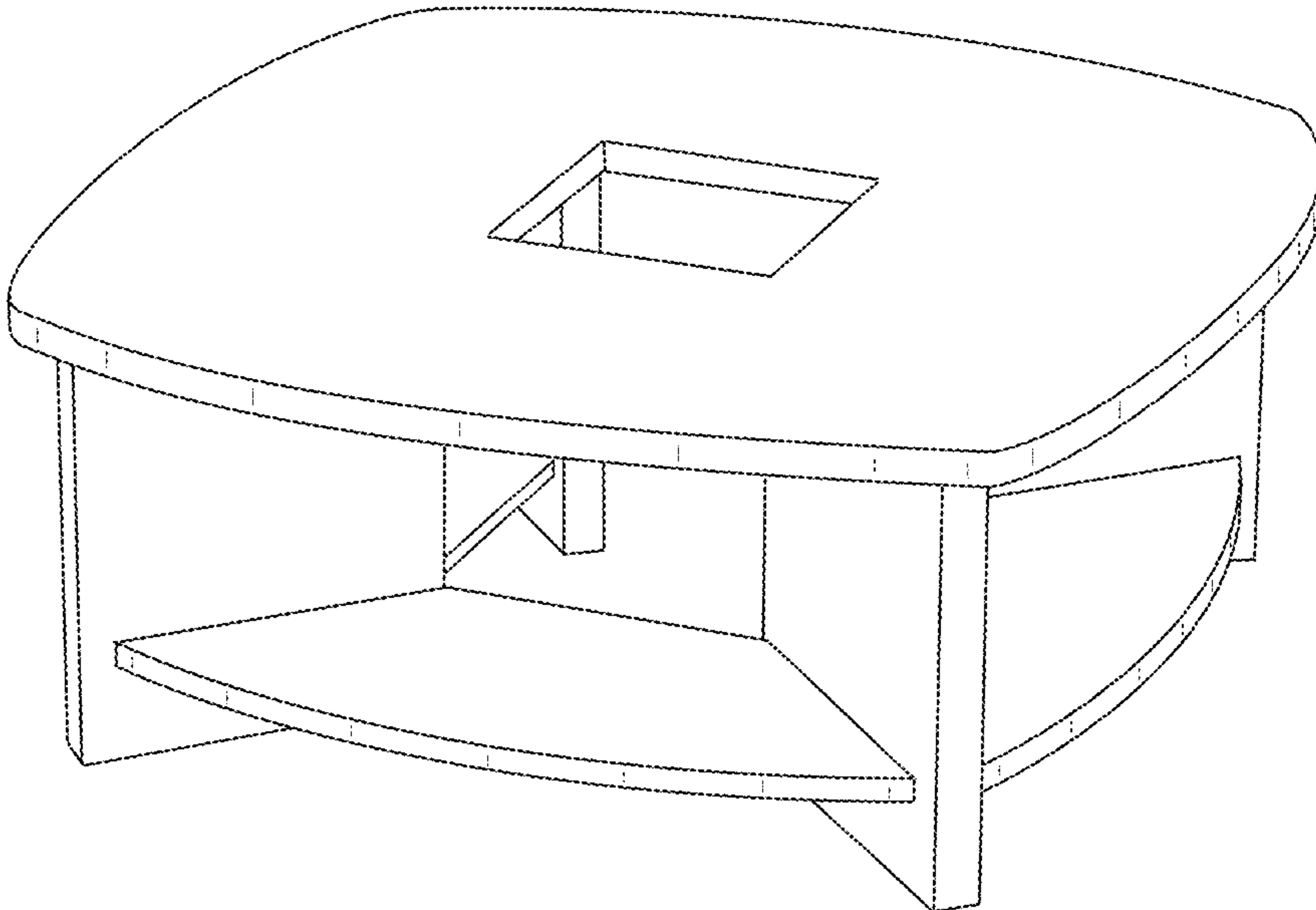


FIG. 4

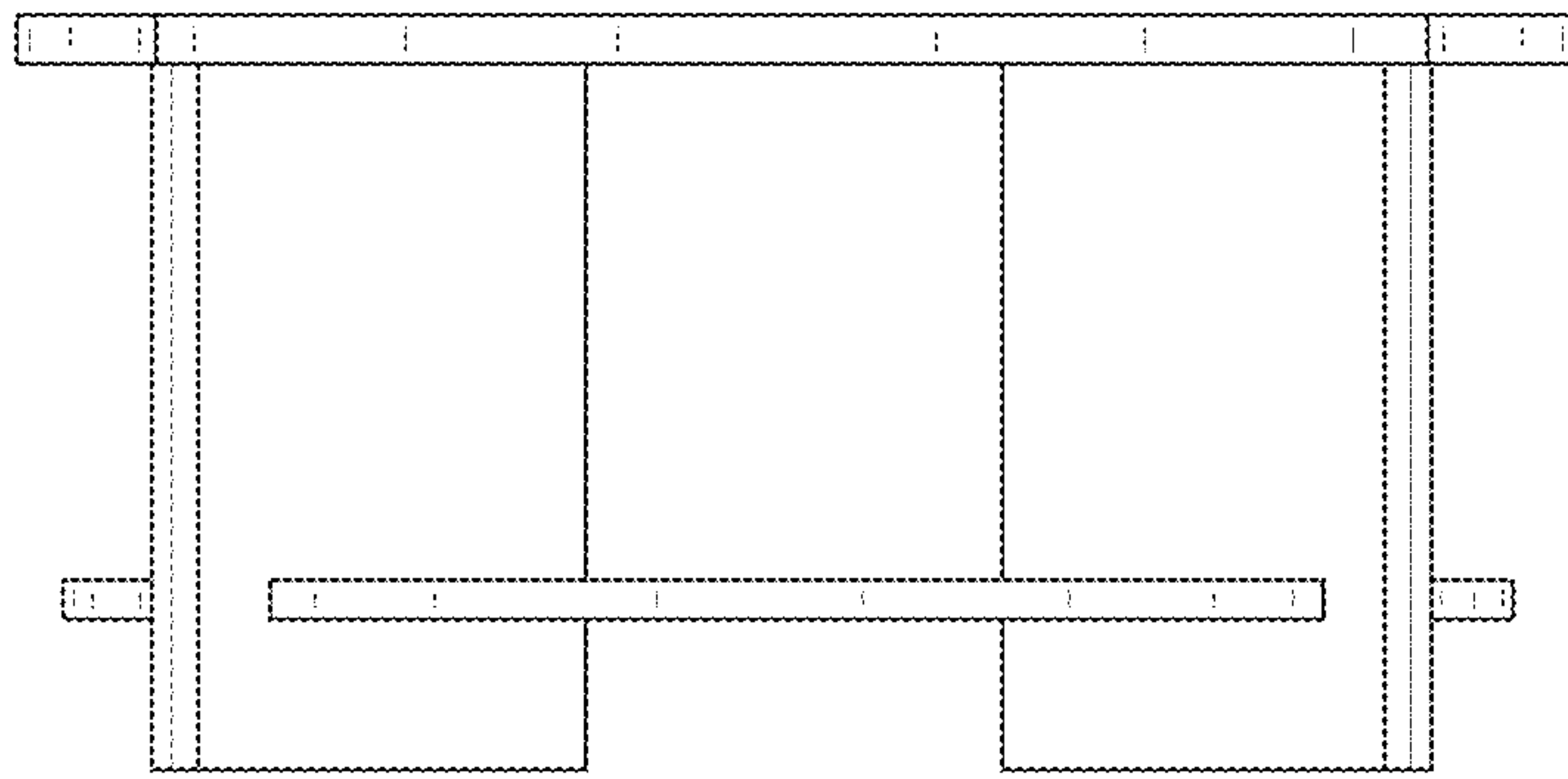


FIG. 5

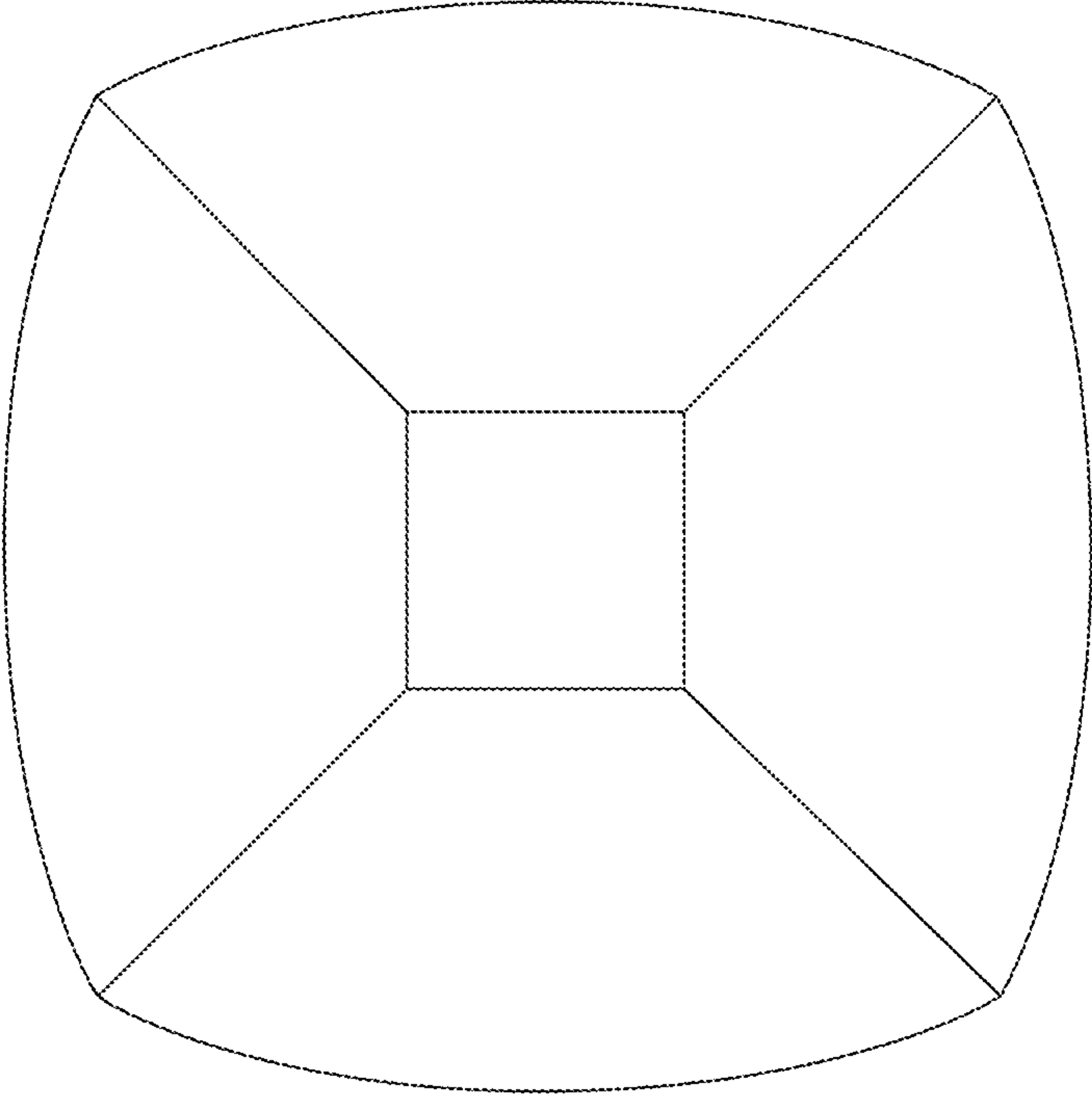


FIG. 6

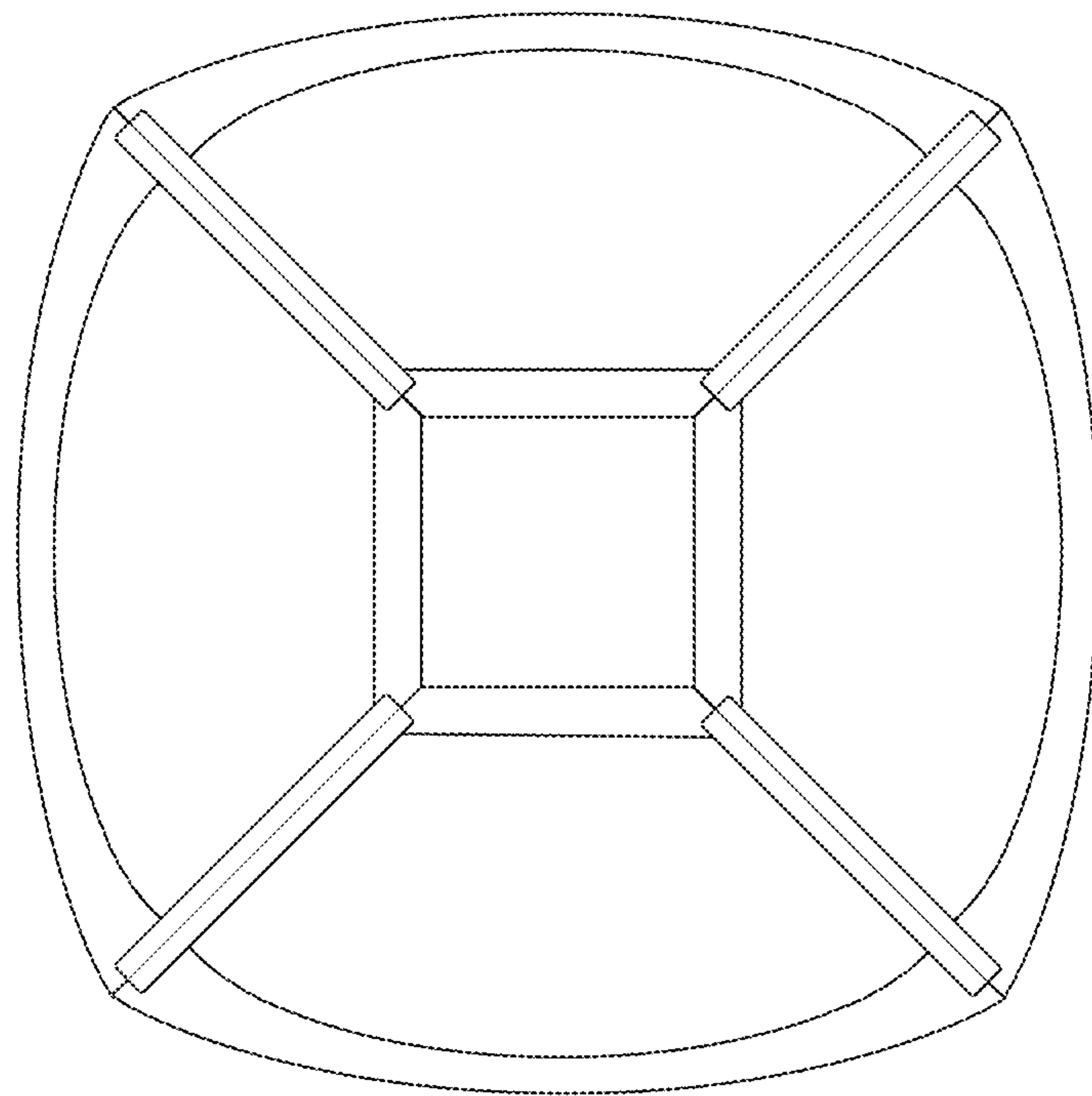


FIG. 7

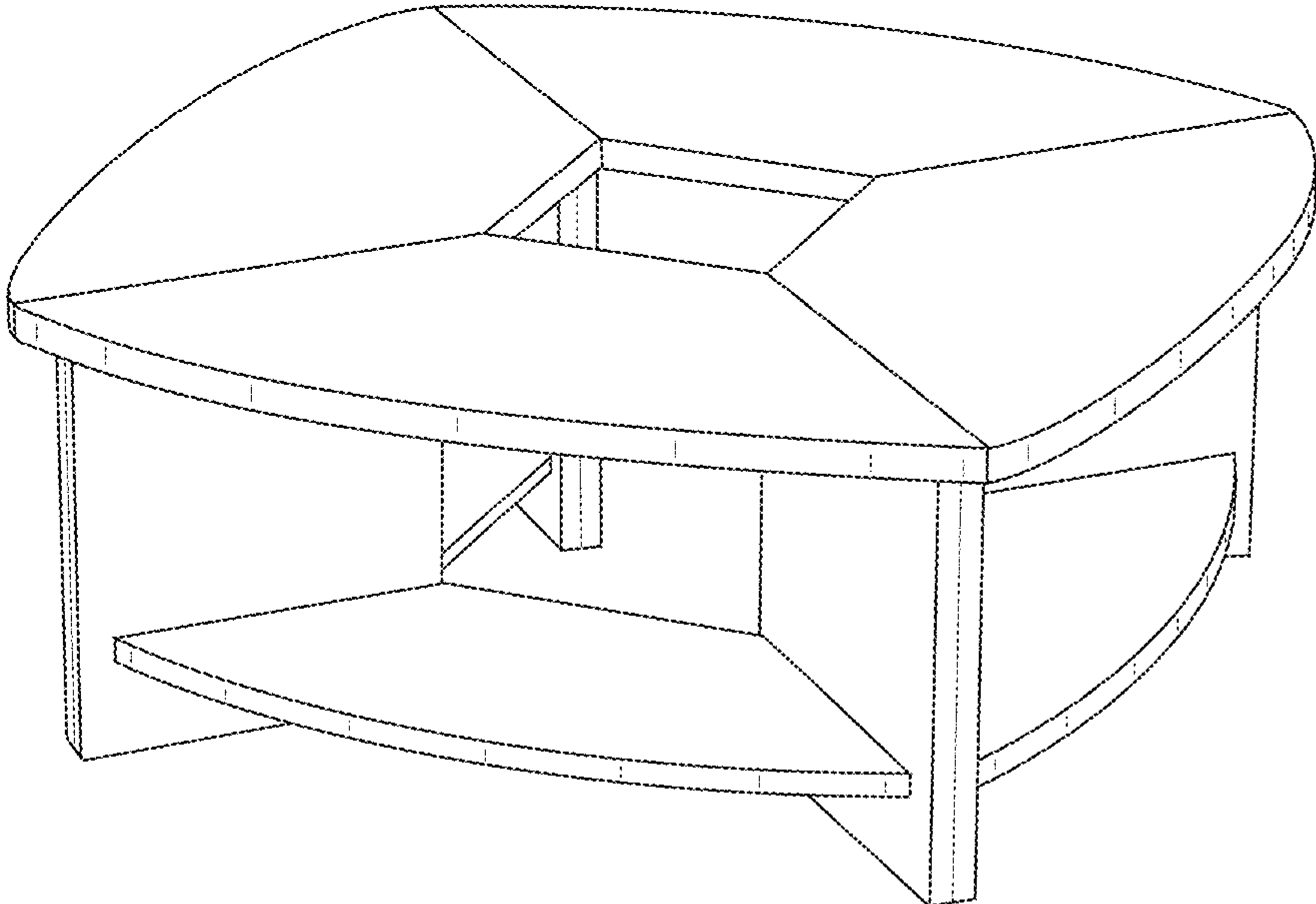


FIG. 8