



US00D735504S

(12) **United States Design Patent**  
**Baraldi et al.**

(10) **Patent No.:** **US D735,504 S**

(45) **Date of Patent:** **\*\* Aug. 4, 2015**

(54) **TABLE**

(71) Applicant: **QubicaAMF Worldwide, LLC**,  
Mechanicsville, VA (US)

(72) Inventors: **Massimo Baraldi**, Bologna (IT);  
**Tommaso Parisi**, Bologna (IT); **Gian  
Luca Ferrari**, Anzola Dell'Emilia (IT)

(73) Assignee: **QUBICAAMF WORLDWIDE, LLC**,  
Mechanicsville, VA (US)

(\*\*) Term: **14 Years**

(21) Appl. No.: **29/478,741**

(22) Filed: **Jan. 8, 2014**

(51) **LOC (10) Cl.** ..... **06-03**

(52) **U.S. Cl.**  
USPC ..... **D6/692; D6/692.1; D6/690**

(58) **Field of Classification Search**  
USPC ..... **D6/690, 692, 692.1, 692.3, 692.6,  
D6/677.1, 691.1**

CPC ..... **A47B 7/00; A47B 2021/11; A47B 13/00;  
A47B 13/02; A47B 13/04; A47B 13/10;  
A47B 2200/0003**

See application file for complete search history.

(56) **References Cited**

**U.S. PATENT DOCUMENTS**

D168,688 S \* 1/1953 Johnson et al. .... D6/485  
3,303,797 A \* 2/1967 Mueller ..... 108/63

3,971,327 A \* 7/1976 Critchett ..... 108/60  
D323,087 S \* 1/1992 Burgos ..... D6/696.5  
D527,551 S \* 9/2006 Berry et al. .... D6/687  
D552,893 S \* 10/2007 Everson ..... D6/692.6  
D554,394 S \* 11/2007 Jaramillo ..... D6/692.1  
8,997,661 B1 \* 4/2015 Kilday ..... 108/90

\* cited by examiner

*Primary Examiner* — Janice Seeger

(74) *Attorney, Agent, or Firm* — Andrew M. Calderon;  
Roberts Mlotkowski Safran & Cole, P.C.

(57) **CLAIM**

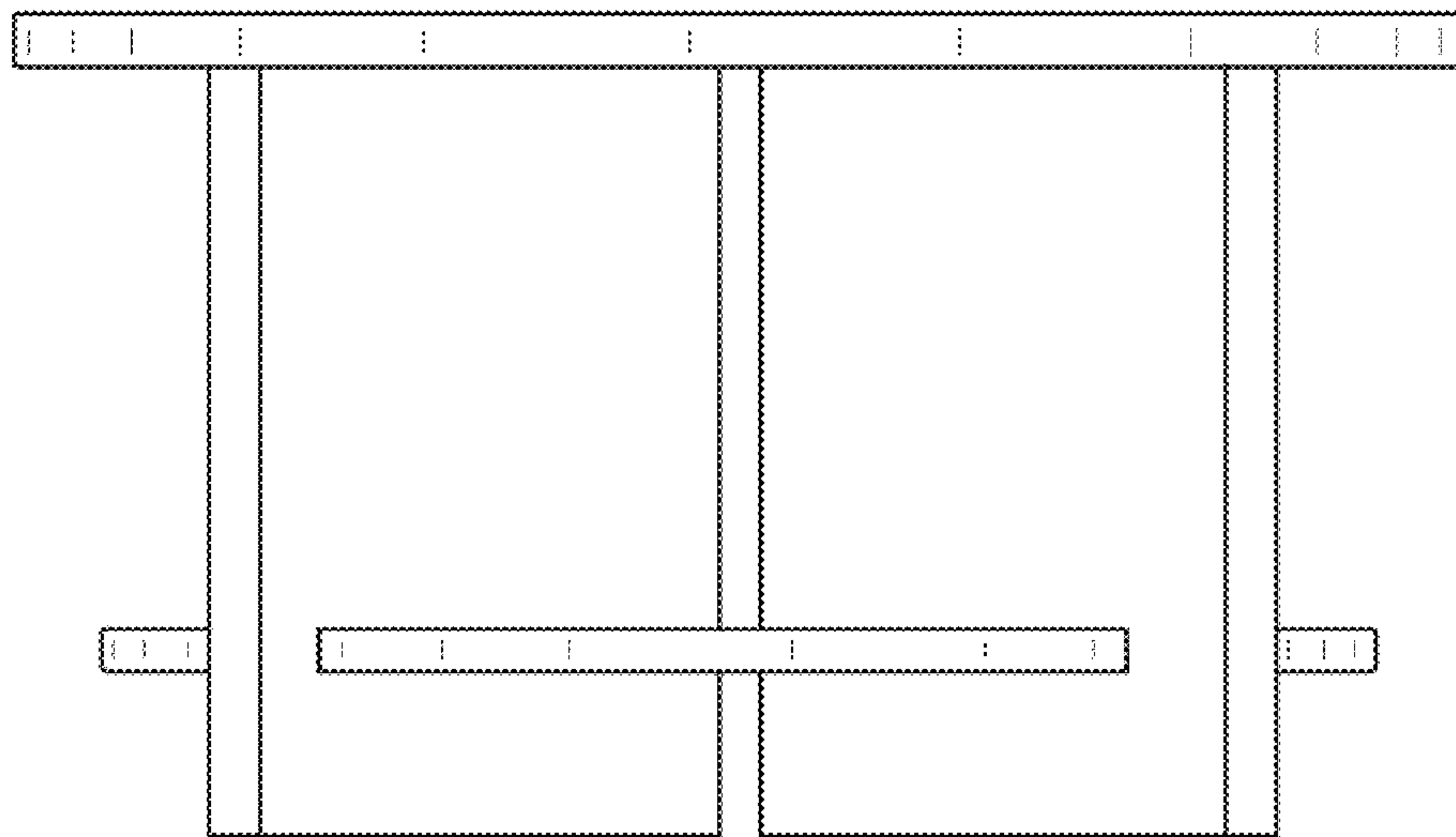
We claim the ornamental design for a table, as shown and described.

**DESCRIPTION**

FIG. 1 is a side view of a table;  
FIG. 2 is a top view of the table;  
FIG. 3 is a bottom view of the table;  
FIG. 4 is a perspective view of the table;  
FIG. 5 is a side view of a second embodiment of the table;  
FIG. 6 is a top view of a second embodiment of the table;  
FIG. 7 is a bottom view of a second embodiment of the table;  
and,  
FIG. 8 is a perspective view of a second embodiment of the table.

Applicant notes that the table as shown in FIGS. 1 and 5 can be representative of a front, back, left or right side view of the table. Any surfaces of the design not shown, including interior surfaces, form no part of the claimed invention.

**1 Claim, 8 Drawing Sheets**



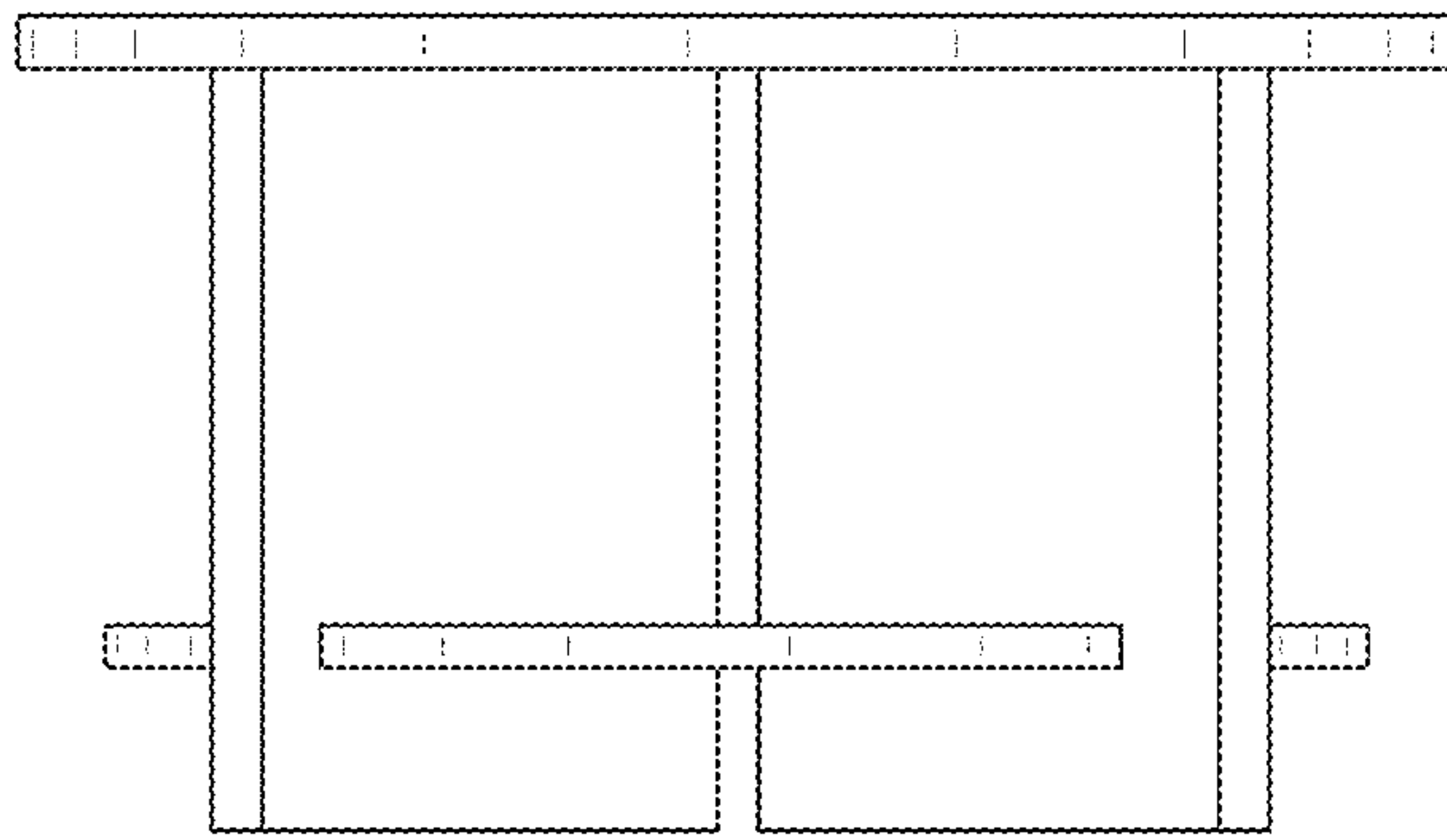
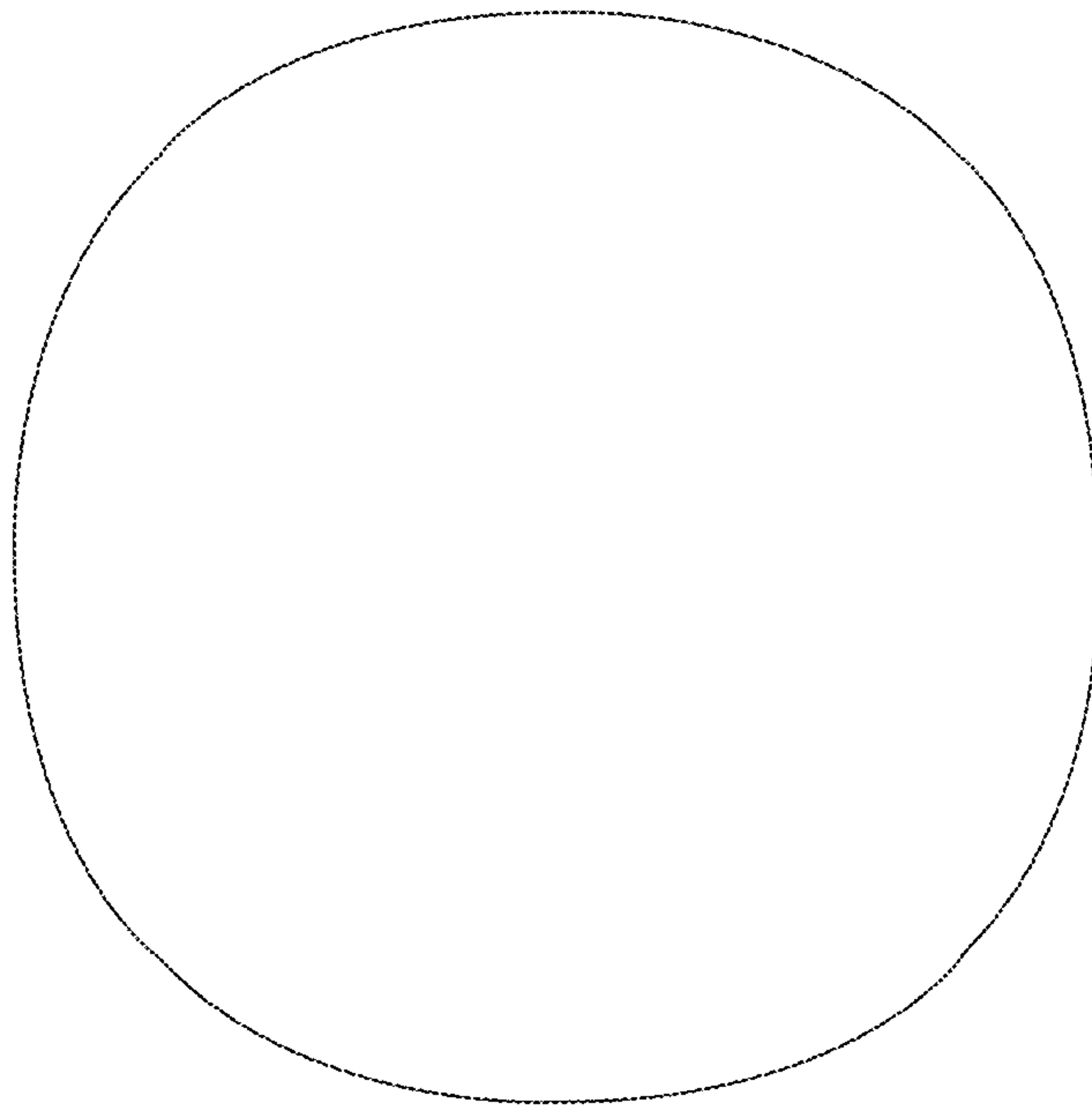


FIG. 1



**FIG. 2**

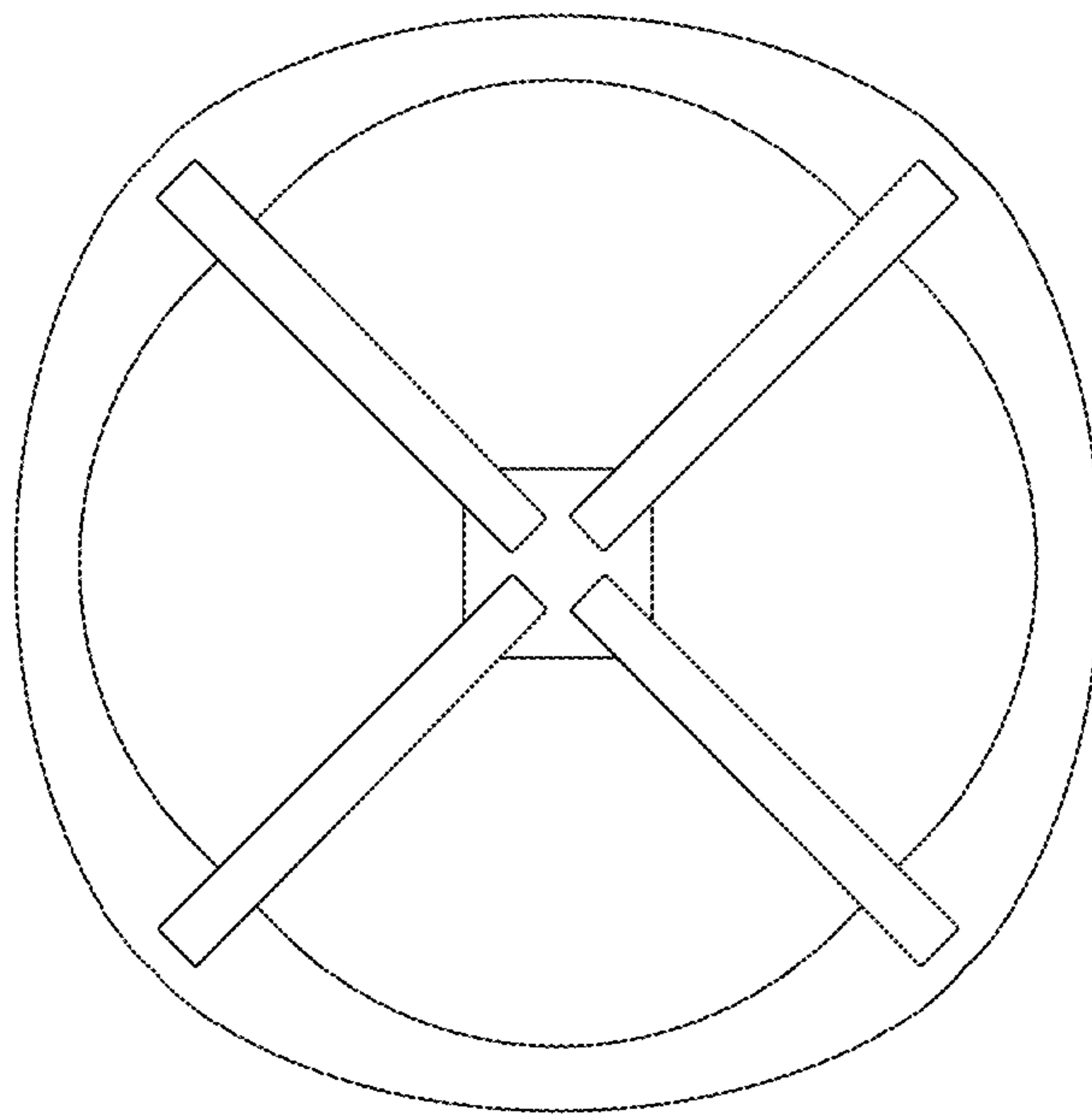


FIG. 3

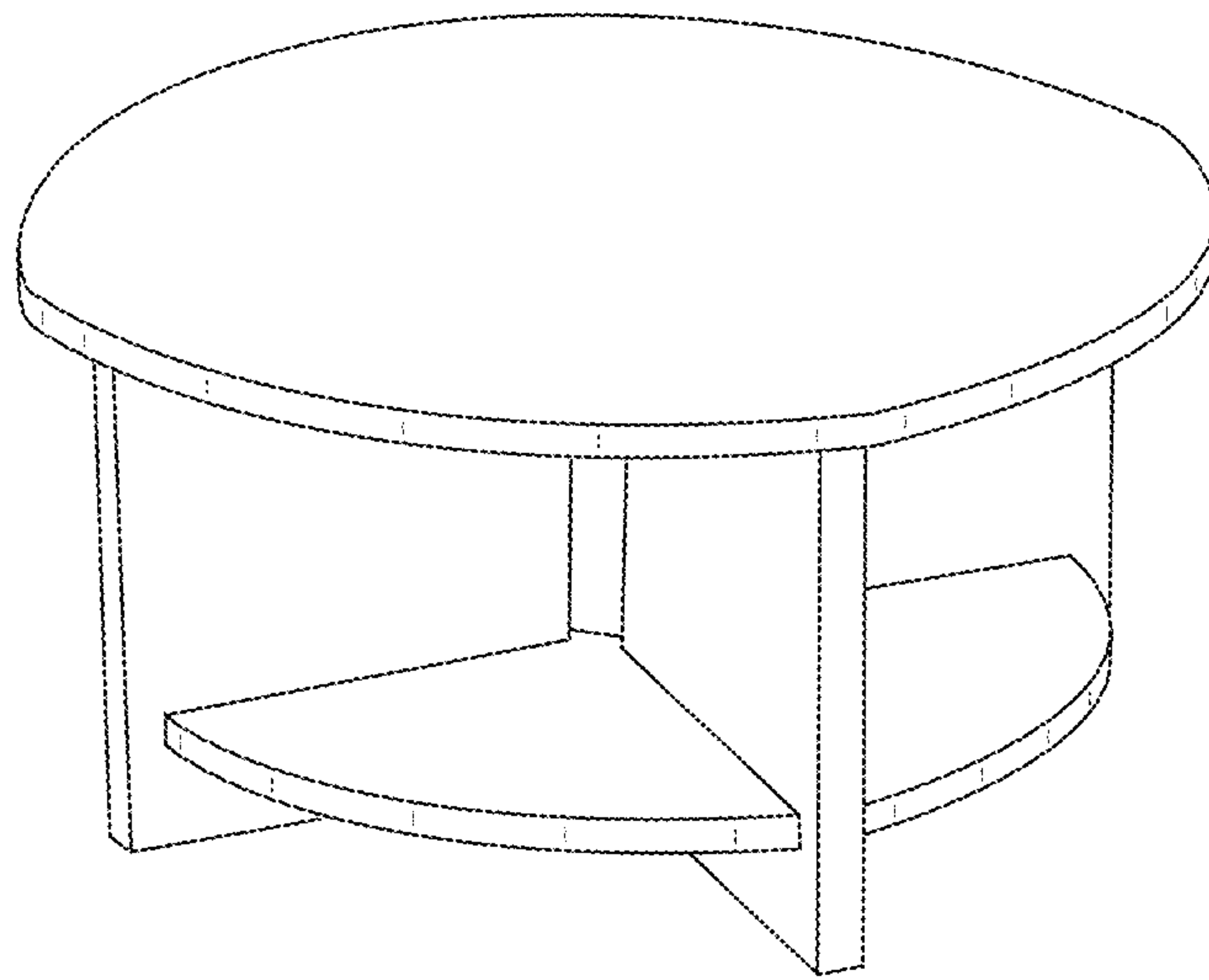


FIG. 4

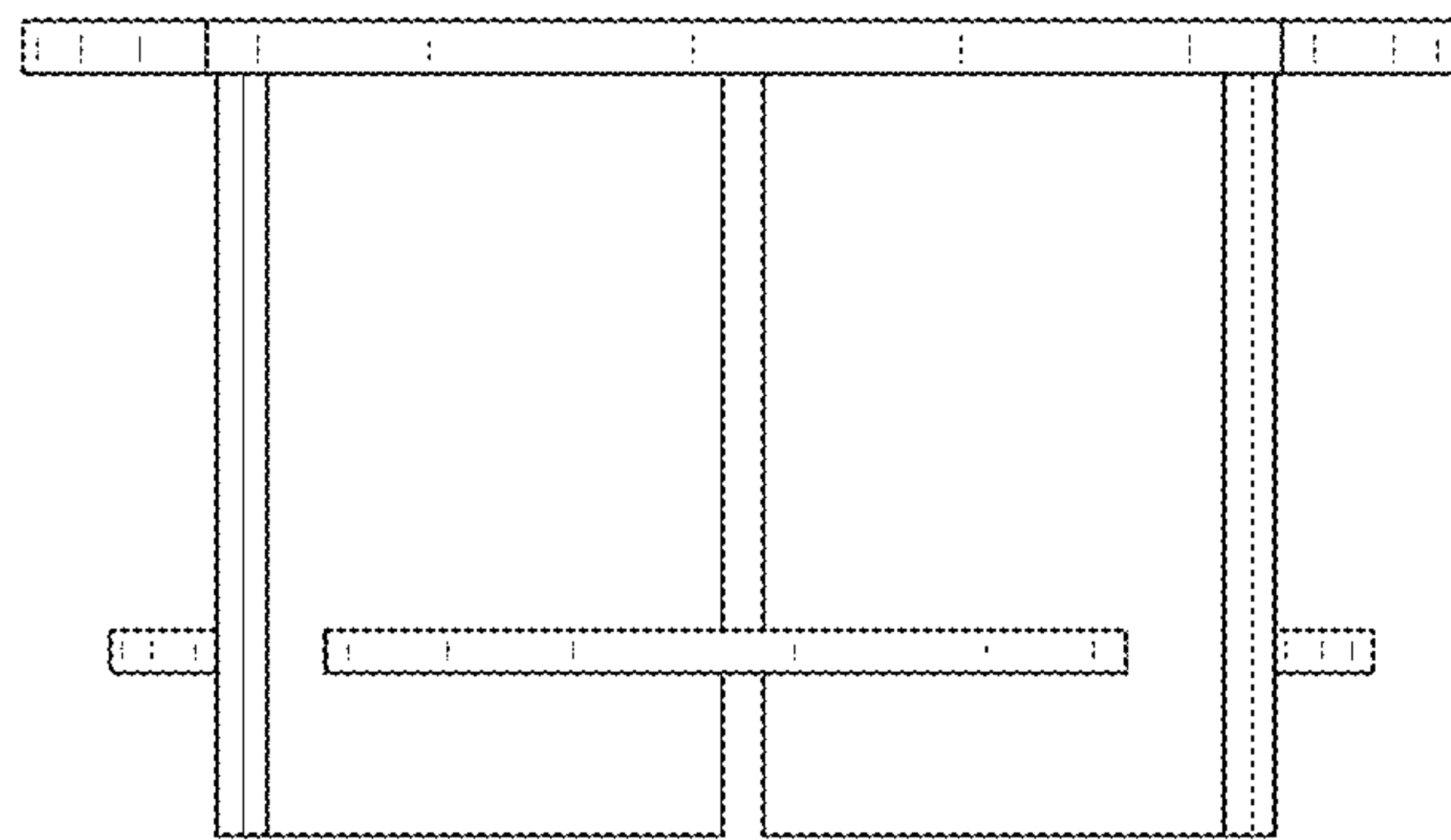


FIG. 5

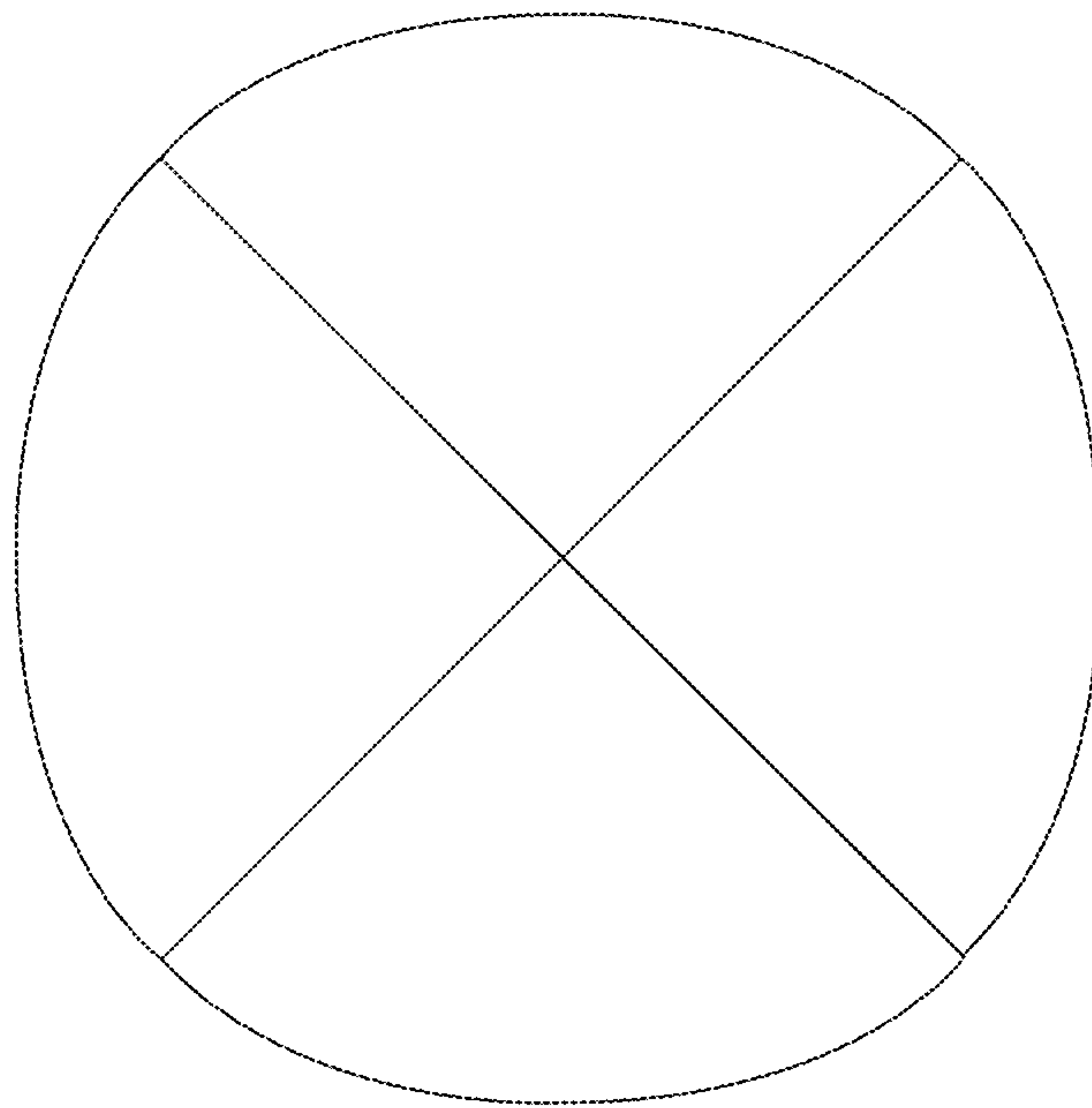


FIG. 6

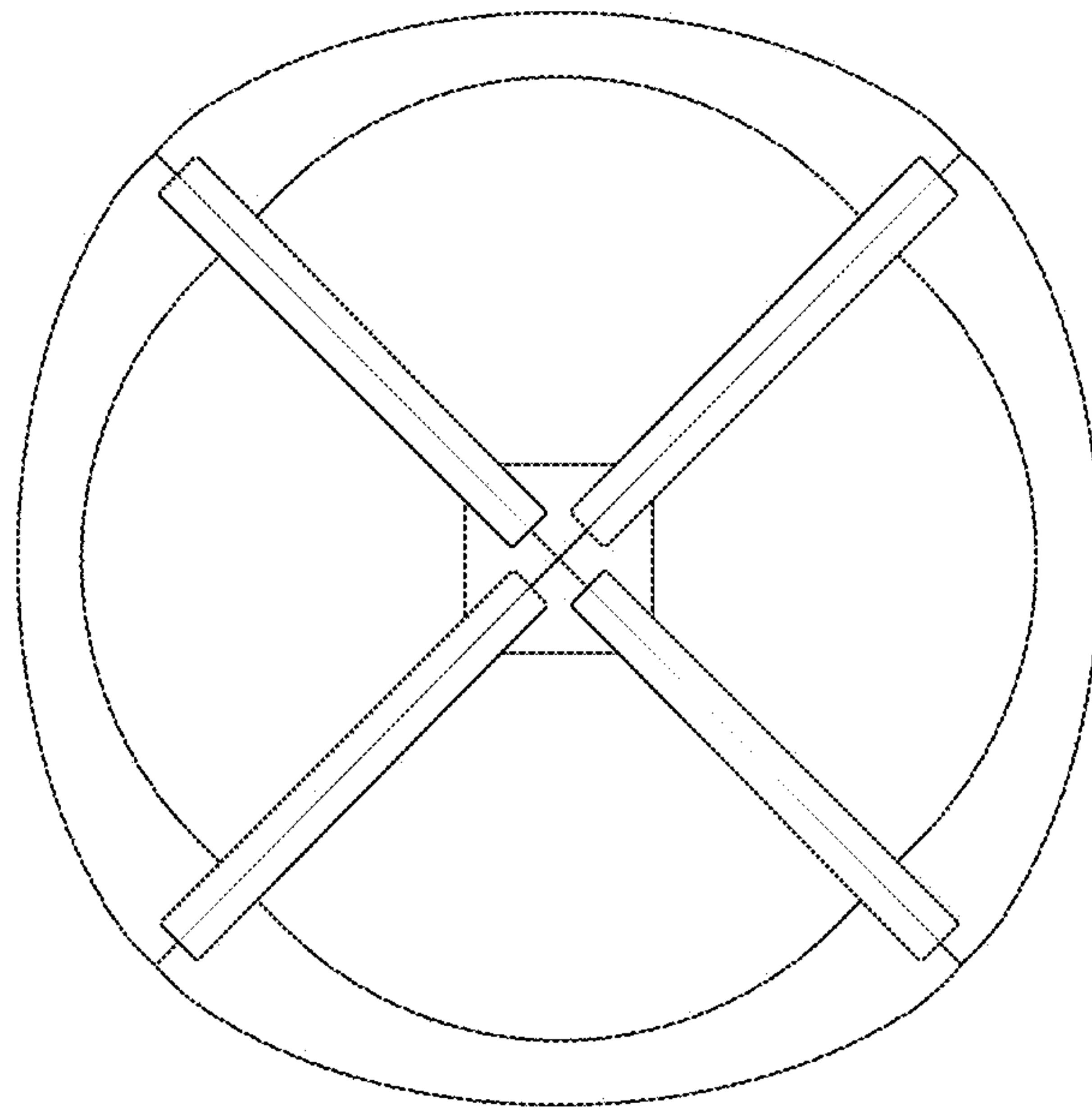


FIG. 7



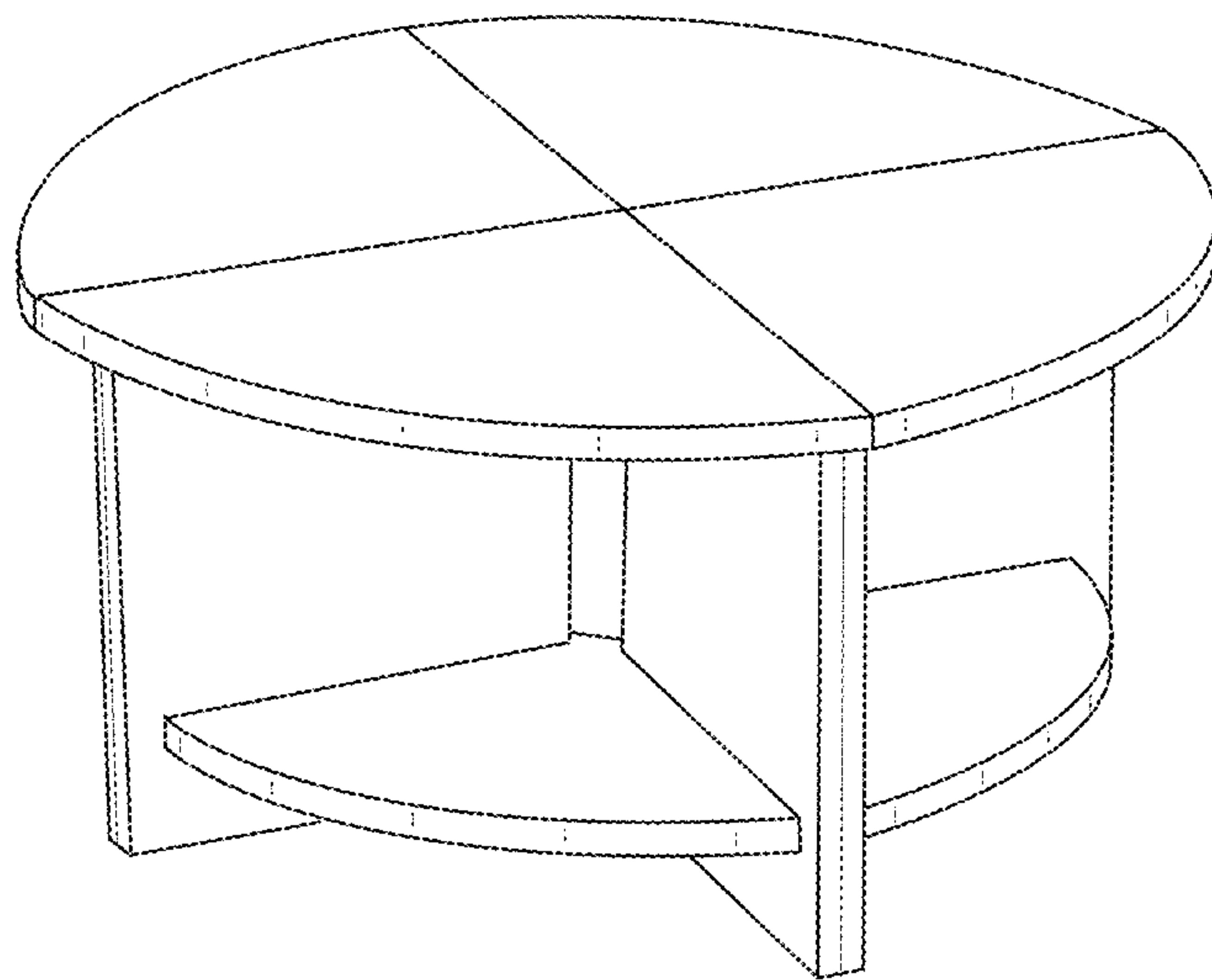


FIG. 8