



US00D735503S

(12) **United States Design Patent**
Okuno-Jones et al.

(10) **Patent No.:** **US D735,503 S**

(45) **Date of Patent:** **** Aug. 4, 2015**

(54) **DUAL CHAMBER RESERVOIR**

(56) **References Cited**

(71) Applicants: **Susan K. Okuno-Jones**, Buffalo Grove, IL (US); **Jon Jones**, Buffalo Grove, IL (US)

U.S. PATENT DOCUMENTS

6,545,193 B1 * 4/2003 Morgenstern 128/876
D510,527 S * 10/2005 Tune D9/684
D695,130 S * 12/2013 Revivo D9/684

(72) Inventors: **Susan K. Okuno-Jones**, Buffalo Grove, IL (US); **Jon Jones**, Buffalo Grove, IL (US)

* cited by examiner

Primary Examiner — Brian N Vinson
(74) *Attorney, Agent, or Firm* — Dale J. Ream

(**) Term: **14 Years**

(57) **CLAIM**

The ornamental design for a dual chamber reservoir, as shown and described.

(21) Appl. No.: **29/457,724**

DESCRIPTION

(22) Filed: **Jun. 12, 2013**

(51) **LOC (10) Cl.** **09-01**

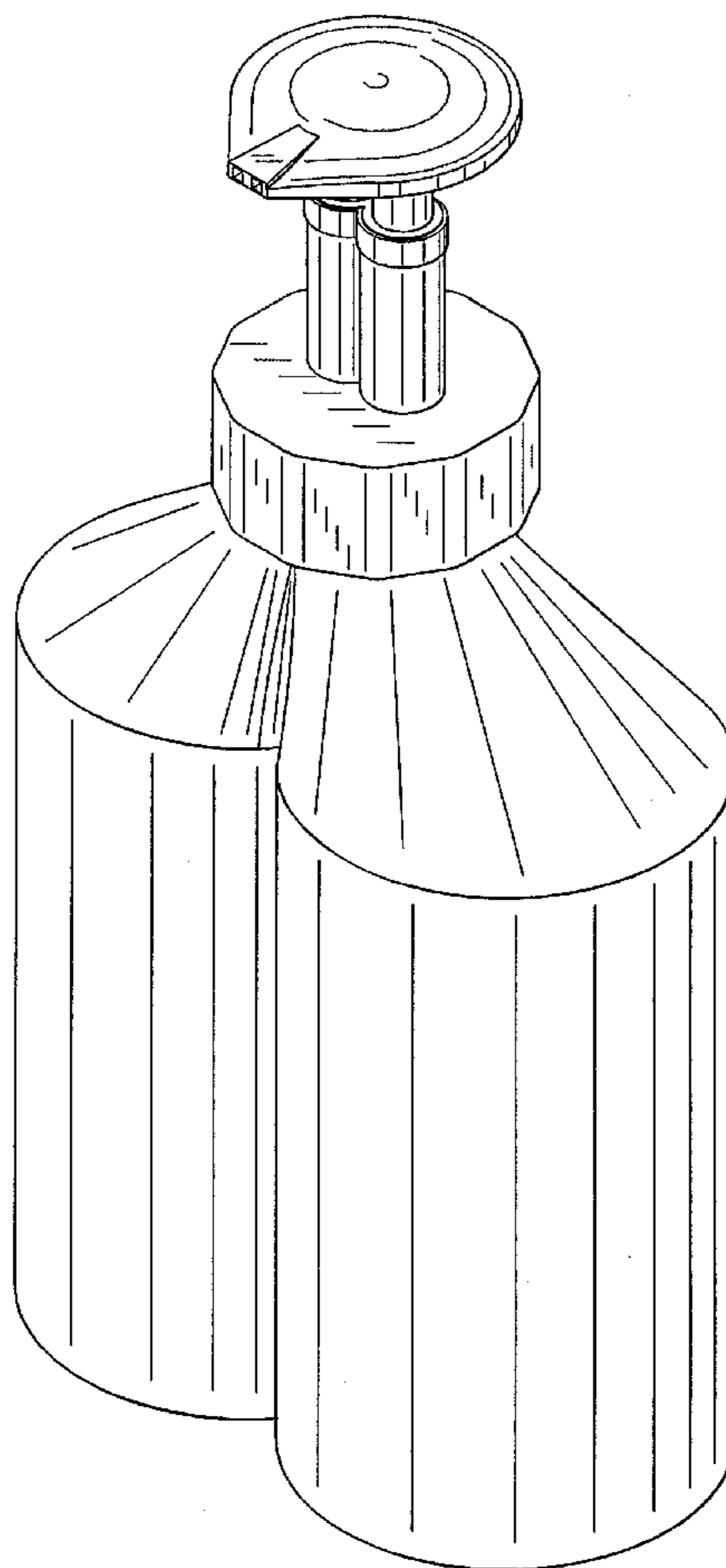
(52) **U.S. Cl.**
USPC **D6/684**

(58) **Field of Classification Search**
USPC D9/682, 684, 685; D6/542, 545, 544
CPC B65D 81/00; B67D 1/00; G01F 1/00;
B05B 7/00; B05B 7/24; B05B 7/2402

FIG. 1 is a perspective view of a dual chamber reservoir showing our new design;
FIG. 2 is a front view thereof;
FIG. 3 is a back view thereof;
FIG. 4 is a left side view thereof;
FIG. 5 is a right side view thereof;
FIG. 6 is a top view thereof; and,
FIG. 7 is a bottom view thereof.

See application file for complete search history.

1 Claim, 5 Drawing Sheets



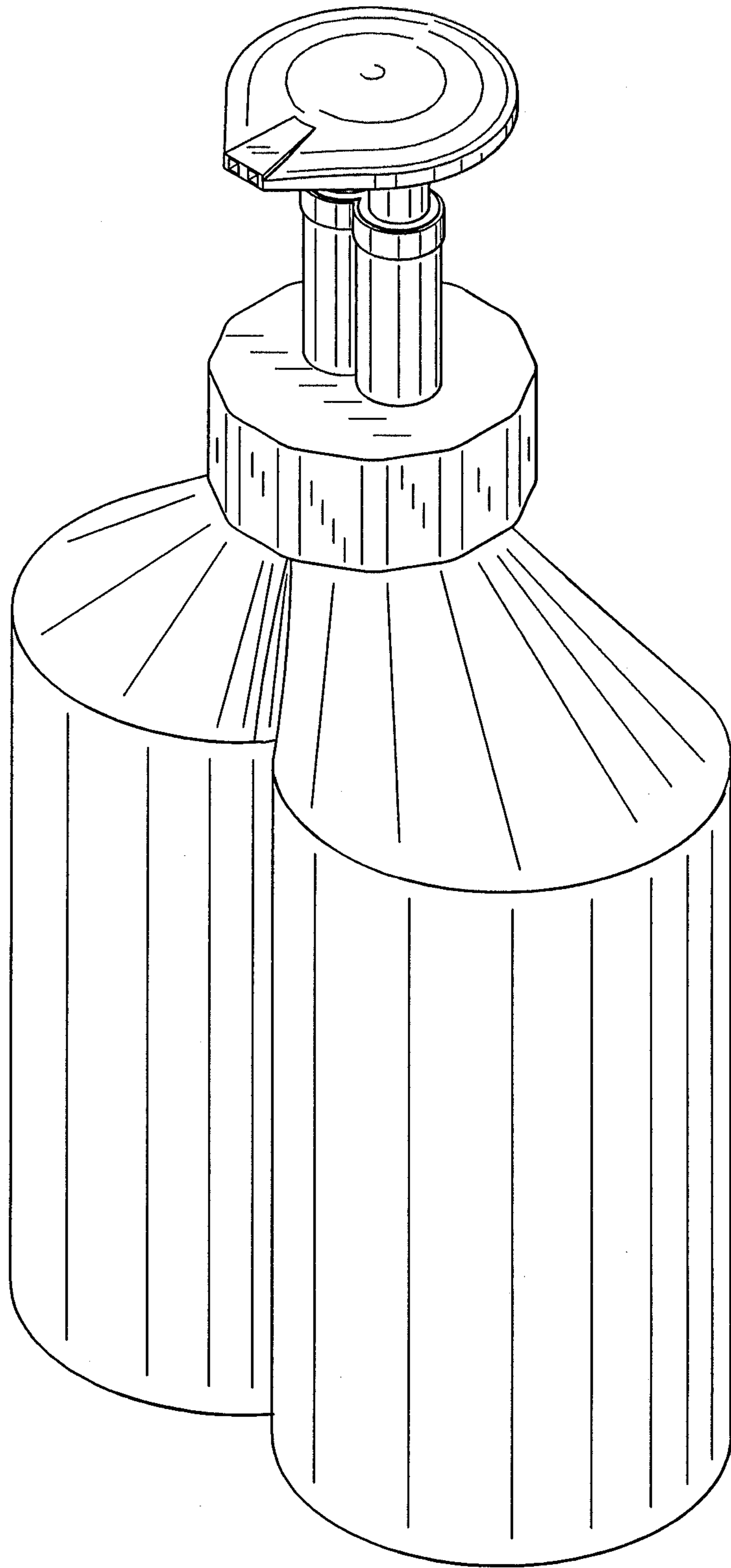


Fig. 1

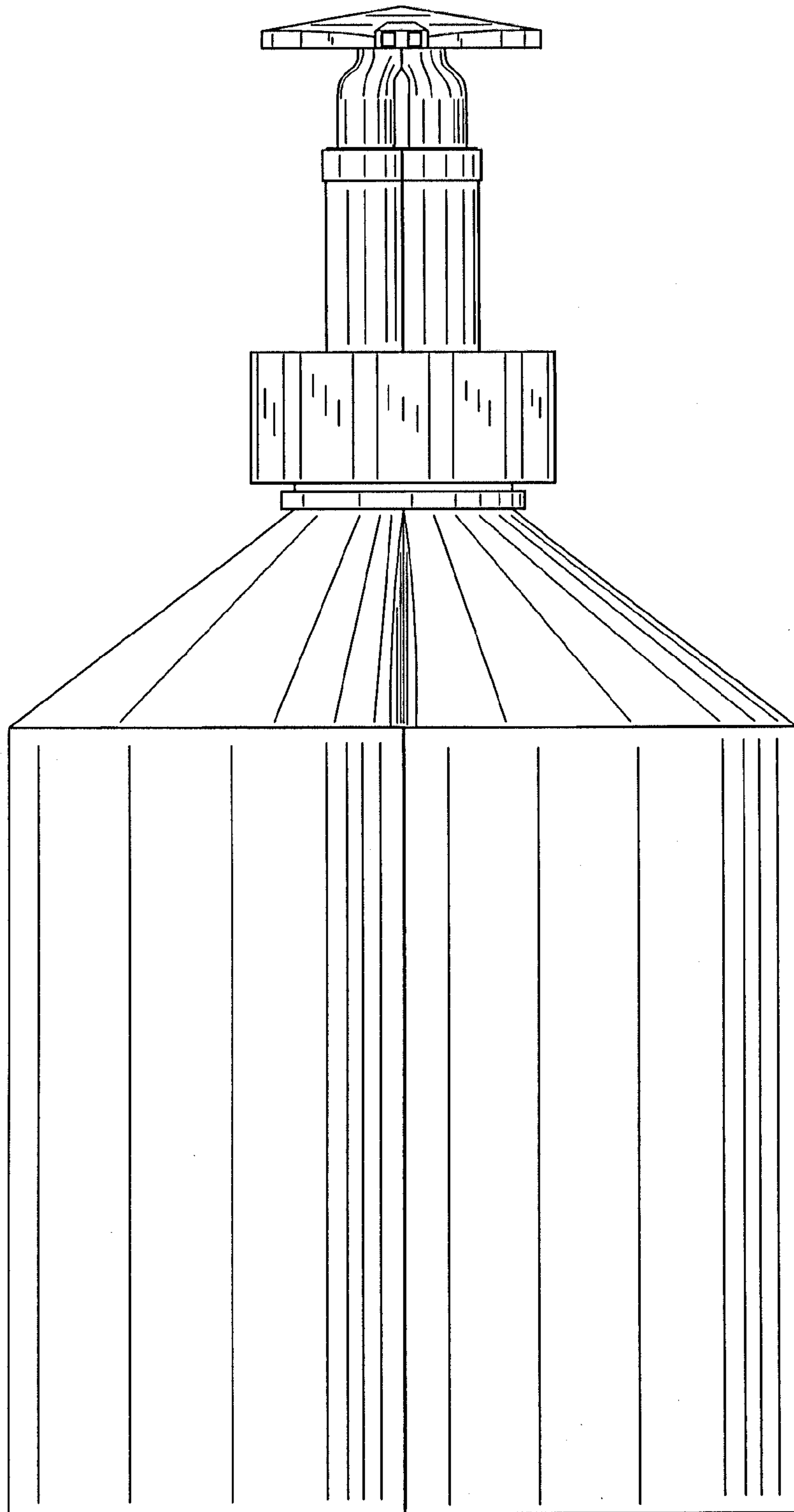


Fig. 2

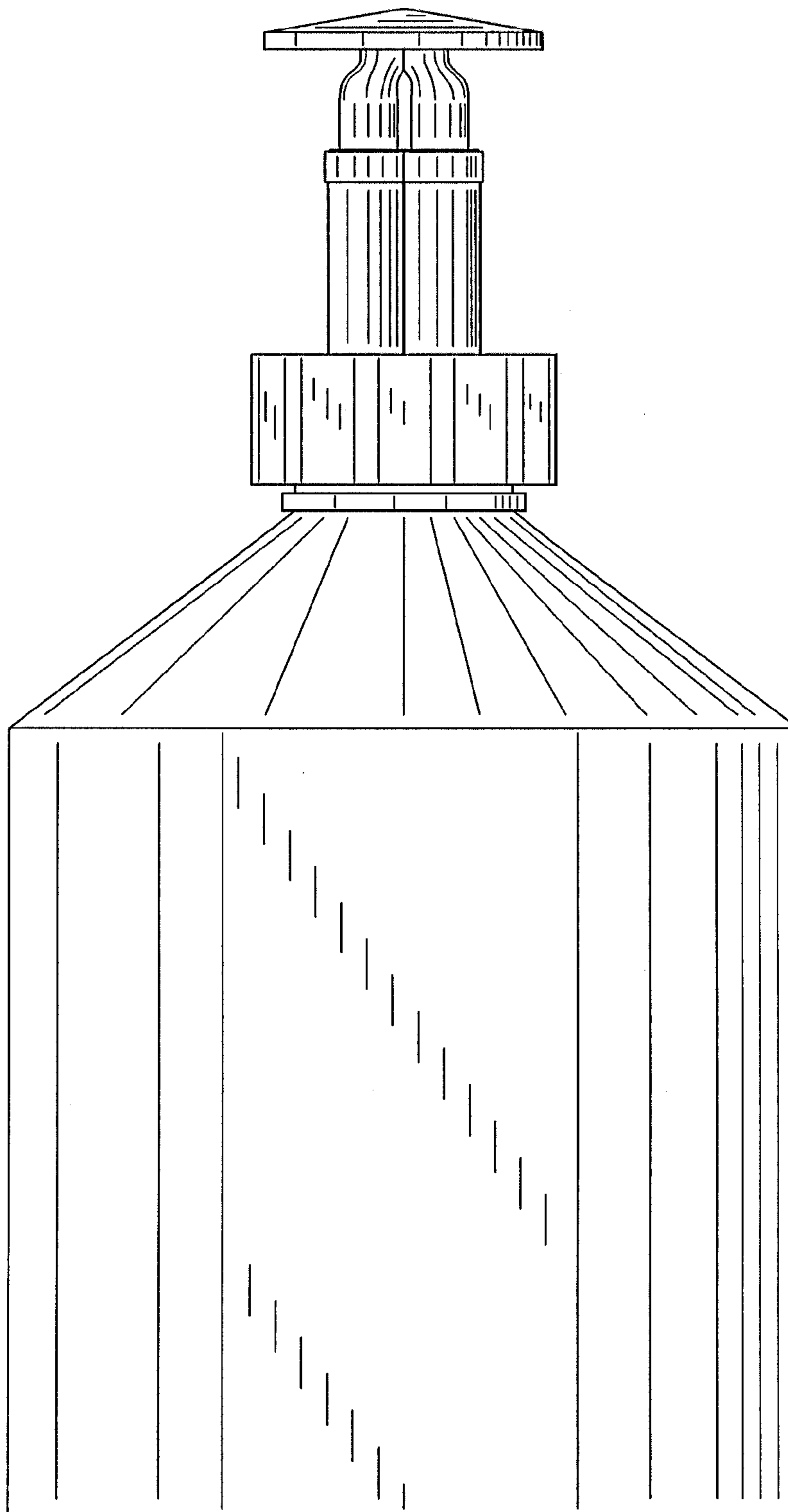


Fig. 3

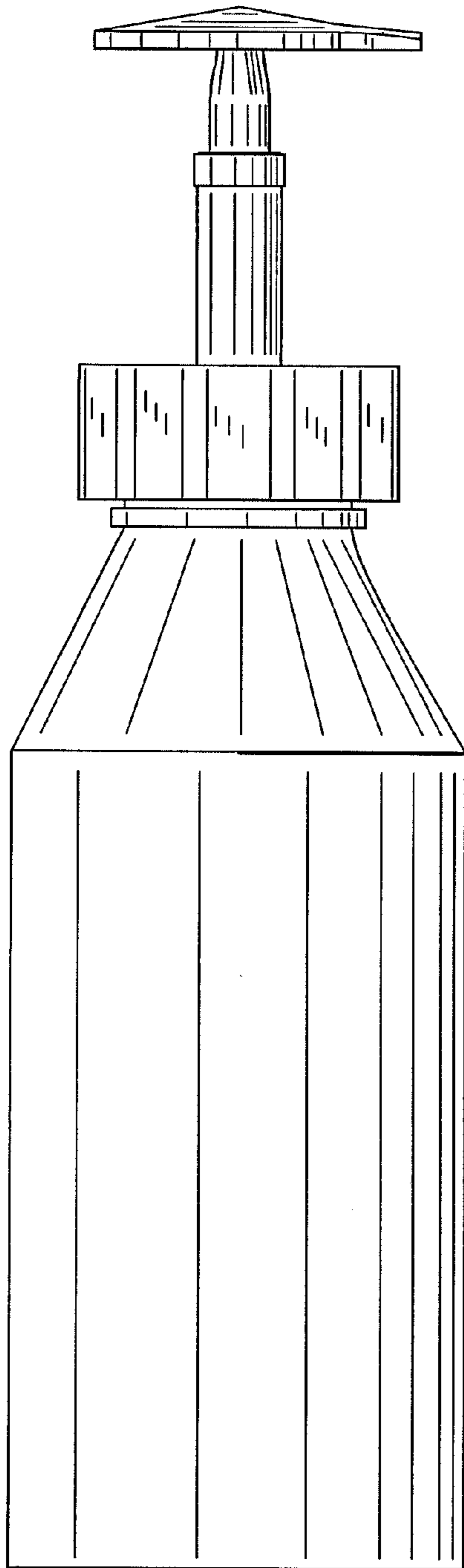


Fig. 4

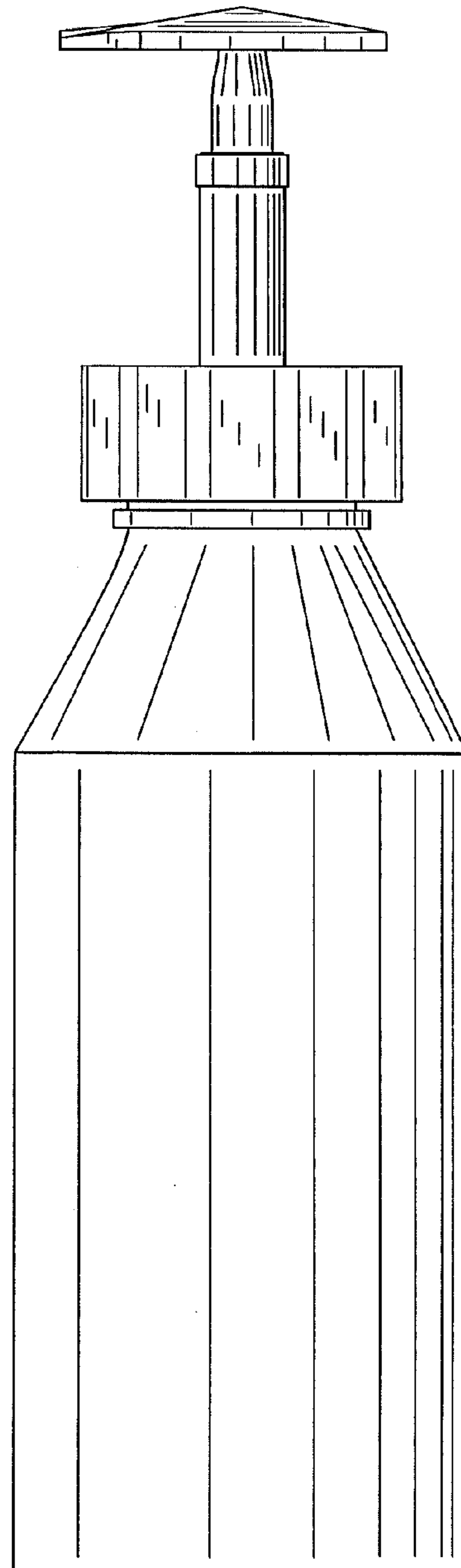


Fig. 5

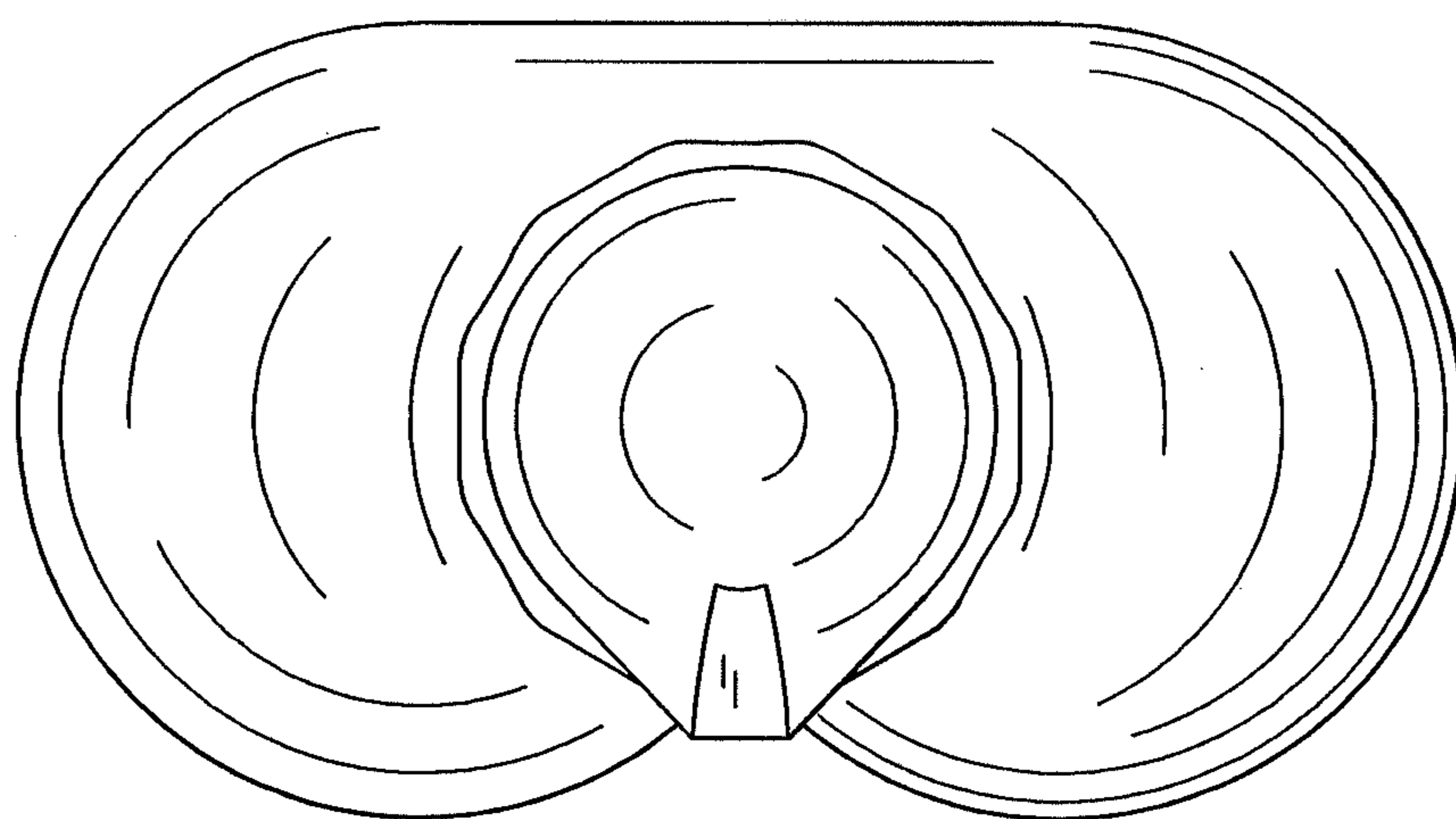


Fig. 6

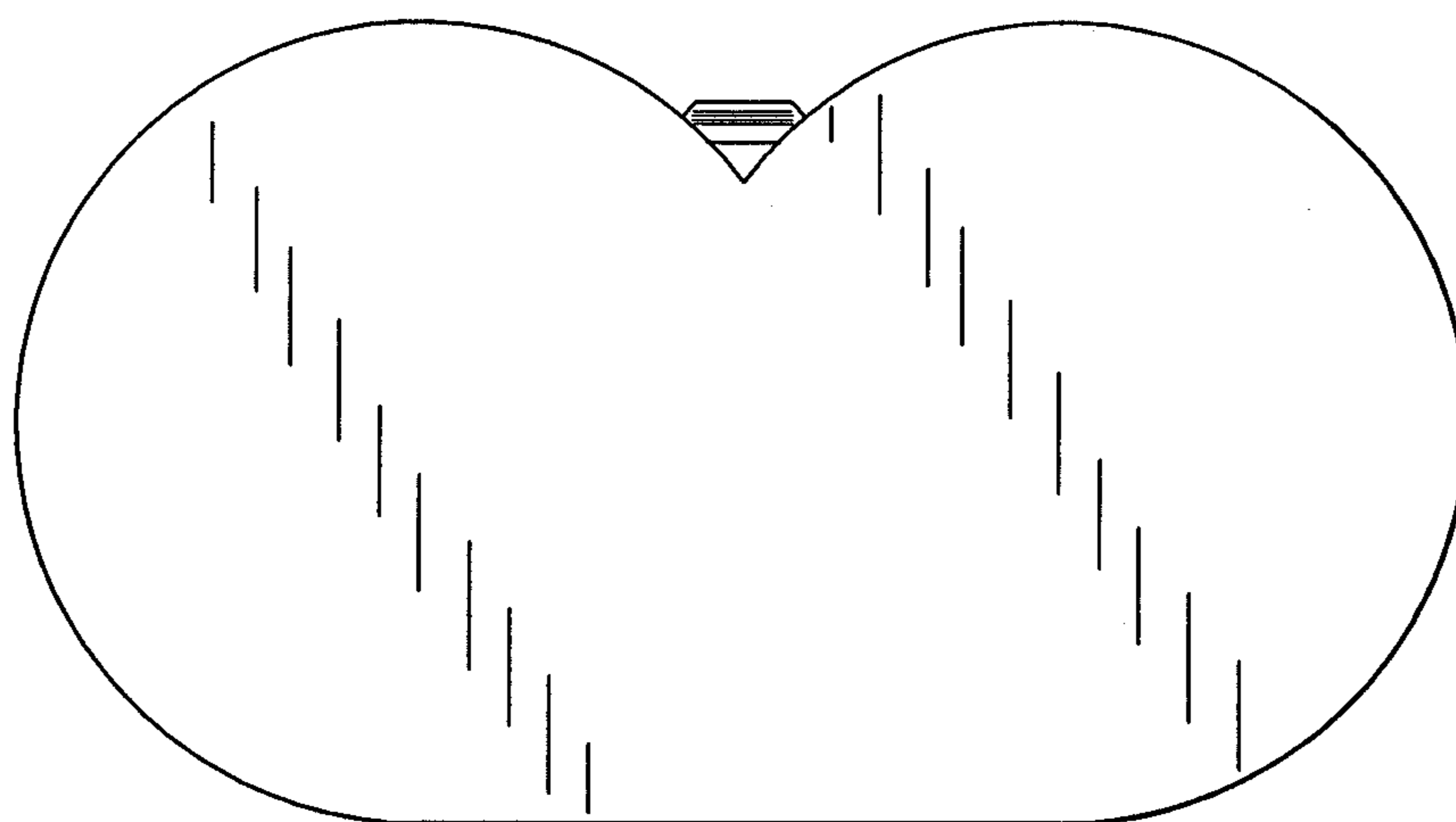


Fig. 7