



US00D735501S

(12) **United States Design Patent**
Ocegueda

(10) **Patent No.:** **US D735,501 S**

(45) **Date of Patent:** **** Aug. 4, 2015**

(54) **DISPLAY STRUCTURE**

D702,462 S * 4/2014 Roithner D6/677
D703,026 S * 4/2014 Wu D8/350
D724,359 S * 3/2015 Murchison et al. D6/682.1

(71) Applicant: **RAPID DISPLAYS, INC.**, Chicago, IL
(US)

* cited by examiner

(72) Inventor: **Antonio Ocegueda**, Chicago, IL (US)

Primary Examiner — Kelley Donnelly

(73) Assignee: **RAPID DISPLAYS, INC.**, Chicago, IL
(US)

(74) *Attorney, Agent, or Firm* — DLA Piper LLP (US); R. Blake Johnston

(**) Term: **14 Years**

(57) **CLAIM**

The ornamental design for a display structure, as shown and described.

(21) Appl. No.: **29/469,192**

DESCRIPTION

(22) Filed: **Oct. 8, 2013**

(51) **LOC (10) Cl.** **06-06**

(52) **U.S. Cl.**

USPC **D6/677**

(58) **Field of Classification Search**

USPC D6/409–415, 449, 455–458, 461–462,
D6/464–468, 476, 672, 677; 211/13.1,
211/60.1, 71.01, 74, 33, 163, 175, 208;
312/114, 228, 228.1, 234.1

CPC A47F 7/28; A47F 7/283

See application file for complete search history.

(56) **References Cited**

U.S. PATENT DOCUMENTS

4,807,377	A *	2/1989	Stuckel	40/711
D325,325	S *	4/1992	Cadman	D7/611
D476,531	S *	7/2003	Rangel	D7/603
D530,525	S *	10/2006	Greene, II	D6/309
D544,727	S *	6/2007	Valdez et al.	D6/466
D567,547	S *	4/2008	Gauger	D6/486
D584,898	S *	1/2009	Chang	D6/309
D643,231	S *	8/2011	Huang	D6/449
D669,315	S *	10/2012	Schewe et al.	D7/619.1
D679,102	S *	4/2013	Gilboe et al.	D6/309
D691,860	S *	10/2013	Berio et al.	D7/619.1
D702,064	S *	4/2014	Ho	D6/682.4

FIG. 1 is a perspective view of a first embodiment of a display structure;

FIG. 2 is a right elevational view thereof, the opposite side being a mirror image;

FIG. 3 is a front elevational view thereof, the opposite side being a mirror image;

FIG. 4 is a top plan view thereof; and

FIG. 5 is a bottom plan view thereof;

FIG. 6 is a perspective view of a second embodiment of a display structure;

FIG. 7 is a right elevational view thereof, the opposite side being a mirror image;

FIG. 8 is a front elevational view thereof, the opposite side being a mirror image;

FIG. 9 is a top plan view thereof; and

FIG. 10 is a bottom plan view thereof;

FIG. 11 is a perspective view of a third embodiment of a display structure;

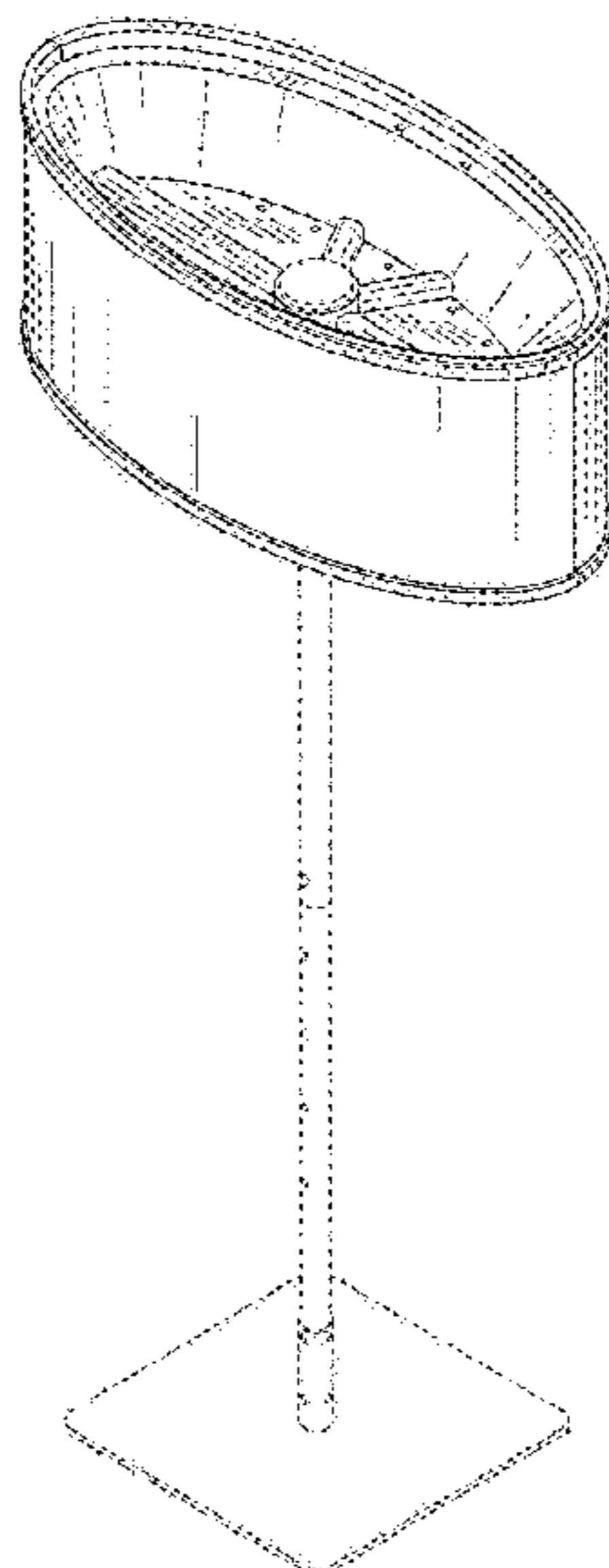
FIG. 12 is a front elevational view thereof, the opposite side being a mirror image;

FIG. 13 is a top plan view thereof; and,

FIG. 14 is a bottom plan view thereof.

The broken lines shown are included for the purpose of illustrating the unclaimed portions of the article and form no part of the claimed design.

1 Claim, 10 Drawing Sheets



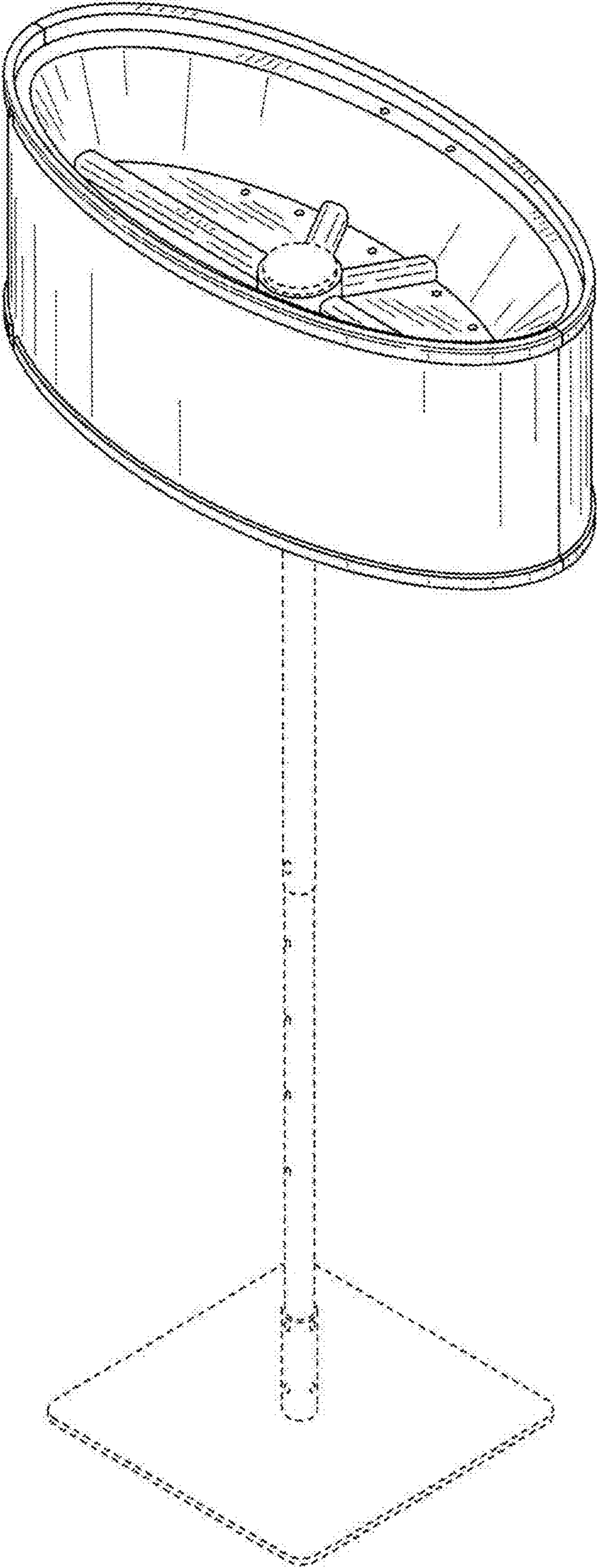


FIG. 1

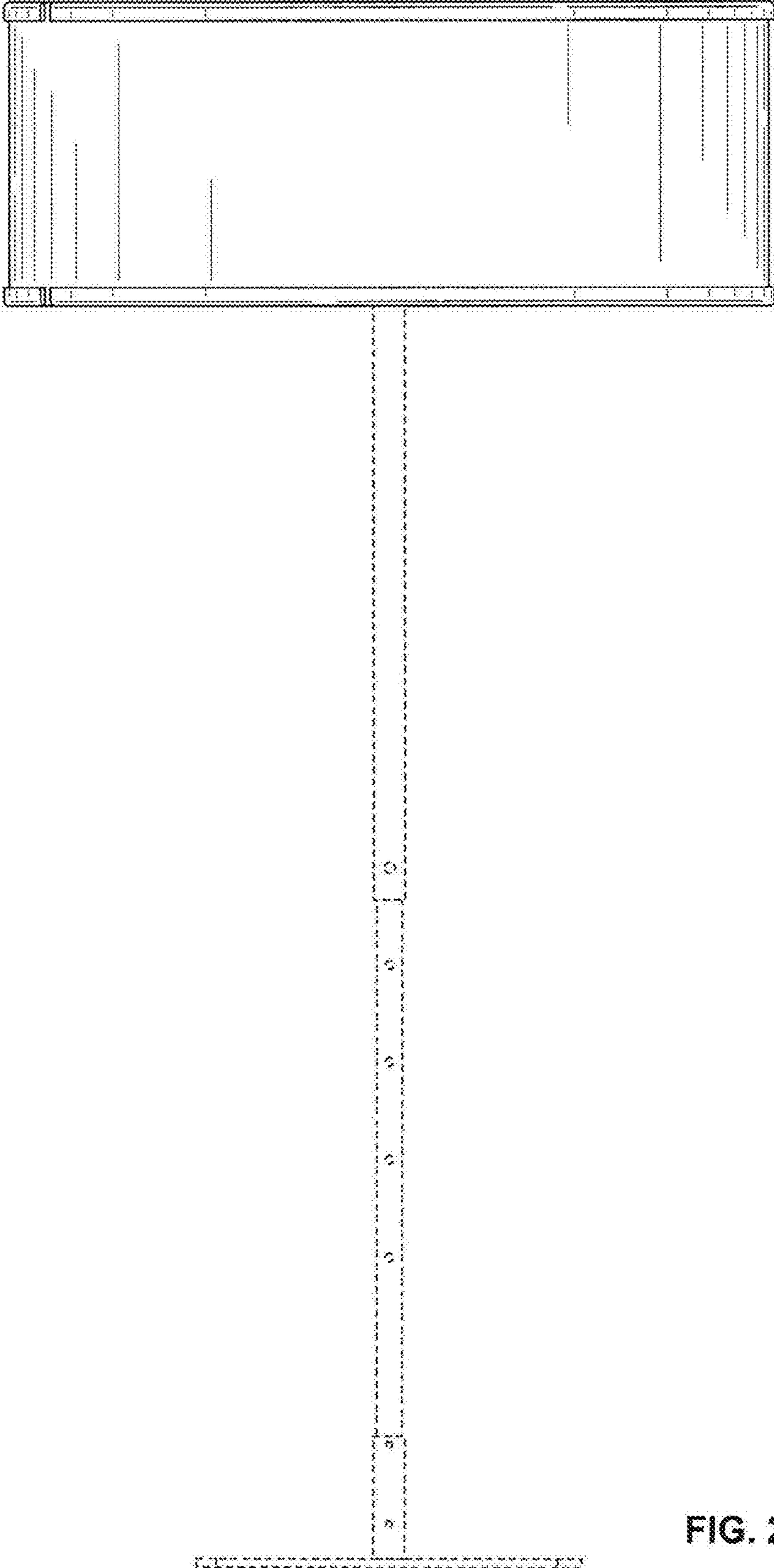


FIG. 2

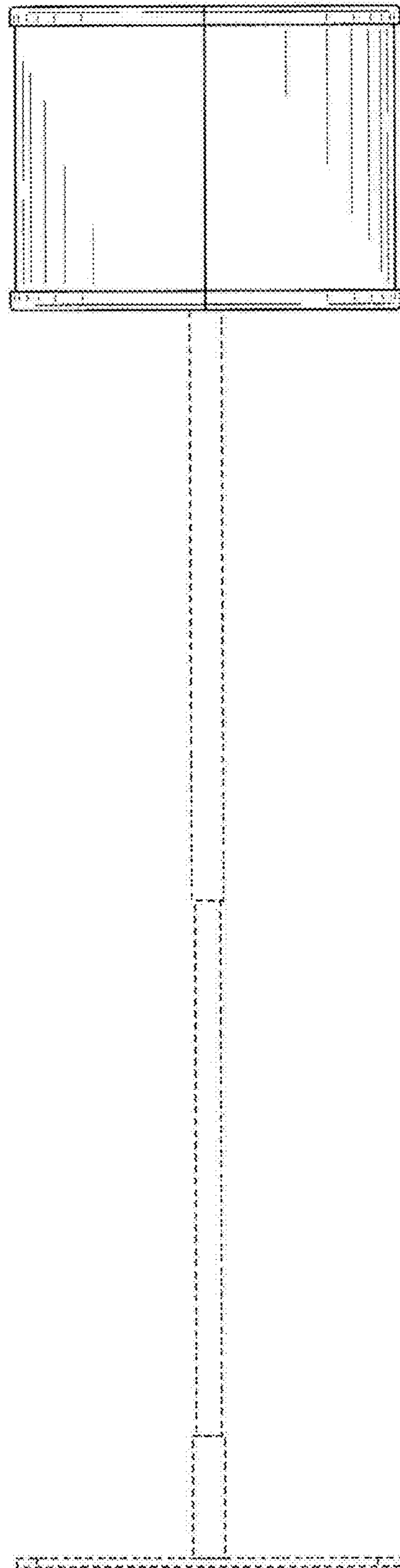


FIG. 3

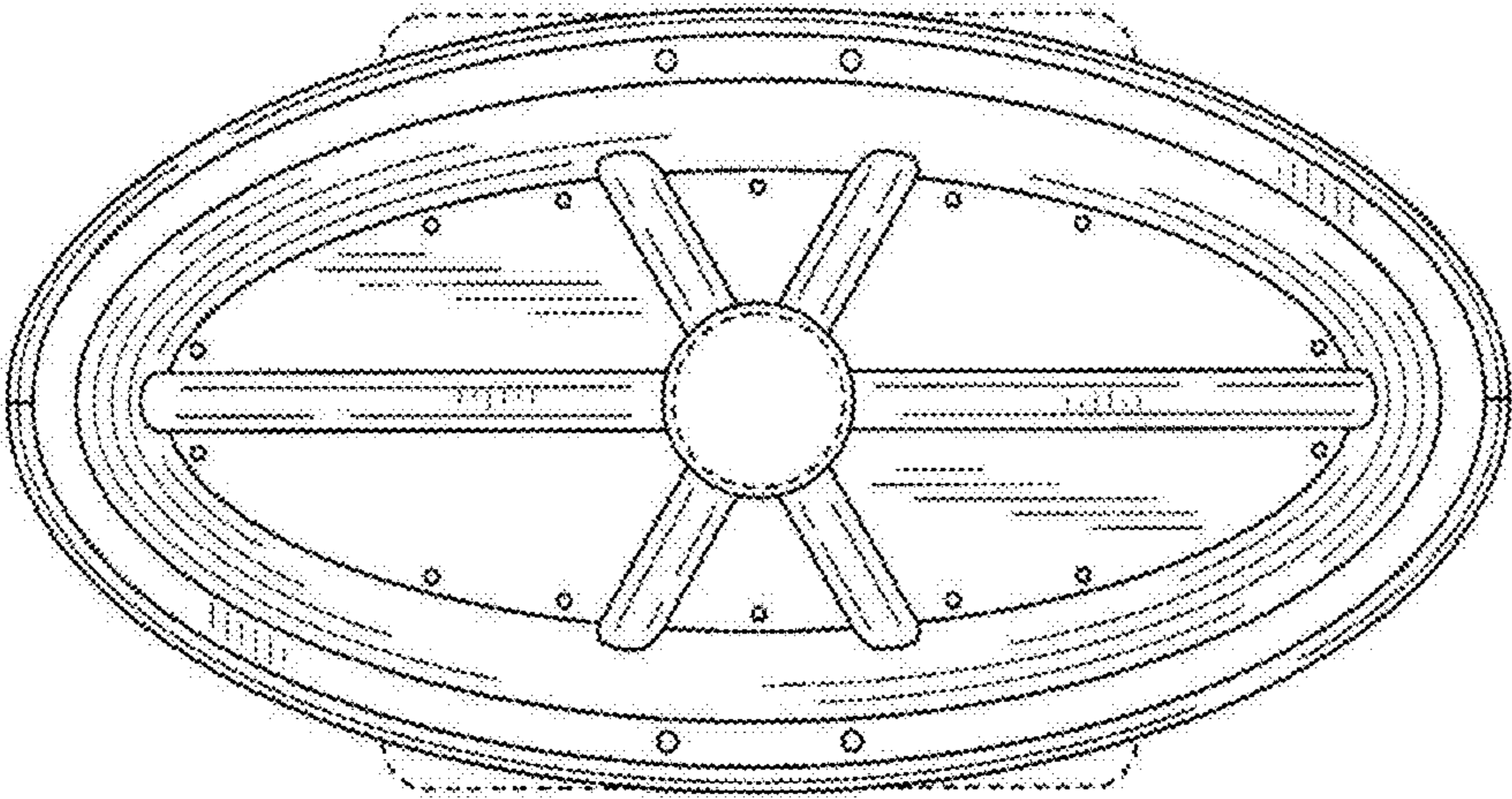


FIG. 4

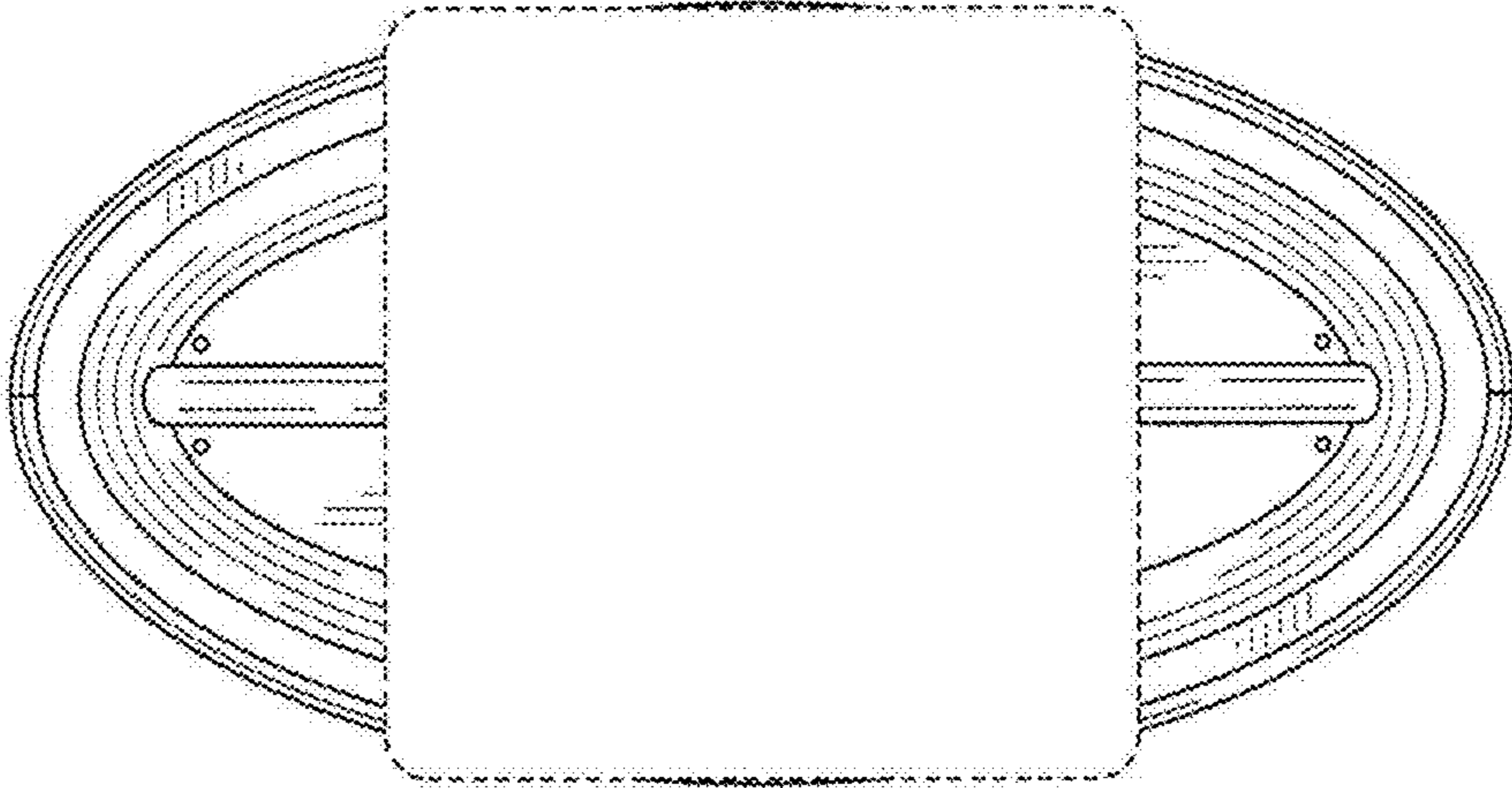


FIG. 5

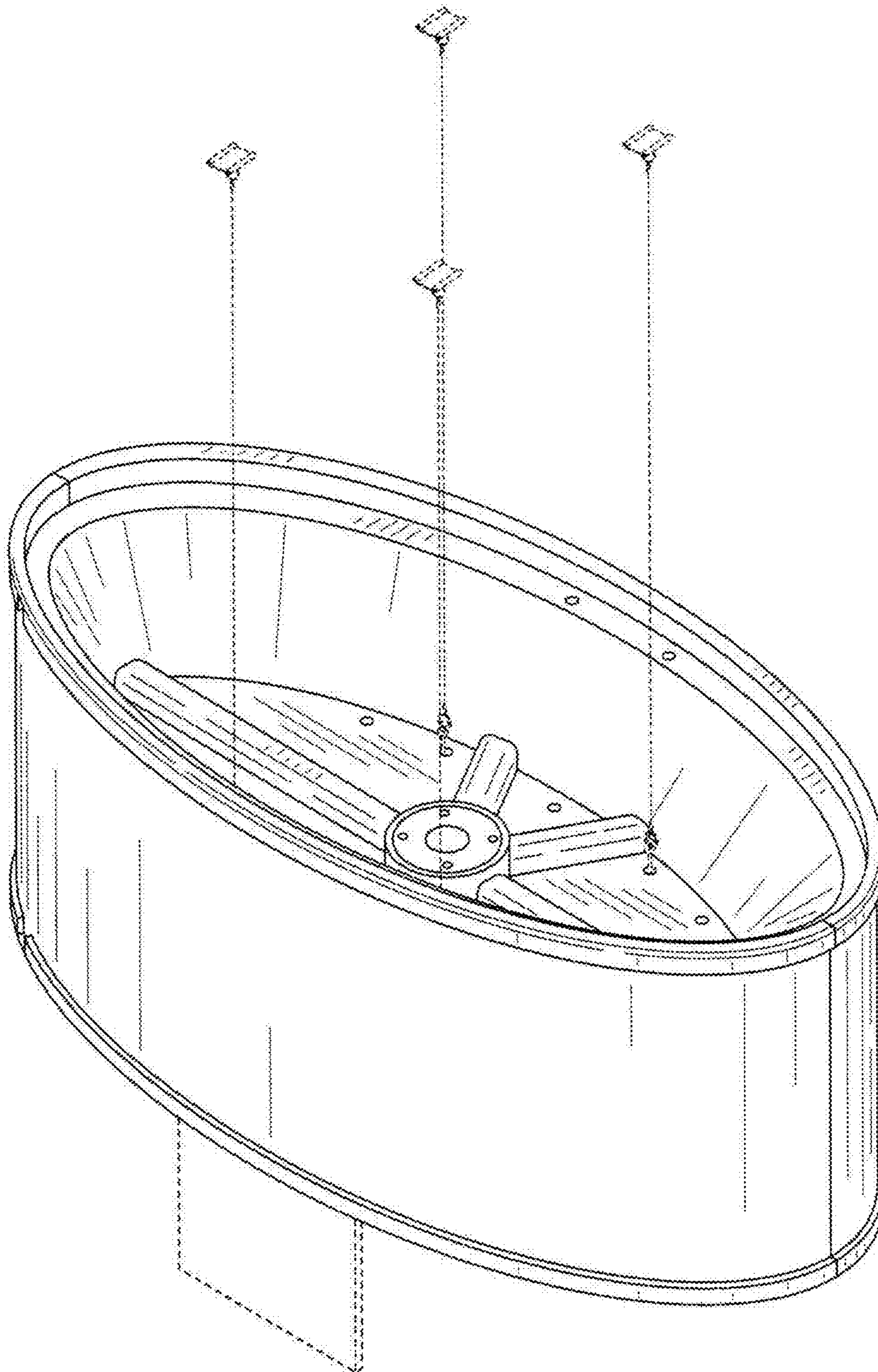


FIG. 6

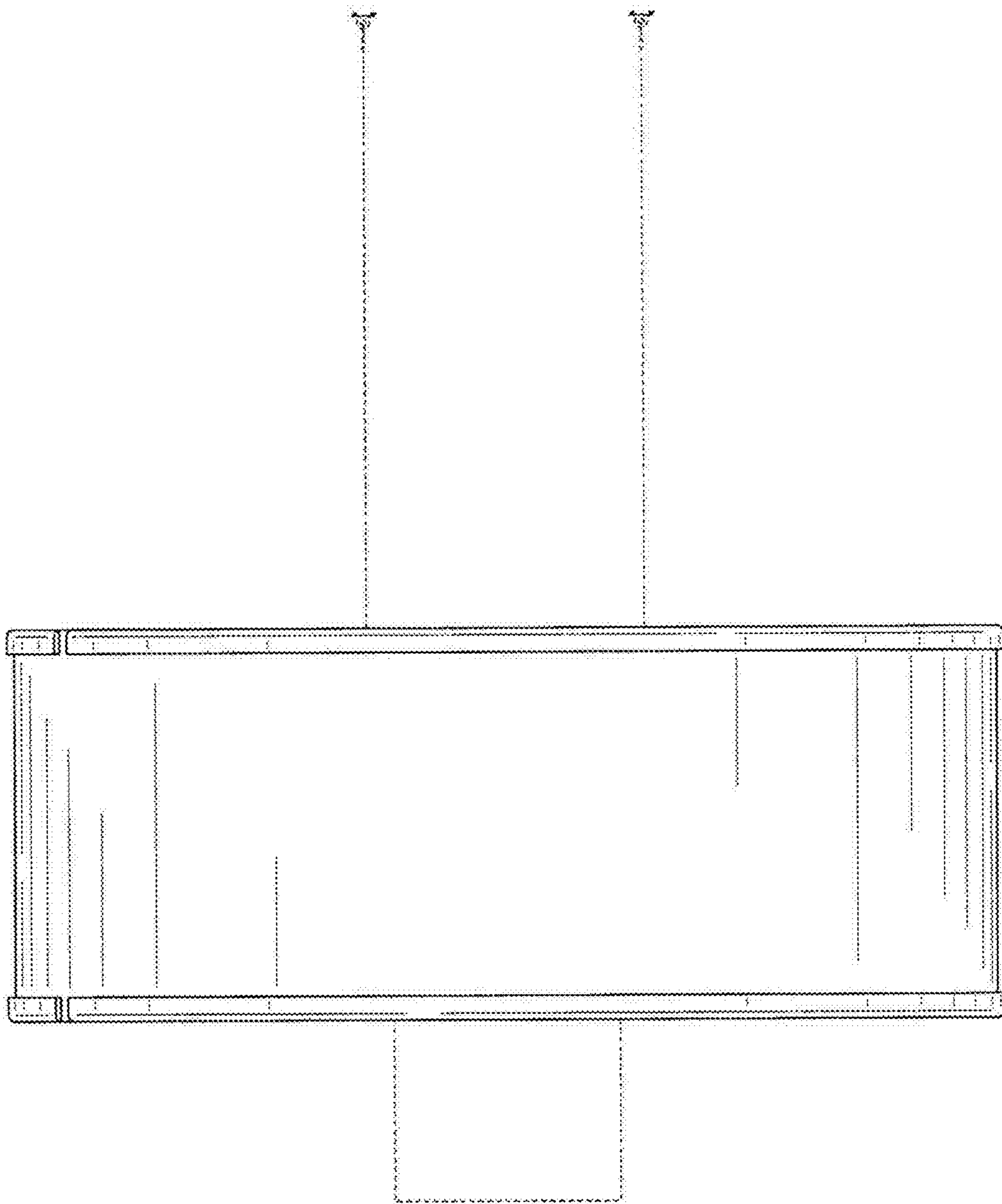


FIG. 7

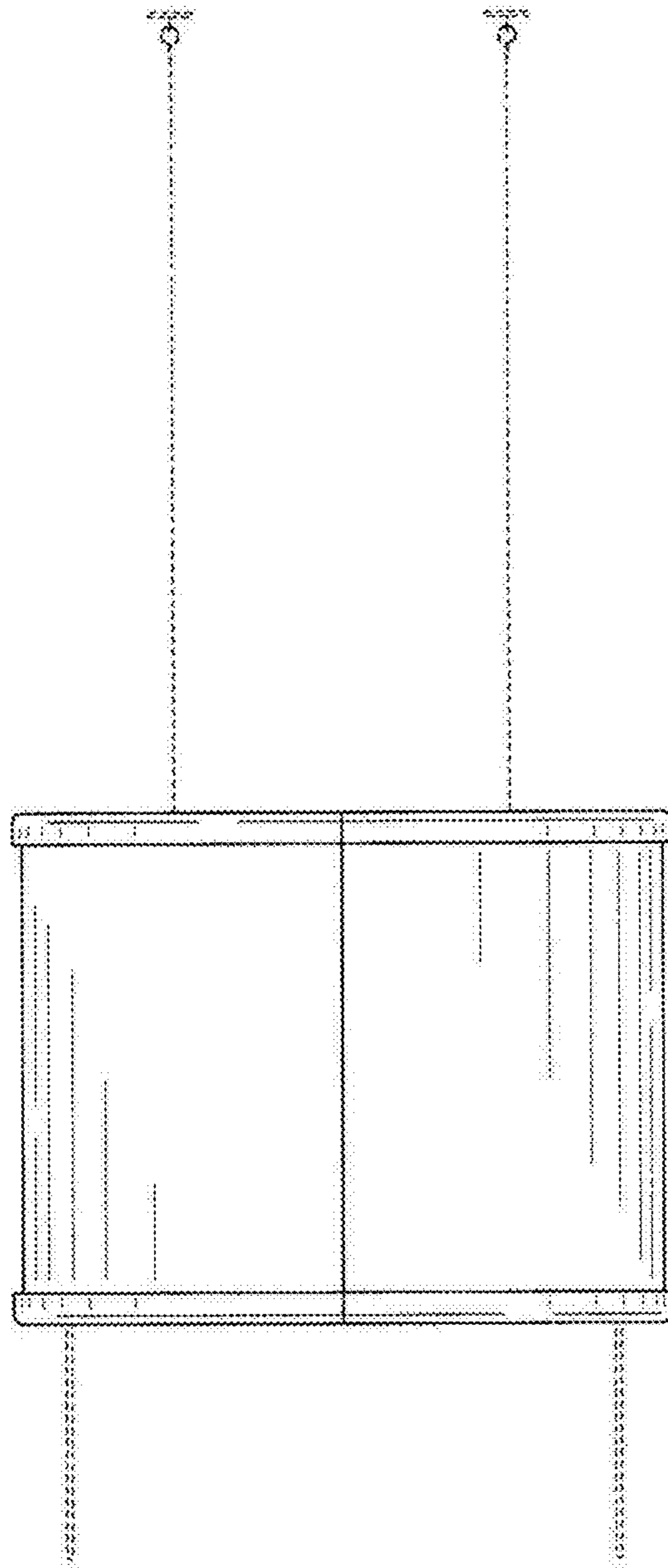


FIG. 8

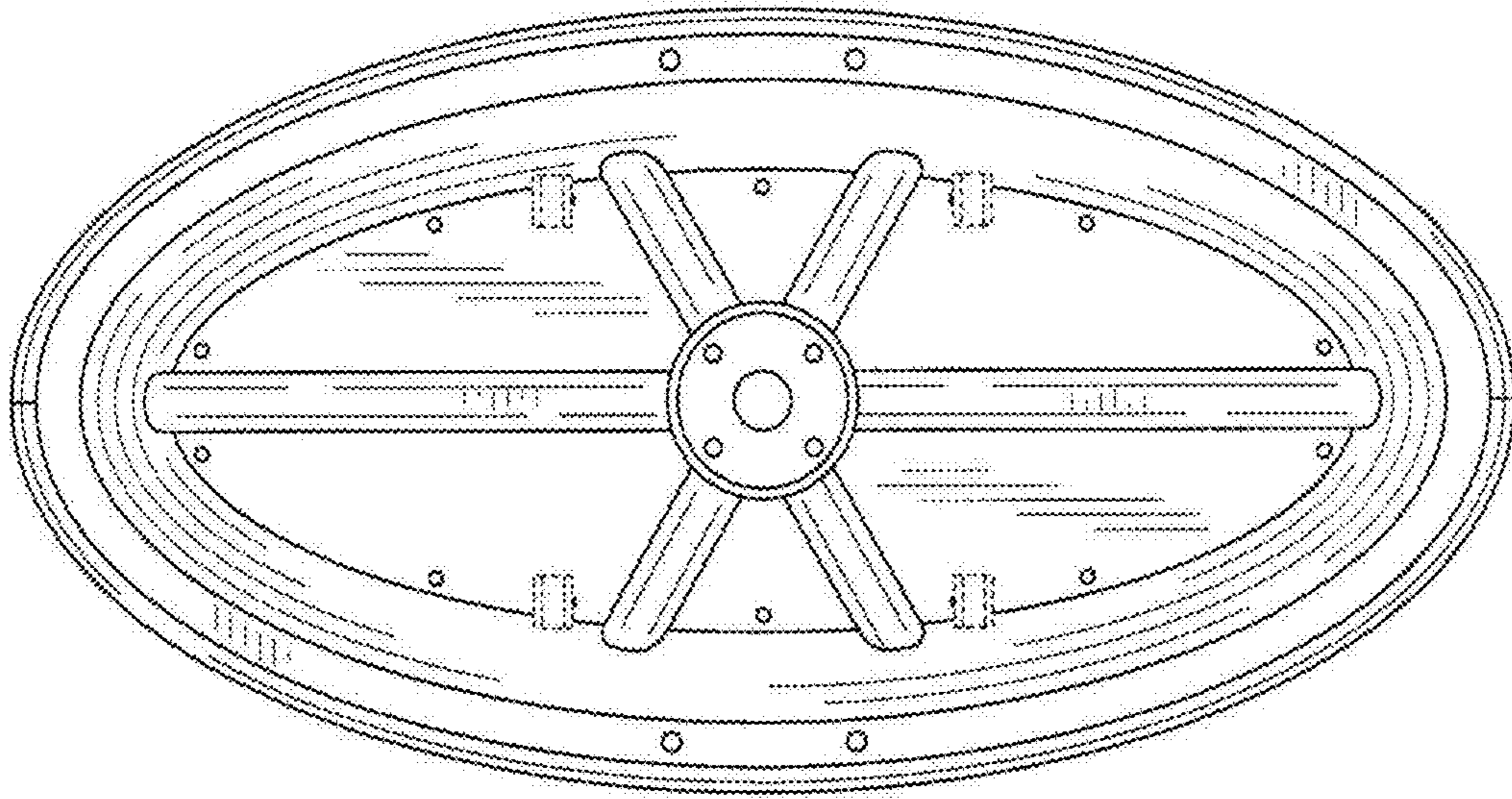


FIG. 9

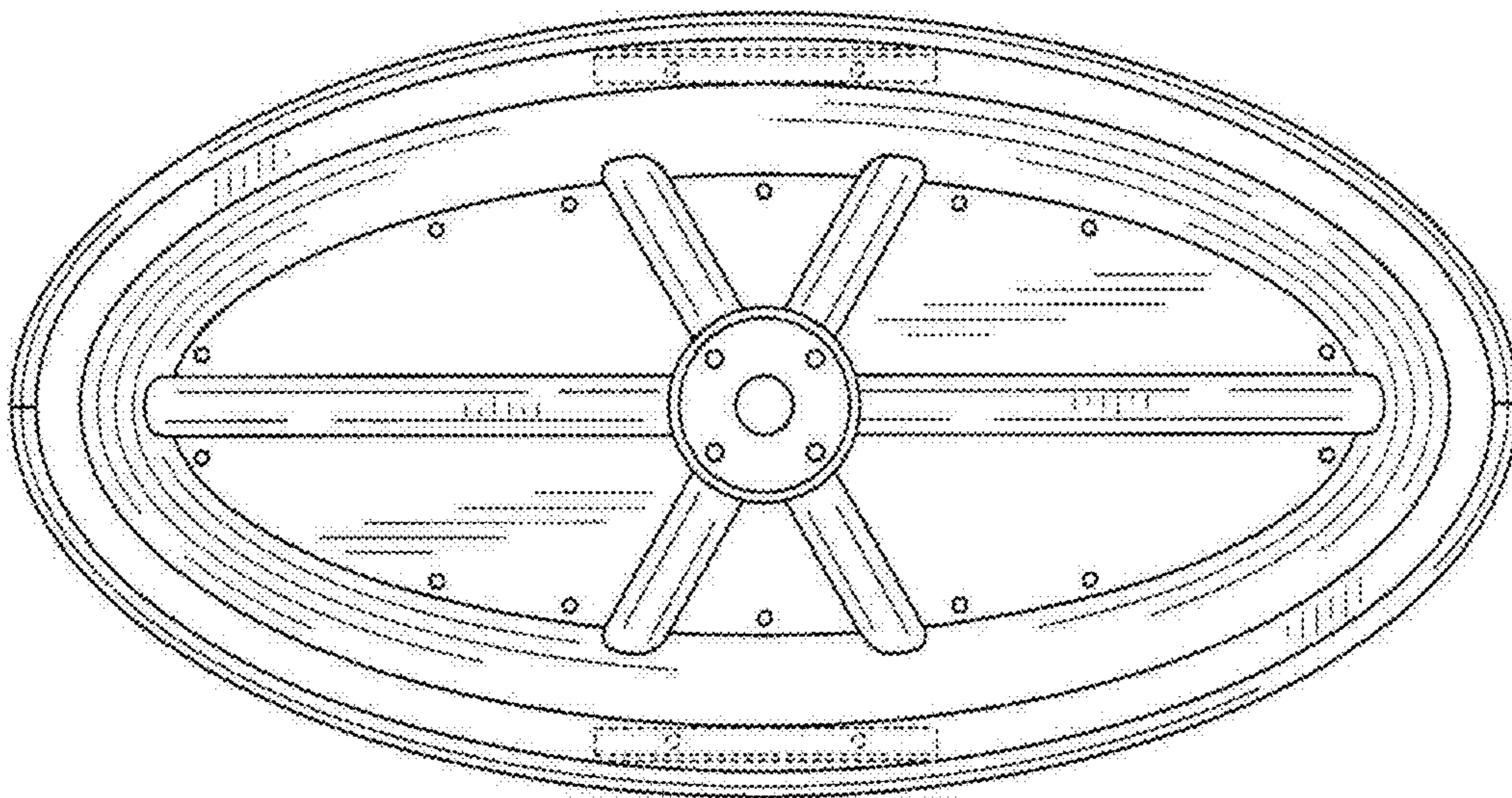


FIG. 10

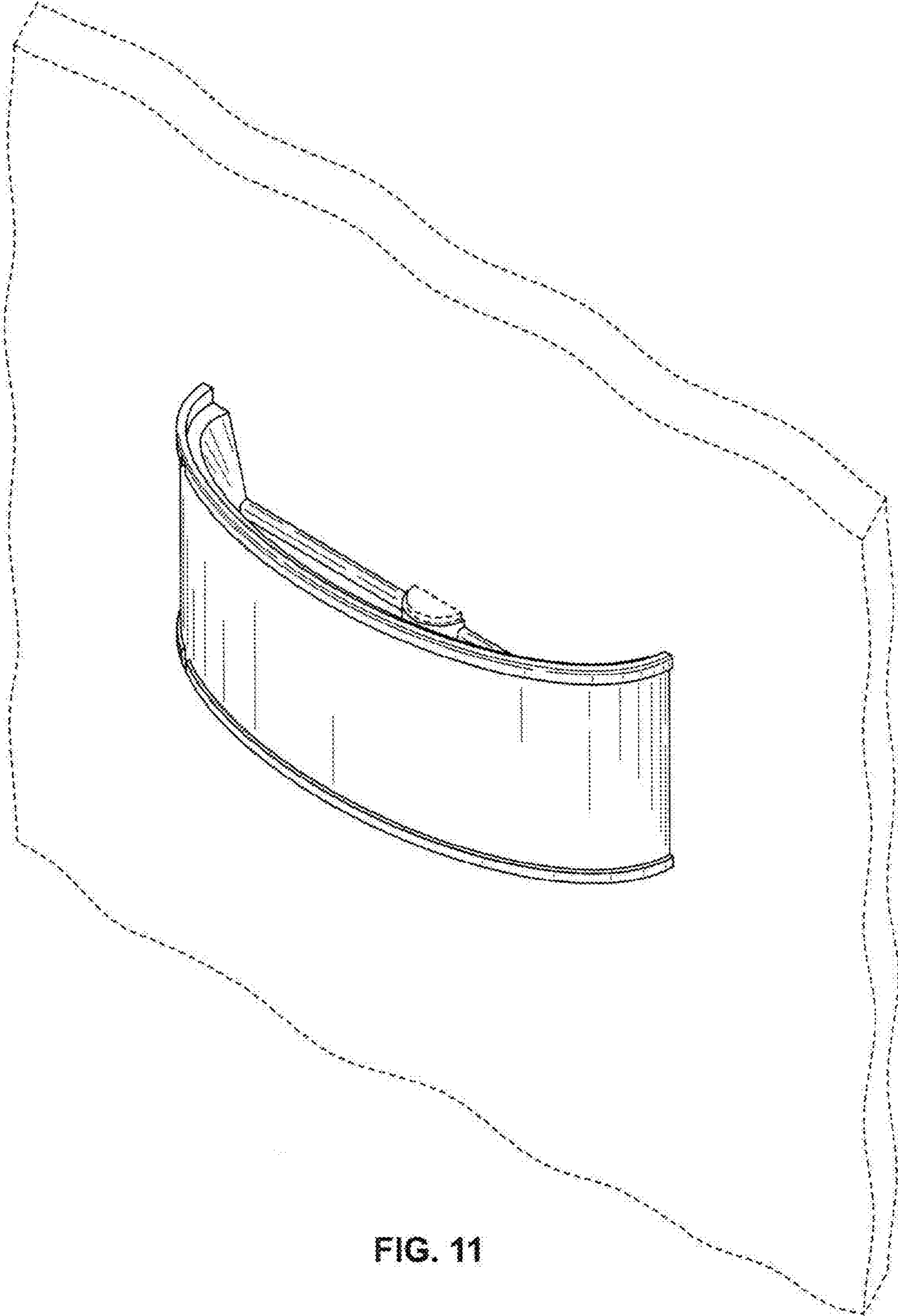


FIG. 11

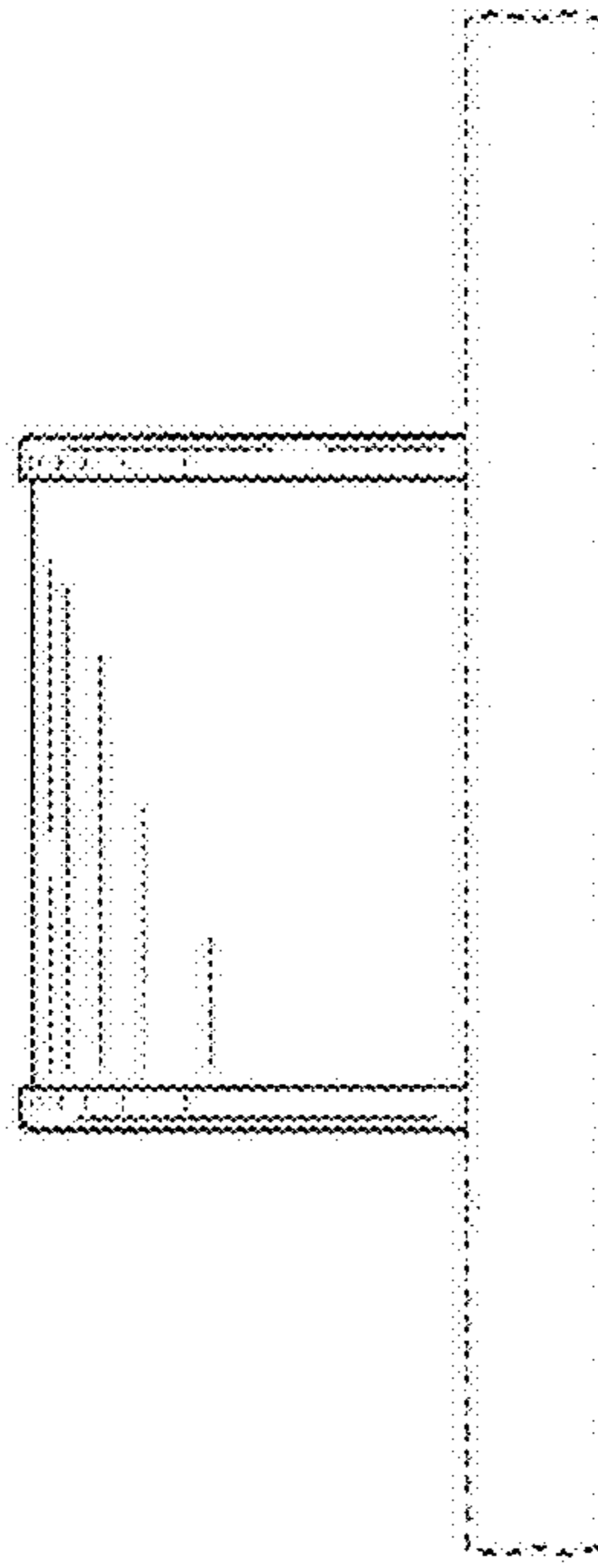


FIG. 12

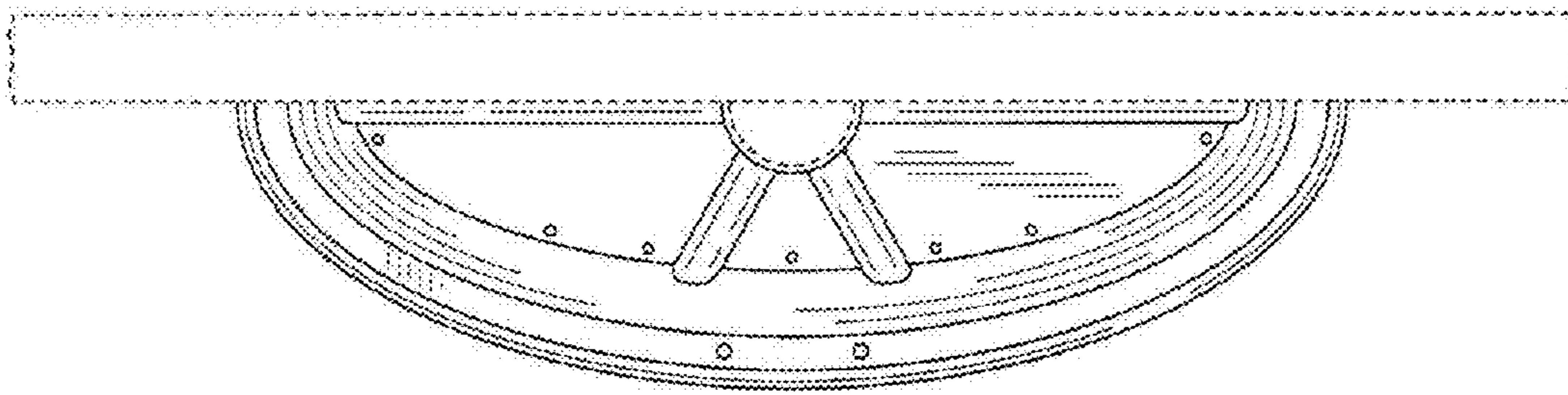


FIG. 13

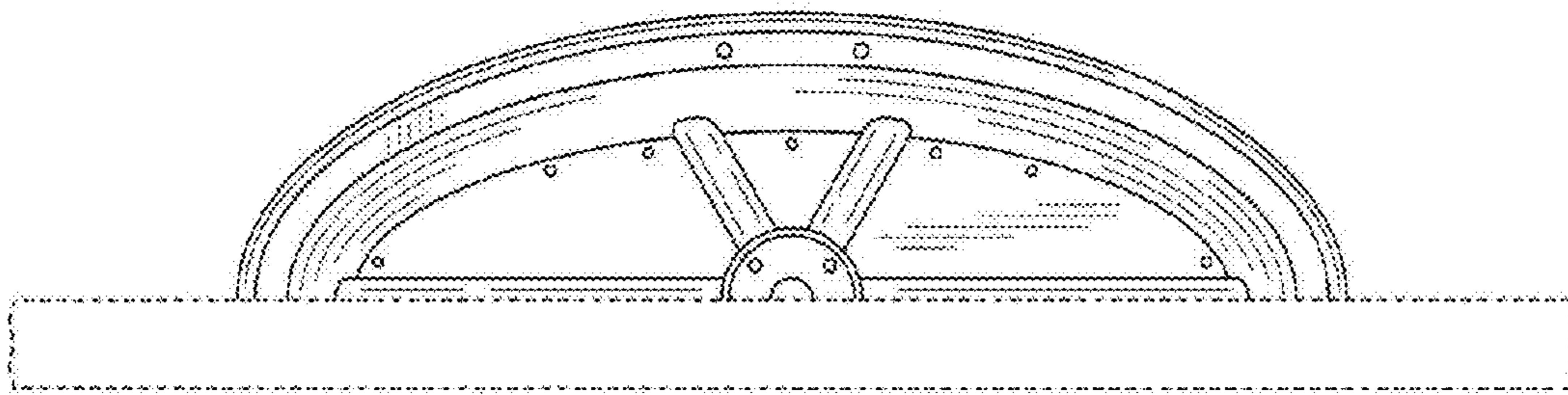


FIG. 14