



US00D735497S

(12) **United States Design Patent**
Mihaly

(10) **Patent No.:** **US D735,497 S**

(45) **Date of Patent:** **** Aug. 4, 2015**

(54) **FLAT TOP SEATBACK COVER**

D692,259 S * 10/2013 Janowski D6/611
D707,063 S * 6/2014 Daley D6/611
D716,585 S * 11/2014 Peterson D6/611

(71) Applicant: **Craig Mihaly**, Atlanta, GA (US)

* cited by examiner

(72) Inventor: **Craig Mihaly**, Atlanta, GA (US)

Primary Examiner — Katrina A Betton

(**) Term: **14 Years**

(74) *Attorney, Agent, or Firm* — Thomas | Horstemeyer, LLP.

(21) Appl. No.: **29/489,056**

(57) **CLAIM**

(22) Filed: **Apr. 25, 2014**

The ornamental design of a flat top seatback cover, as shown and described.

(51) **LOC (10) Cl.** **06-13**

(52) **U.S. Cl.**

DESCRIPTION

USPC **D6/611**

(58) **Field of Classification Search**

USPC D6/611, 610, 596, 601, 602, 603, 615,
D6/617, 621; D7/332, 334–337;
D12/401–405; 135/87, 88.01, 95;
150/165–167, 158, 154; 280/770;
296/136.01, 136.1, 136.11

See application file for complete search history.

FIG. 1 is a perspective view showing my new flat top seatback cover;

FIG. 2 is a front view thereof;

FIG. 3 is a back view thereof;

FIG. 4 is a left side view thereof;

FIG. 5 is a right side view thereof;

FIG. 6 is a top view thereof; and

FIG. 7 is a bottom view thereof; and,

FIGS. 8 and 9 are perspective views illustrating an example of the flat top seatback cover when attached to a rocking chair.

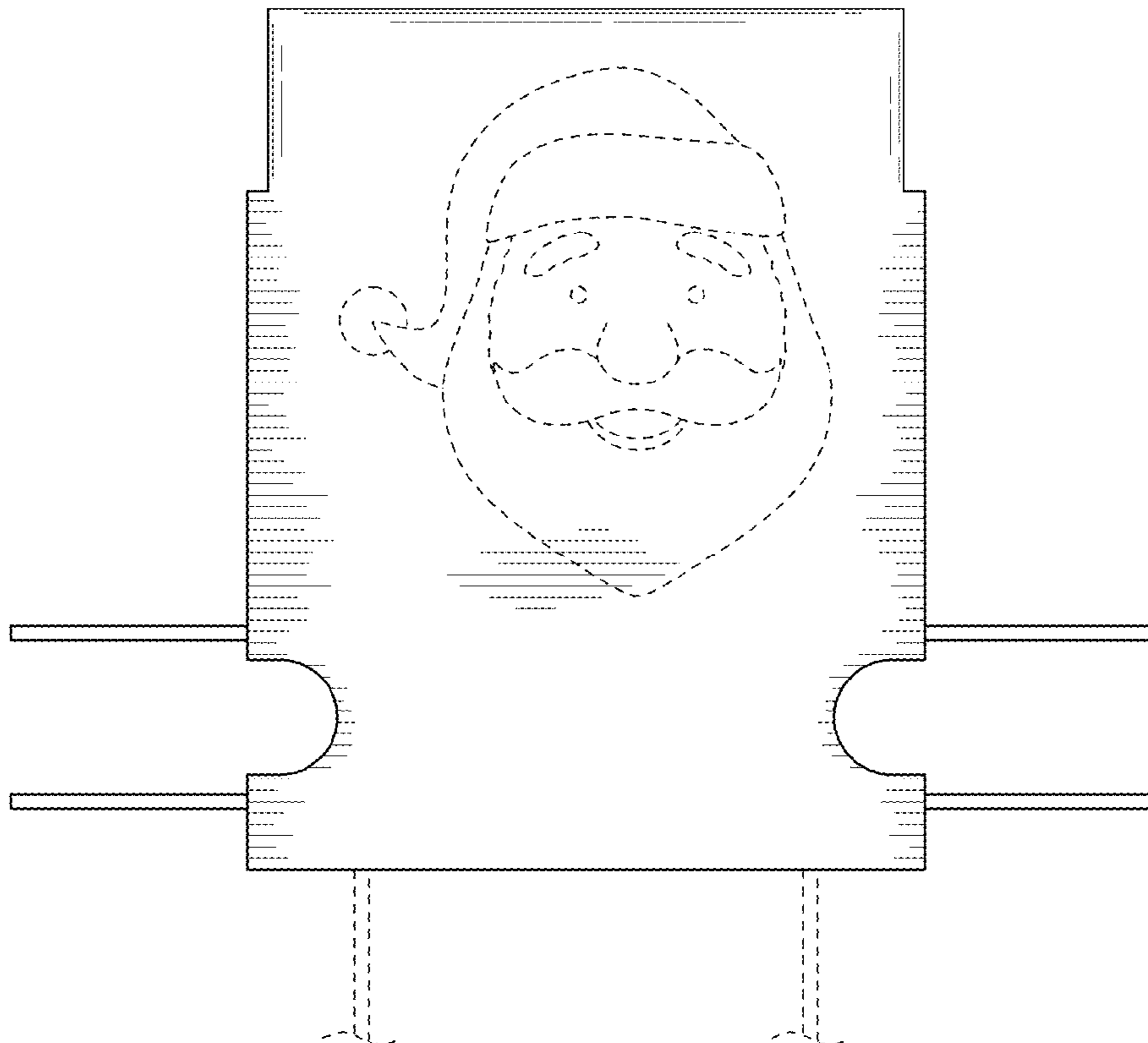
The broken line showing portions of the flat top seatback cover in the figures is included for the purpose of illustrating environmental structure and forms no part of the claimed design.

(56) **References Cited**

U.S. PATENT DOCUMENTS

D655,120 S * 3/2012 King D6/611
D663,153 S * 7/2012 Kenkelen et al. D6/611
D680,360 S * 4/2013 Ogawa D6/611
D688,070 S * 8/2013 Oberg D6/611

1 Claim, 5 Drawing Sheets



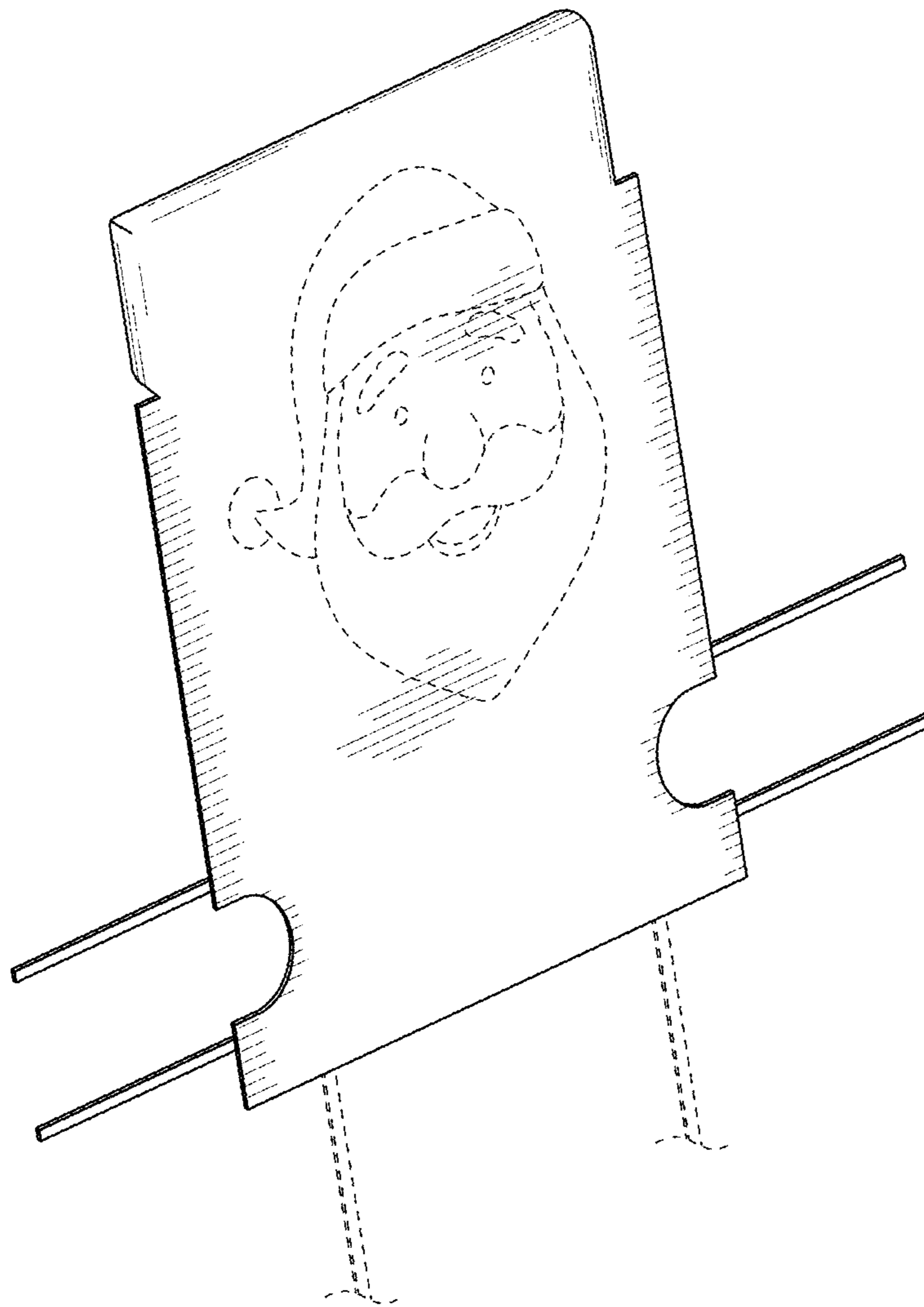
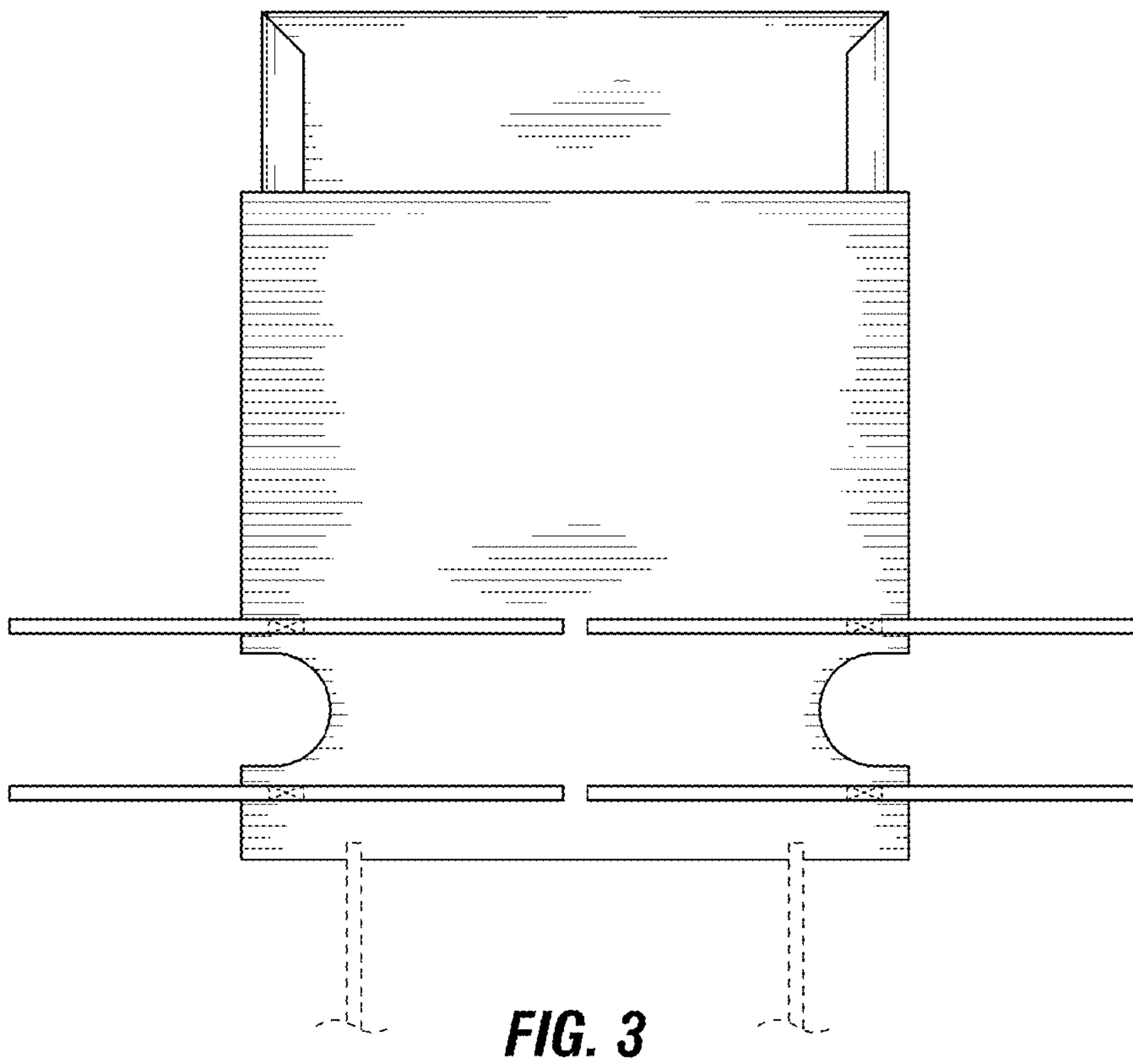
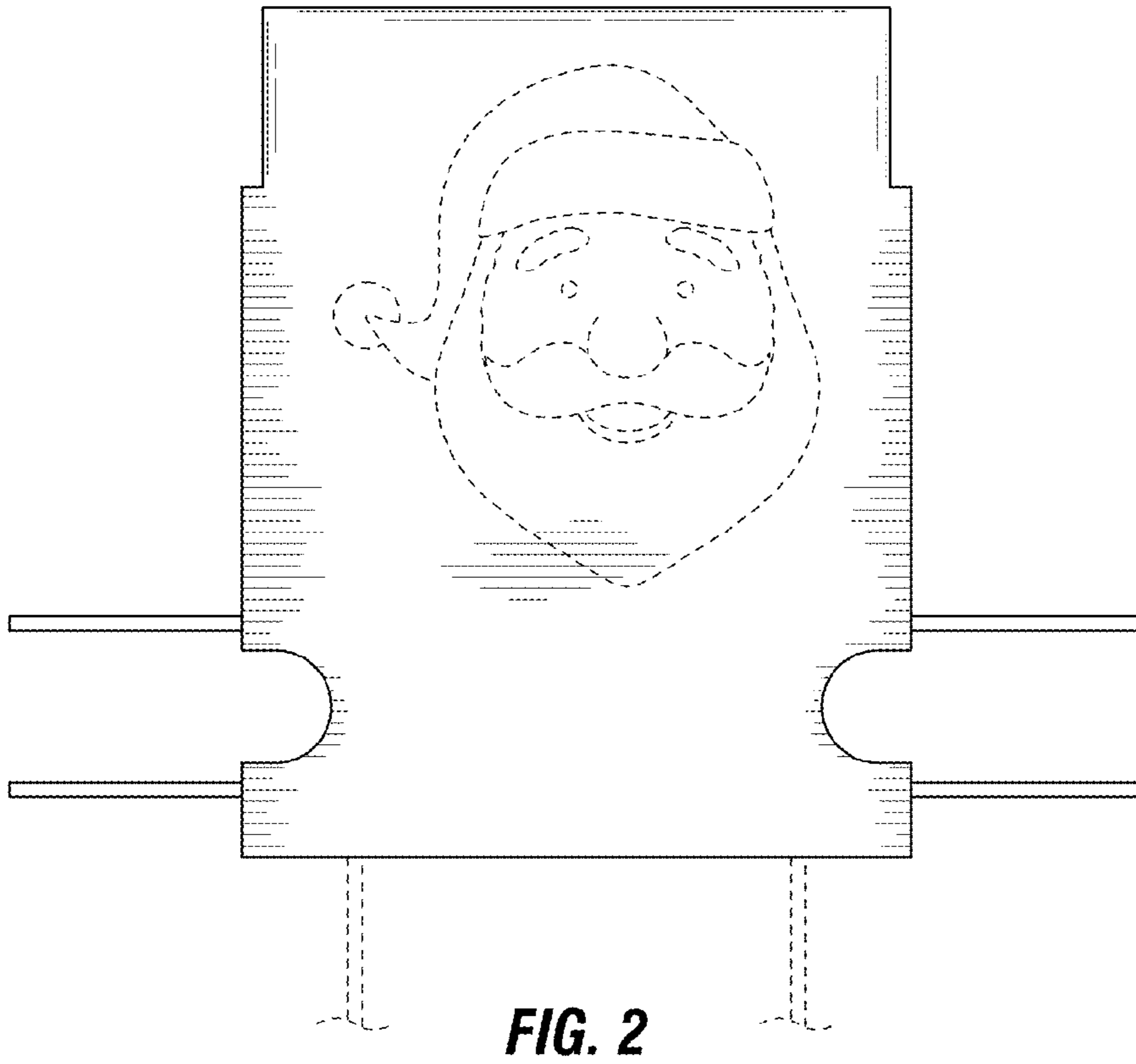


FIG. 1



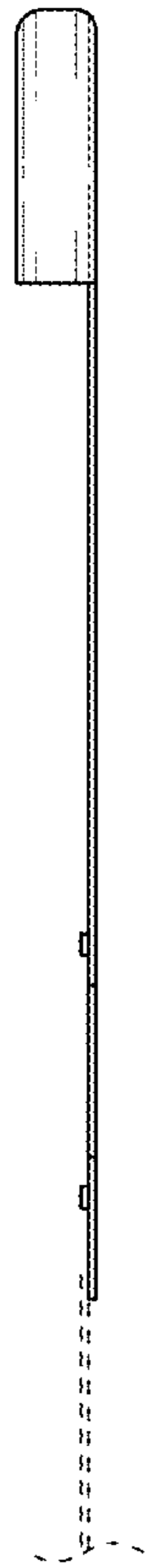


FIG. 4

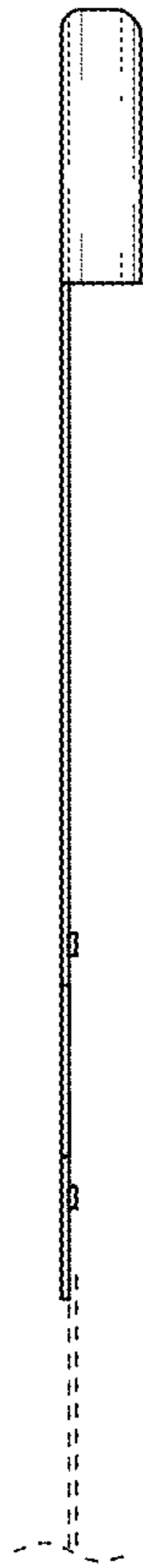


FIG. 5

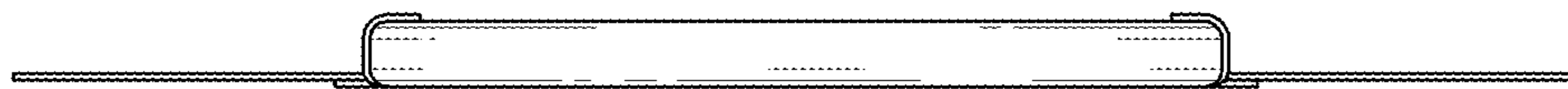


FIG. 6



FIG. 7

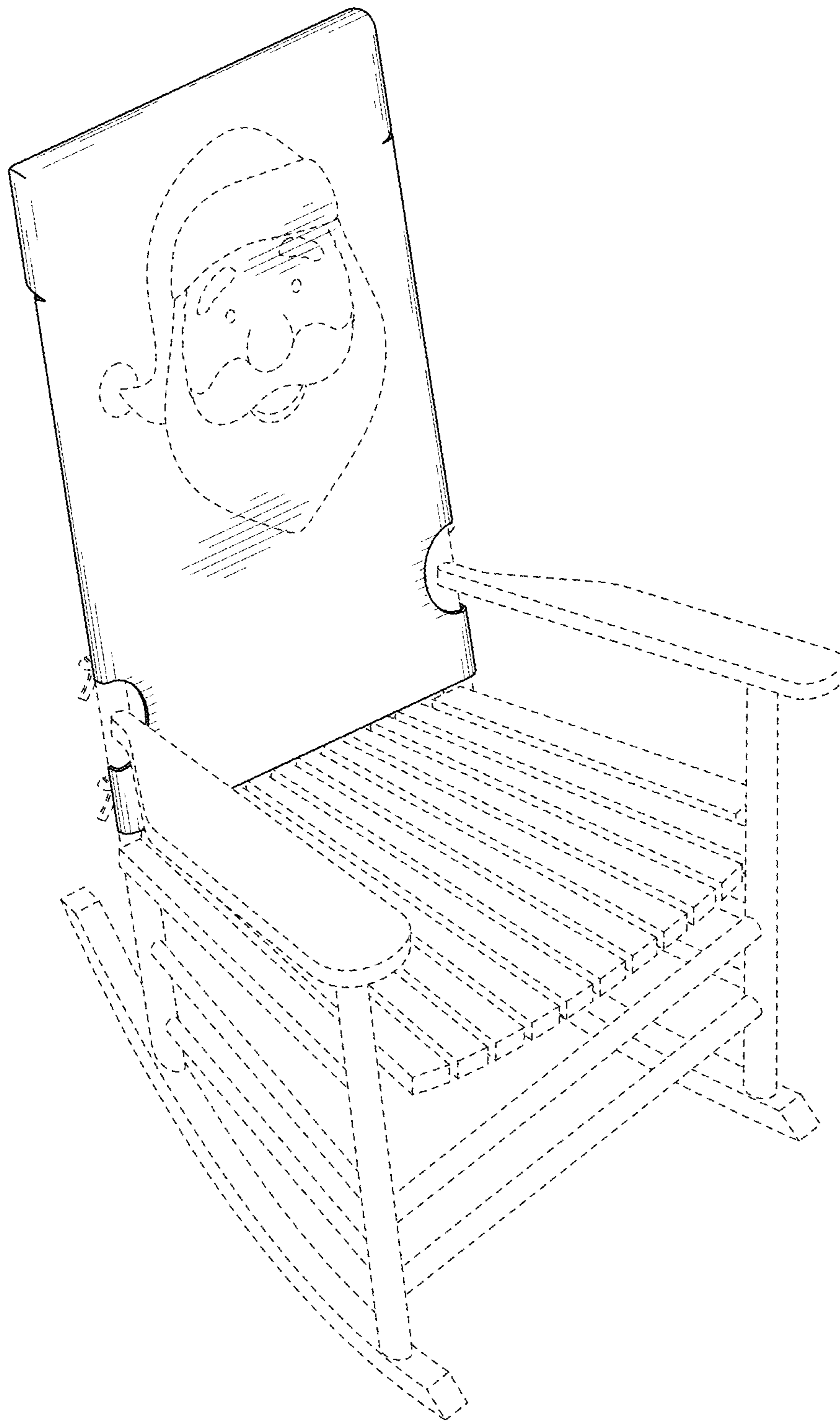


FIG. 8

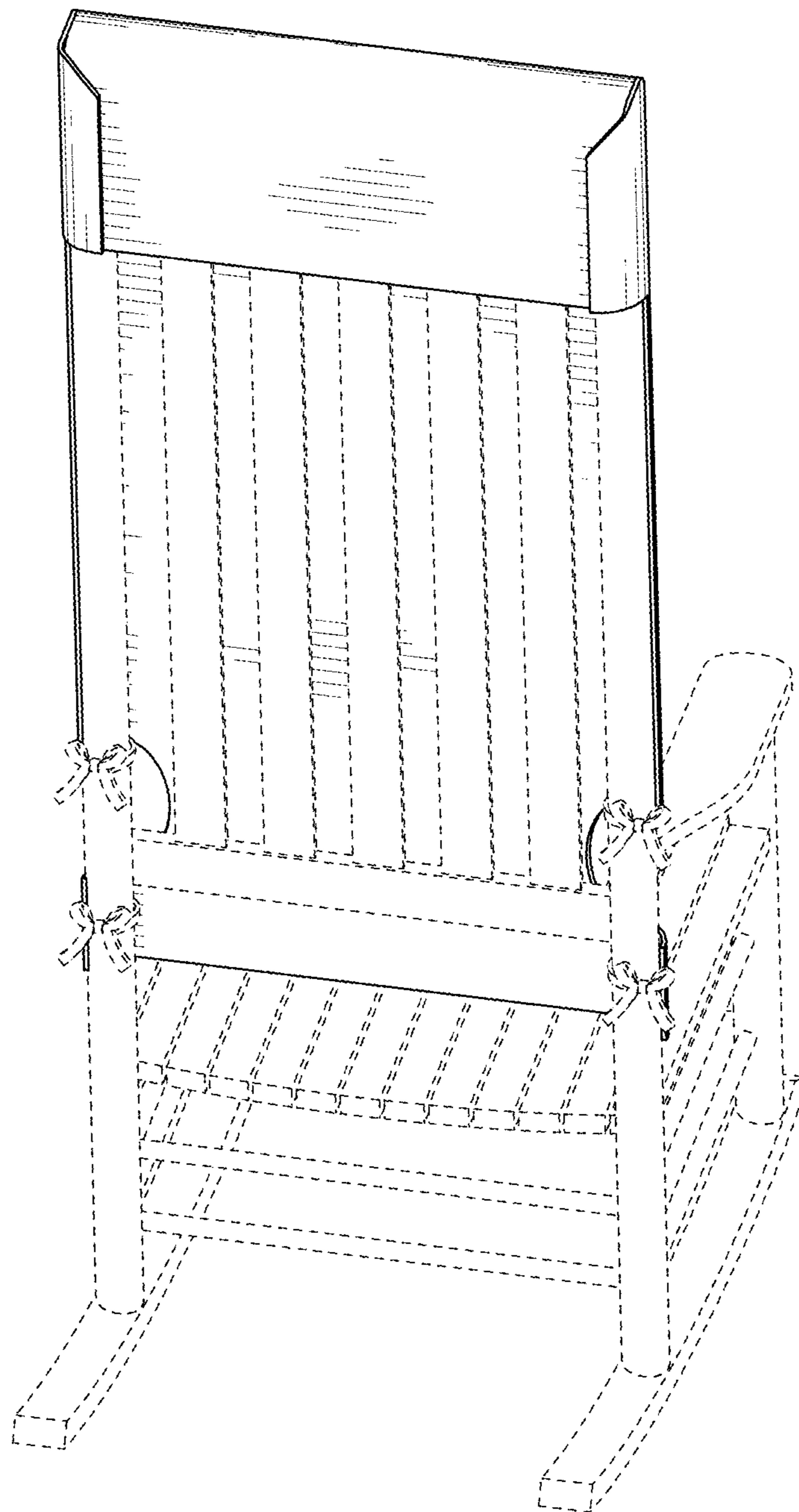


FIG. 9