



US00D735495S

(12) **United States Design Patent**
Pong

(10) **Patent No.:** **US D735,495 S**

(45) **Date of Patent:** **** Aug. 4, 2015**

(54) **SEAT PAD**

(71) Applicant: **Gang Laang Pong**, Taipei (TW)

(72) Inventor: **Gang Laang Pong**, Taipei (TW)

(**) Term: **14 Years**

(21) Appl. No.: **29/477,731**

(22) Filed: **Dec. 26, 2013**

(51) **LOC (10) Cl.** **06-09**

(52) **U.S. Cl.**
USPC **D6/601**

(58) **Field of Classification Search**
USPC D6/333, 349, 355, 375, 388, 512, 563,
D6/564, 595, 596, 601, 604, 611, 707, 715,
D6/716, 716.1; D24/183-185, 234;
D21/803, 804, 805, 809; 5/401, 420,
5/600, 630, 631, 632, 633, 635, 636, 638,
5/639, 646, 652, 652.1, 655, 703, 730;
128/202.18, 845; 297/1, 2, 4, 93,
297/180.11, 195.1, 195.11, 195.13, 393,
297/397, 452.12, 452.14, 452.15, 452.21,
297/452.24, 452.26, 452.48, 452.62, 482;
441/72, 80, 126, 127, 130
CPC A47G 9/10; A47G 9/1009; A47G 9/1018;
A47G 9/1027; A47G 9/1036; A47G 9/1045;
A47G 9/1063; A47G 9/1072; A47G 9/1081;
A47G 9/109; A47C 7/021; A47C 27/00
See application file for complete search history.

(56) **References Cited**

U.S. PATENT DOCUMENTS

685,663 A * 10/1901 Avery 297/452.24
D131,142 S * 1/1942 Bastront D6/596

3,291,522 A * 12/1966 Horowitz et al. 297/195.11
D213,870 S * 4/1969 Hamilton, II et al. D6/333
3,818,522 A * 6/1974 Schuster 5/652.1
D248,810 S * 8/1978 Day D6/375
D400,032 S * 10/1998 Richter D6/502
D460,300 S * 7/2002 Fifield et al. D6/502
D572,049 S * 7/2008 Kerr D6/500
D698,586 S * 2/2014 Davis et al. D6/601
8,671,482 B2 * 3/2014 Willingham 5/653
D715,567 S * 10/2014 Lensing D6/349
2005/0022305 A1 * 2/2005 Bieganeck et al. 5/630
2007/0057562 A1 * 3/2007 Gregory et al. 297/452.21
2009/0167041 A1 * 7/2009 James et al. 294/141
2010/0314929 A1 * 12/2010 Hsu 297/452.48

* cited by examiner

Primary Examiner — Eric Goodman

Assistant Examiner — Jennifer L Rempfer

(74) *Attorney, Agent, or Firm* — Rosenberg, Klein & Lee

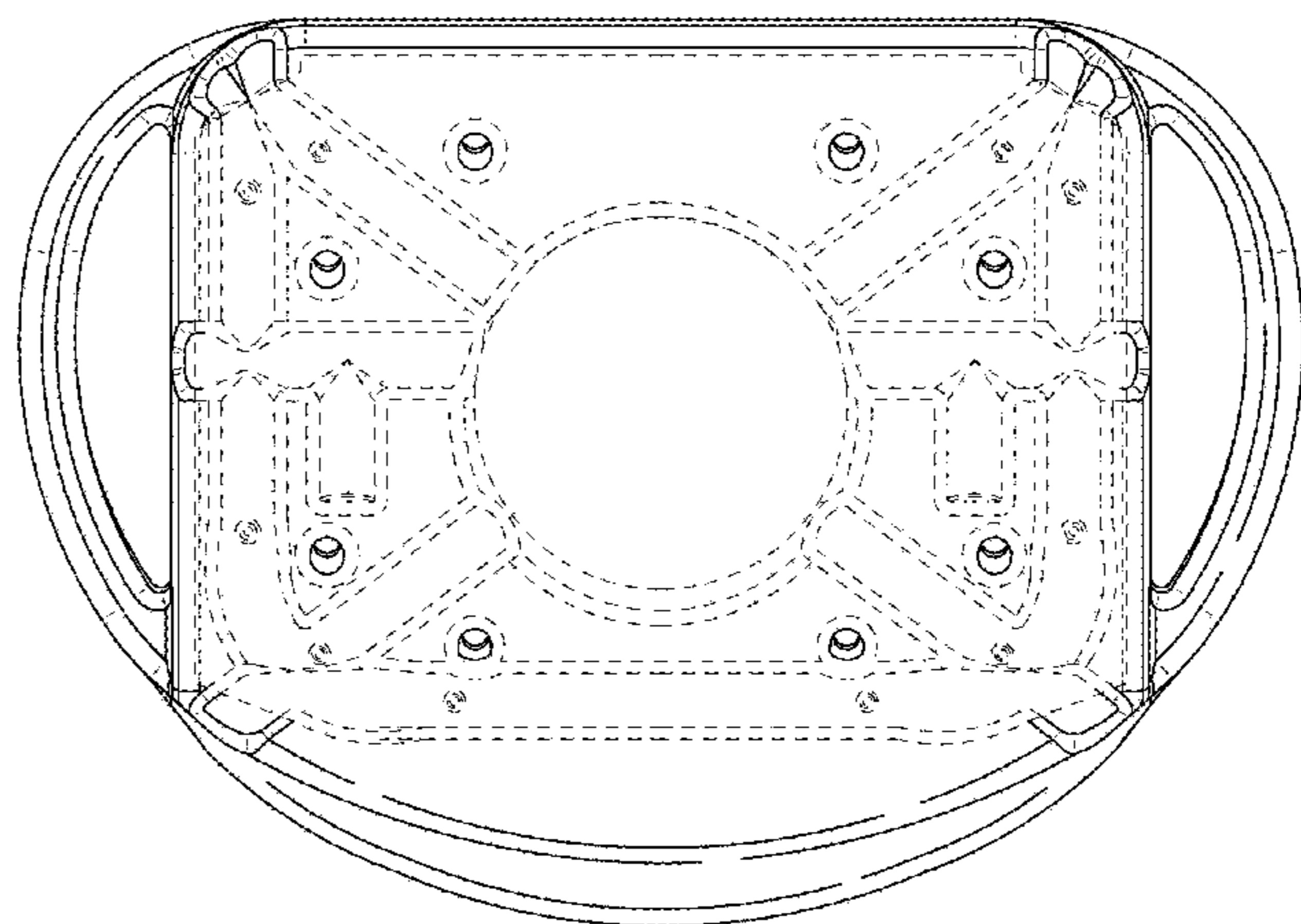
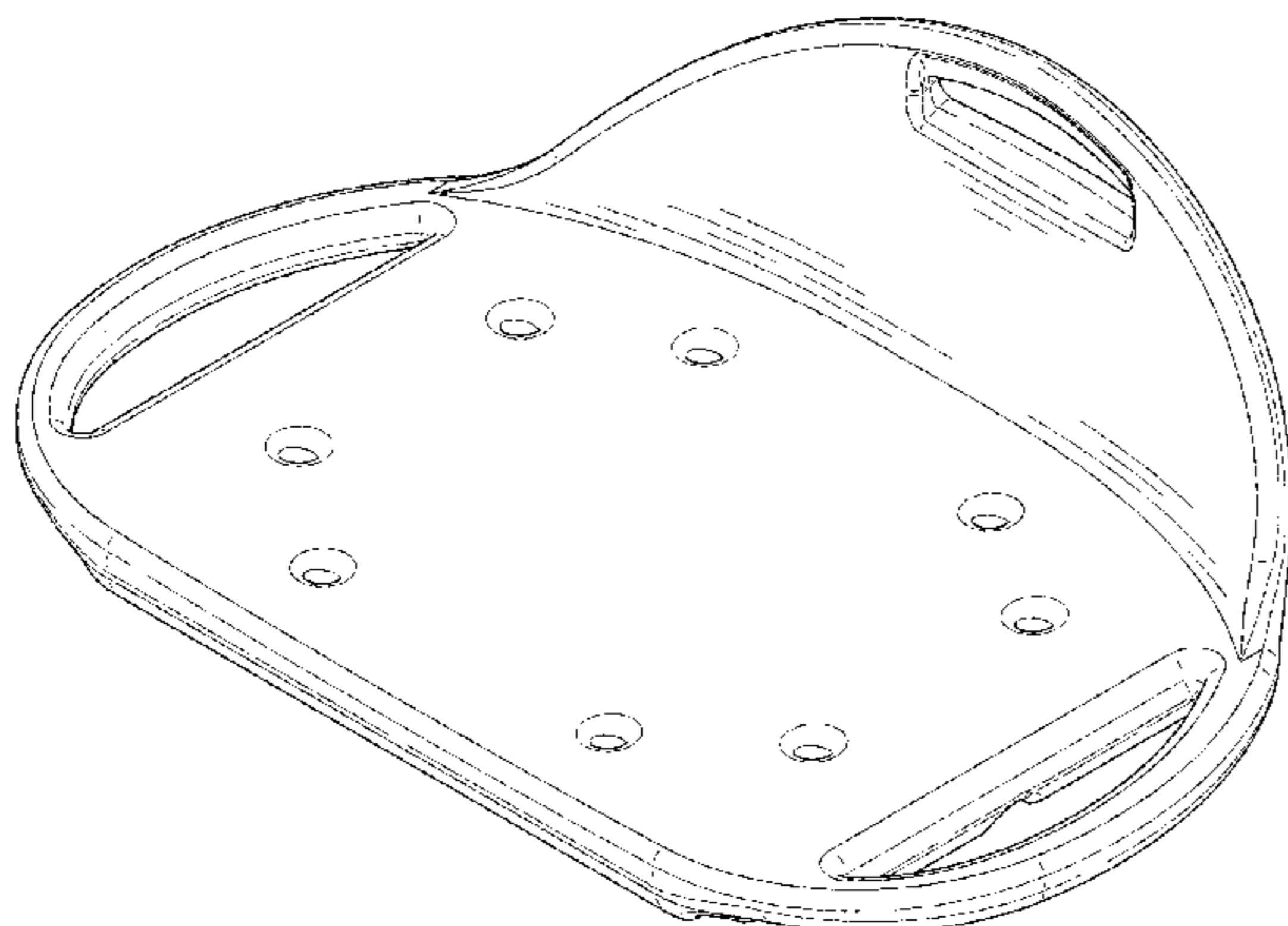
(57) **CLAIM**

The ornamental design for a seat pad, as shown and described.

DESCRIPTION

FIG. 1 is a perspective view of a seat pad, showing my new design;
FIG. 2 is a front elevational view thereof;
FIG. 3 is a rear elevational view thereof;
FIG. 4 is a left side elevational view thereof;
FIG. 5 is a right side elevational view thereof;
FIG. 6 is a top plan view thereof; and,
FIG. 7 is a bottom plan view thereof.
The broken lines in the drawings illustrate the portions of the design that form no part of the claim.

1 Claim, 7 Drawing Sheets



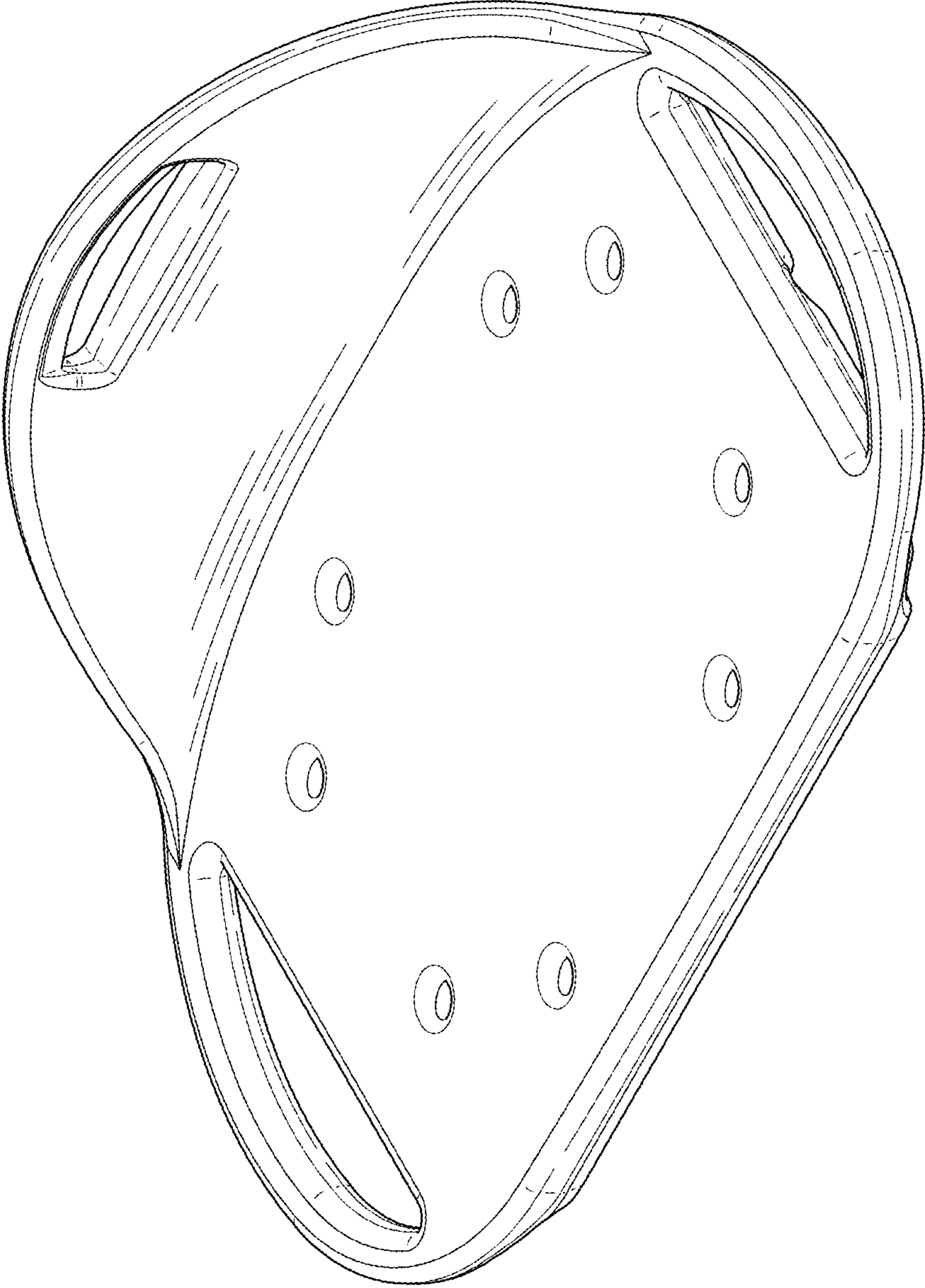


FIG.1

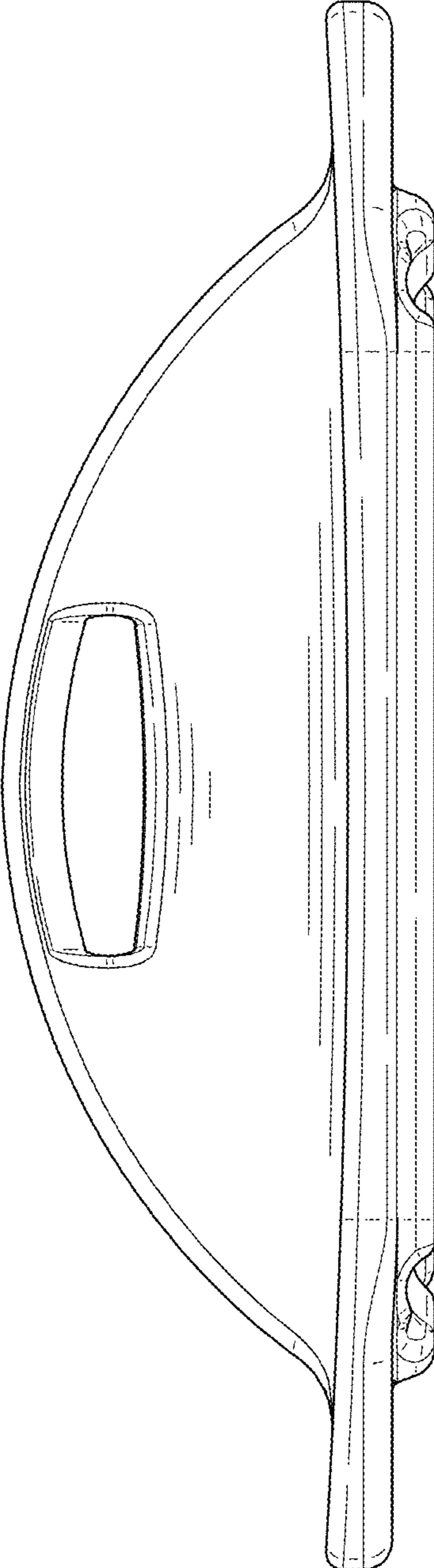


FIG. 2

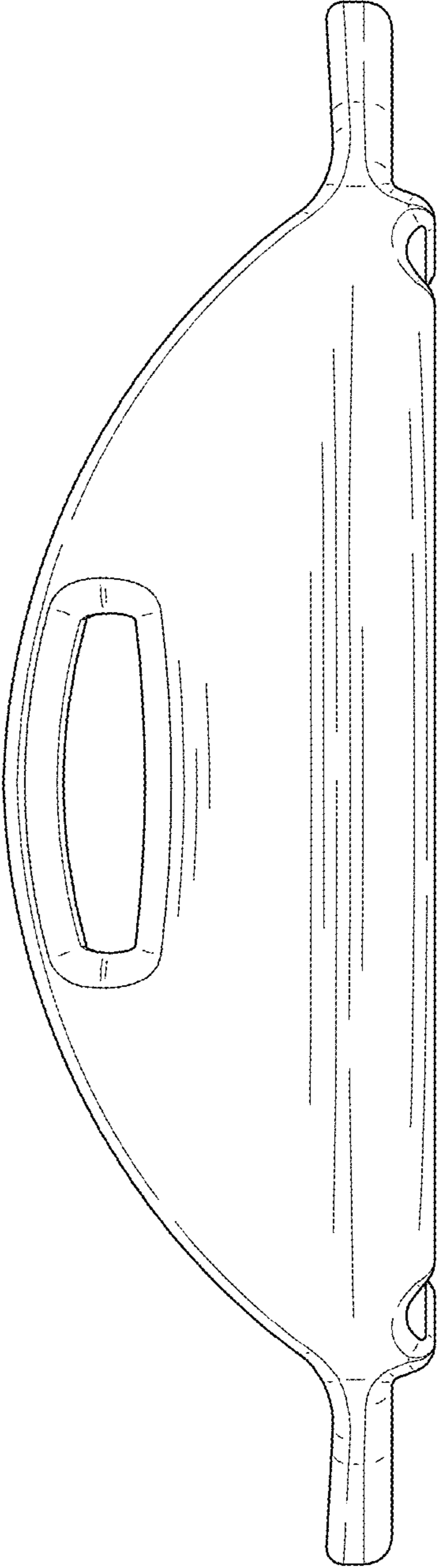


FIG.3

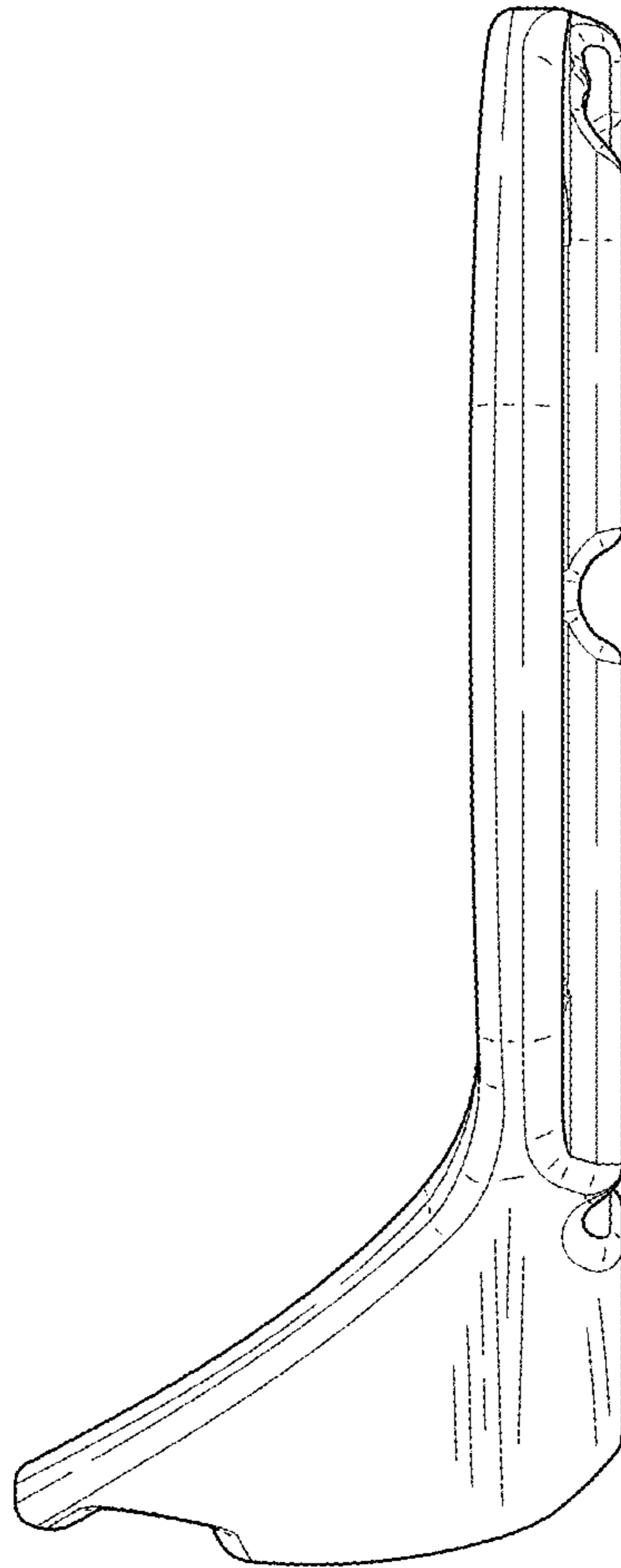


FIG.4

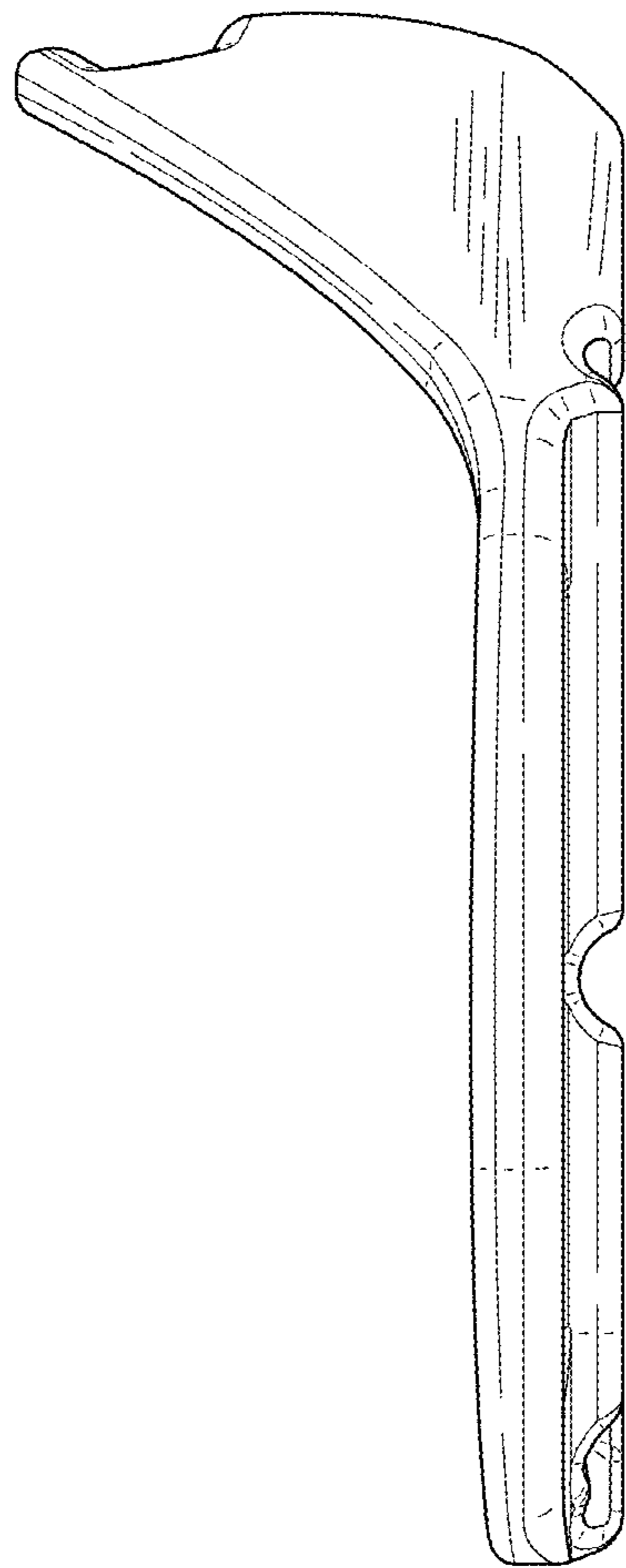


FIG.5

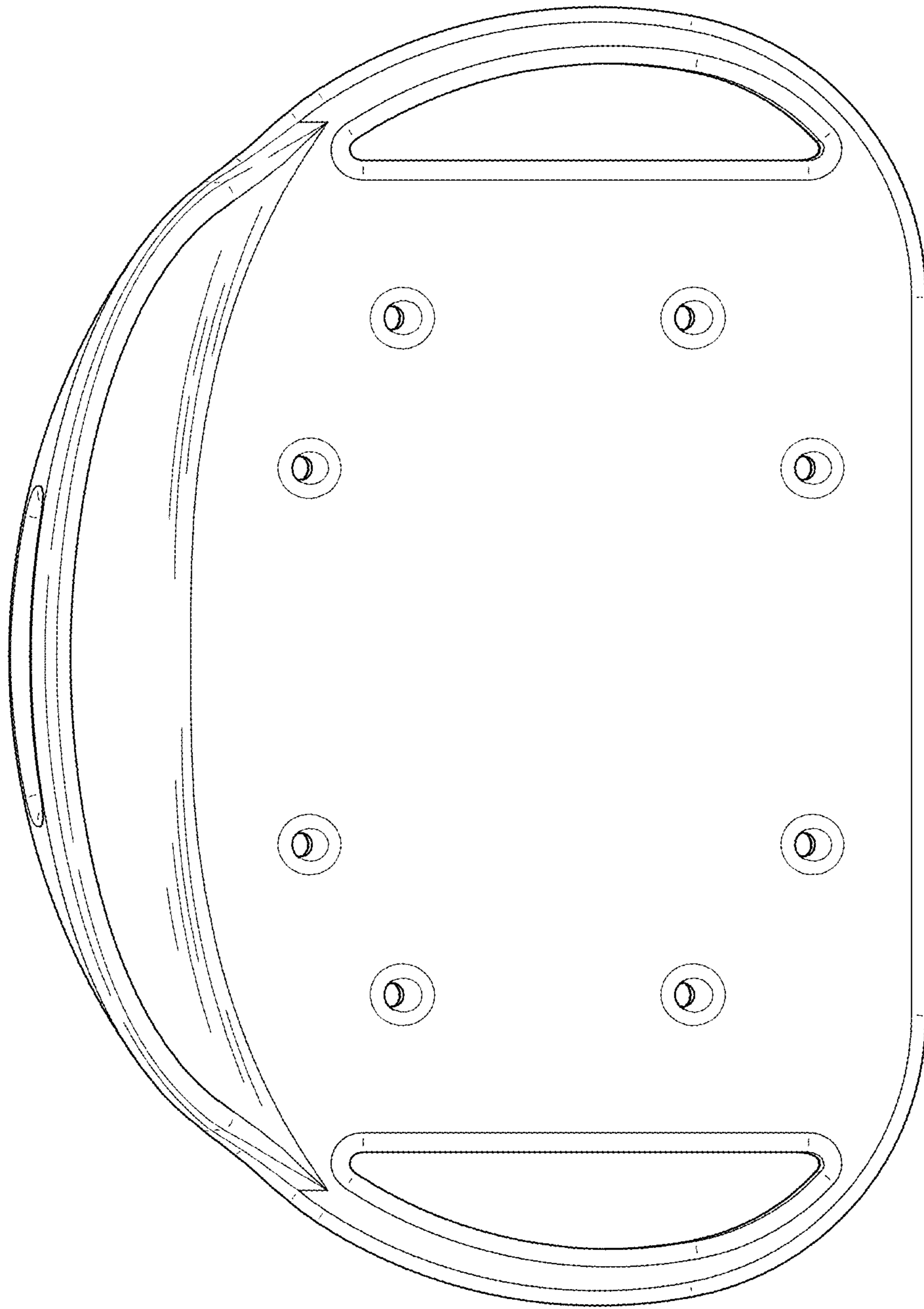


FIG.6

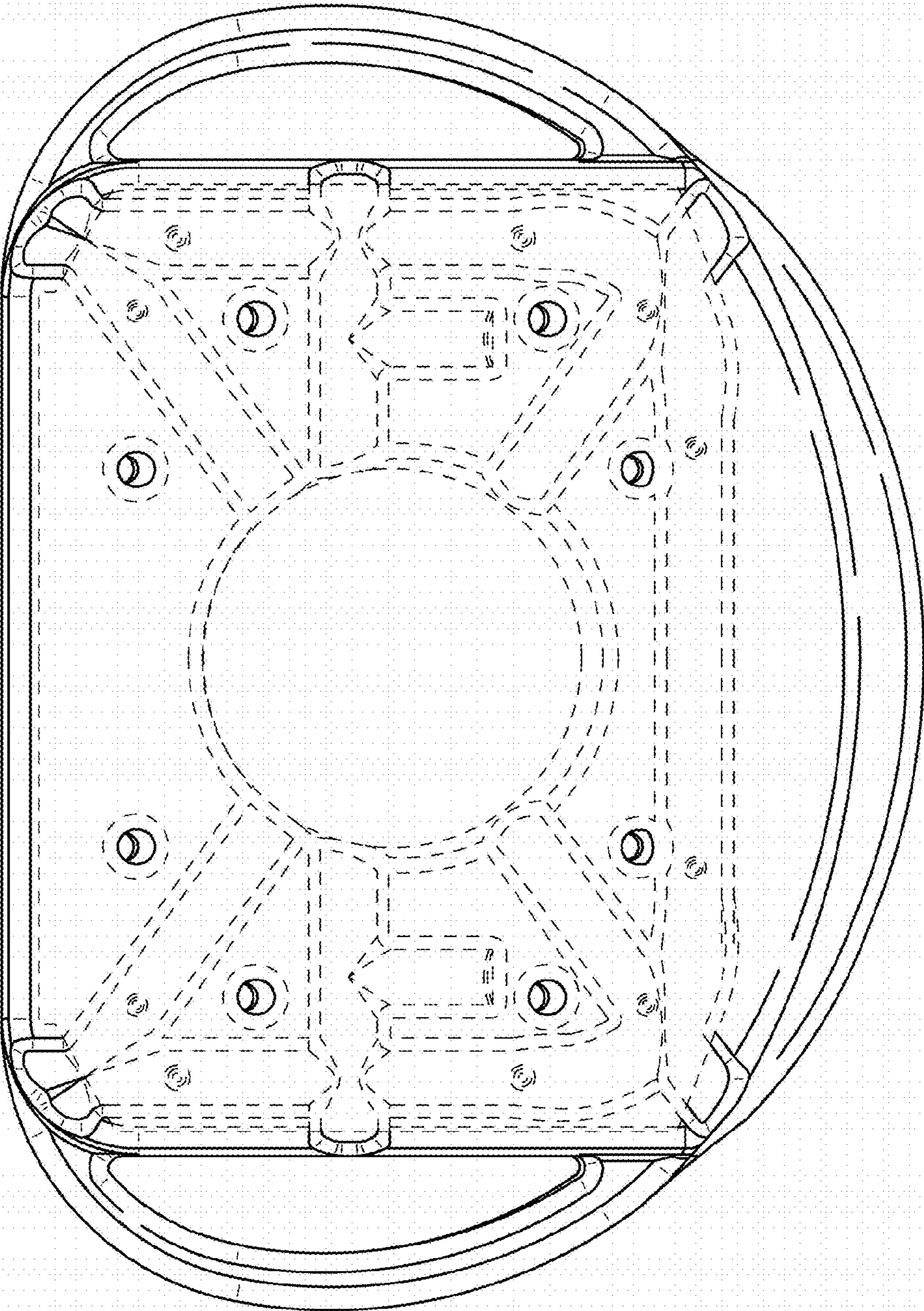


FIG. 7