



US00D735494S

(12) **United States Design Patent**
Wendling

(10) **Patent No.:** **US D735,494 S**
(45) **Date of Patent:** **** Aug. 4, 2015**

- (54) **SHOE CLEANING MAT**
- (71) Applicant: **Allan Wendling**, New Lothrop, MI (US)
- (72) Inventor: **Allan Wendling**, New Lothrop, MI (US)
- (**) Term: **14 Years**
- (21) Appl. No.: **29/502,386**
- (22) Filed: **Sep. 16, 2014**

Related U.S. Application Data

- (63) Continuation-in-part of application No. 29/445,426, filed on Feb. 12, 2013, now abandoned.
- (51) **LOC (10) Cl.** **06-11**
- (52) **U.S. Cl.**
USPC **D6/583**
- (58) **Field of Classification Search**
USPC D2/860; D5/63; D6/582-592, 598,
D6/601-603, 606, 612-614, 617-619,
D6/707.1, 707.12, 707.16, 707.18, 707.22;
D7/550.1, 555, 556, 571, 578;
D21/312, 334, 350, 361; D25/68, 69;
D32/55, 56, 57; 273/127 B, 277
CPC A47G 11/00; A47G 23/06; A47G 23/08;
A47G 23/12; A47G 27/02; A47G 27/025;
A47G 27/0275; A47G 27/0281; A47G
27/0287; A47L 23/22; A47L 23/26; A63F
3/00028
See application file for complete search history.

(56) **References Cited**

U.S. PATENT DOCUMENTS

2,061,664	A	11/1936	Lincoln	
D117,134	S	10/1939	Uihlein	
D190,241	S	* 5/1961	Miller D21/792
D200,295	S	2/1965	Lea	
3,323,151	A	6/1967	Lerman	
D221,400	S	* 8/1971	O'Donnell D6/583
3,599,982	A	* 8/1971	Elesh 473/278

3,823,058	A	*	7/1974	Yamaguchi	428/85
4,662,851	A		5/1987	Foster		
4,856,654	A		8/1989	Reuben		
4,926,512	A		5/1990	Coyle		
5,154,961	A		10/1992	Reuben		
5,257,427	A		11/1993	Hinshaw		
D353,864	S		12/1994	Thompson		
D436,390	S	*	1/2001	Hooper et al.	D21/792
6,177,164	B1		1/2001	Sullens et al.		
6,254,693	B1		7/2001	Dawson et al.		
D477,744	S	*	7/2003	Kelly	D6/603
6,737,150	B2		5/2004	Zahler et al.		
D609,042	S	*	2/2010	Wilmsen	D6/583
7,694,788	B2		4/2010	Hann		
D628,005	S		11/2010	Chapman et al.		
D658,918	S		5/2012	Brinker et al.		

(Continued)

OTHER PUBLICATIONS

"Already Have a Traction board? Replacement sheets fit any competitor!" Allen Wendling. Jan. 29, 2012. Web. Accessed Jun. 4, 2015. <<https://www.youtube.com/watch?v=rfQrHdvO014>>.*

Primary Examiner — Karen S Acker

Assistant Examiner — Clare Ann Gannon

(74) *Attorney, Agent, or Firm* — Gifford, Krass, Sprinkle, Anderson & Citkowski, P.C.

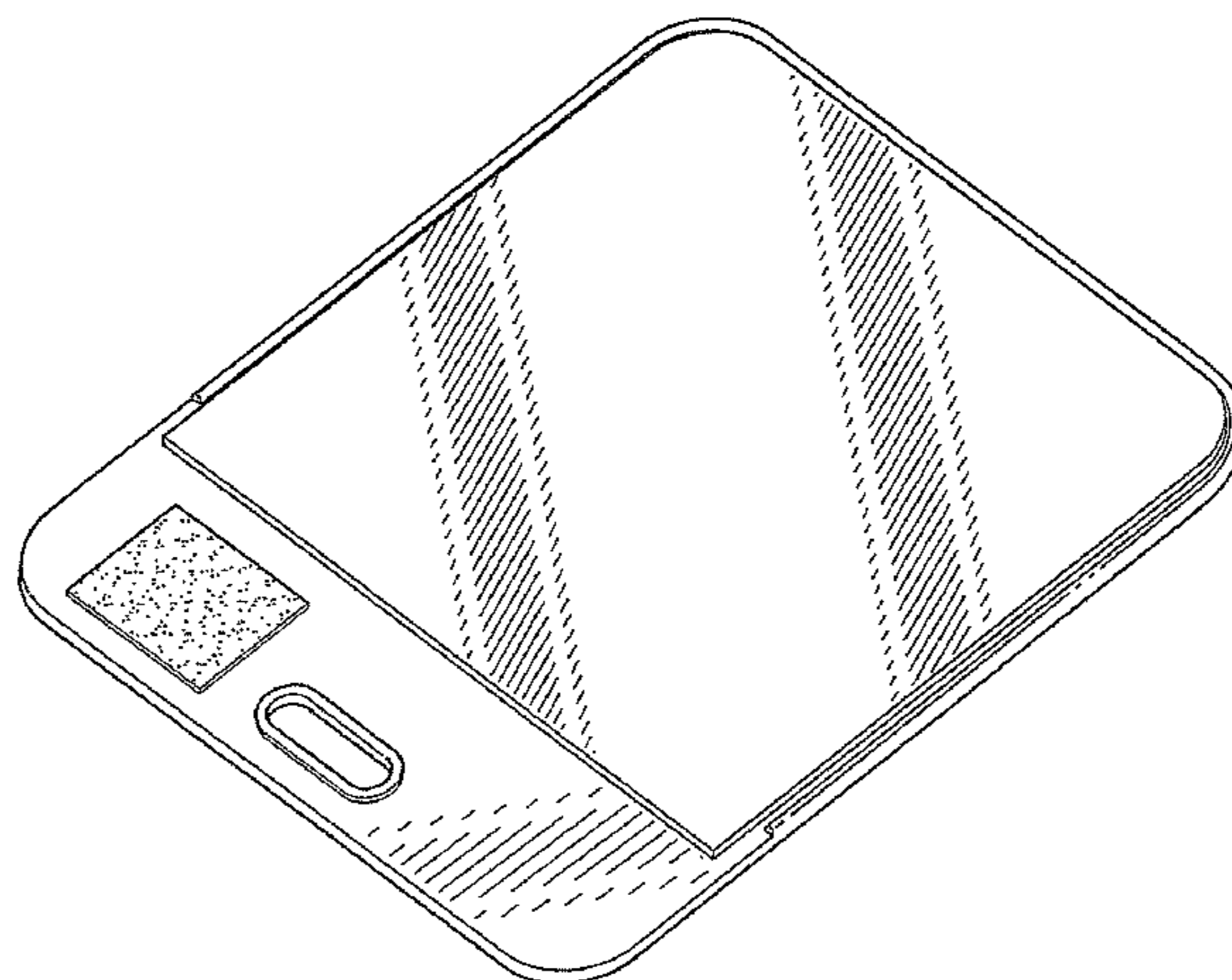
(57) **CLAIM**

The ornamental design for a shoe cleaning mat, as shown and described.

DESCRIPTION

FIG. 1 is a perspective view of the shoe cleaning mat of the present invention;
FIG. 2 is a back view thereof;
FIG. 3 is a top end view thereof;
FIG. 4 is a front view thereof;
FIG. 5 is a bottom end view thereof;
FIG. 6 is a left side view thereof; and,
FIG. 7 is a right side view thereof.

1 Claim, 2 Drawing Sheets



(56)

References Cited

U.S. PATENT DOCUMENTS

D658,919 S 5/2012 Brinker et al.
D659,458 S 5/2012 Lerman
D668,423 S 10/2012 Brockington et al.

D683,972 S * 6/2013 Leonard et al. D5/64
2004/0088789 A1 * 5/2004 Mitchell 5/420
2004/0136614 A1 7/2004 Seidler
2004/0229731 A1 11/2004 Mitchell
2010/0209661 A1 8/2010 Wilmsen

* cited by examiner

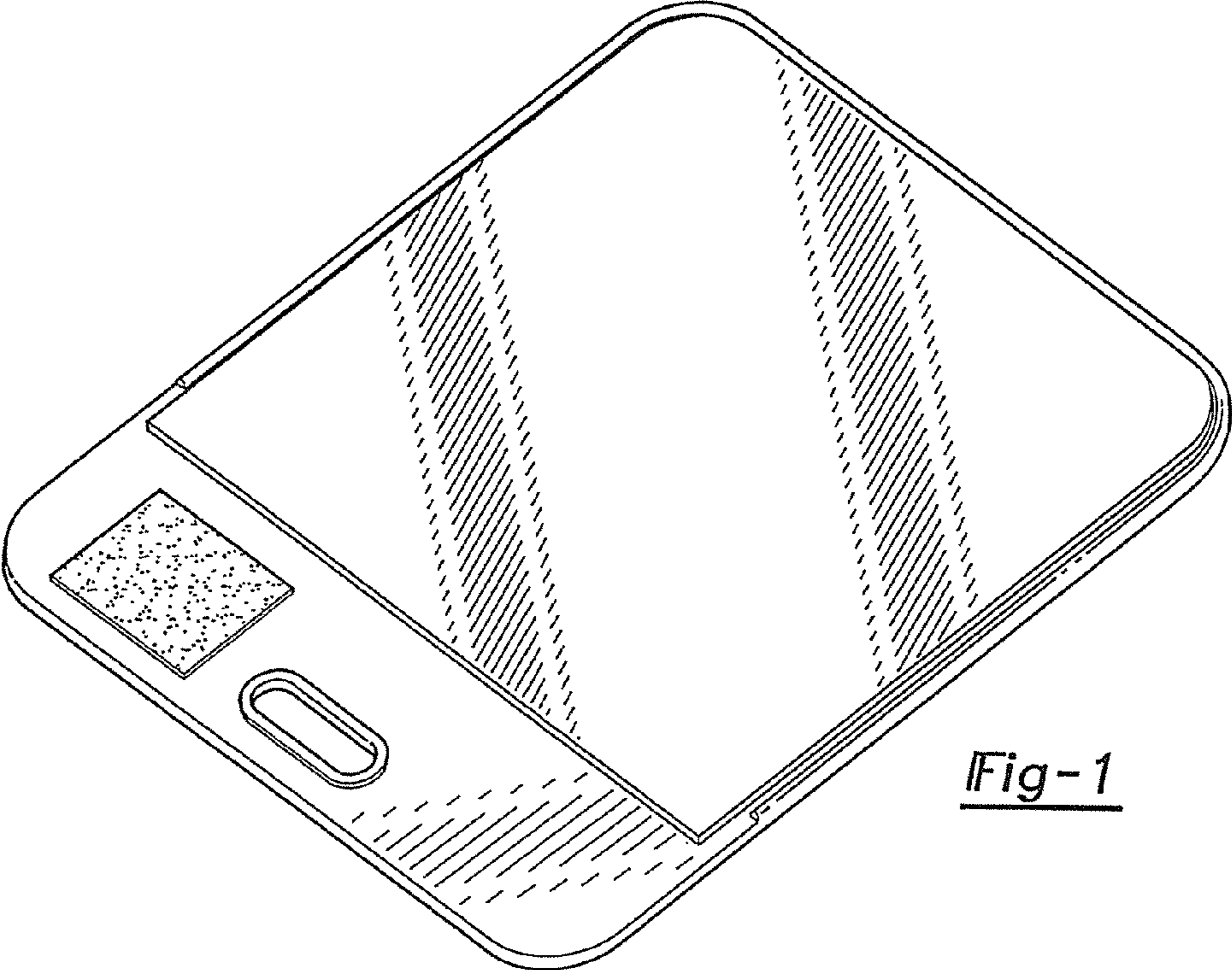


Fig-1

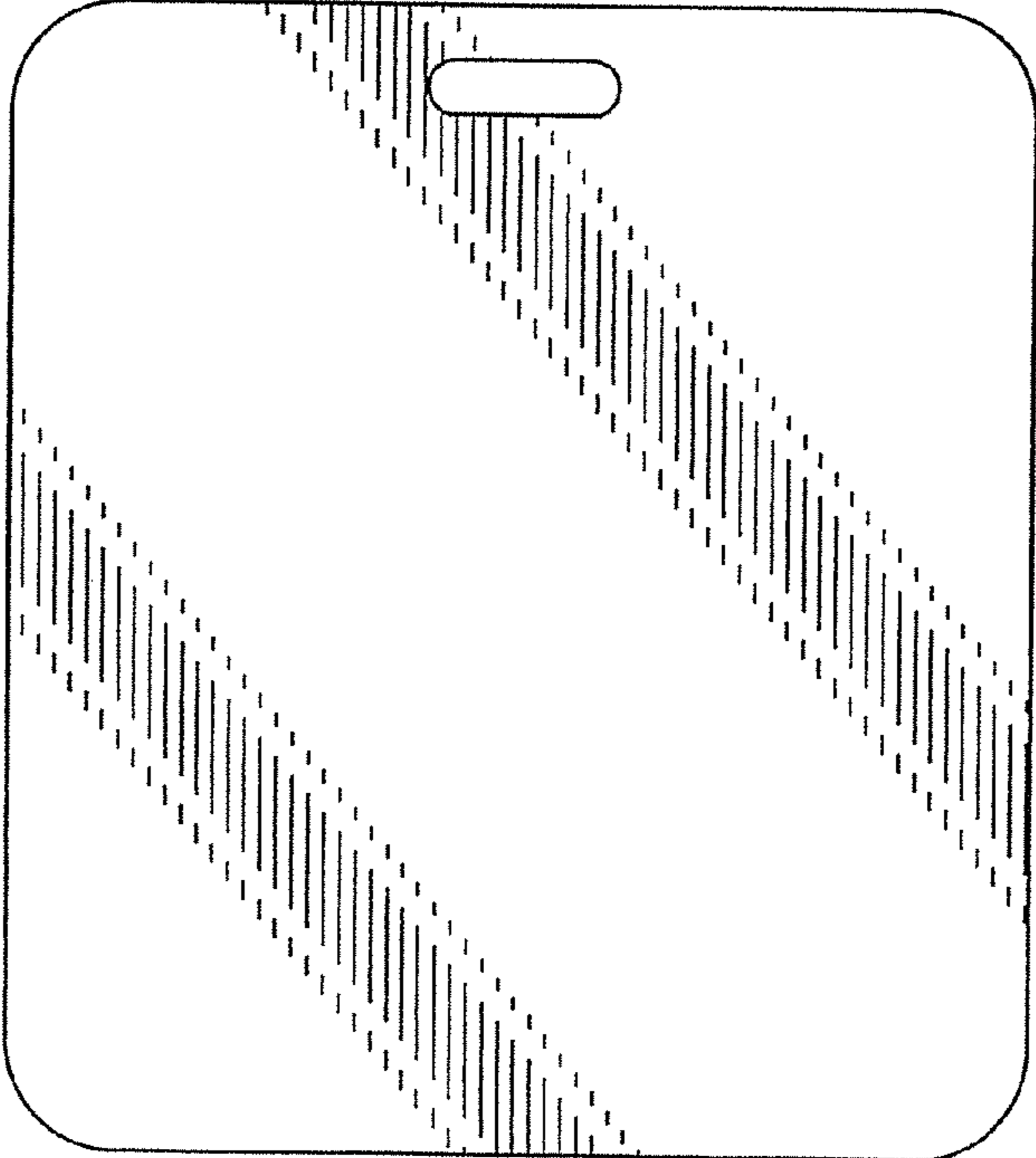


Fig-2

Fig-3

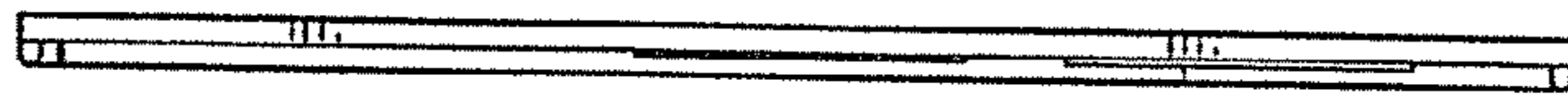


Fig-6

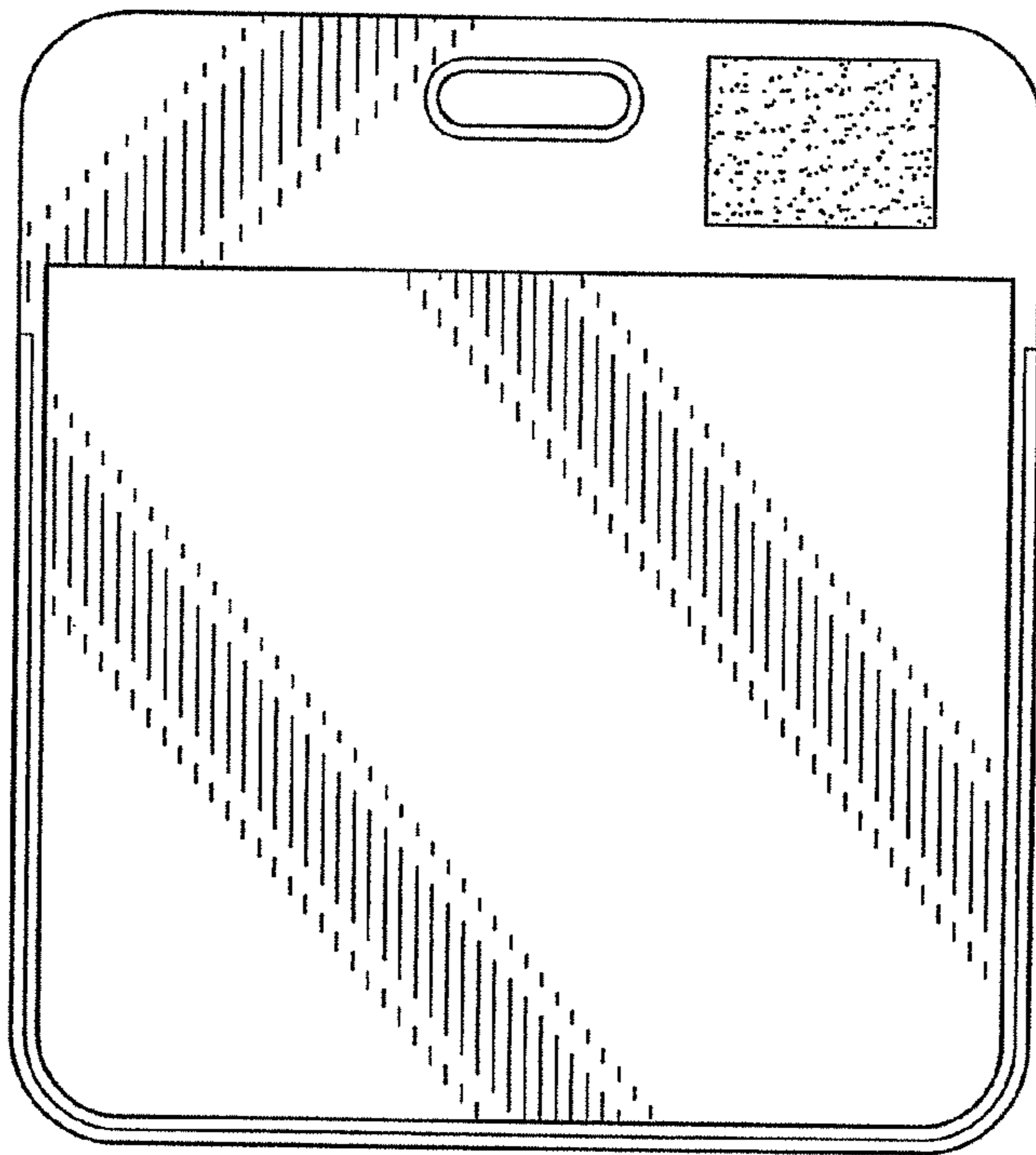


Fig-4



Fig-7



Fig-5