



US00D735491S

(12) **United States Design Patent**
Vidal

(10) **Patent No.:** **US D735,491 S**

(45) **Date of Patent:** **** Aug. 4, 2015**

(54) **ACCESSORY RACK FOR A PONTOONED FISHING FLOAT TUBE**

(71) Applicant: **Darryl Vidal**, San Diego, CA (US)

(72) Inventor: **Darryl Vidal**, San Diego, CA (US)

(73) Assignee: **Team Fish, Inc.**, San Diego, CA (US)

(**) Term: **14 Years**

(21) Appl. No.: **29/460,706**

(22) Filed: **Jul. 12, 2013**

(51) **LOC (10) Cl.** **08-08**

(52) **U.S. Cl.**
USPC **D6/552**

(58) **Field of Classification Search**
USPC D6/552, 553, 567; D8/14, 349, 354,
D8/363, 373, 376; D22/109; D12/304,
D12/317; 43/21.2; 441/130; 211/13.1, 175,
211/182, 189, 123, 86.01, 70.8, 60.1, 7
See application file for complete search history.

(56) **References Cited**

U.S. PATENT DOCUMENTS

5,033,223	A *	7/1991	Minter	43/21.2
5,290,196	A *	3/1994	Steel	441/130
5,394,822	A *	3/1995	Worland	D12/317
5,560,137	A *	10/1996	Herring	43/21.2
5,715,952	A *	2/1998	Chichetti	211/70.8
D456,759	S *	5/2002	Christian et al.	D12/317
6,796,078	B1 *	9/2004	Bowman	211/70.8

6,962,018	B1 *	11/2005	King	43/21.2
D572,115	S *	7/2008	Cunningham et al.	D8/354
D598,689	S *	8/2009	McDonald	D6/552
D633,851	S *	3/2011	Scadden	D12/304
7,937,883	B2 *	5/2011	Roemer et al.	43/21.2
D655,548	S *	3/2012	Lawrence	D6/552
D662,745	S *	7/2012	Zalewski	D6/552
D702,056	S *	4/2014	Palkiewicz et al.	D6/552

* cited by examiner

Primary Examiner — Brian N Vinson

(74) *Attorney, Agent, or Firm* — Charmasson Buchaca & Leach, LLP

(57) **CLAIM**

The ornamental design for an accessory rack for a pontooned fishing float tube, as shown and described.

DESCRIPTION

FIG. 1 is a top, front, right side perspective view of an accessory rack for a pontooned fishing float tube showing my new design having a single arcuate rack portion using integrally formed members.

FIG. 2 is a bottom, back, left side perspective view thereof.

FIG. 3 is a front plan view thereof.

FIG. 4 is a back plan view thereof.

FIG. 5 is a top plan view thereof.

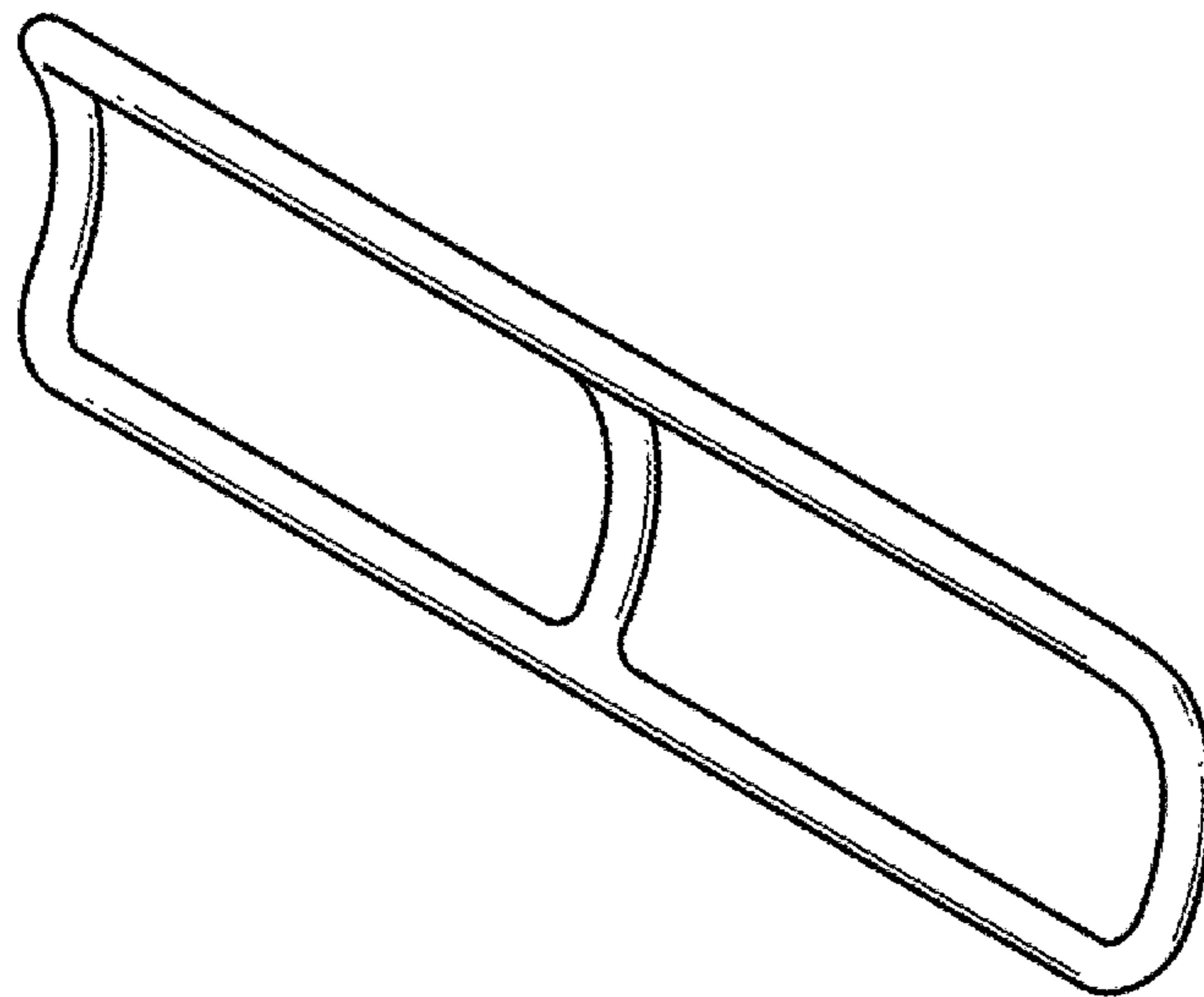
FIG. 6 is a bottom plan view thereof.

FIG. 7 is a right side plan view thereof; and,

FIG. 8 is a left side plan view thereof.

Shading lines are used to show solid structures and are not intended to indicate surface decoration.

1 Claim, 1 Drawing Sheet



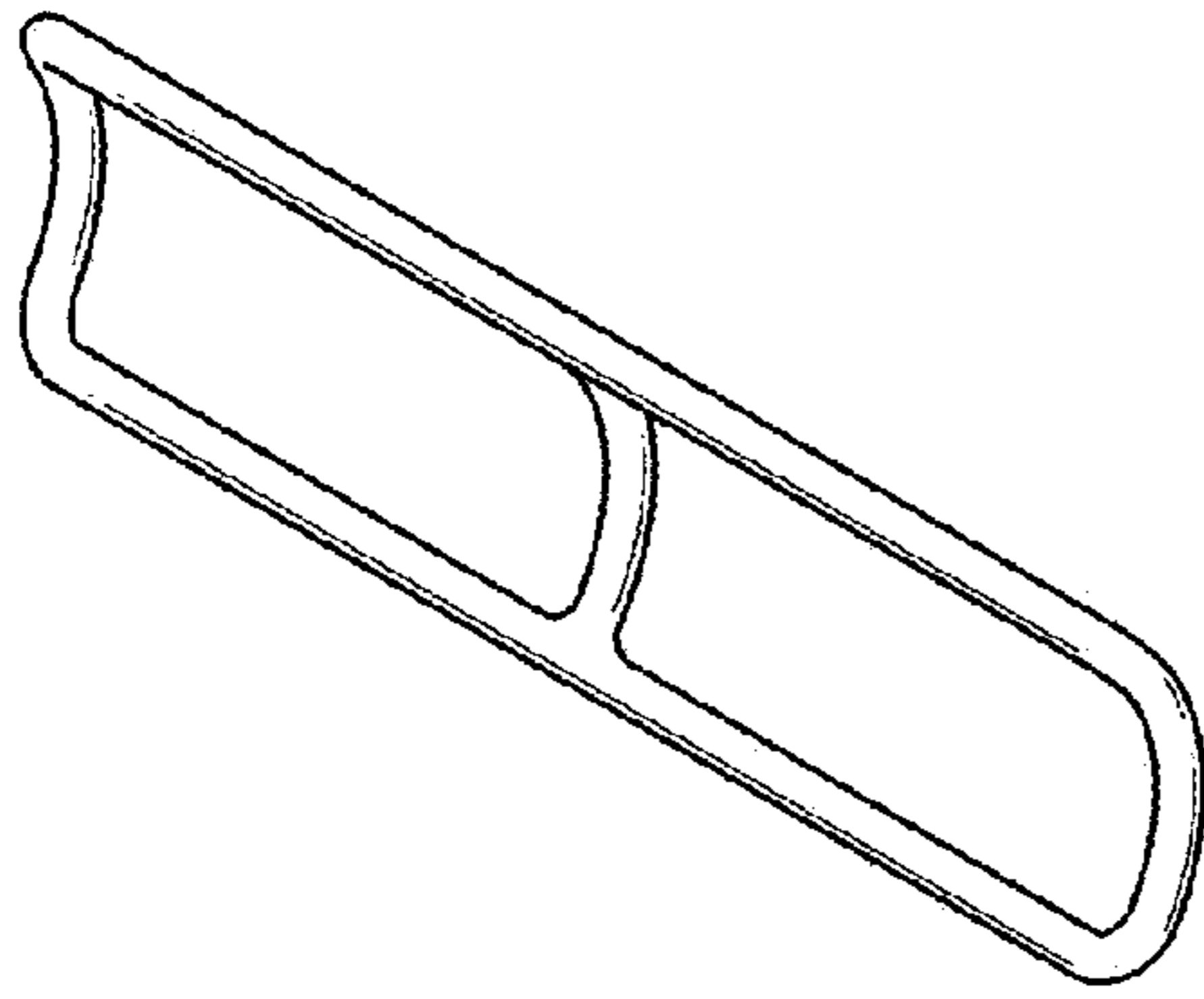


FIG. 1

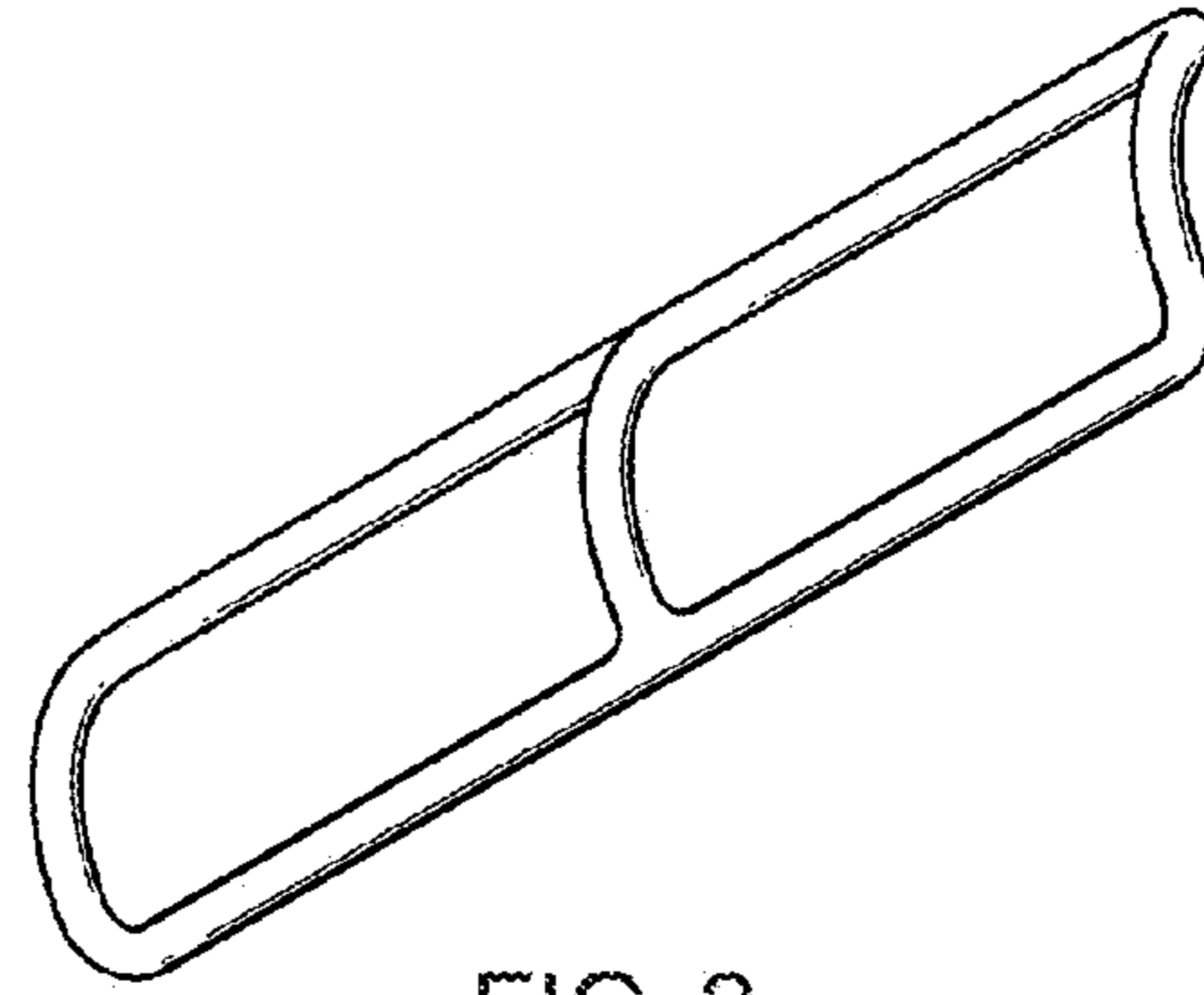


FIG. 2



FIG. 3

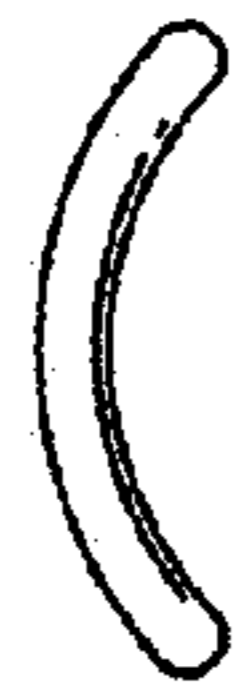


FIG. 4



FIG. 5

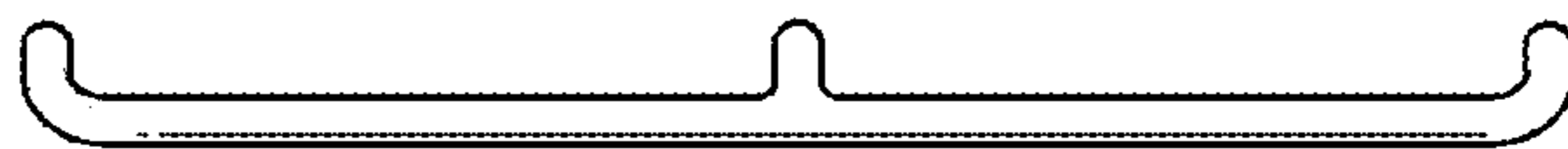


FIG. 6

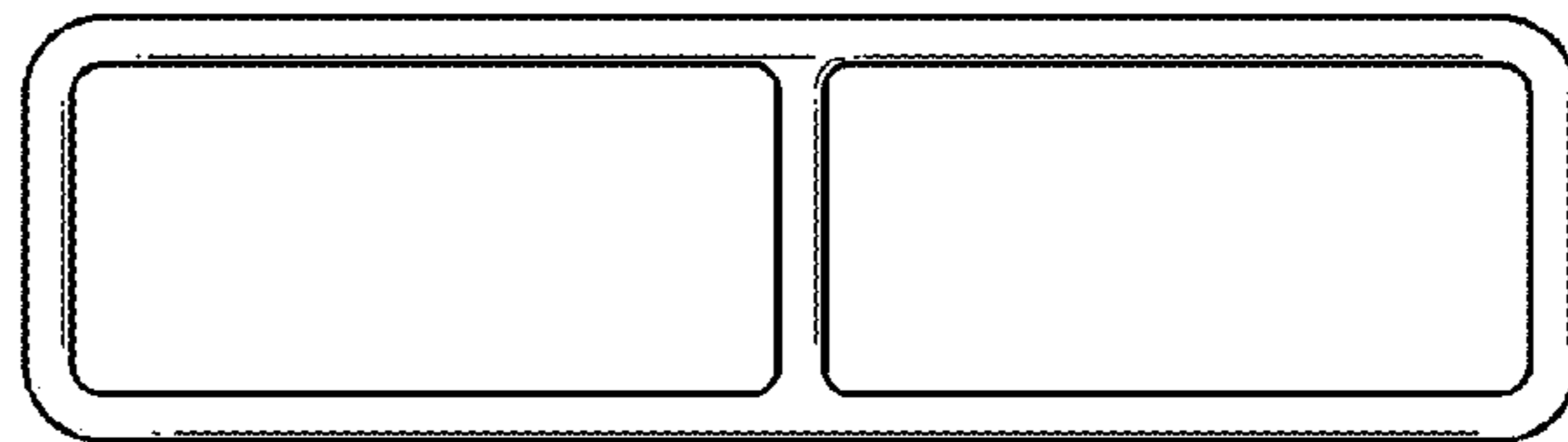


FIG. 7

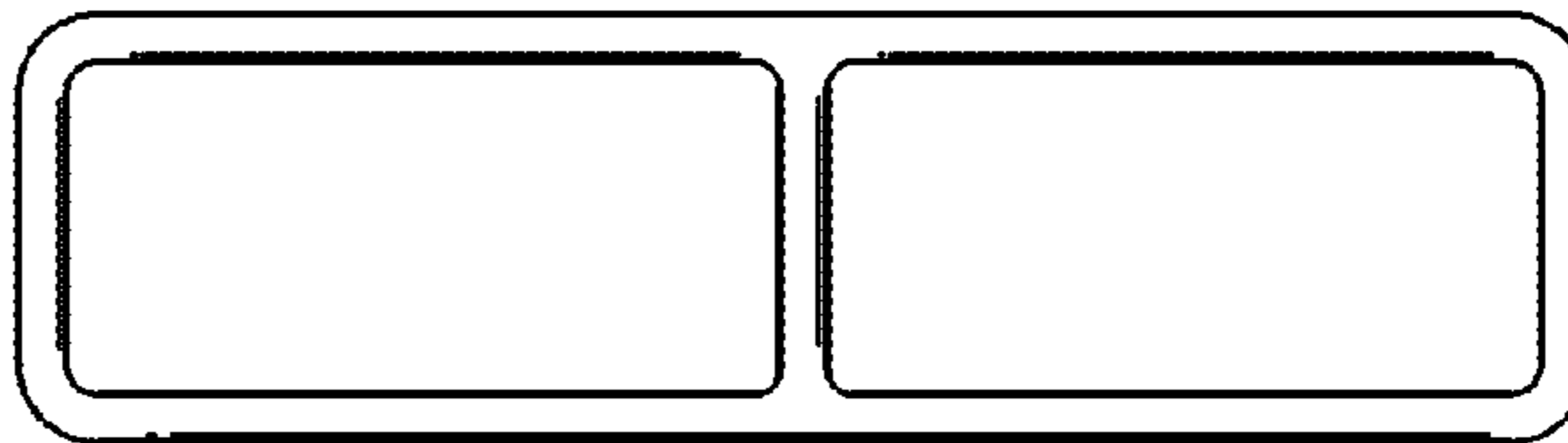


FIG. 8