



US00D735489S

(12) **United States Design Patent**
MacKay

(10) **Patent No.:** **US D735,489 S**

(45) **Date of Patent:** **** Aug. 4, 2015**

- (54) **DISPENSER AND WASTE CABINET**
- (71) Applicant: **BOBRICK WASHROOM EQUIPMENT, INC.**, North Hollywood, CA (US)
- (72) Inventor: **Spencer MacKay**, Agoura Hills, CA (US)
- (73) Assignee: **Bobrick Washroom Equipment, Inc.**, North Hollywood, CA (US)
- (**) Term: **14 Years**

- D334,266 S * 3/1993 Hines D34/6
- D338,361 S * 8/1993 Hines D6/524
- D340,374 S * 10/1993 Hines D6/519
- D341,724 S * 11/1993 Hines D6/522
- D342,175 S * 12/1993 Hines D6/522
- D385,445 S 10/1997 Arbak et al.
- D401,708 S * 11/1998 Arbak et al. D34/1
- D416,726 S 11/1999 Kurti et al.
- 6,032,819 A 3/2000 Hanna
- D426,412 S 6/2000 Cameron
- D532,784 S 11/2006 Kutaragi et al.
- D534,166 S 12/2006 Kutaragi et al.
- D568,311 S 5/2008 Kutaragi et al.
- D648,844 S 11/2011 Nelson et al.
- D655,959 S * 3/2012 Kluck D6/519

(Continued)

(21) Appl. No.: **29/457,228**

(22) Filed: **Jun. 7, 2013**

Primary Examiner — Cathron Brooks

Assistant Examiner — Teddy Falloway

(74) *Attorney, Agent, or Firm* — Christie, Parker & Hale, LLP

Related U.S. Application Data

(62) Division of application No. 29/403,810, filed on Oct. 11, 2011, now Pat. No. Des. 686,840.

(51) **LOC (10) Cl.** **20-02**

(52) **U.S. Cl.**
USPC **D6/519**

(58) **Field of Classification Search**
USPC D6/449, 396, 467, 476, 397, 398, 515, D6/519, 518, 524, 522; 221/45, 63, 135, 221/155, 44, 311; D24/107; D14/356; D34/6, 1; 242/598.6
See application file for complete search history.

(56) **References Cited**

U.S. PATENT DOCUMENTS

- 3,028,047 A 4/1962 Tuft
- 5,042,687 A 8/1991 McKinley
- 5,074,430 A 12/1991 Roberts
- D332,195 S * 1/1993 Hines D6/519
- D332,196 S * 1/1993 Hines D6/519
- D332,365 S * 1/1993 Hines D6/515
- D332,542 S * 1/1993 Hines D6/518
- D332,679 S * 1/1993 Hines D34/6

(57) **CLAIM**

The ornamental design for dispenser and waste cabinet, as shown and described.

DESCRIPTION

FIG. 1 is a perspective view of our new dispenser and waste cabinet design;

FIG. 2 is a front view of our new dispenser and waste cabinet design;

FIG. 3 is a left side view of our new dispenser and waste cabinet design;

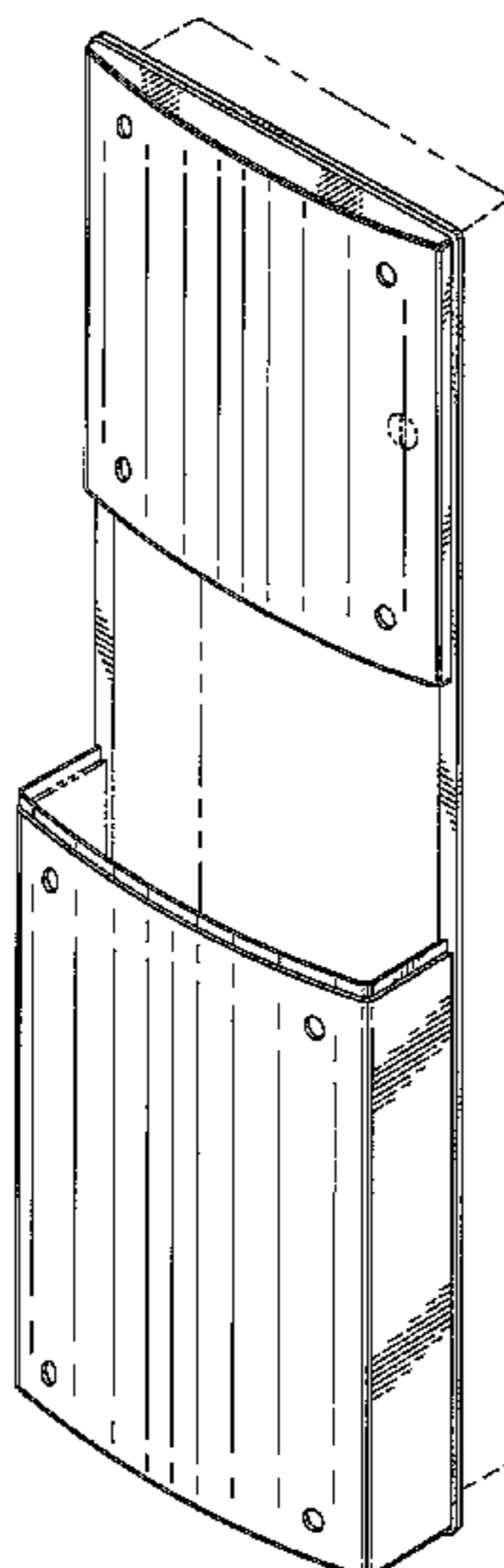
FIG. 4 is a right side view of our new dispenser and waste cabinet design;

FIG. 5 is a top view of our new dispenser and waste cabinet design; and,

FIG. 6 is a bottom view of our new dispenser and waste cabinet design.

The broken lines shown are included for the purpose of illustrating portions of the dispenser and waste cabinet that form no part of the claimed design.

1 Claim, 4 Drawing Sheets



US D735,489 S

Page 2

(56)

References Cited

U.S. PATENT DOCUMENTS

D655,960 S * 3/2012 Kluck D6/519
D663,560 S * 7/2012 Kluck D6/515
D685,591 S * 7/2013 Kluck D6/515

2007/0023565 A1* 2/2007 Babikian 242/598.6
2010/0327000 A1 12/2010 Winslow et al.
2011/0114661 A1 5/2011 Babikian

* cited by examiner

FIG. 1

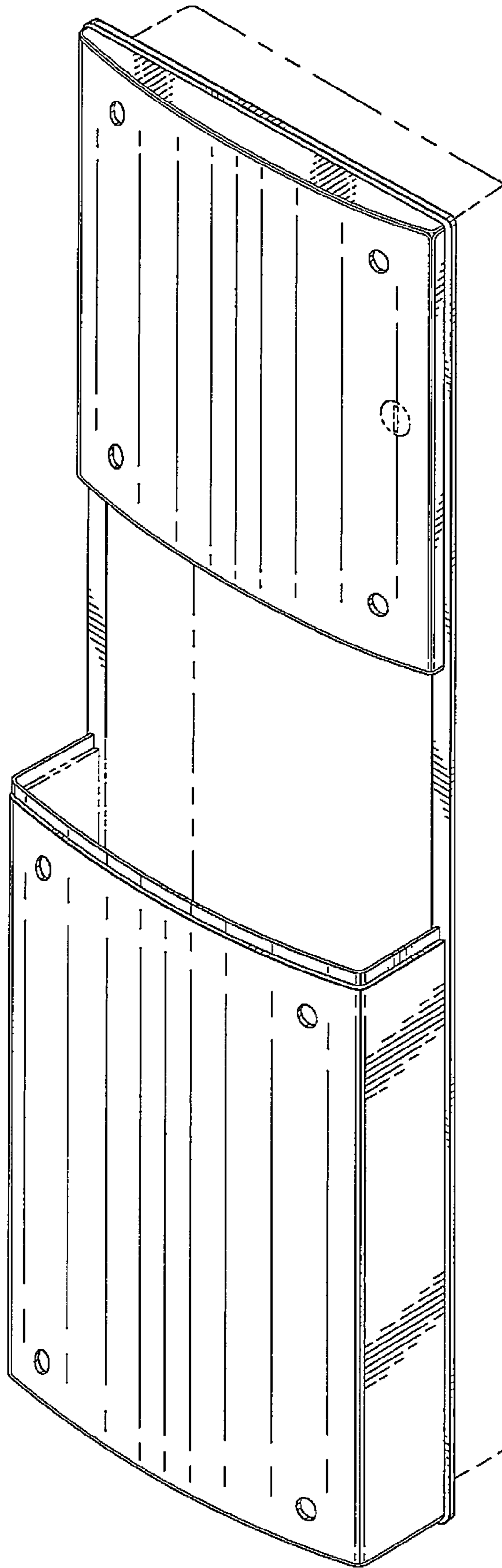
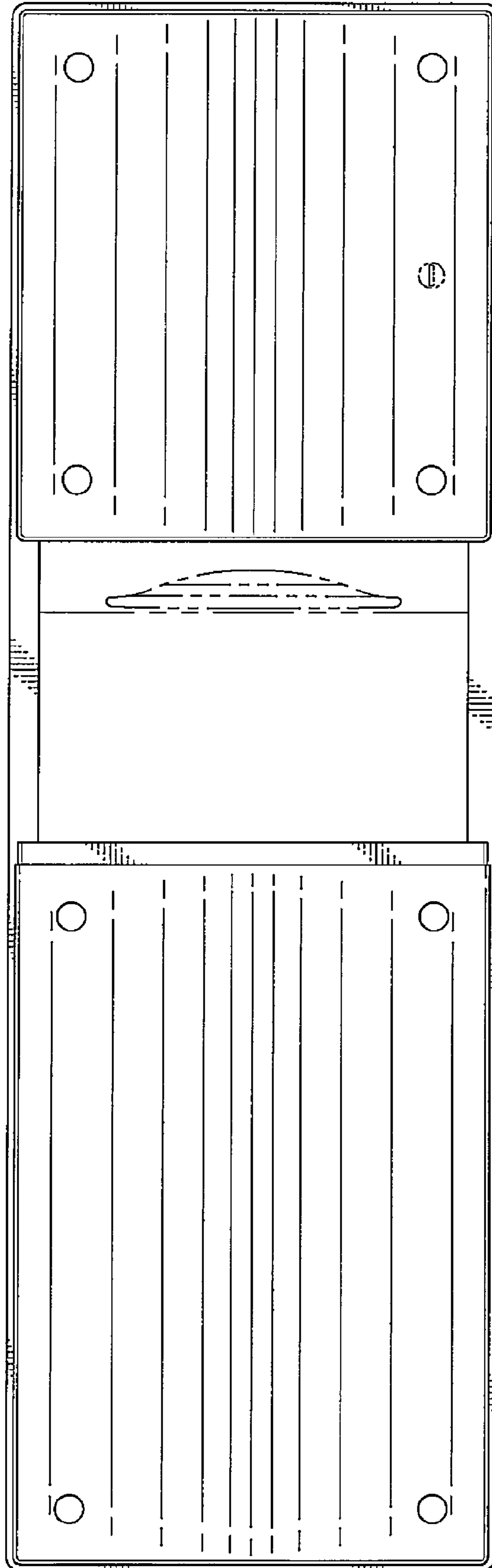


FIG. 2



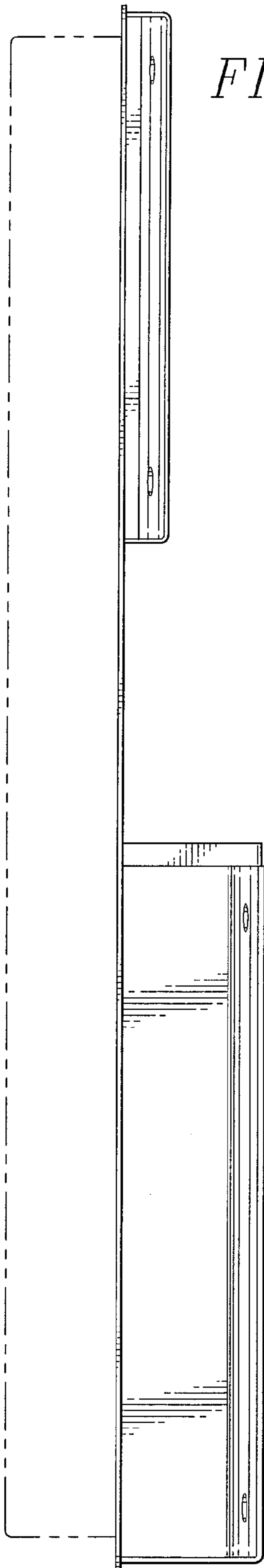


FIG. 3

FIG. 4

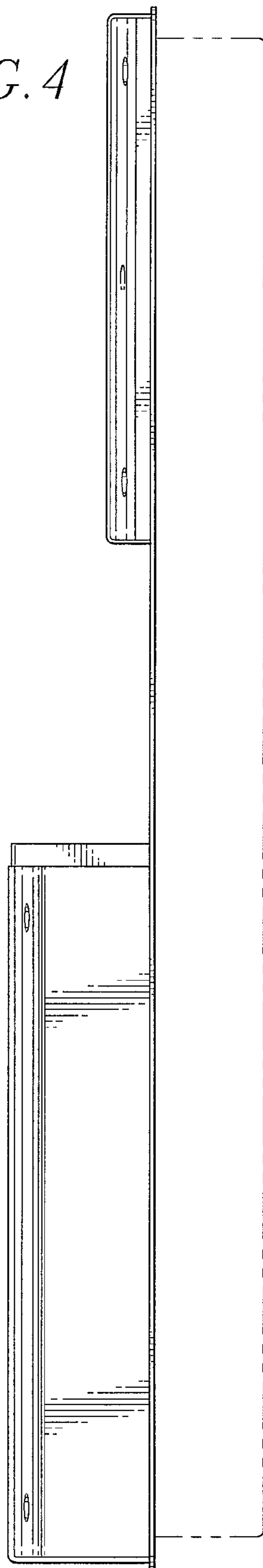


FIG. 5

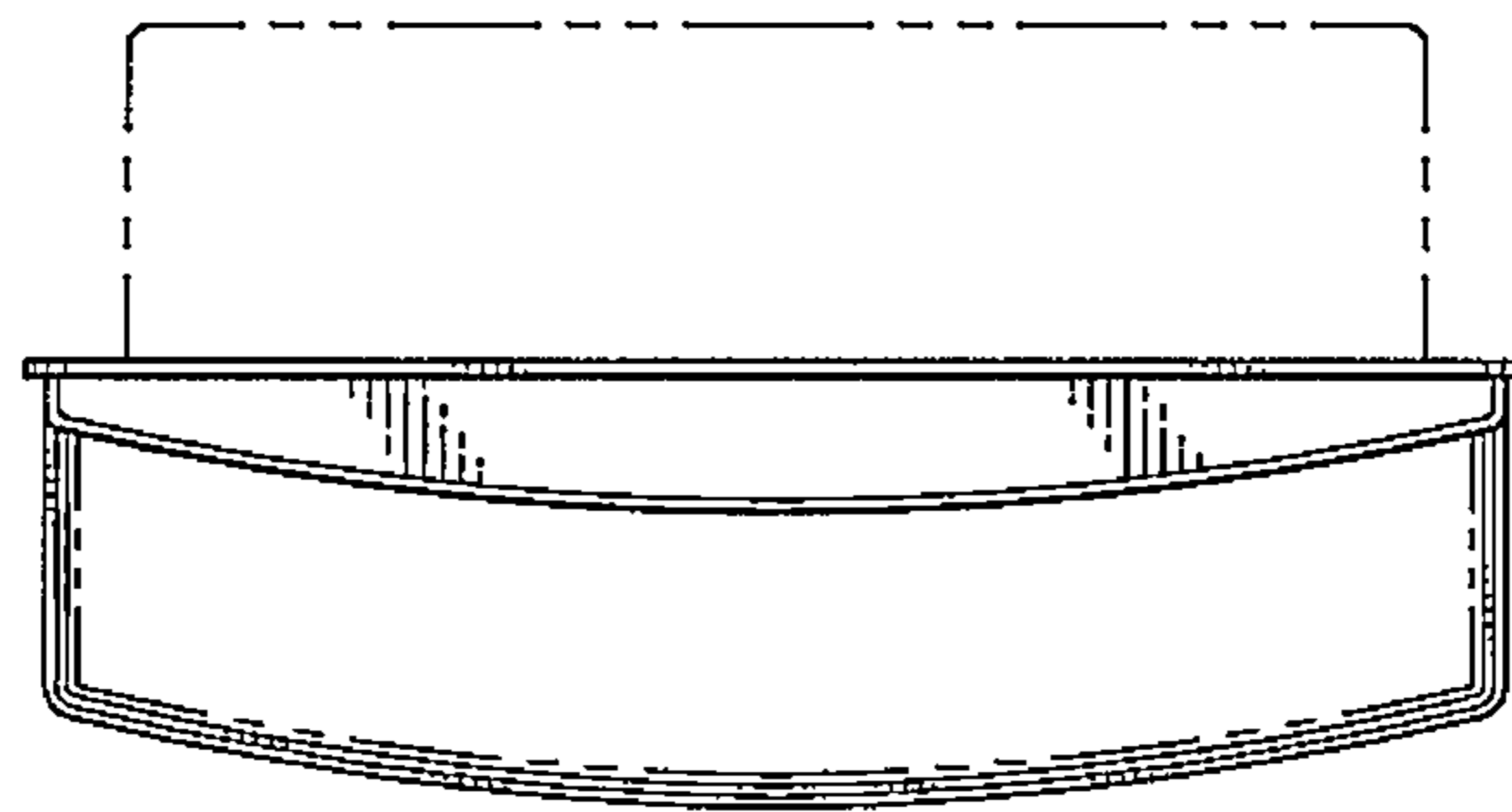


FIG. 6

