



US00D735488S

(12) **United States Design Patent**
Page et al.

(10) **Patent No.:** **US D735,488 S**
(45) **Date of Patent:** **** Aug. 4, 2015**

(54) **DISPENSING APPARATUS FOR CUSHIONING WRAP MATERIAL**

FOREIGN PATENT DOCUMENTS

(71) Applicant: **Ranpak Corp.**, Concord Township, OH (US)

DE 40 26 895 A1 2/1992
DE 100 13 290 A1 9/2001
FR 2 367 012 5/1978
WO WO 2009/014110 A1 1/2009

(72) Inventors: **Brandon Cadette Page**, Durham, NC (US); **Marcelo Miller Passos**, Morrisville, NC (US); **Jacob Daniel Wills**, Clayton, NC (US)

* cited by examiner

Primary Examiner — Brian N Vinson

(74) *Attorney, Agent, or Firm* — Renner, Otto, Boisselle & Sklar, LLP

(73) Assignee: **RankPak Corp.**, Painesville, OH (US)

(**) Term: **14 Years**

(57) **CLAIM**

The ornamental design for a dispensing apparatus for cushioning wrap material, as shown and described.

(21) Appl. No.: **29/459,852**

(22) Filed: **Jul. 3, 2013**

(51) **LOC (10) Cl.** **20-02**

(52) **U.S. Cl.**

USPC **D6/518**

(58) **Field of Classification Search**

USPC D6/515, 518; D34/10; 206/390, 397, 206/409, 303; 220/908, 909, 403, 404, 407; 53/549, 567, 576; D7/354, 357, 677, D7/359

See application file for complete search history.

DESCRIPTION

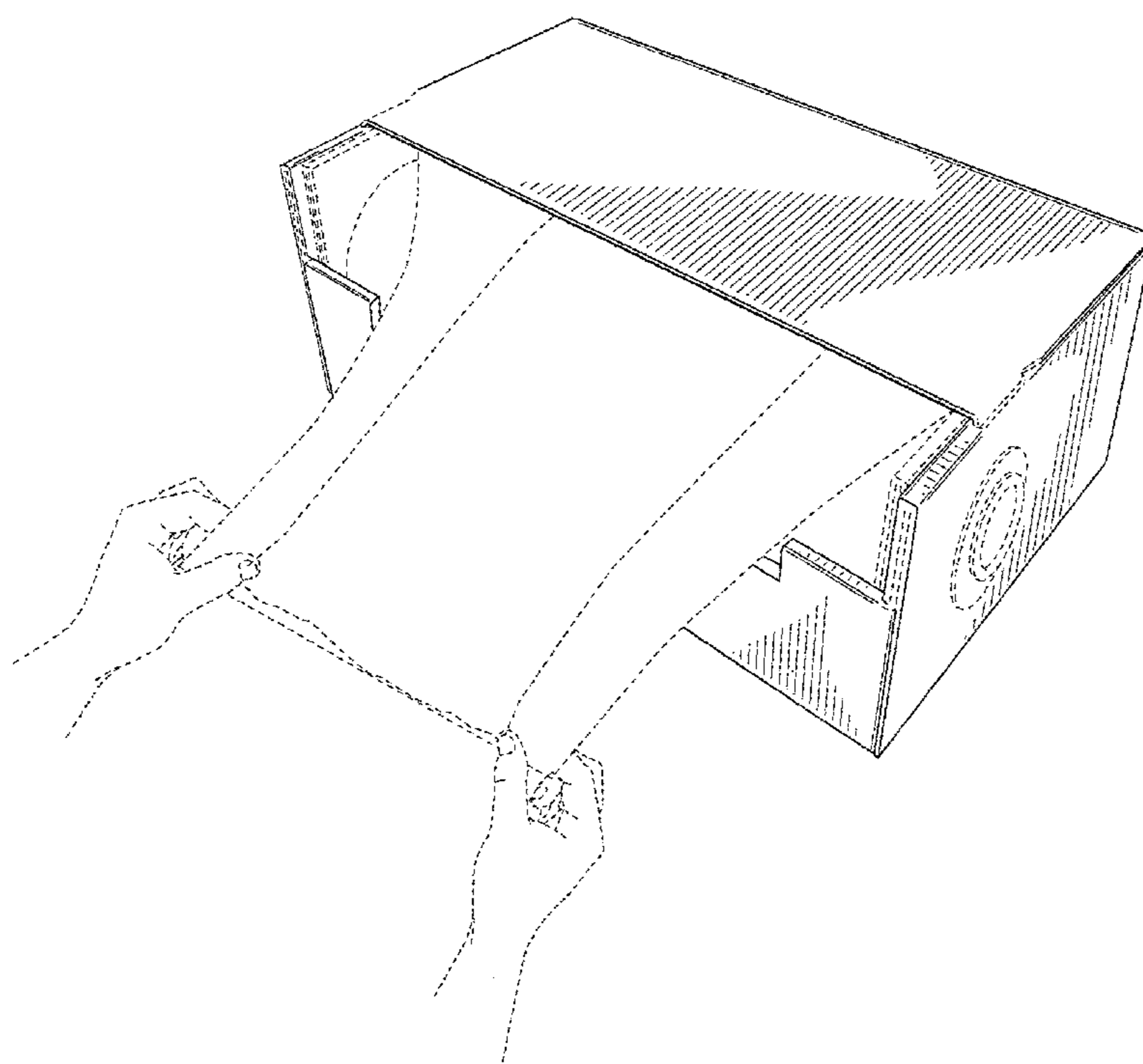
FIG. 1 is a front perspective view of a dispensing apparatus for cushioning wrap material showing our new design; FIG. 2 is a front view thereof; FIG. 3 is a rear view thereof; opposite that shown in FIG. 2; FIG. 4 is a side view thereof; FIG. 5 is a side view thereof; opposite that shown in FIG. 4; FIG. 6 is a top plan view thereof; FIG. 7 is a front perspective view thereof with the cover in an open position; and, FIG. 8 is an additional front perspective view thereof, with the broken-line disclosure representing both environment for illustrative purposes only and portions of the apparatus which form no part of the claimed design.

(56) **References Cited**

U.S. PATENT DOCUMENTS

2,848,104 A 8/1958 Schor et al.
D511,918 S * 11/2005 Miller D6/518
D637,027 S * 5/2011 Withers D6/518
D690,126 S * 9/2013 Ogawa D6/518

1 Claim, 6 Drawing Sheets



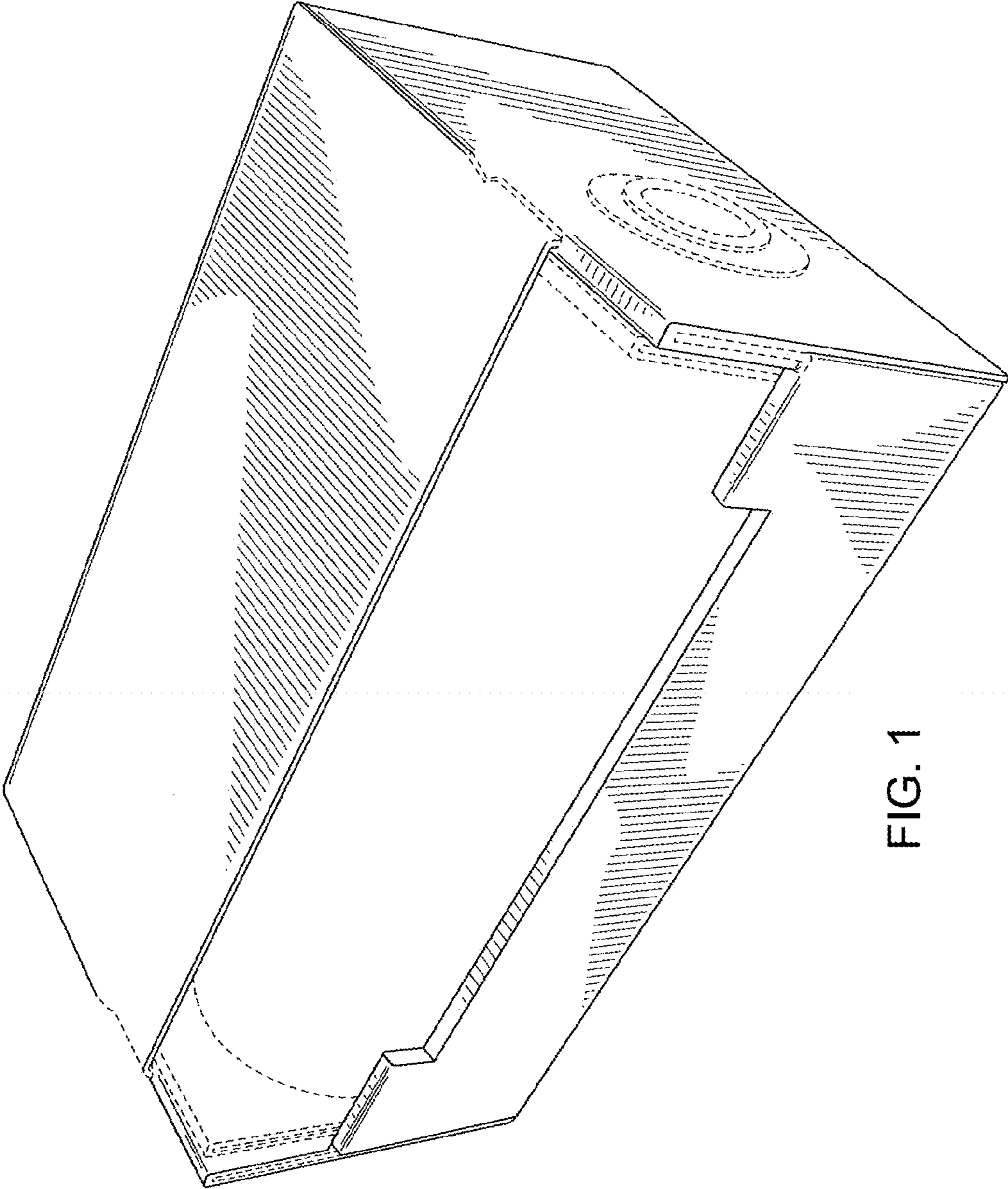


FIG. 1

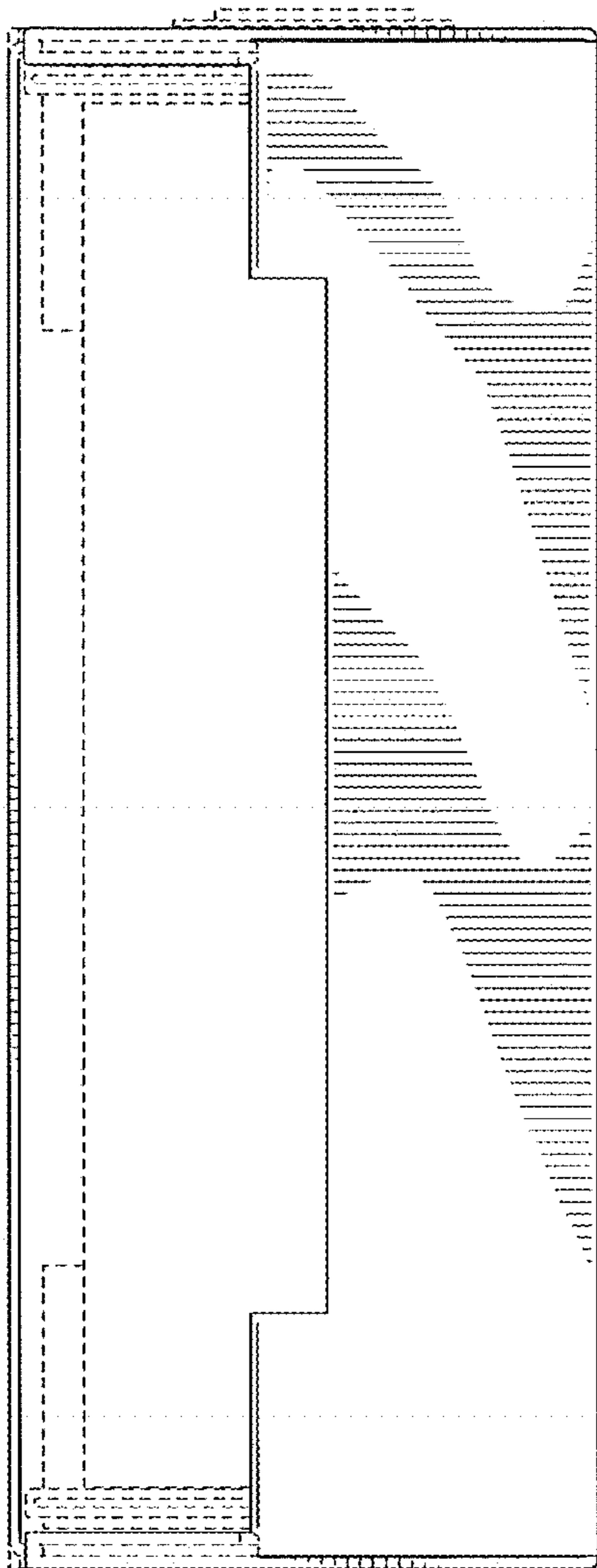


FIG. 2

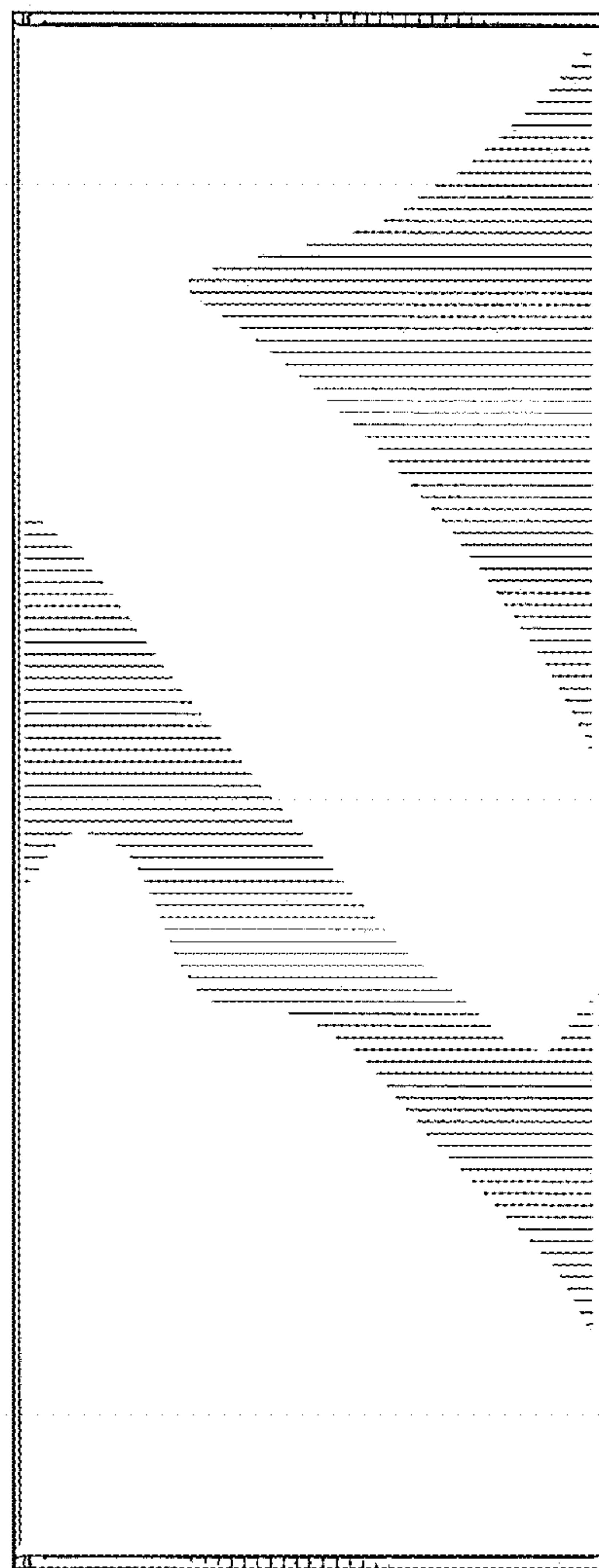


FIG. 3

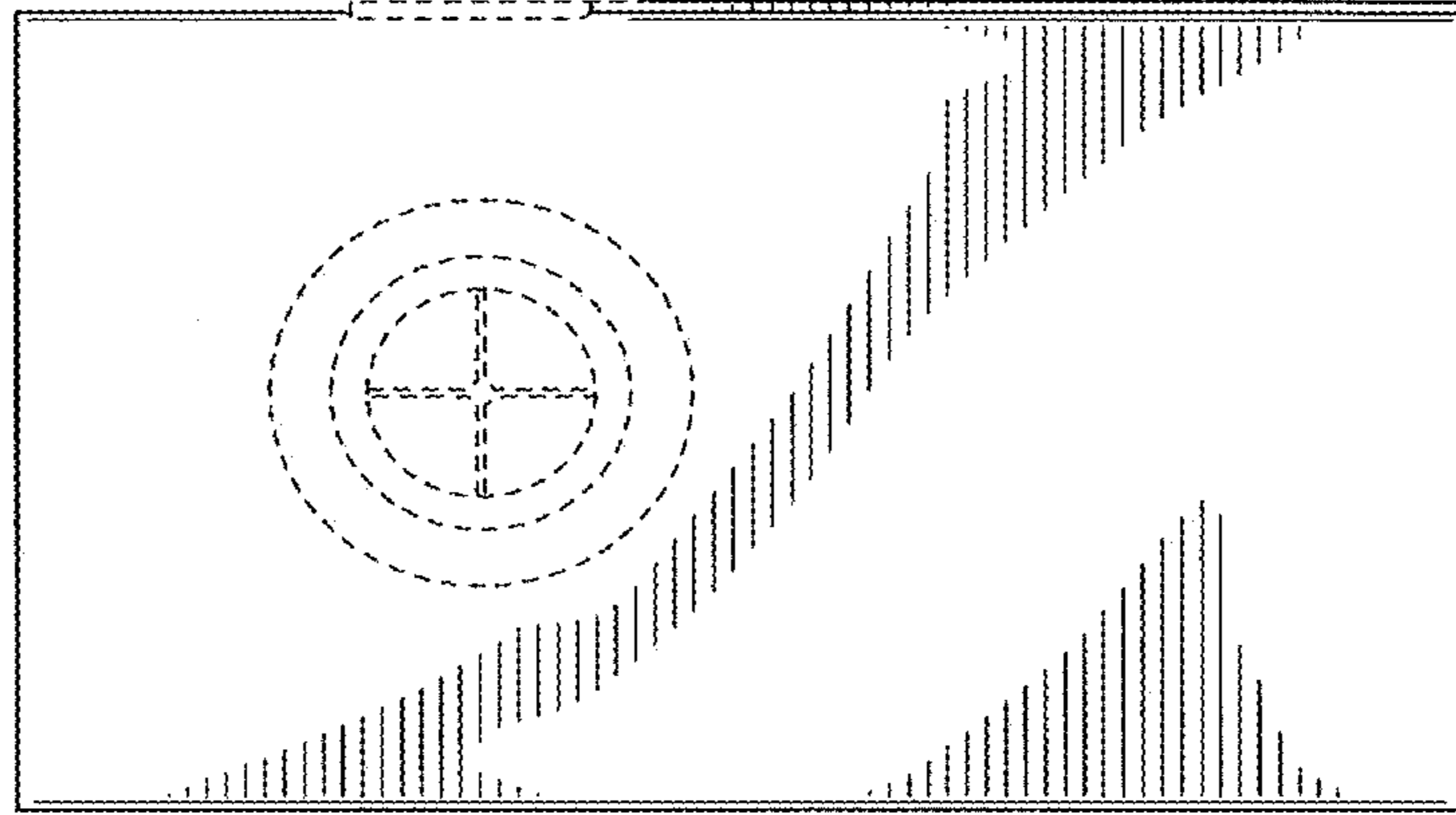


FIG. 4

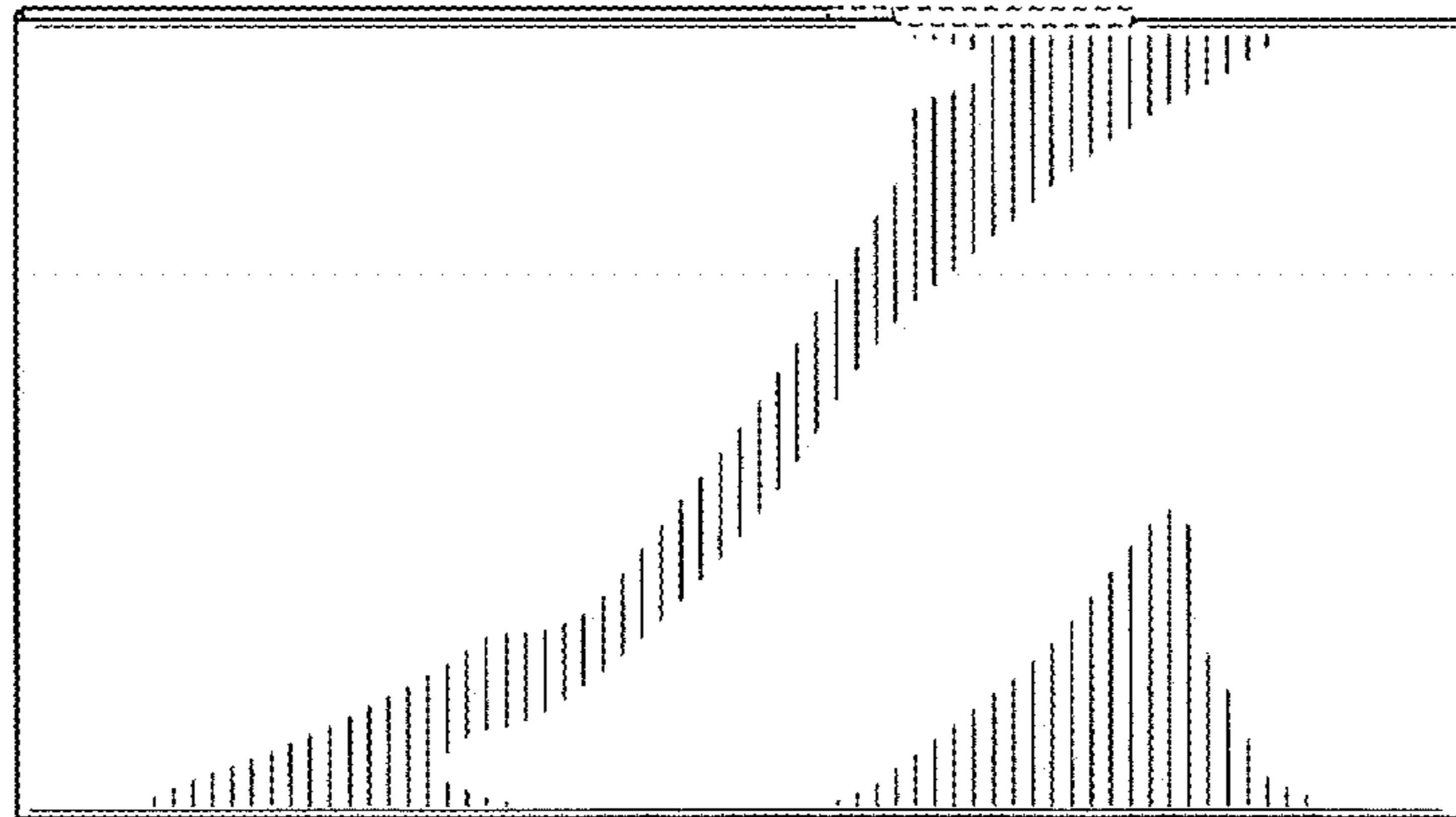


FIG. 5

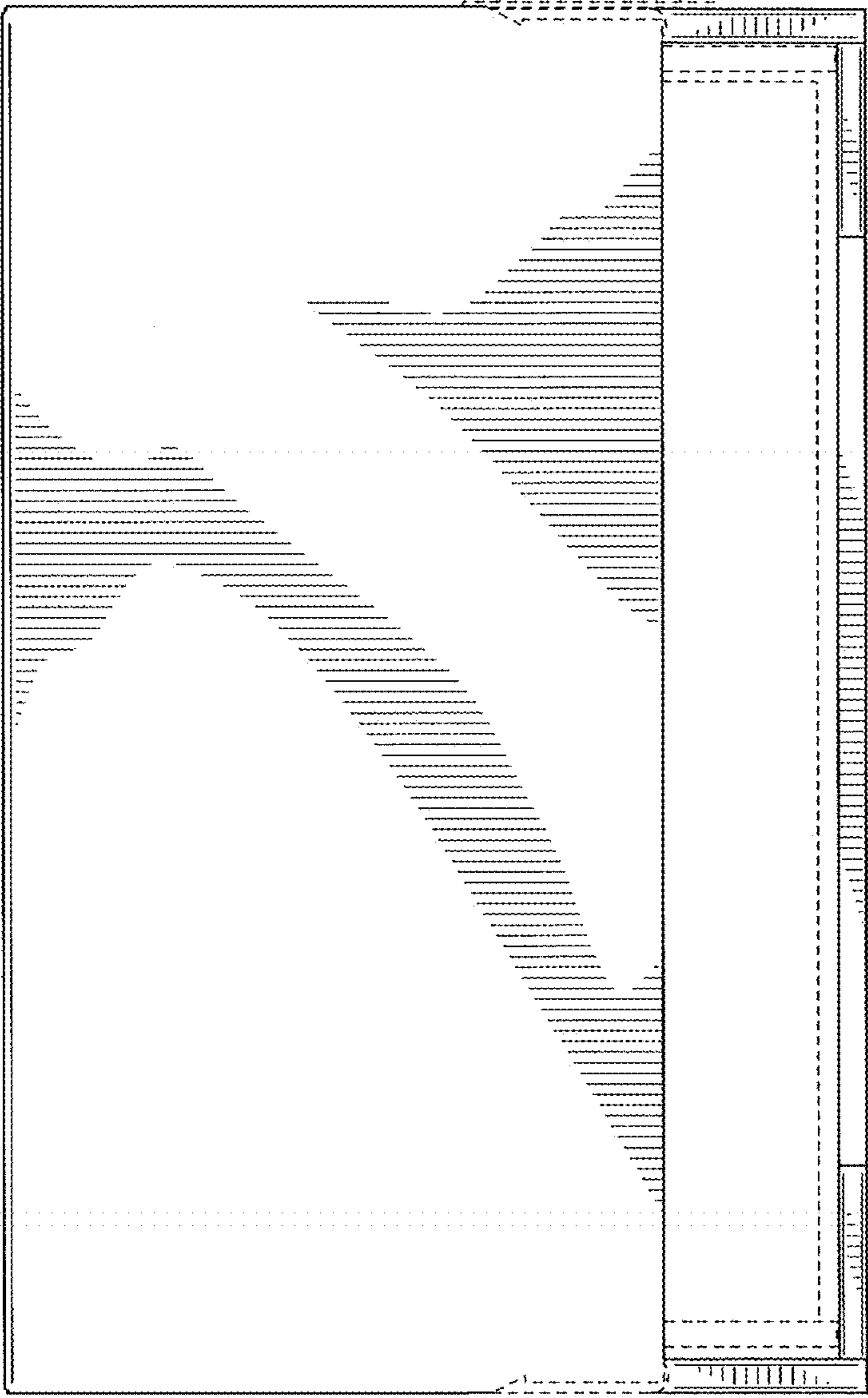


FIG. 6

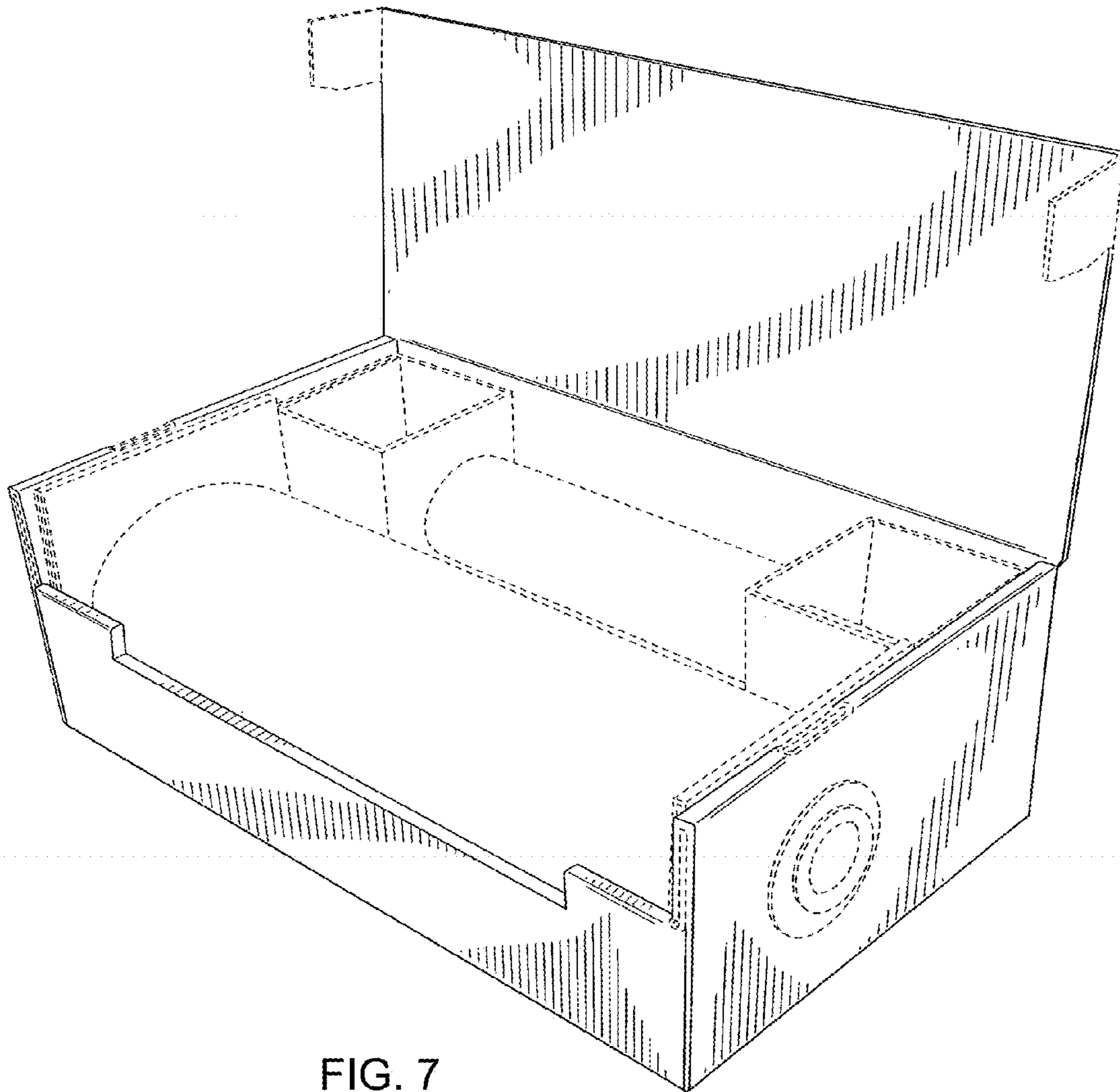


FIG. 7

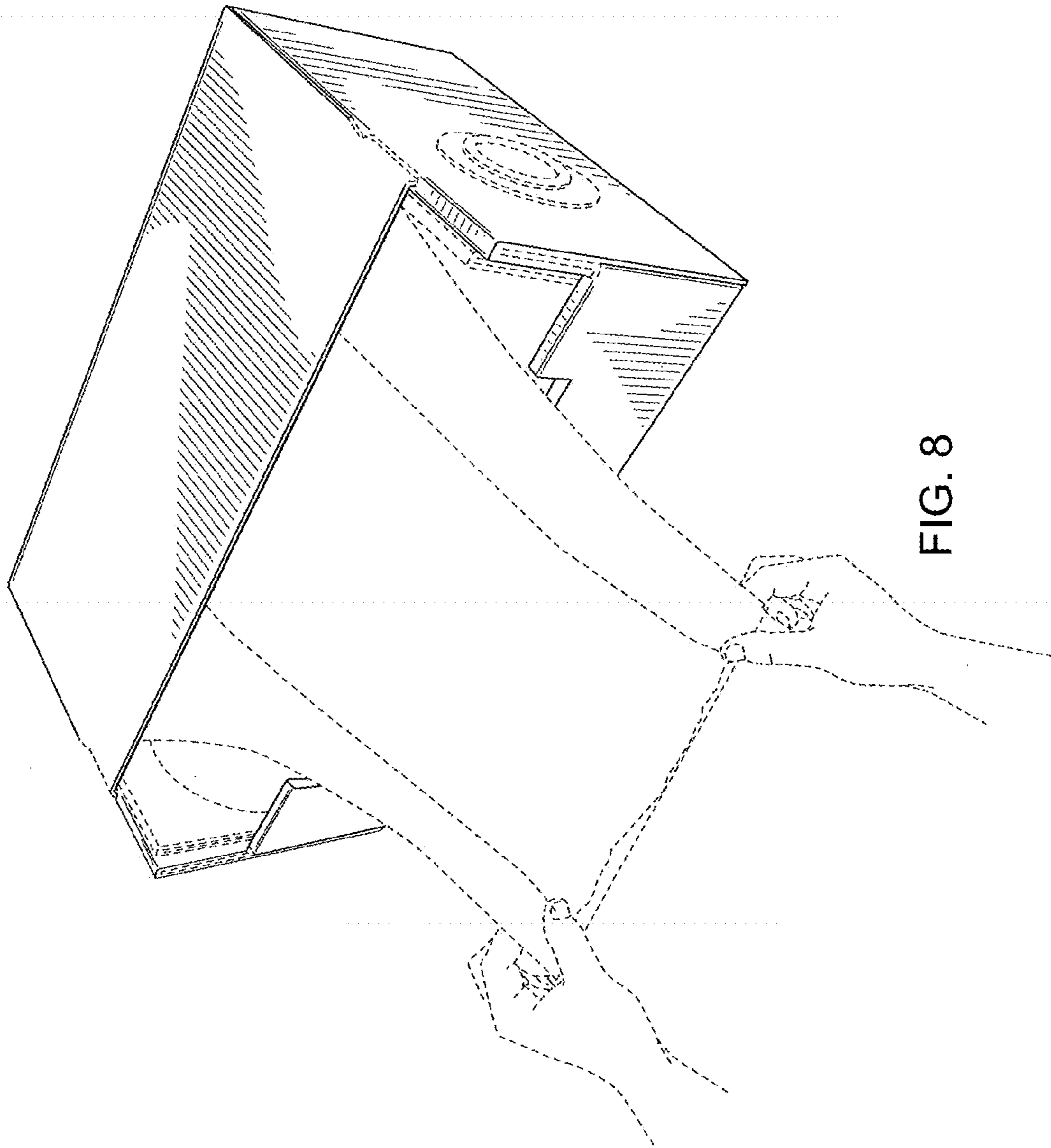


FIG. 8

UNITED STATES PATENT AND TRADEMARK OFFICE
CERTIFICATE OF CORRECTION

PATENT NO. : D735,488 S
APPLICATION NO. : 29/459852
DATED : August 4, 2015
INVENTOR(S) : Page et al.

Page 1 of 1

It is certified that error appears in the above-identified patent and that said Letters Patent is hereby corrected as shown below:

On the title page item 73 please delete "RankPak" before Corp. and insert --Ranpak-- such that Item (73) reads:

--(73) Assignee: Ranpak Corp., Painesville, OH (US)--

Signed and Sealed this
Eighth Day of March, 2016



Michelle K. Lee
Director of the United States Patent and Trademark Office