



US00D735487S

(12) **United States Design Patent**  
**Marino**

(10) **Patent No.:** **US D735,487 S**

(45) **Date of Patent:** **\*\* Aug. 4, 2015**

(54) **DISPENSER STAND**

(71) Applicant: **Marino Custom Woodworking, Inc.**,  
Topsfield, MA (US)

(72) Inventor: **Joseph L. Marino**, Saugus, MA (US)

(73) Assignee: **MARINO CUSTOM DISPLAY**  
**WOODWORKING, INC.**, Topsfield,  
MA (US)

(\*\*) Term: **14 Years**

(21) Appl. No.: **29/464,990**

(22) Filed: **Aug. 22, 2013**

(51) **LOC (10) Cl.** ..... **20-02**

(52) **U.S. Cl.**  
USPC ..... **D6/515**

(58) **Field of Classification Search**  
USPC ..... D6/515-523, 545, 329, 396, 397, 408,  
D6/410, 449; 206/225, 233, 389, 391;  
211/13.1, 45; 242/570, 590; 221/26,  
221/33, 282-283; 222/173, 180; 248/309.1,  
248/309.2, 905

See application file for complete search history.

(56) **References Cited**

**U.S. PATENT DOCUMENTS**

D414,059 S \* 9/1999 Scholey et al. .... D6/515  
D435,379 S \* 12/2000 Nguyen ..... D6/515

D449,496 S \* 10/2001 Tramontina ..... D7/631  
D458,485 S \* 6/2002 Tramontina ..... D6/515  
D462,218 S \* 9/2002 DeKoning et al. .... D6/545  
D463,183 S \* 9/2002 Tramontina ..... D6/515  
D604,974 S \* 12/2009 Morrison et al. .... D6/515  
D620,735 S \* 8/2010 Schmidt et al. .... D6/545  
D647,742 S \* 11/2011 Pourian ..... D6/515  
D671,346 S \* 11/2012 Zlatic et al. .... D6/545  
D674,212 S \* 1/2013 Sinotte et al. .... D6/515  
D675,037 S \* 1/2013 Sinotte et al. .... D6/515  
D690,958 S \* 10/2013 Orton ..... D6/515

\* cited by examiner

*Primary Examiner* — Brian N Vinson

(74) *Attorney, Agent, or Firm* — Coleman & MacDonald  
Law Office

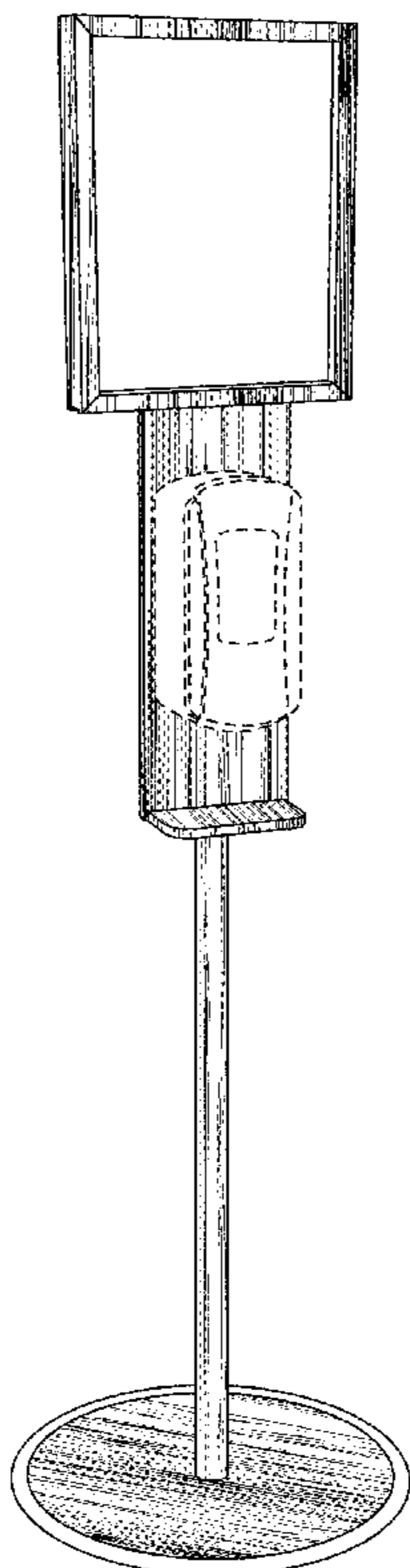
(57) **CLAIM**

The ornamental design of a dispenser stand, as shown and  
described.

**DESCRIPTION**

FIG. 1 is a perspective view of a dispenser stand showing my  
new design;  
FIG. 2 is a front side view of the dispenser stand of FIG. 1;  
FIG. 3 is a rear side view of the dispenser stand of FIG. 1;  
FIG. 4 is a left end view of the dispenser stand of FIG. 1;  
FIG. 5 is a right end view of the dispenser stand of FIG. 1;  
FIG. 6 is a top view of the dispenser stand of FIG. 1; and,  
FIG. 7 is a bottom view of the dispenser stand of FIG. 1.  
The broken lines included in the Figures are for illustrative  
purposes only and form no part of the claimed design.

**1 Claim, 6 Drawing Sheets**



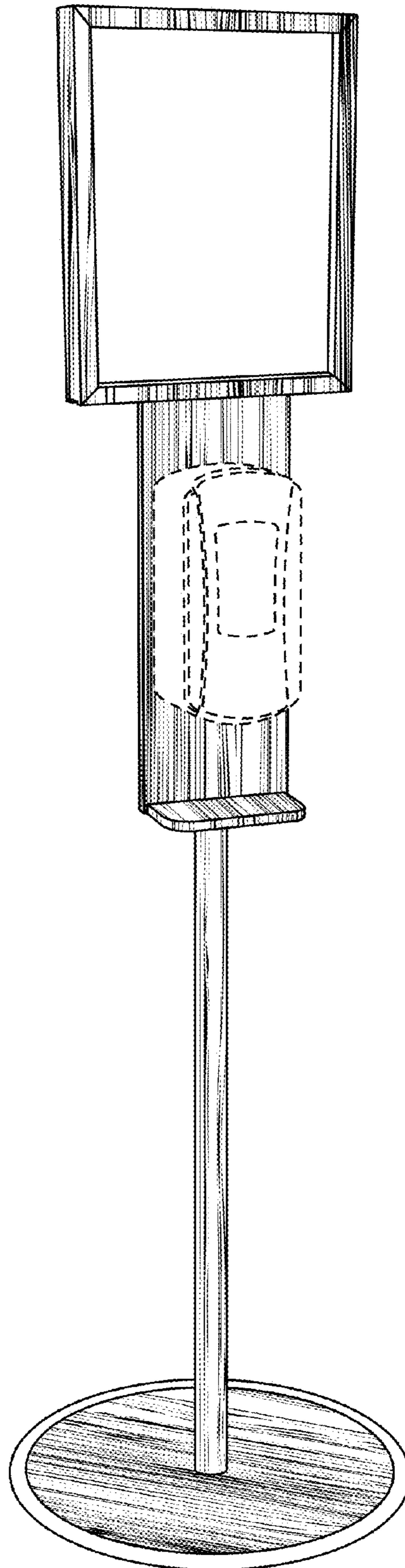


FIG. 1

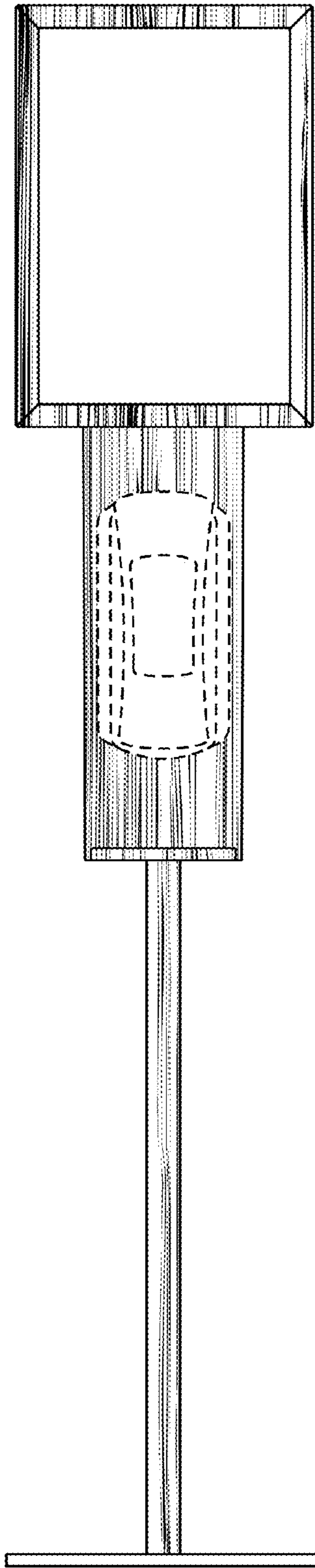


FIG. 2

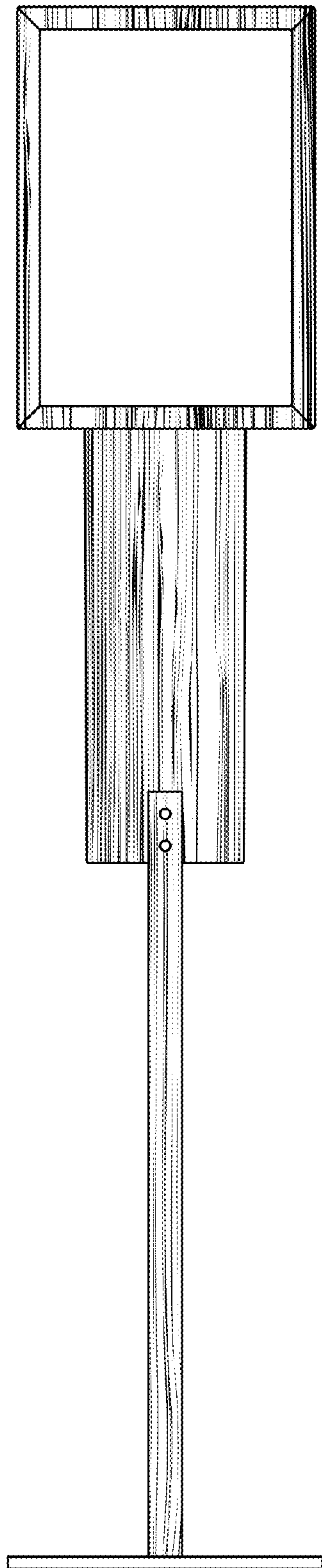


FIG. 3

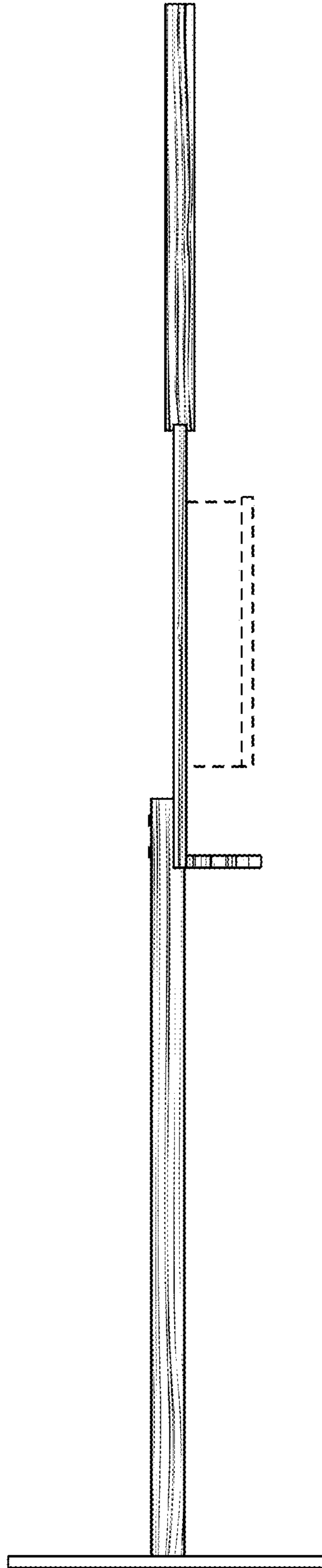


FIG. 4

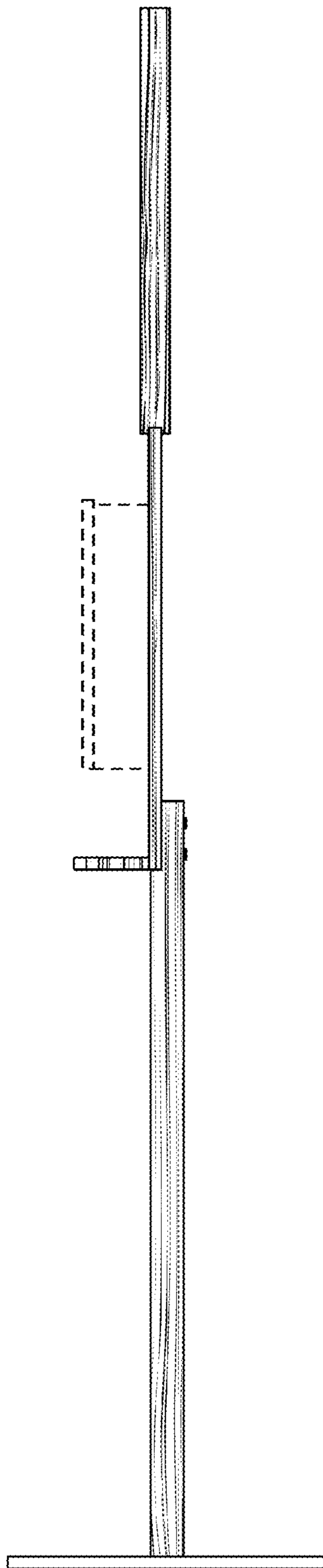


FIG. 5



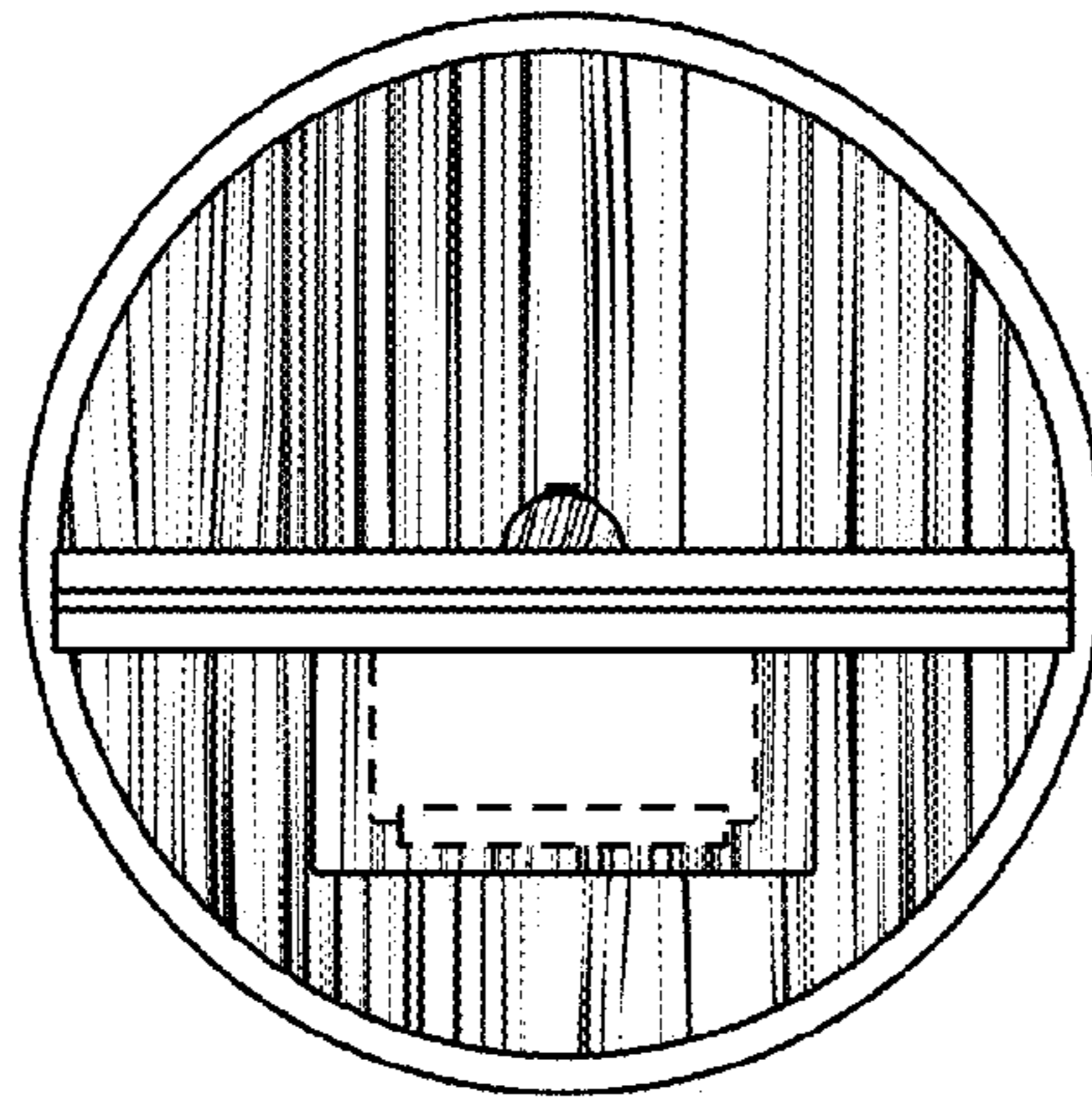


FIG. 6

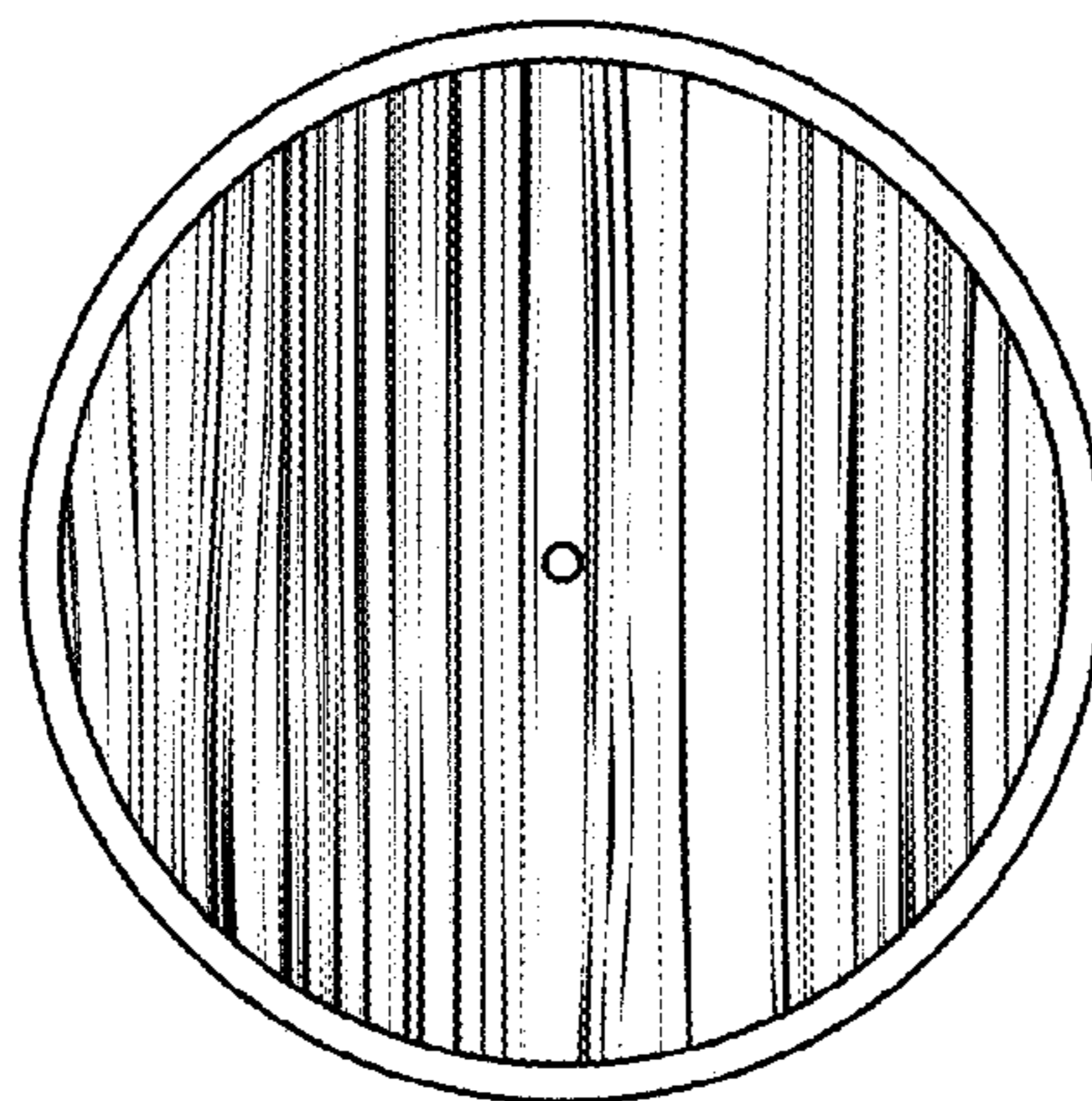


FIG. 7