



US00D735486S

(12) **United States Design Patent**  
**Norguet**

(10) **Patent No.:** **US D735,486 S**  
(45) **Date of Patent:** **\*\* Aug. 4, 2015**

(54) **CHAIR**

(71) Applicant: **TOLIX STEEL DESIGN**, Autun (FR)

(72) Inventor: **Patrick Norguet**, Paris (FR)

(73) Assignee: **Tolix Steel Design**, Autun (FR)

(\*\*) Term: **14 Years**

(21) Appl. No.: **29/492,501**

(22) Filed: **May 30, 2014**

(51) **LOC (10) Cl.** ..... **06-01**

(52) **U.S. Cl.**  
USPC ..... **D6/375; D6/379**

(58) **Field of Classification Search**  
USPC ..... D6/334, 335, 336, 366, 371, 372, 373,  
D6/374, 375, 379, 380, 716, 716.1, 716.2,  
D6/716.3, 716.4  
CPC ..... A47C 5/04; A47C 7/022; A47C 7/283;  
A47C 7/40; B60N 2/4673  
See application file for complete search history.

(56) **References Cited**

**U.S. PATENT DOCUMENTS**

D193,708 S	*	10/1962	Keown	.....	D6/375
D205,658 S	*	9/1966	Muller	.....	D6/374
3,396,933 A	*	8/1968	Ward	.....	A47C 4/03
D334,296 S	*	3/1993	Hutton	.....	D6/374

D395,758 S	*	7/1998	Hutton	.....	D6/334
D478,430 S	*	8/2003	Olson	.....	D6/380
D498,069 S	*	11/2004	Kreiss	.....	D6/380
D515,325 S	*	2/2006	Goldman	.....	D6/375
D526,146 S	*	8/2006	Kita	.....	D6/716
D562,581 S	*	2/2008	Marin	.....	D6/374
D670,098 S	*	11/2012	Urquiola	.....	D6/375
D676,690 S	*	2/2013	Pheasant	.....	D6/716.4
D690,950 S	*	10/2013	Lievore et al.	.....	D6/375
D690,975 S	*	10/2013	Lievore et al.	.....	D6/716
D709,711 S	*	7/2014	Citterio	.....	D6/379

\* cited by examiner

*Primary Examiner* — Mimosa De

(74) *Attorney, Agent, or Firm* — Patent Law Works LLP

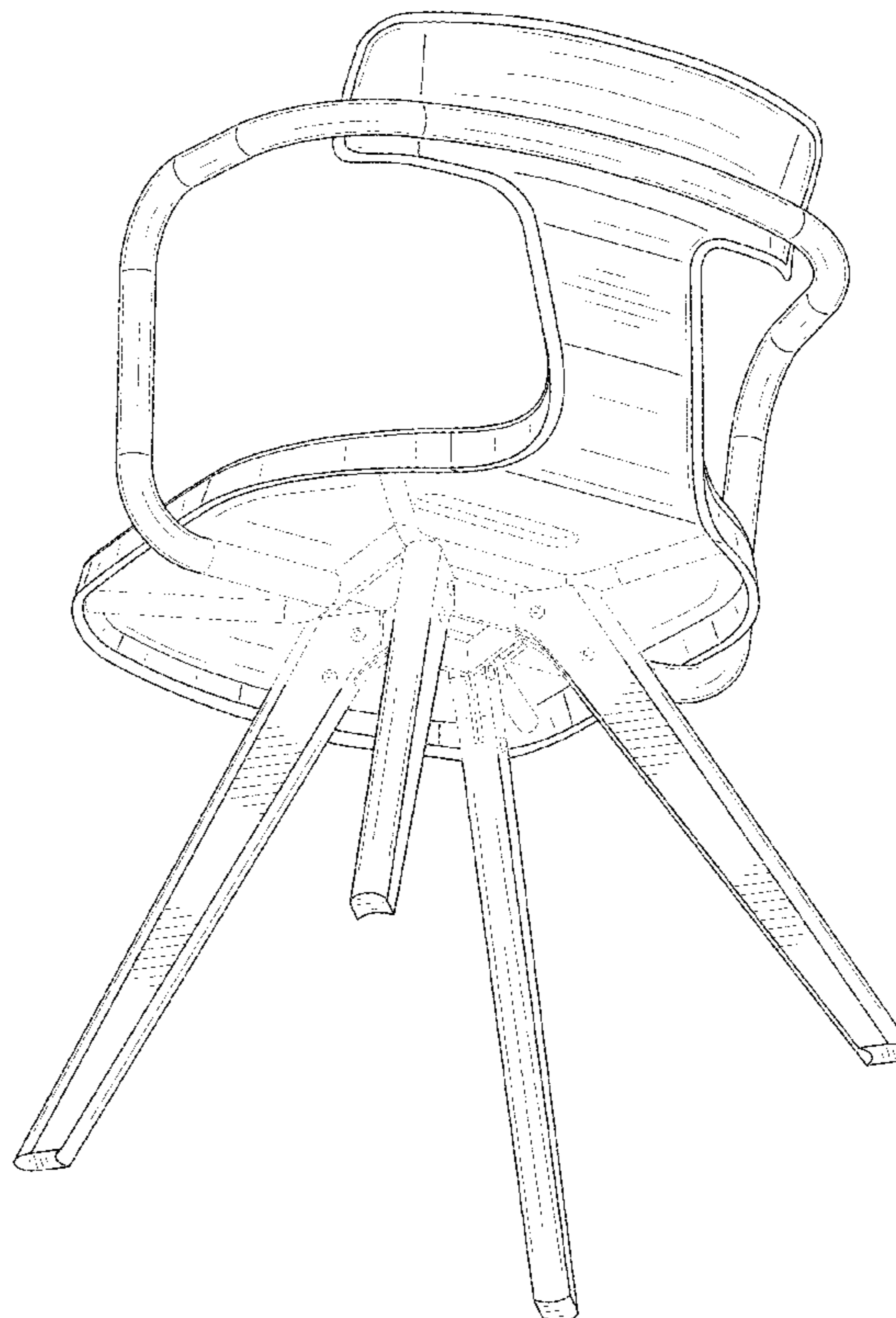
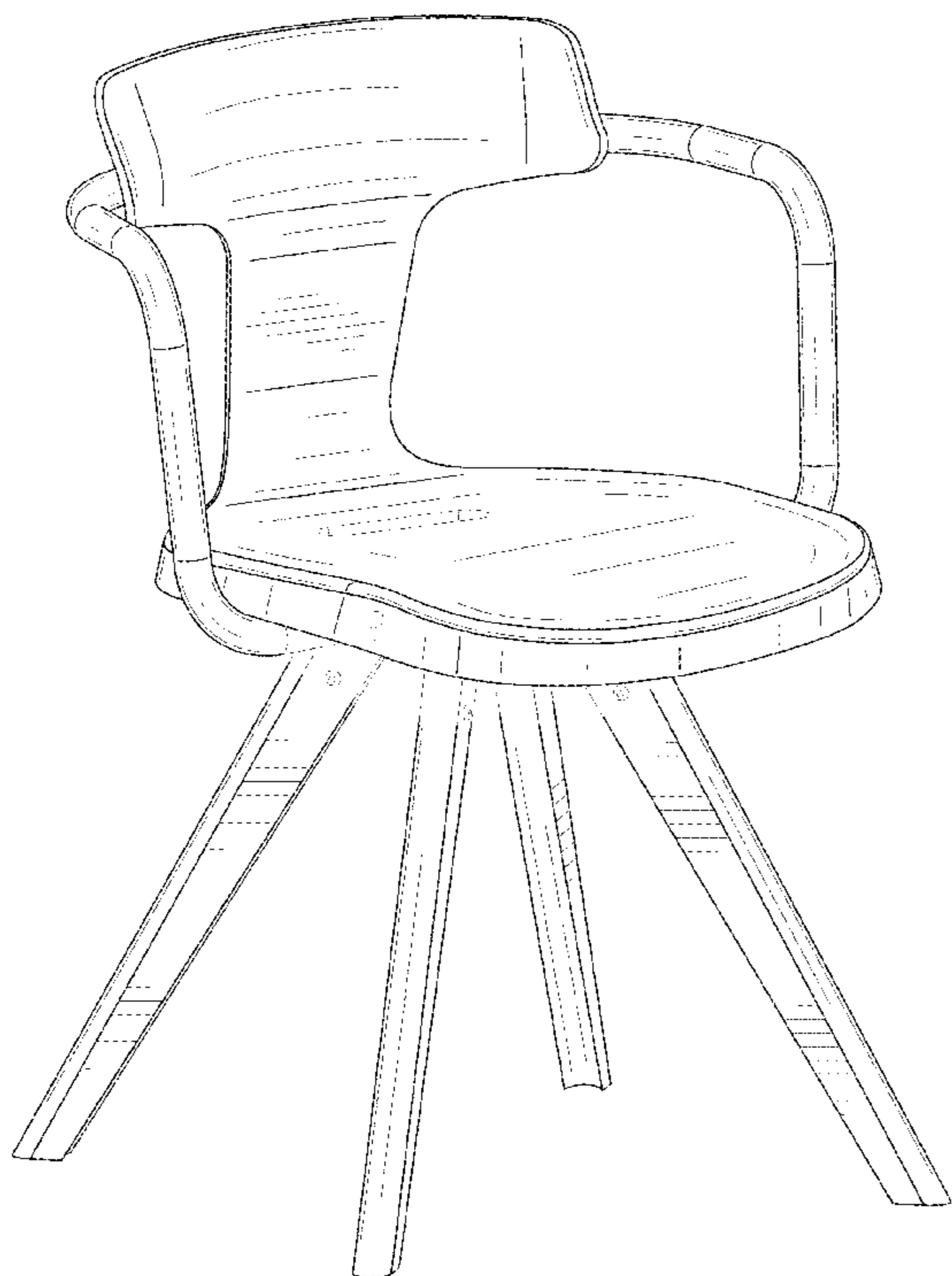
(57) **CLAIM**

The ornamental design for a chair, as shown and described.

**DESCRIPTION**

FIG. 1 is an upper perspective view of the chair;  
FIG. 2 is a lower perspective view thereof;  
FIG. 3 is a top view thereof;  
FIG. 4 is a bottom view thereof;  
FIG. 5 is a left-side view thereof, the right-side being substantially a mirror image thereof;  
FIG. 6 is a front view thereof; and,  
FIG. 7 is a back view thereof.  
The broken lines in the drawings depict environmental subject matter only and form no part of the claimed design.

**1 Claim, 7 Drawing Sheets**



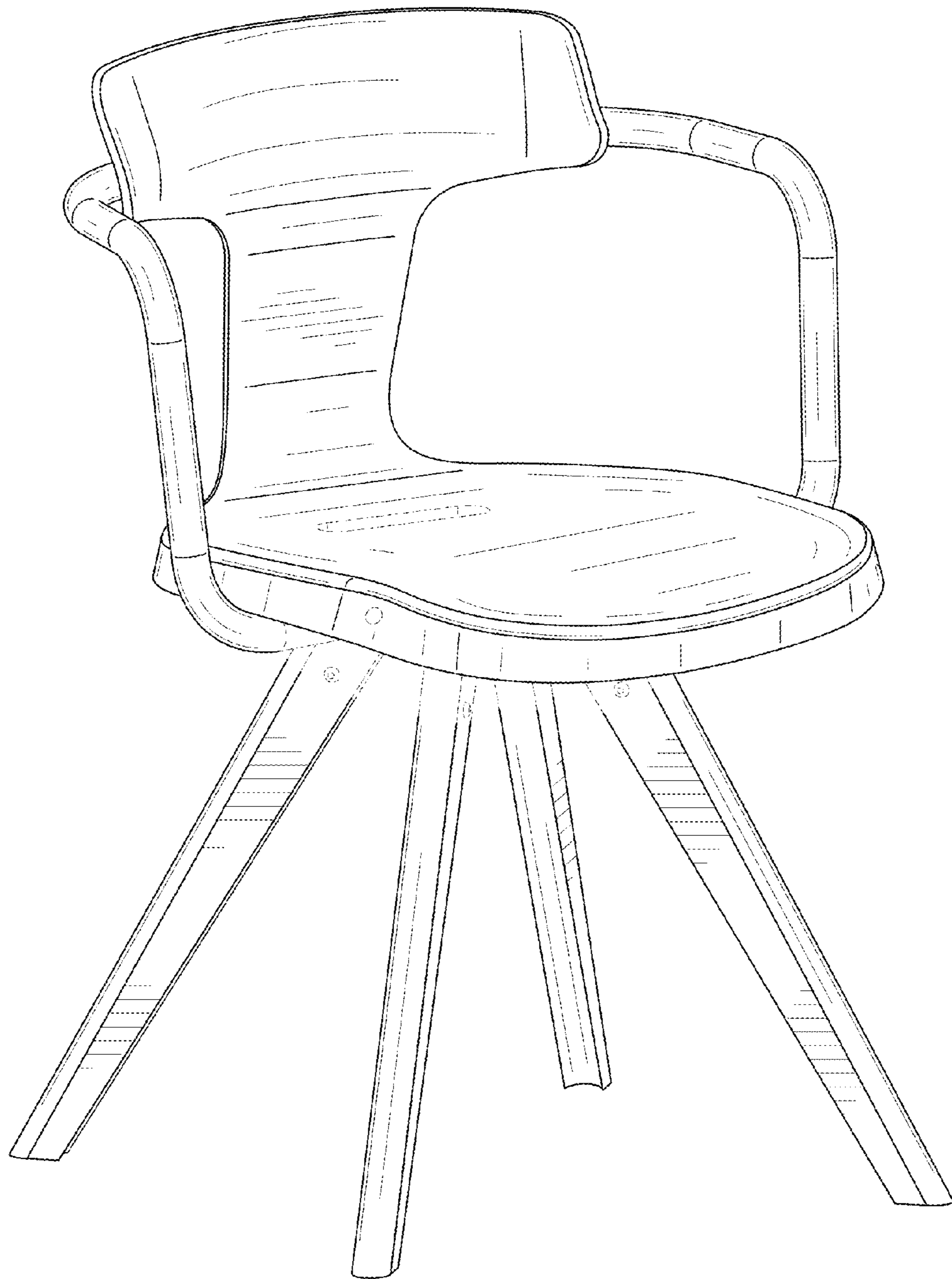


FIG. 1

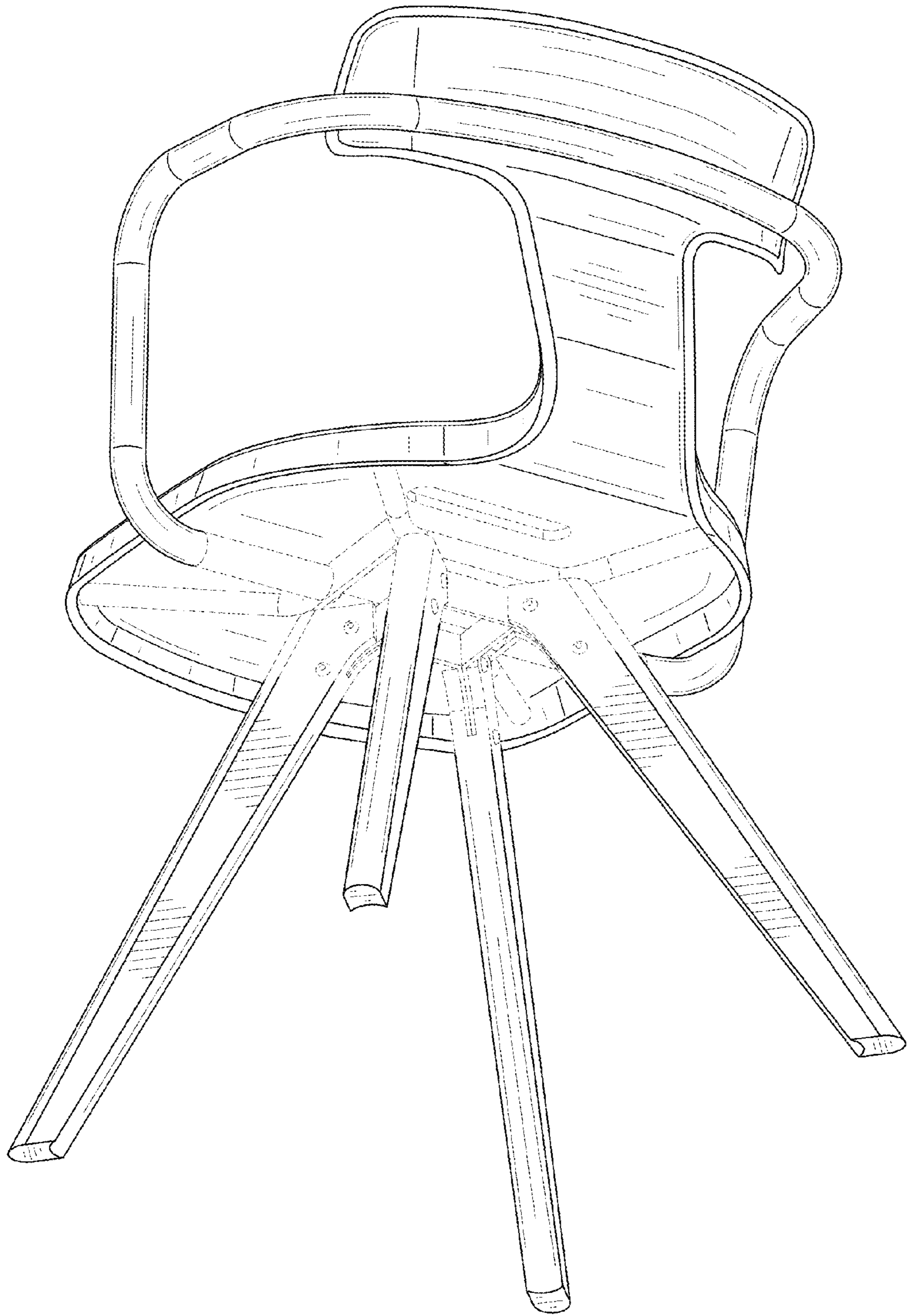


FIG. 2

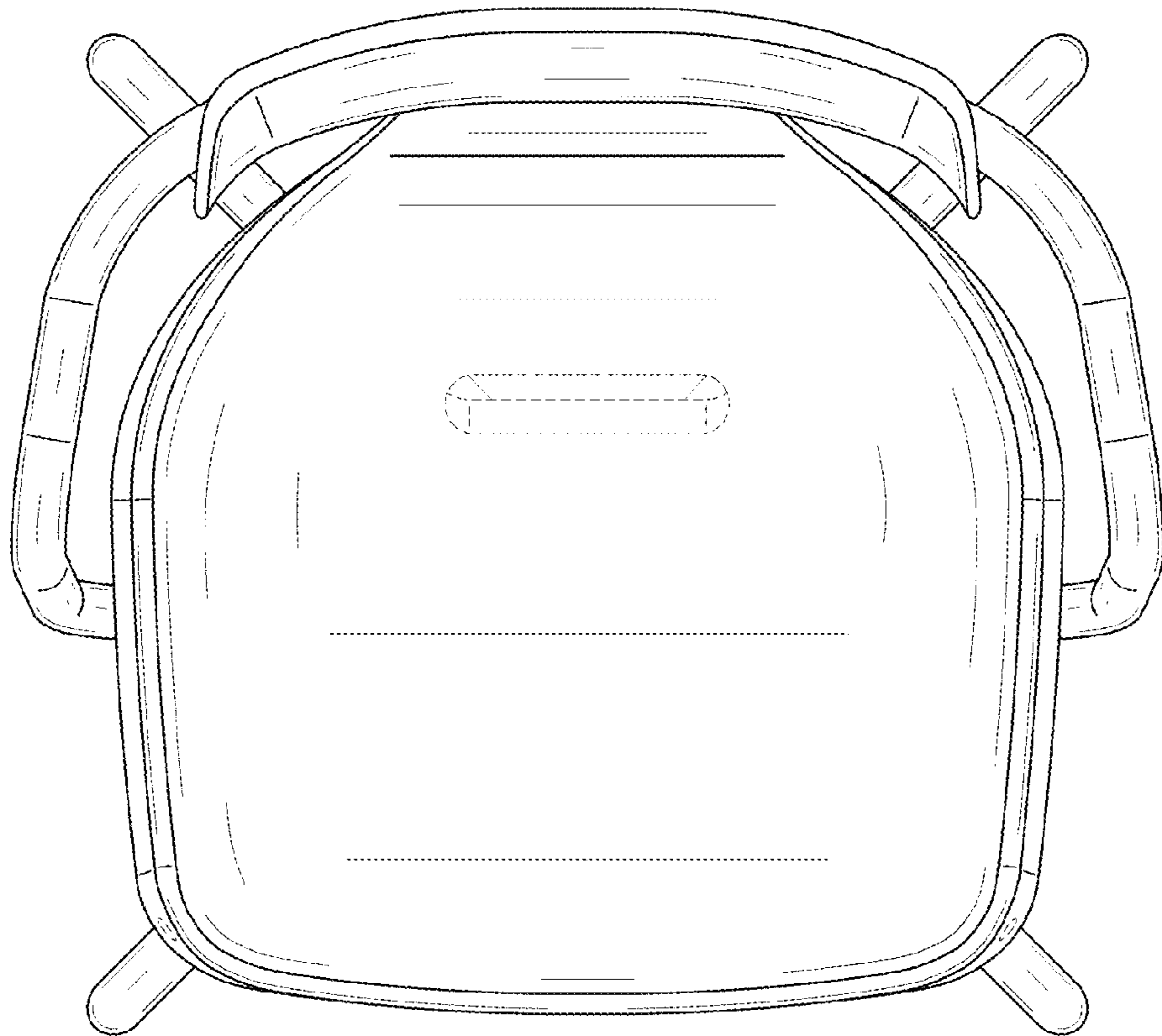


FIG. 3

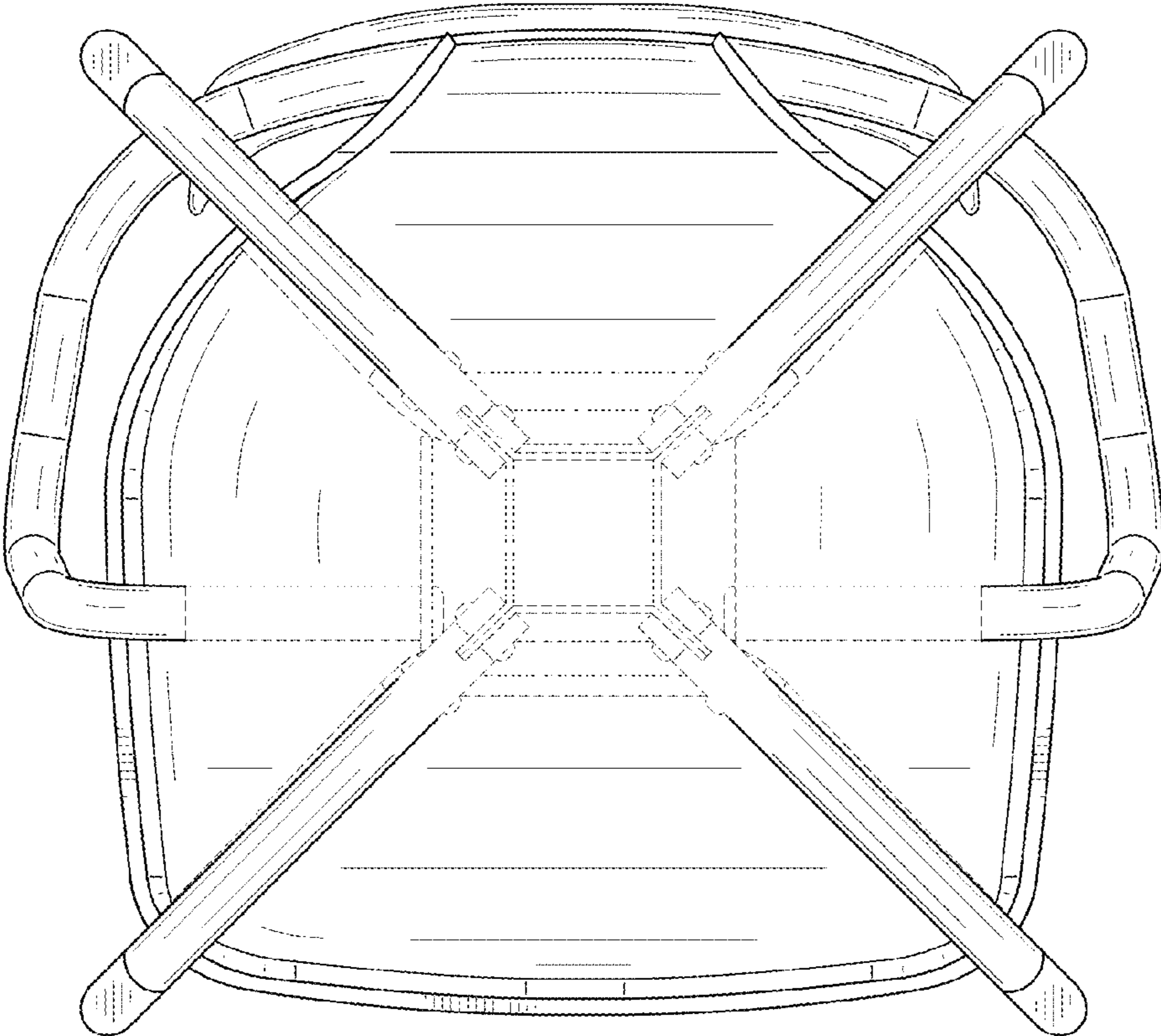


FIG. 4

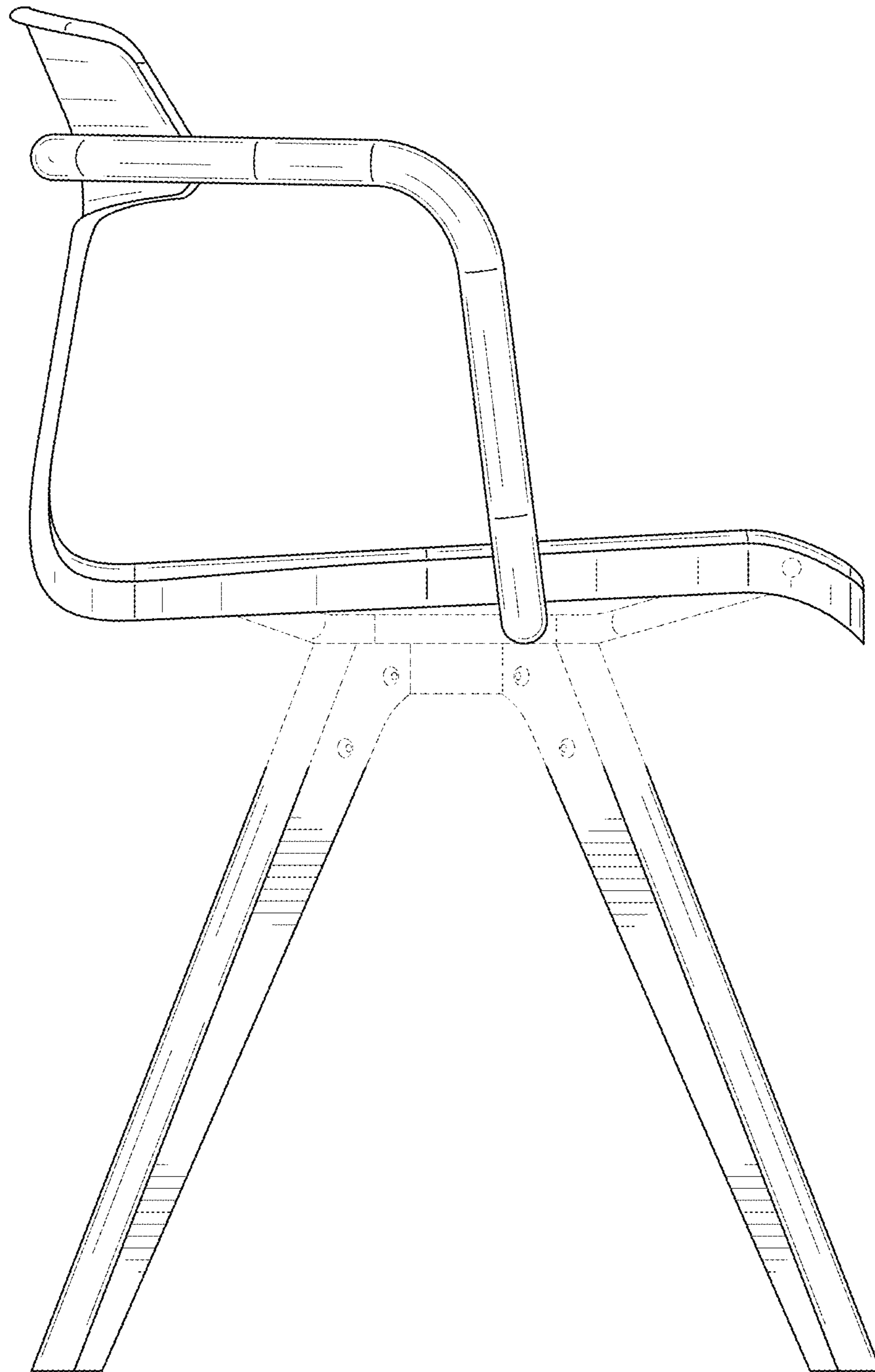


FIG. 5

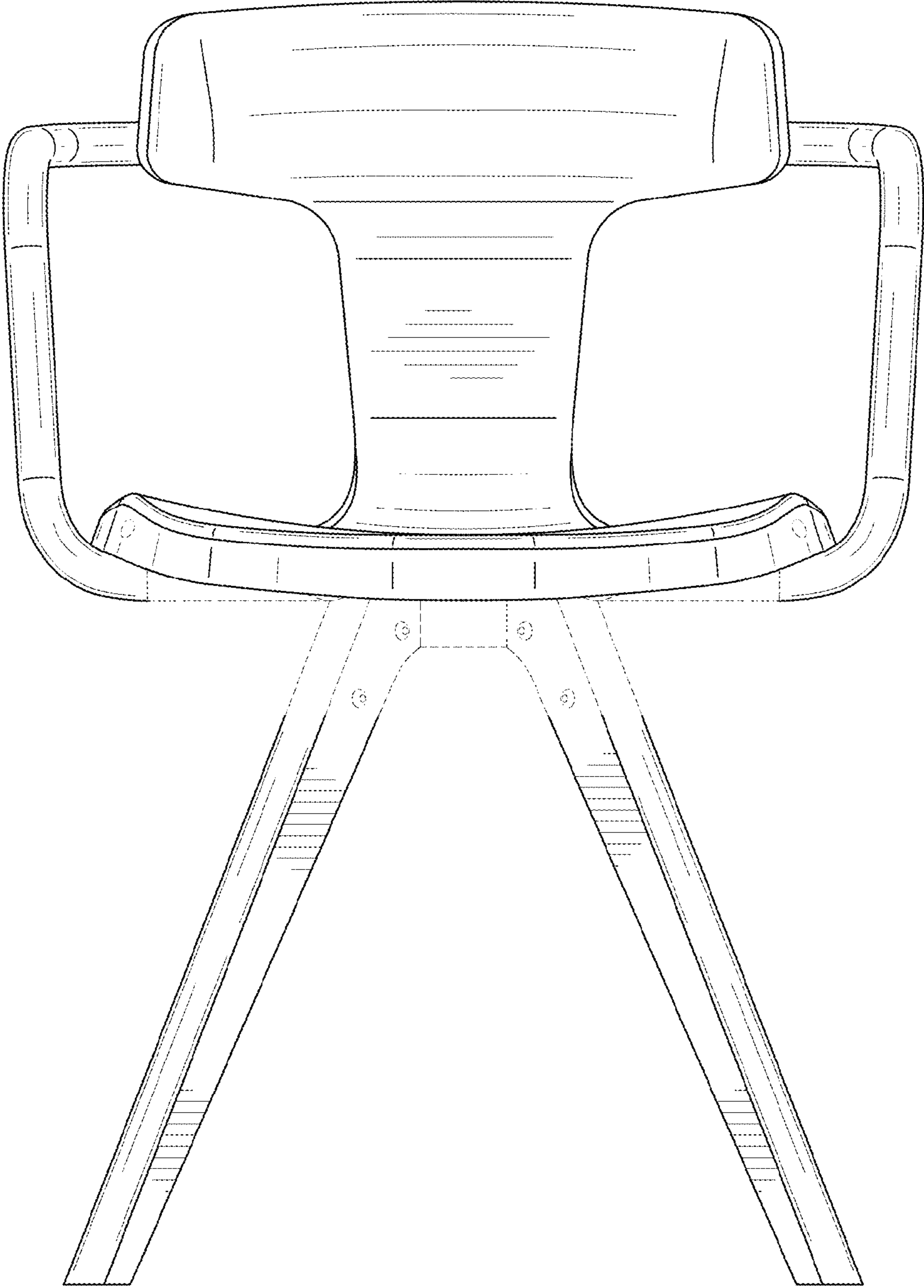


FIG. 6

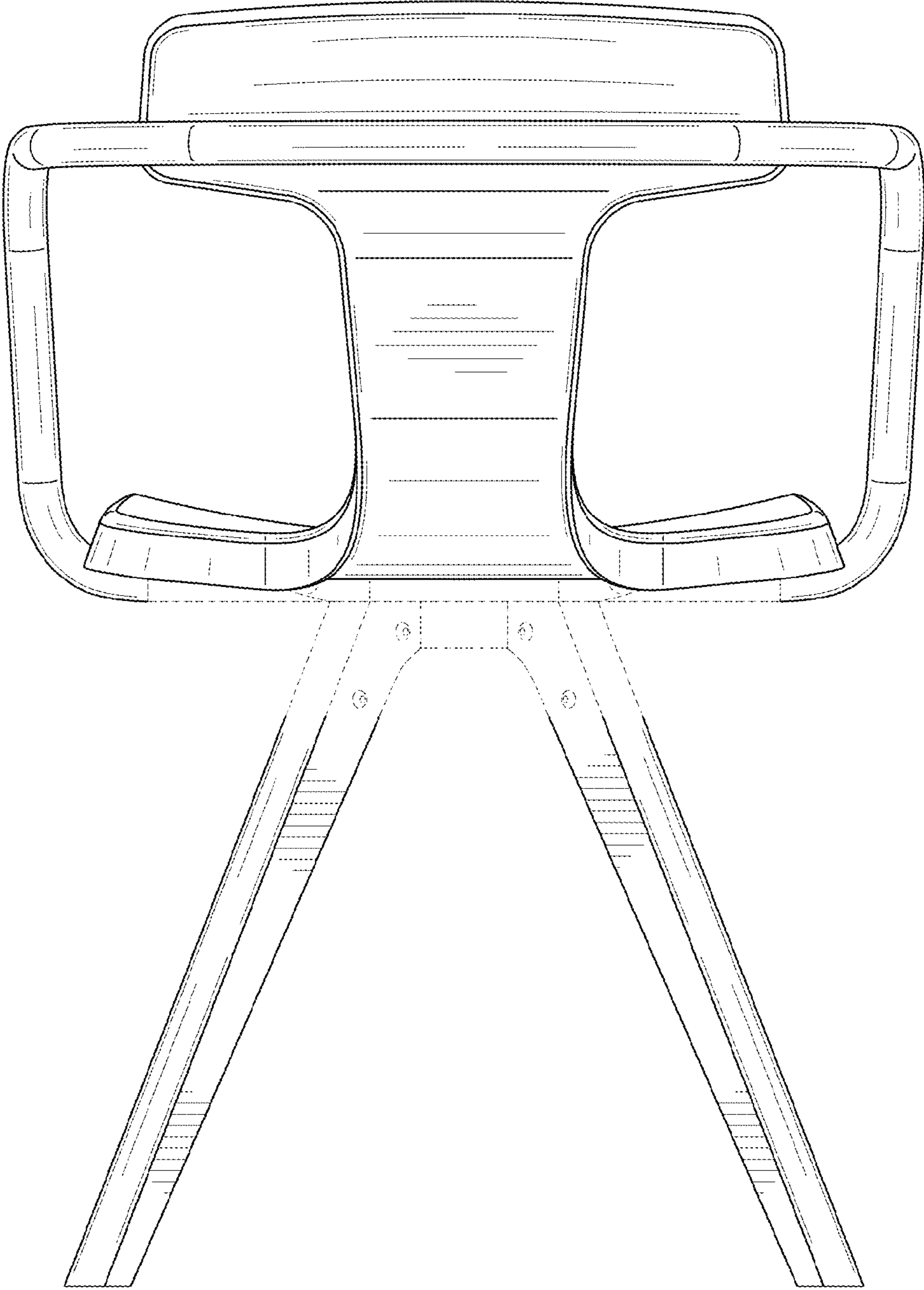


FIG. 7